



US00D889658S

(12) **United States Design Patent** (10) **Patent No.:** **US D889,658 S**  
**Achleitner et al.** (45) **Date of Patent:** **\*\* Jul. 7, 2020**

(54) **MEDICAL IMAGING SYSTEM**  
(71) Applicant: **Siemens Healthcare GmbH**, Erlangen (DE)  
(72) Inventors: **Roman Achleitner**, Nuremberg (DE); **Annke Osthues**, Munich (DE)  
(73) Assignee: **Siemens Healthcare GmbH**, Erlangen (DE)  
(\*\*) Term: **15 Years**

D658,762 S 5/2012 Yokoyama et al.  
D702,837 S 4/2014 Dinse et al.  
D786,440 S 5/2017 Boehner et al.  
D796,043 S 8/2017 Boehner et al.  
D868,260 S \* 11/2019 Achleitner ..... D24/158  
2008/0123819 A1 5/2008 Jensen et al.  
2012/0240841 A1\* 9/2012 Hu ..... A61B 6/4441  
116/284

\* cited by examiner  
*Primary Examiner* — Anhdao Doan  
(74) *Attorney, Agent, or Firm* — Schiff Hardin LLP

(21) Appl. No.: **29/693,192**  
(22) Filed: **May 31, 2019**

**Related U.S. Application Data**

(62) Division of application No. 29/633,224, filed on Jan. 12, 2018, now Pat. No. Des. 868,260.

**Foreign Application Priority Data**

Jul. 18, 2017 (EM) ..... 004109254

(51) **LOC (12) Cl.** ..... **24-01**  
(52) **U.S. Cl.**  
USPC ..... **D24/158**

(58) **Field of Classification Search**  
USPC ..... D24/107, 158–161, 185, 186, 187, 231  
CPC .. A61B 5/05; A61B 5/055; A61B 6/03; A61B 6/035; A61B 6/4405; A61B 6/4411; A61B 6/4435; A61B 6/4441; A61B 6/4447  
See application file for complete search history.

**References Cited**

**U.S. PATENT DOCUMENTS**

6,609,826 B1 8/2003 Fujii et al.  
D623,299 S \* 9/2010 Dietz ..... D24/158

(57) **CLAIM**

The ornamental design for a medical imaging system, as shown and described.

**DESCRIPTION**

The patent or application file contains at least one drawing executed in color. Copies of this patent or patent application publication with color drawing(s) will be provided by the Office upon request and payment of the necessary fee.

FIG. 1 is a front elevational view of a medical imaging system showing our new design;  
FIG. 2 is a back elevational view thereof;  
FIG. 3 is a top plan view thereof;  
FIG. 4 is a bottom plan view thereof;  
FIG. 5 is a left side elevational view thereof;  
FIG. 6 is a right side elevational view thereof; and,  
FIG. 7 is a perspective view taken generally from the front, left-hand side thereof.

The broken lines shown in the drawings represent portions of the medical imaging system that form no part of the claimed design.

**1 Claim, 7 Drawing Sheets**  
**(7 of 7 Drawing Sheet(s) Filed in Color)**

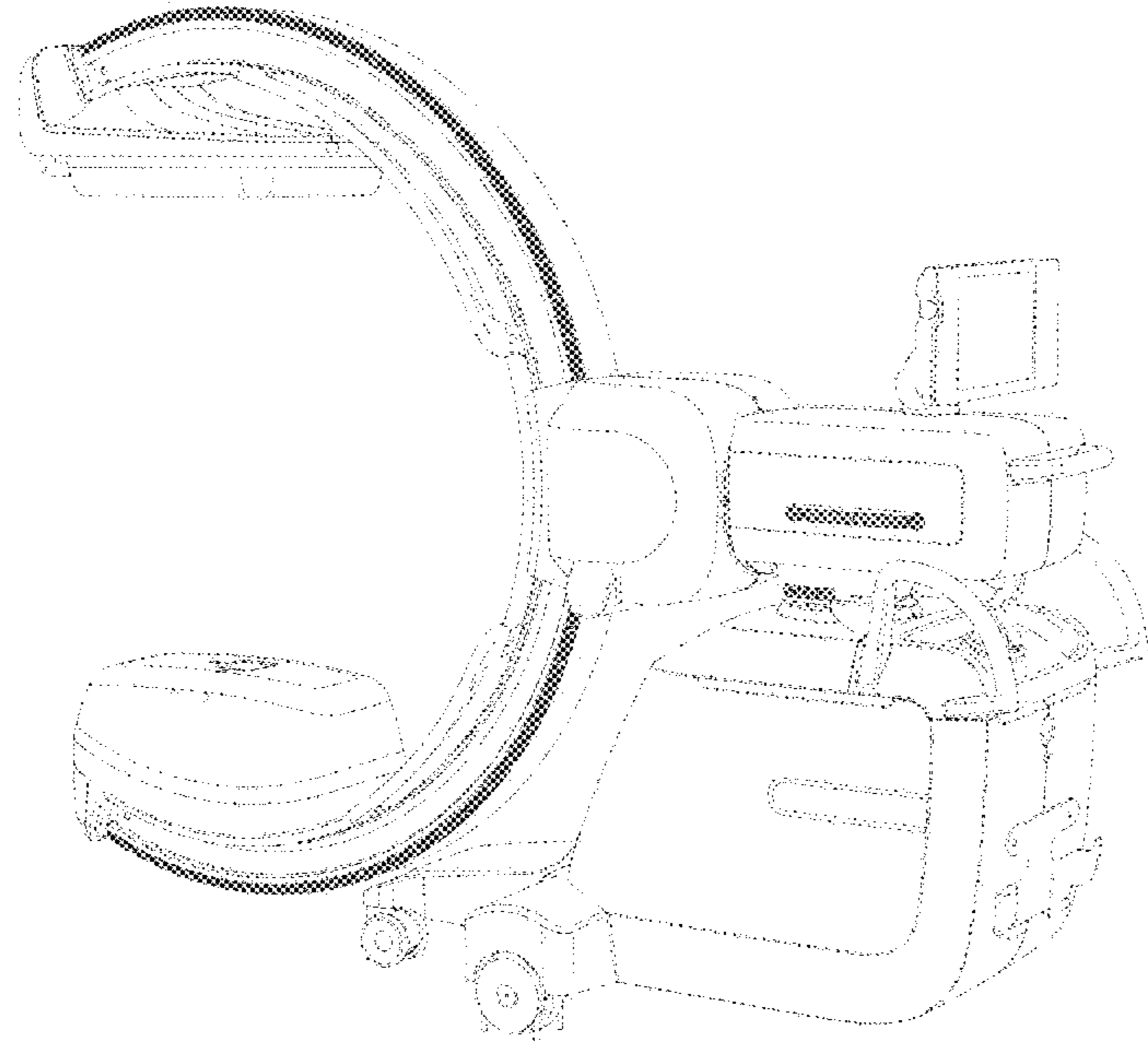


FIG. 1

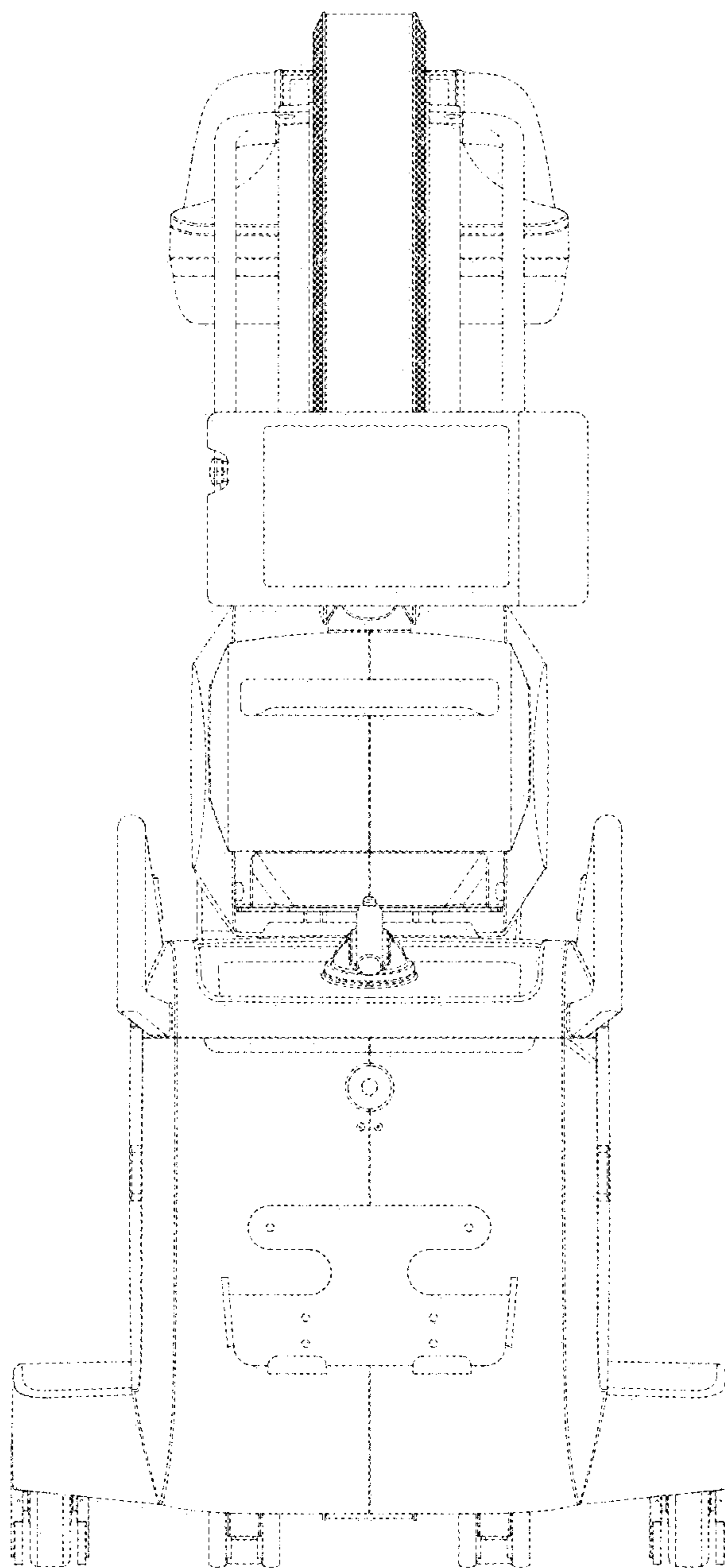


FIG. 2

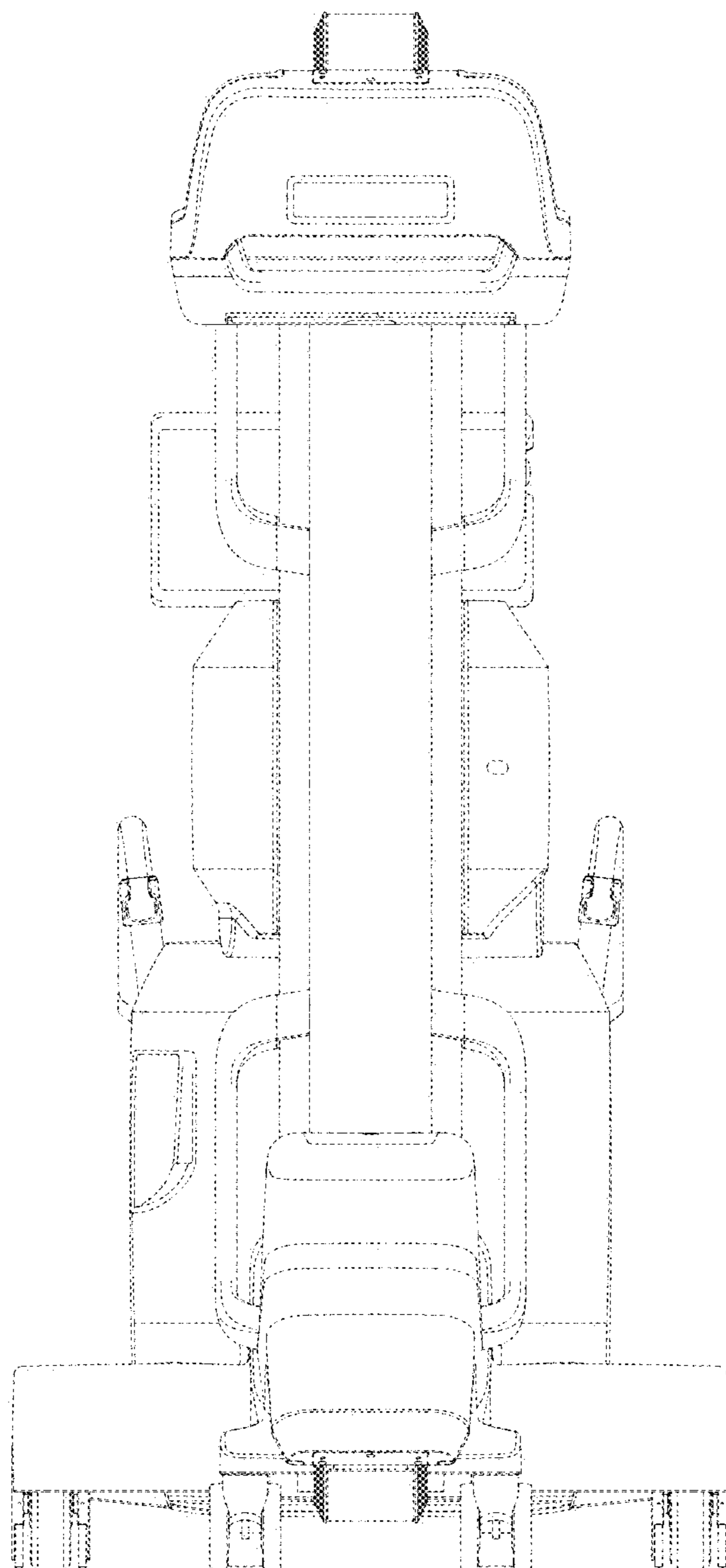


FIG. 3

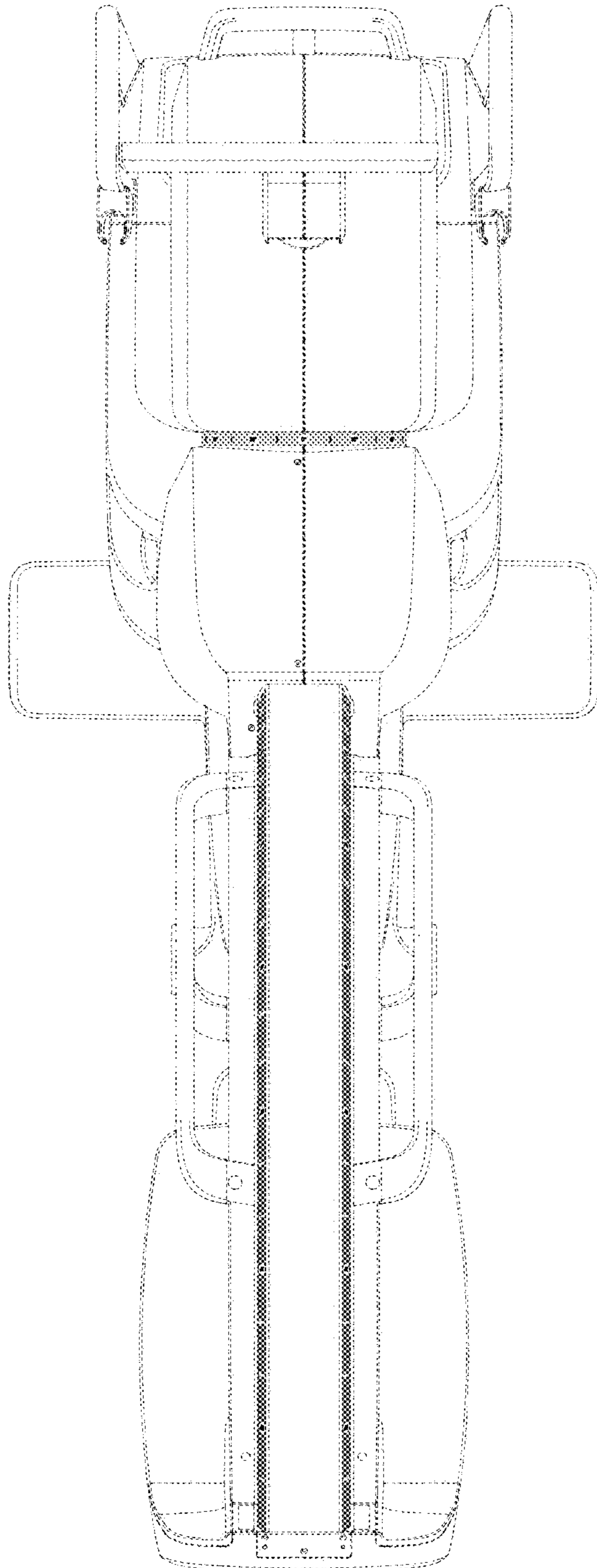


FIG. 4

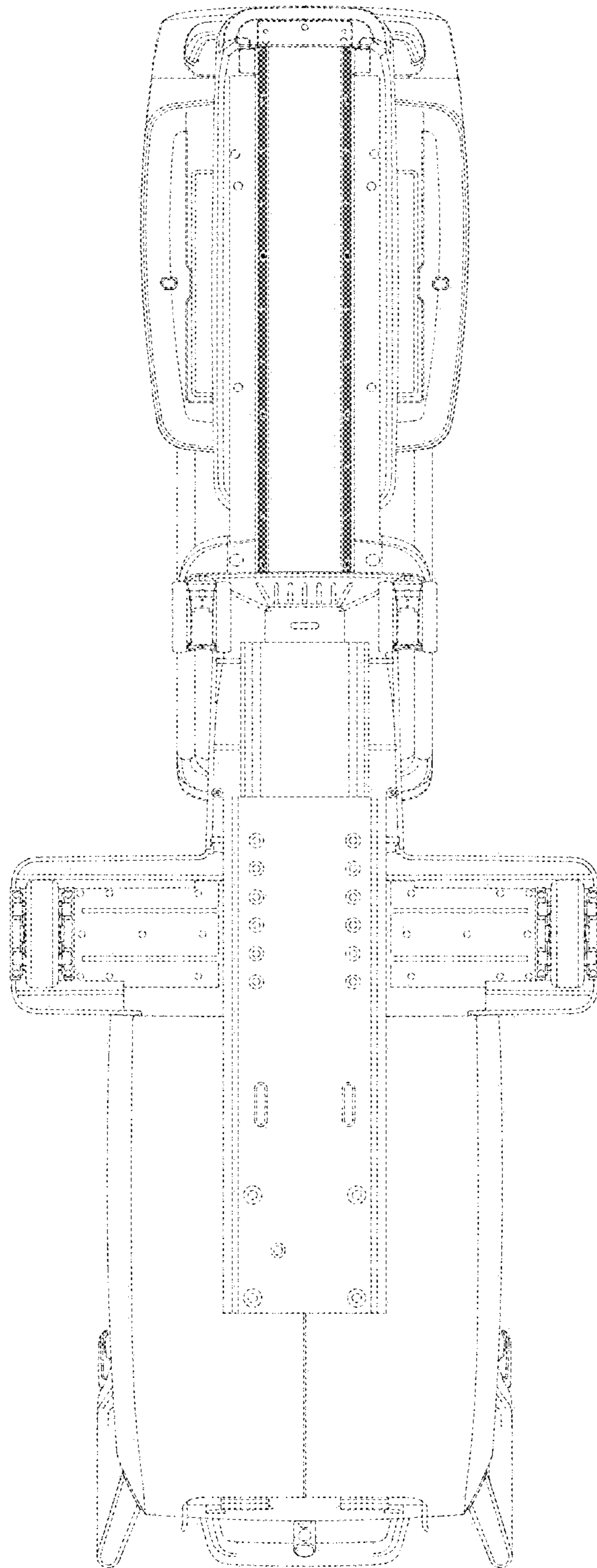
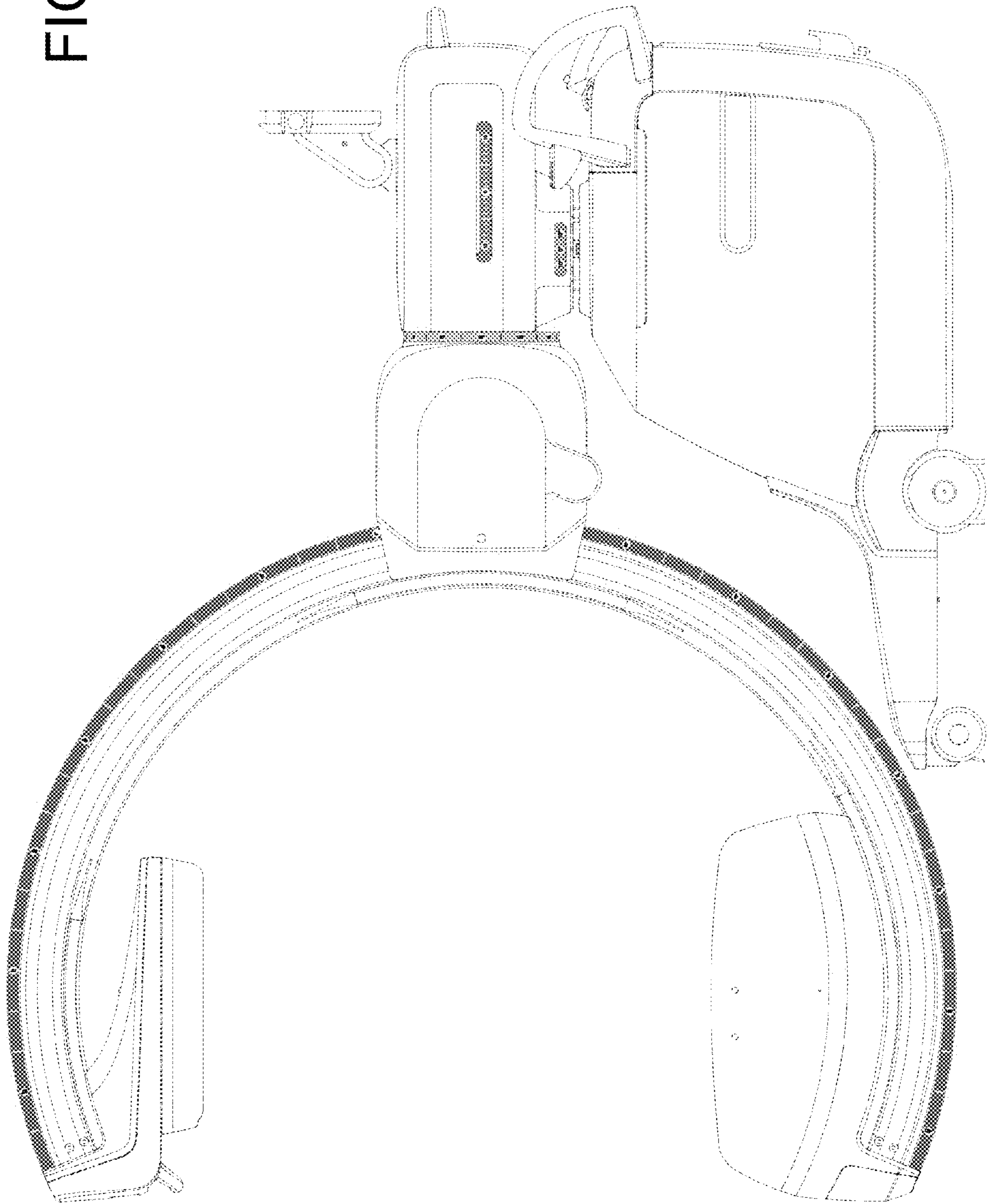


FIG. 5



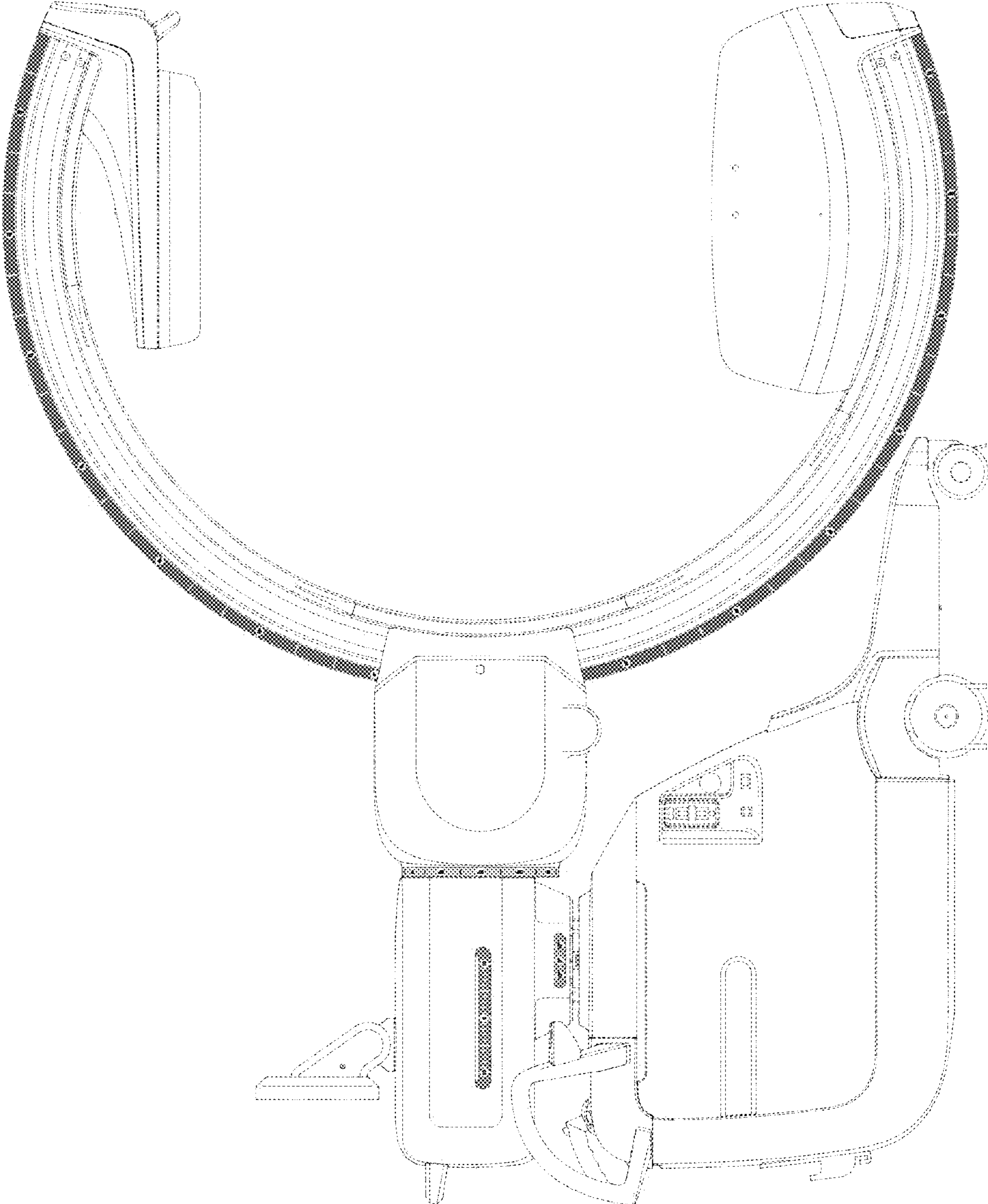


FIG. 6

FIG. 7

