



US00D889657S

(12) **United States Design Patent**
Hasebe

(10) **Patent No.:** **US D889,657 S**

(45) **Date of Patent:** **** Jul. 7, 2020**

(54) **FLUOROSCOPY DEVICE**

(71) Applicant: **SHIMADZU CORPORATION**,
Kyoto-shi, Kyoto (JP)

(72) Inventor: **Shinya Hasebe**, Osaka (JP)

(73) Assignee: **SHIMADZU CORPORATION**, Kyoto
(JP)

(**) Term: **15 Years**

(21) Appl. No.: **29/670,790**

(22) Filed: **Nov. 20, 2018**

(51) **LOC (12) Cl.** **24-01**

(52) **U.S. Cl.**
USPC **D24/158**

(58) **Field of Classification Search**
USPC D24/107, 158-161, 185, 186
CPC A61B 6/485; G01N 23/043; G01N 23/223;
G01N 2223/076; G01N 2223/0766; G01N
2223/301; G01B 15/02
See application file for complete search history.

(56) **References Cited**

U.S. PATENT DOCUMENTS

D161,717 S * 1/1951 Stava et al. D24/159
D609,811 S * 2/2010 Yokoyama D24/159

D714,940 S * 10/2014 Kim D24/158
D781,424 S * 3/2017 Masuda D24/158
2016/0161428 A1* 6/2016 Takahara G21F 3/00
378/44

* cited by examiner

Primary Examiner — Anhdao Doan

(74) *Attorney, Agent, or Firm* — JCIPRNET

(57) **CLAIM**

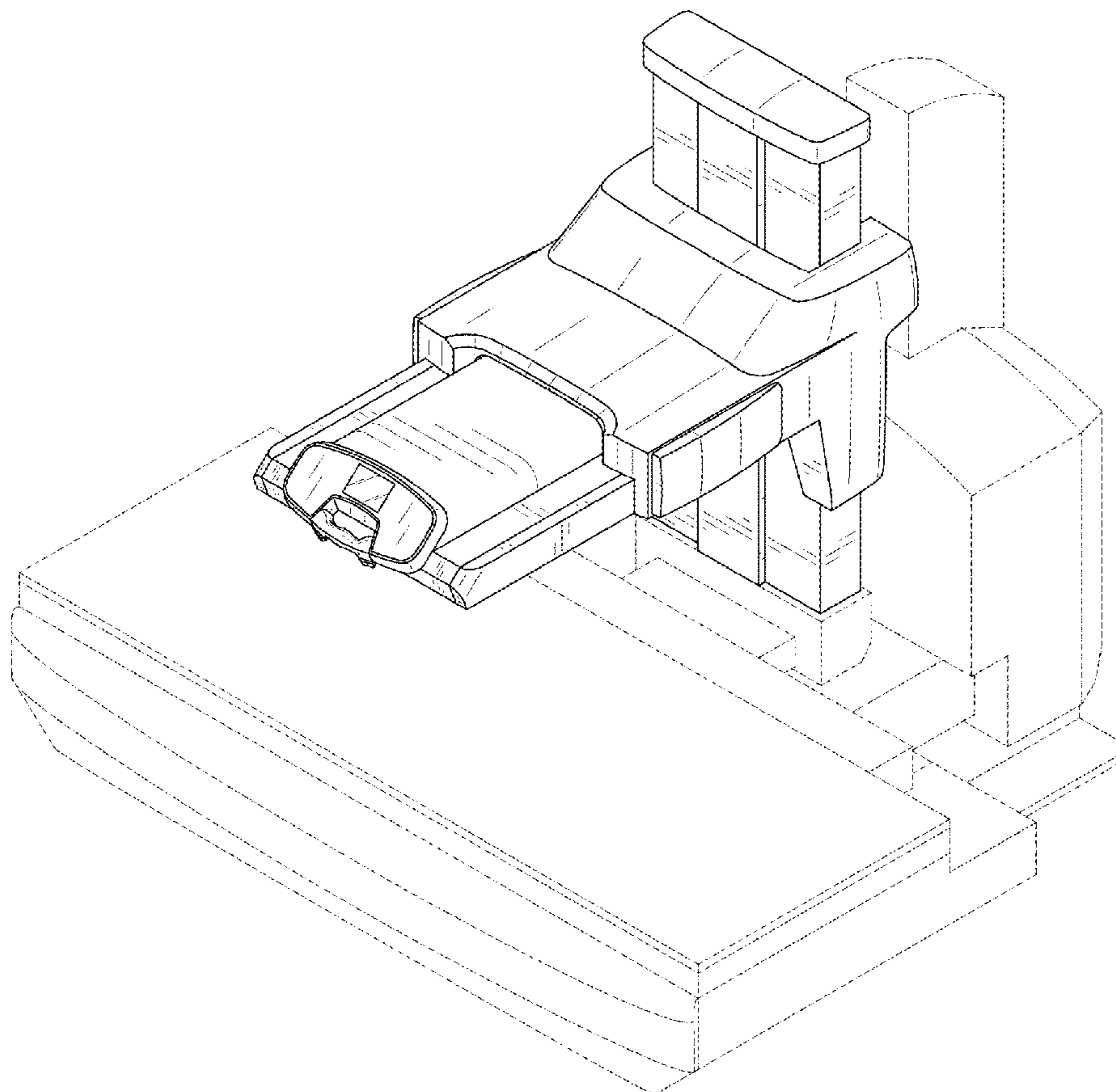
The ornamental design for a fluoroscopy device, as shown and described.

DESCRIPTION

FIG. 1 is a perspective view of a fluoroscopy device showing my new design;
FIG. 2 is a front view thereof;
FIG. 3 is a rear view thereof;
FIG. 4 is a left side view thereof;
FIG. 5 is a right side view thereof;
FIG. 6 is a top view thereof; and,
FIG. 7 is a bottom view thereof.

The broken lines showing in the views are for the purpose of illustrating unclaimed subject matter only and form no part of the claimed design.

1 Claim, 7 Drawing Sheets



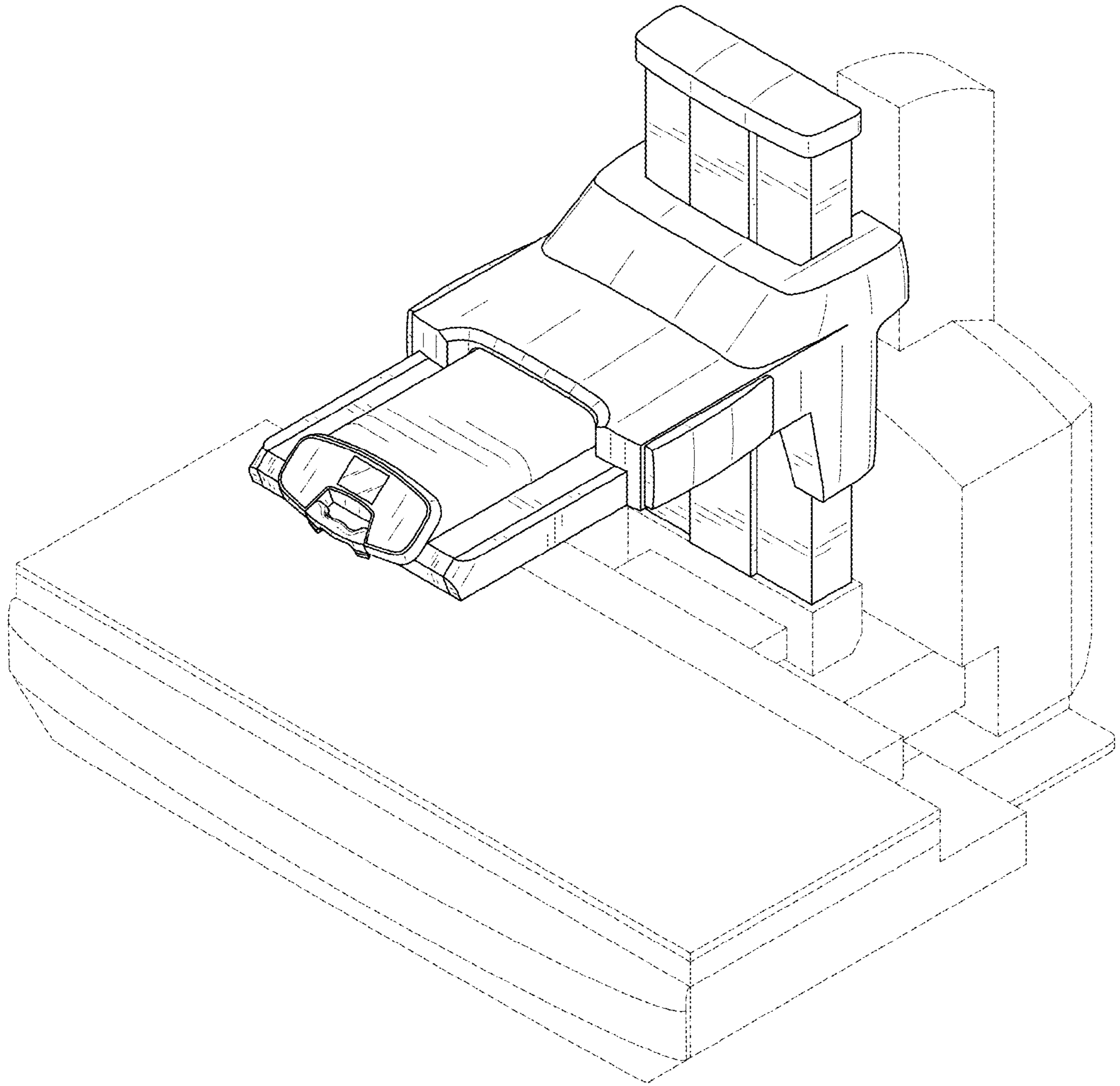


FIG. 1

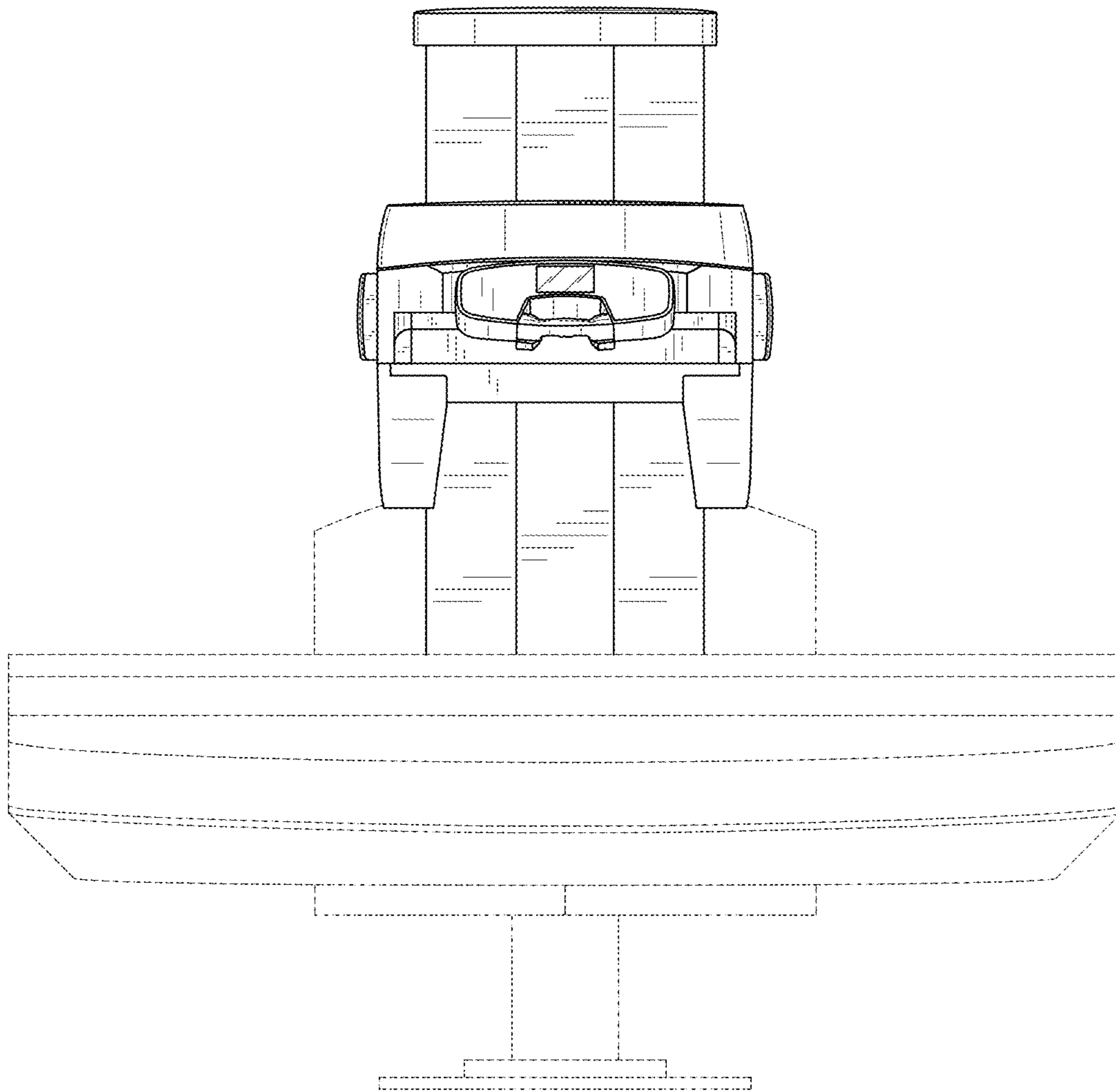


FIG. 2

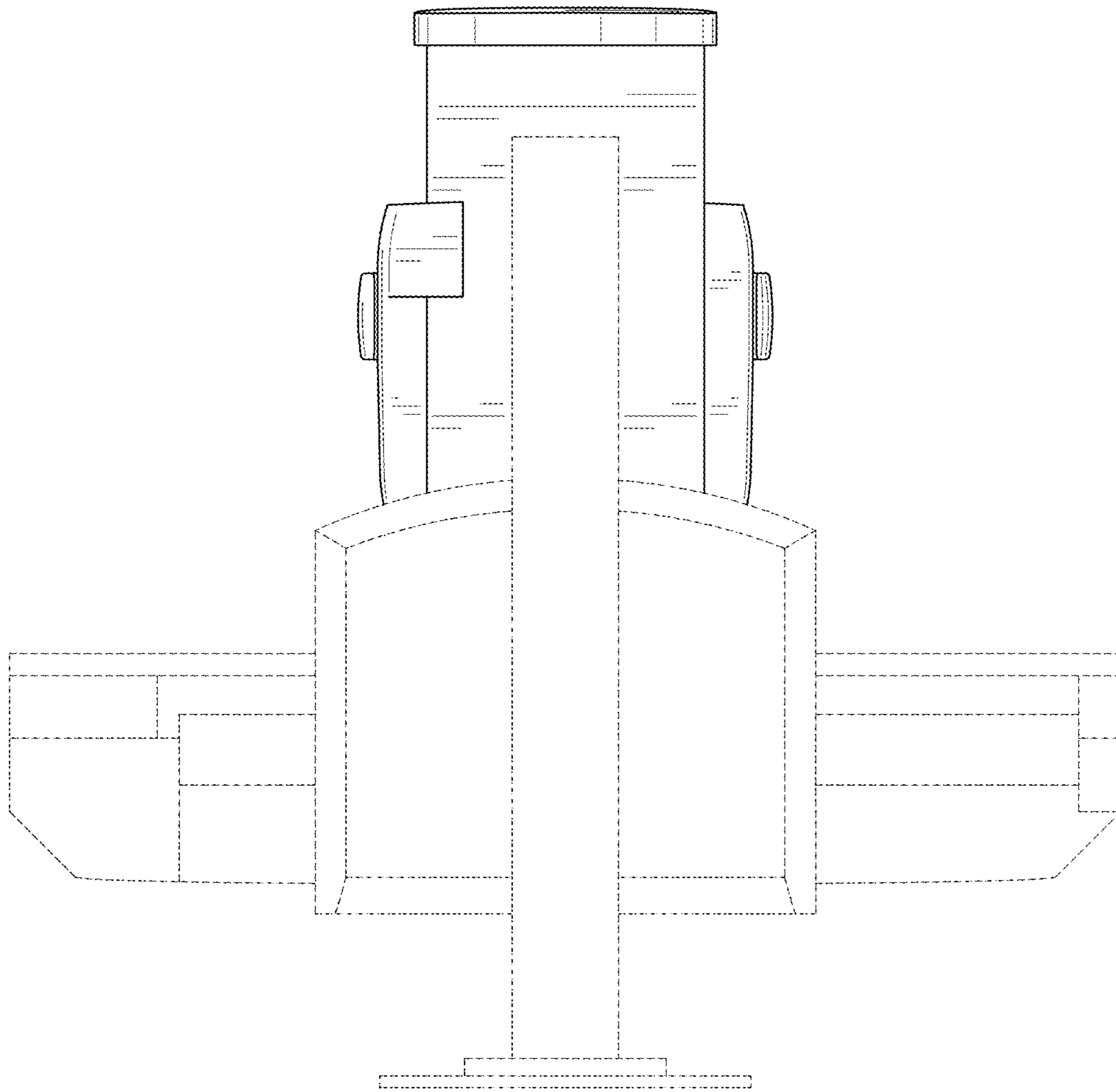


FIG. 3

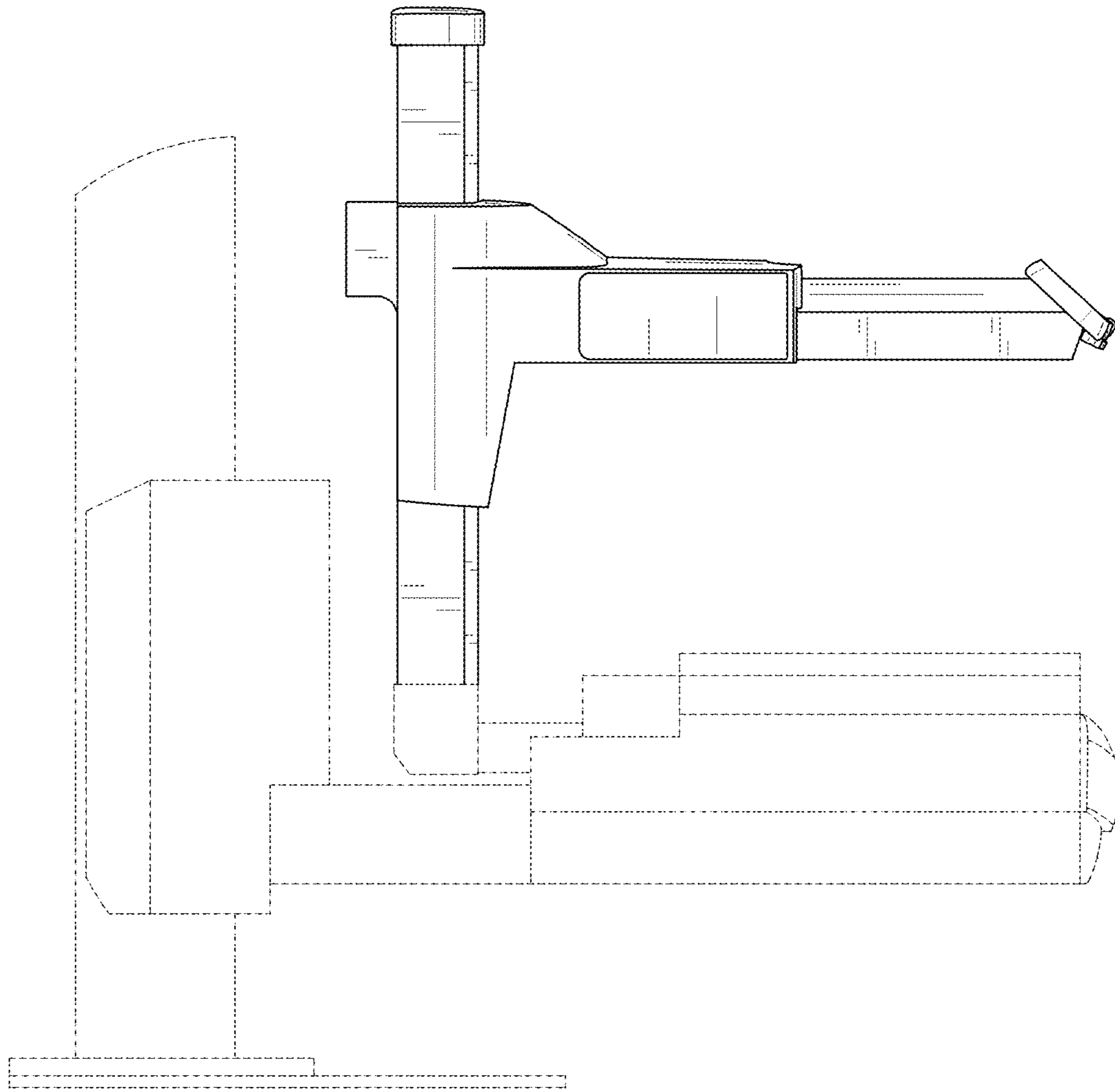


FIG. 4

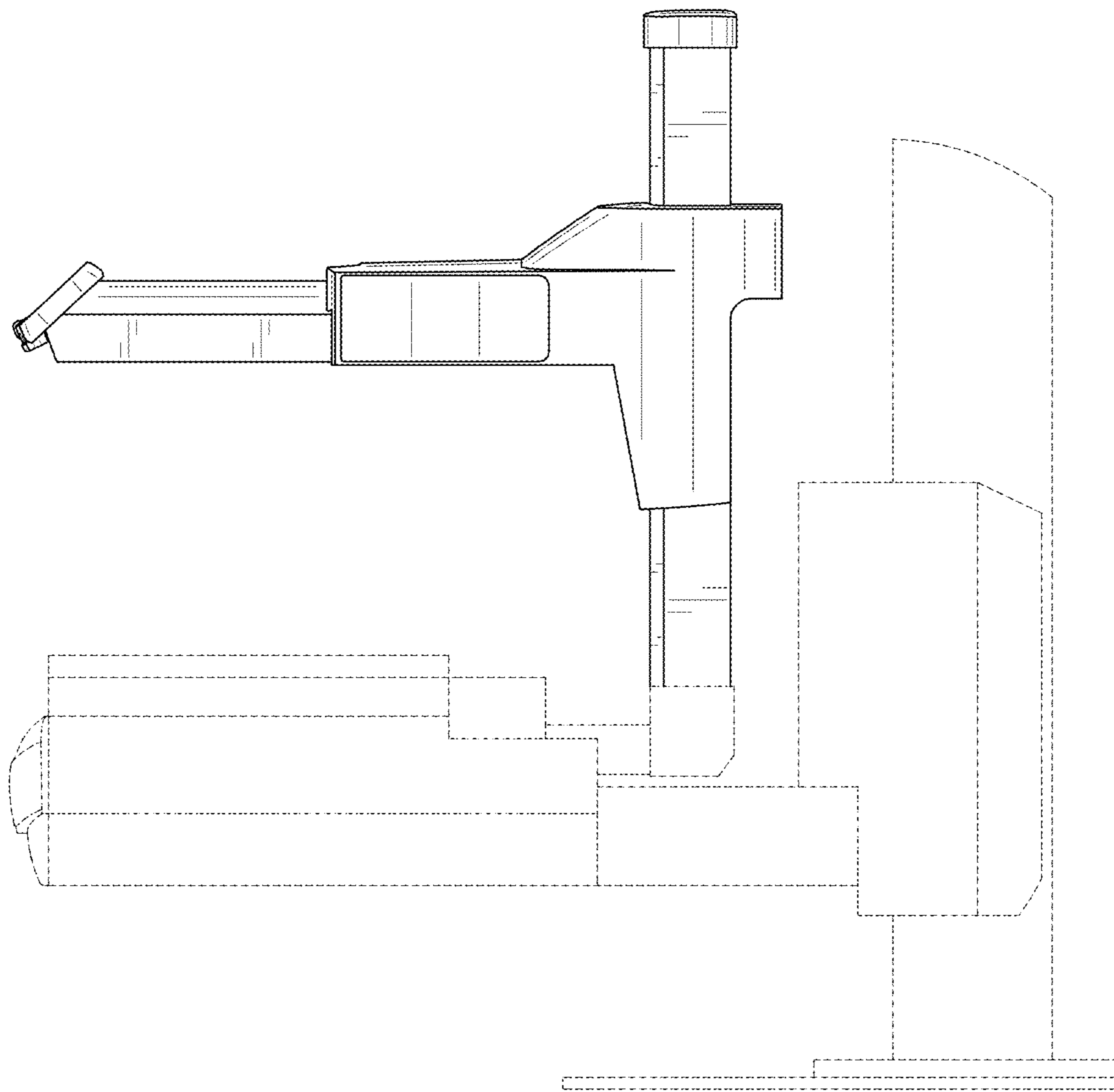


FIG. 5

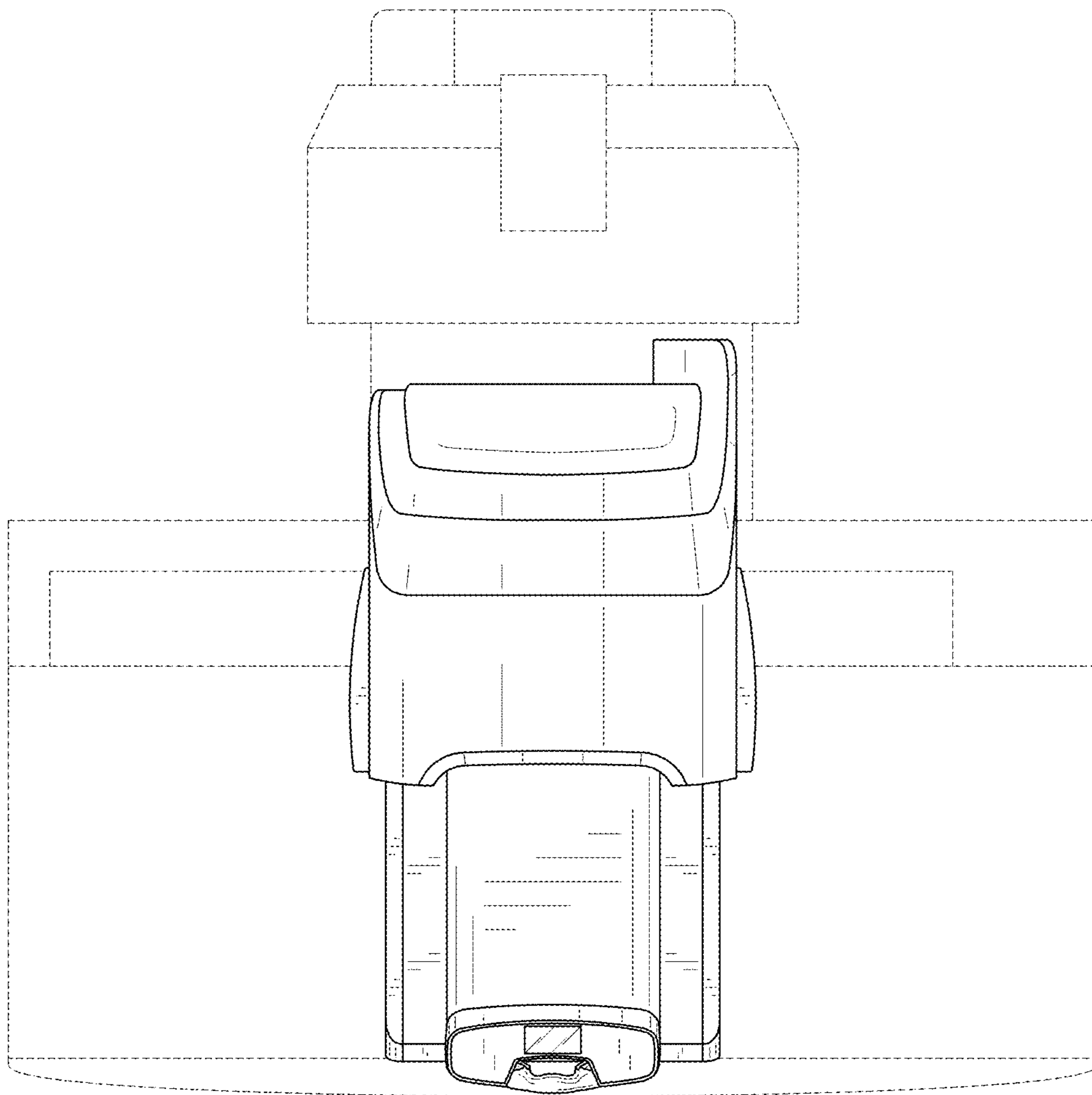


FIG. 6

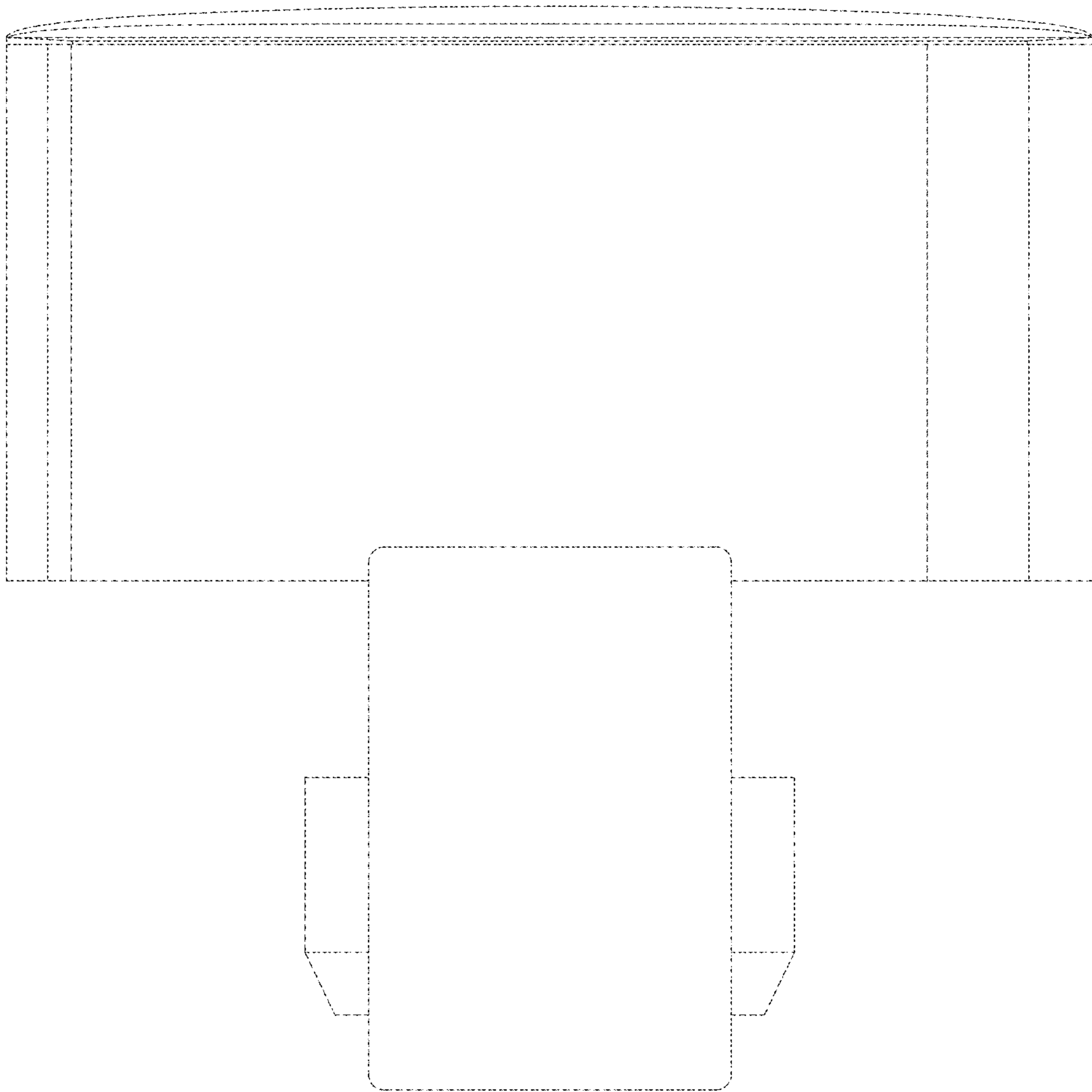


FIG. 7