



US00D889650S

(12) **United States Design Patent** (10) **Patent No.:** **US D889,650 S**  
**Porat** (45) **Date of Patent:** **\*\* Jul. 7, 2020**

(54) **UMBILICAL CORD CUTTER AND CLAMPER**

(71) Applicant: **Amir Porat**, Savyon (IL)

(72) Inventor: **Amir Porat**, Savyon (IL)

(73) Assignee: **Amir Porat**, Savyon (IL)

(\*\*) Term: **15 Years**

(21) Appl. No.: **29/657,253**

(22) Filed: **Jul. 20, 2018**

(51) **LOC (12) Cl.** ..... **24-02**

(52) **U.S. Cl.**  
USPC ..... **D24/143**

(58) **Field of Classification Search**  
USPC .... D24/133, 143, 145, 148; D8/72, 81, 382,  
D8/294; 606/119, 120, 157, 158, 228  
CPC ..... A61B 17/08; A61B 17/12; A61B 17/32;  
A61B 17/122; A61B 17/128; A61B  
17/1227; A61B 17/12004  
See application file for complete search history.

(56) **References Cited**

U.S. PATENT DOCUMENTS

D190,787	S *	6/1961	Schneider	.....	D24/143
3,247,852	A *	4/1966	Schneider	.....	A61B 17/122 606/120
3,854,482	A *	12/1974	Laugherty	.....	A61B 17/122 606/120
5,006,830	A *	4/1991	Merritt	.....	A61B 17/12 283/75
5,608,382	A *	3/1997	Webb	.....	A61B 17/122 340/5.81
5,921,991	A *	7/1999	Whitehead	.....	A61B 17/122 606/119
5,938,666	A *	8/1999	Reynolds	.....	A61B 17/122 606/120
5,947,980	A *	9/1999	Jensen	.....	A61B 17/122 30/272.1

6,348,057	B1 *	2/2002	Porat	.....	A61B 17/122 606/120
6,421,920	B1 *	7/2002	Jensen	.....	A61B 17/122 30/124
D673,272	S *	12/2012	Trivisani	.....	D24/143
2006/0089659	A1 *	4/2006	Small	.....	A61B 17/122 606/120
2016/0151068	A1 *	6/2016	Jensen	.....	A61B 17/1227 606/157

(Continued)

*Primary Examiner* — Wan Laymon

*Assistant Examiner* — Clint A Samuel

(74) *Attorney, Agent, or Firm* — The IP Law Firm of Guy Levi, LLC

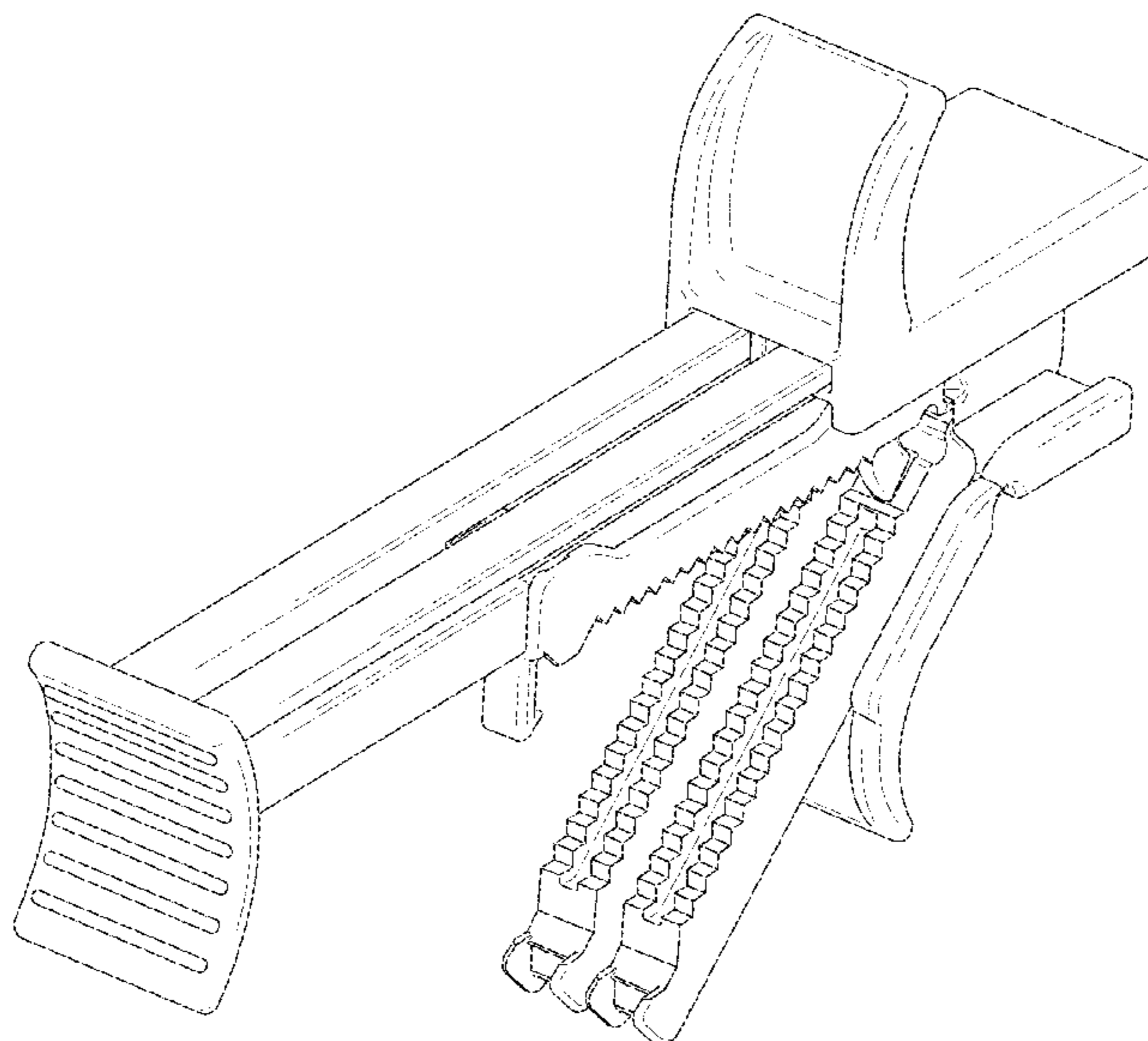
(57) **CLAIM**

I claim, the ornamental design for an umbilical cord cutter and clamper, as shown and described herein.

**DESCRIPTION**

FIG. 1 is a rear top left perspective view of the umbilical cord cutter and clamper, showing my new design;  
 FIG. 2 is a front bottom left perspective view thereof;  
 FIG. 3 is a top plan view thereof;  
 FIG. 4 is a bottom plan view thereof;  
 FIG. 5 is a front elevation view thereof;  
 FIG. 6 is a rear elevation view thereof;  
 FIG. 7 is a left side elevation view thereof;  
 FIG. 8 is a right side elevation view thereof; and,  
 FIG. 9 is an exploded rear top left perspective view thereof.  
 The surface shading vertical and horizontal lines on the claimed portion illustrated in FIGS. 1-9 are provided only to indicate the character and/or any contour or curvature of the surfaces. They do not indicate color, texture, markings that actually exist thereon, indicia, graphic representations, surface treatment, or any other ornamentation applied to the umbilical cord cutter and clamper.

**1 Claim, 7 Drawing Sheets**



(56)

**References Cited**

U.S. PATENT DOCUMENTS

2020/0029971 A1\* 1/2020 Porat ..... A61B 17/32

\* cited by examiner

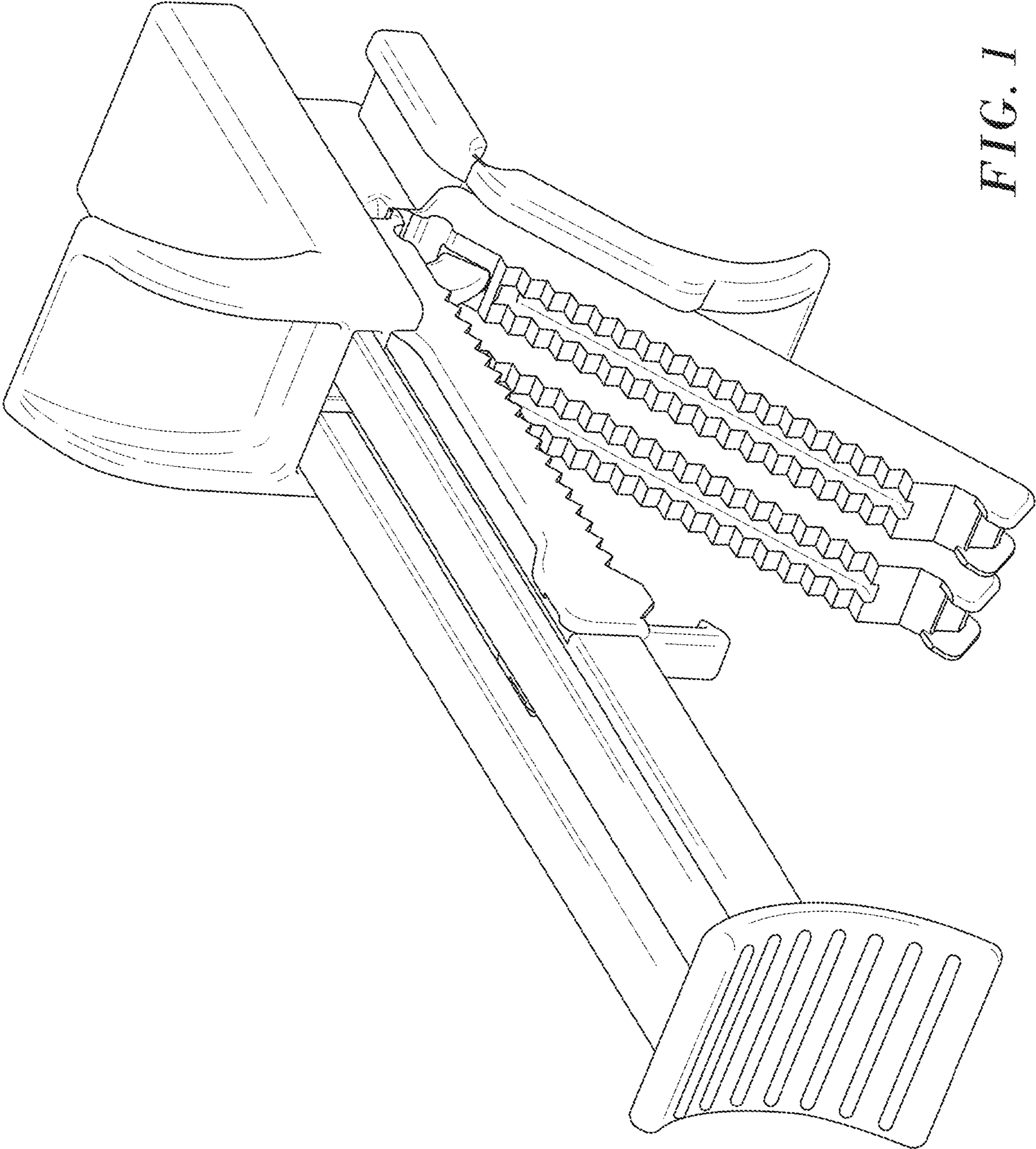


FIG. 1



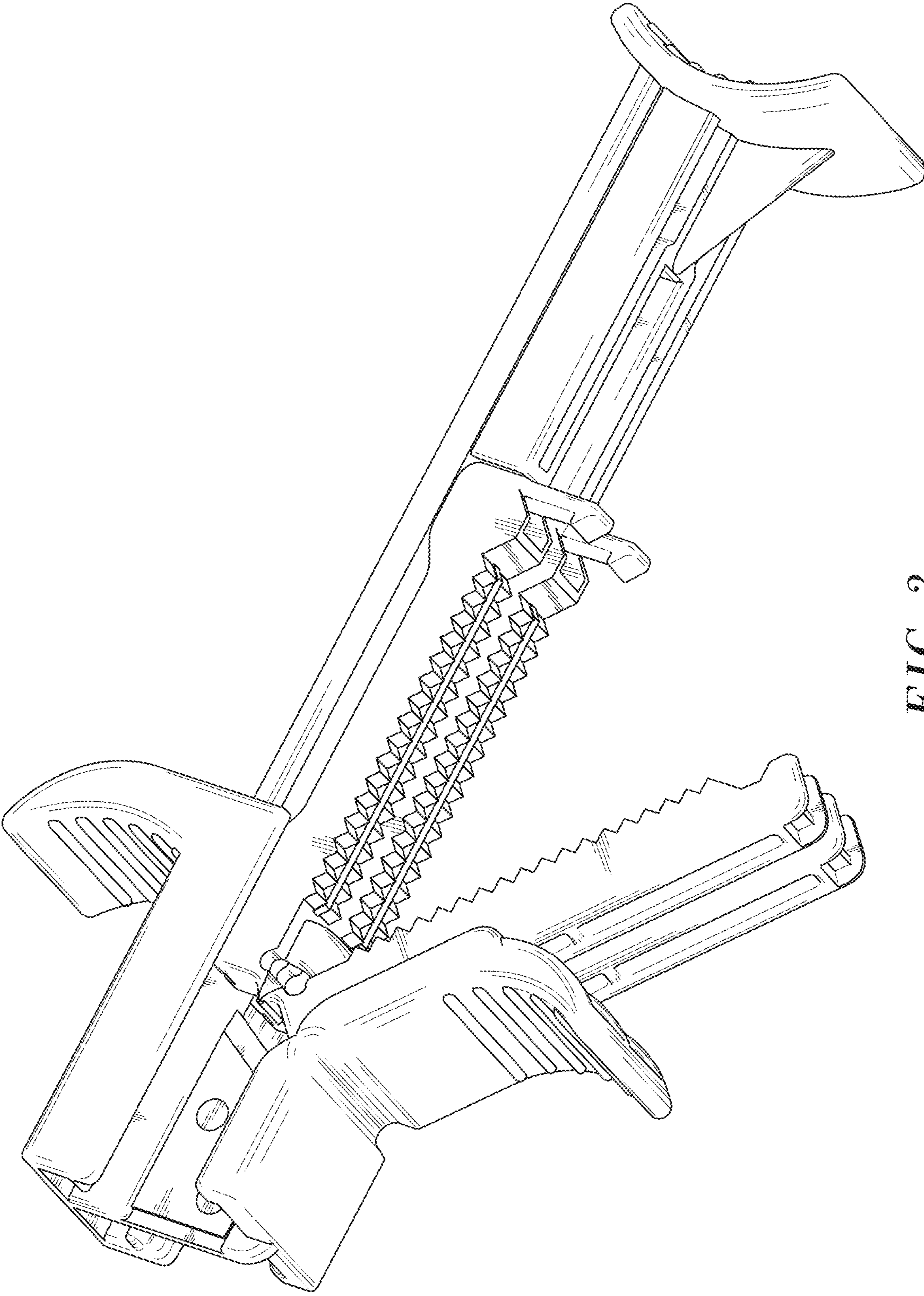
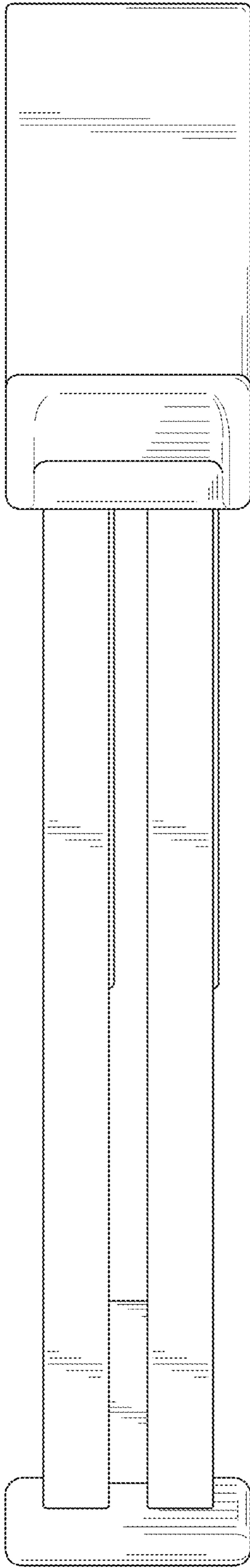
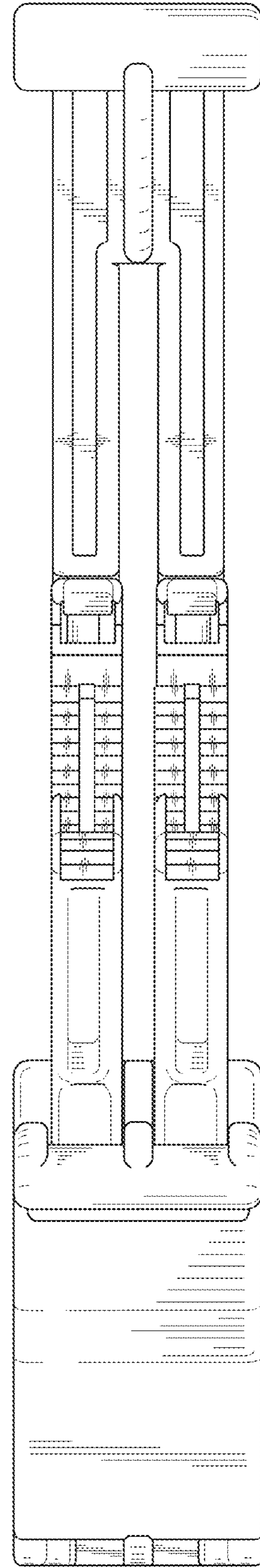


FIG. 2



*FIG. 3*



*FIG. 4*

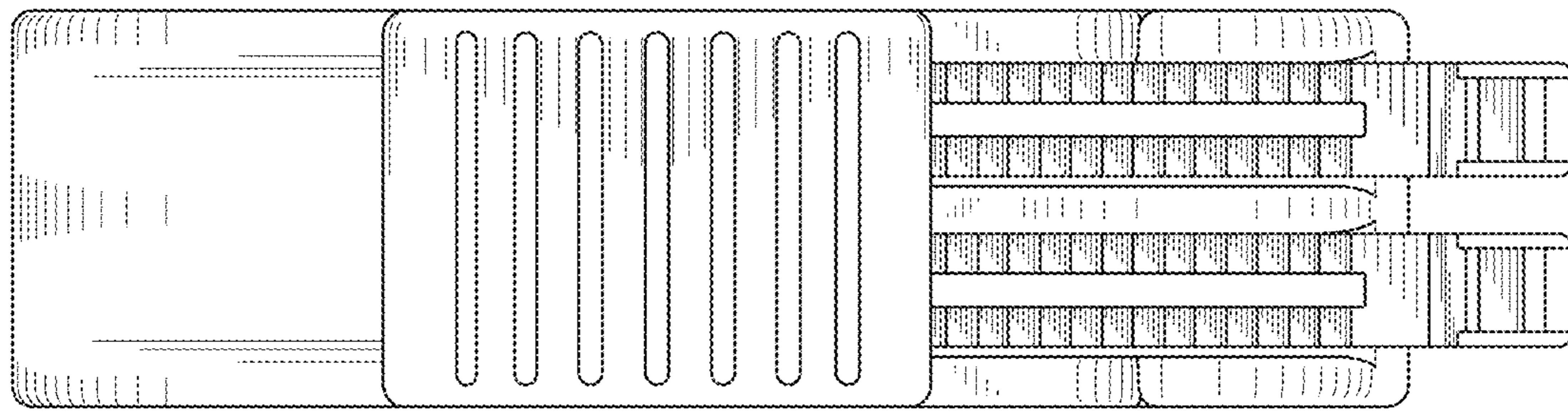


FIG. 6

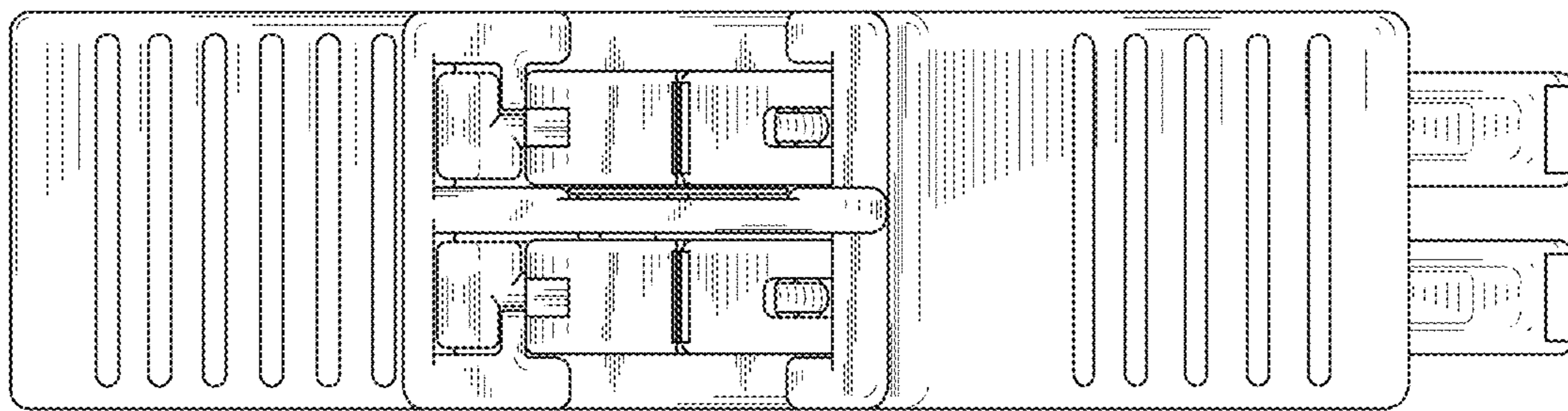


FIG. 5

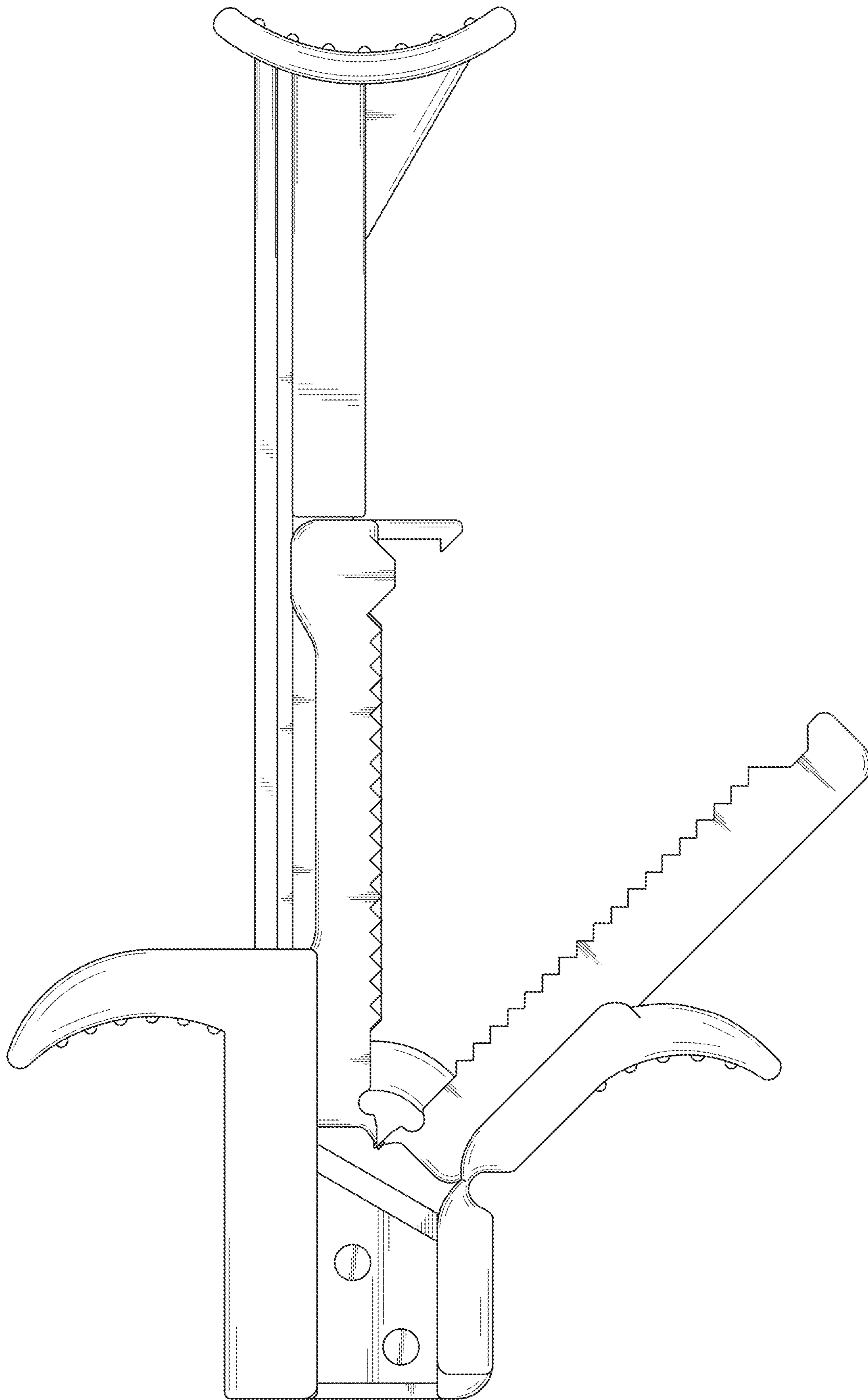


FIG. 7



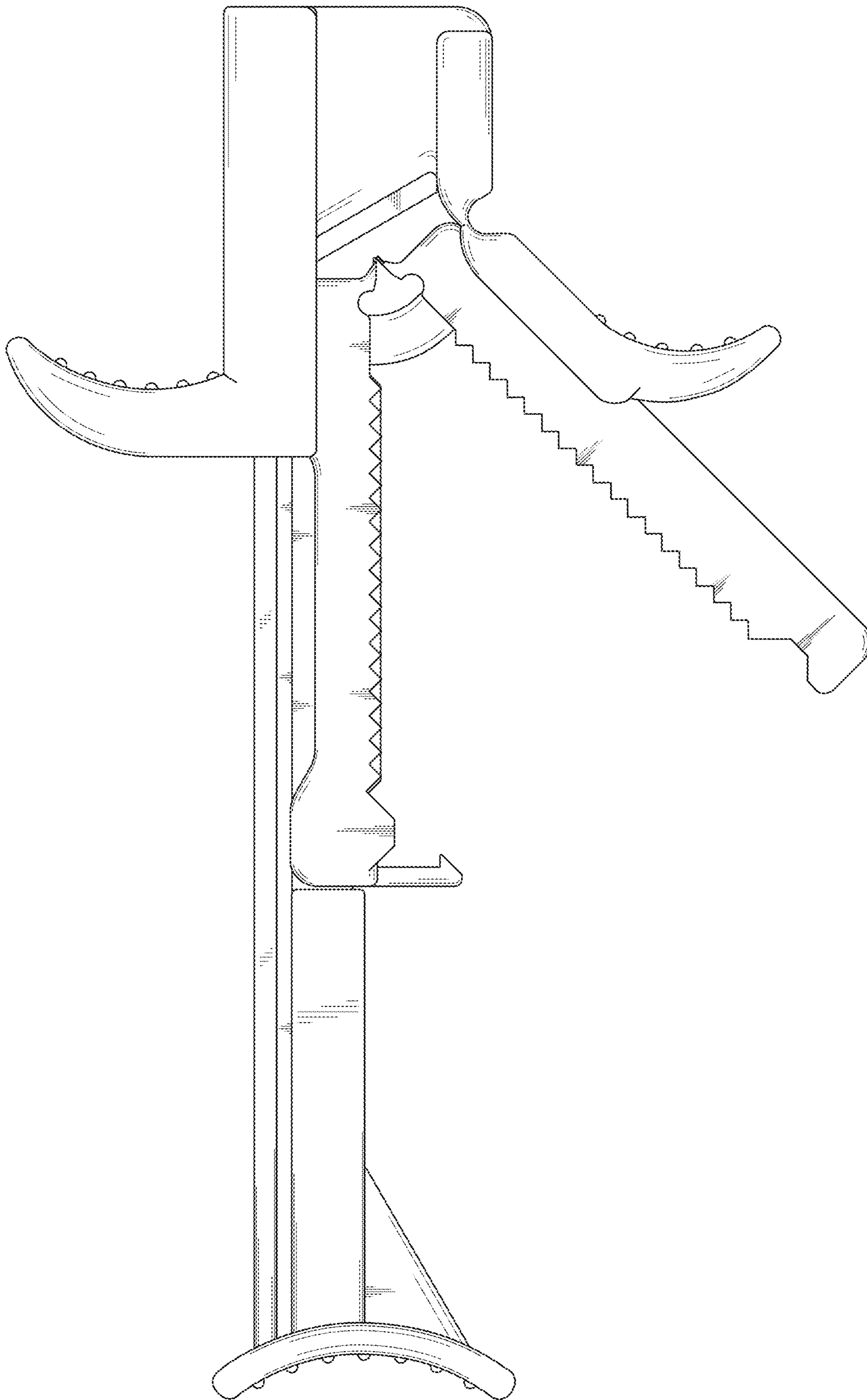


FIG. 8



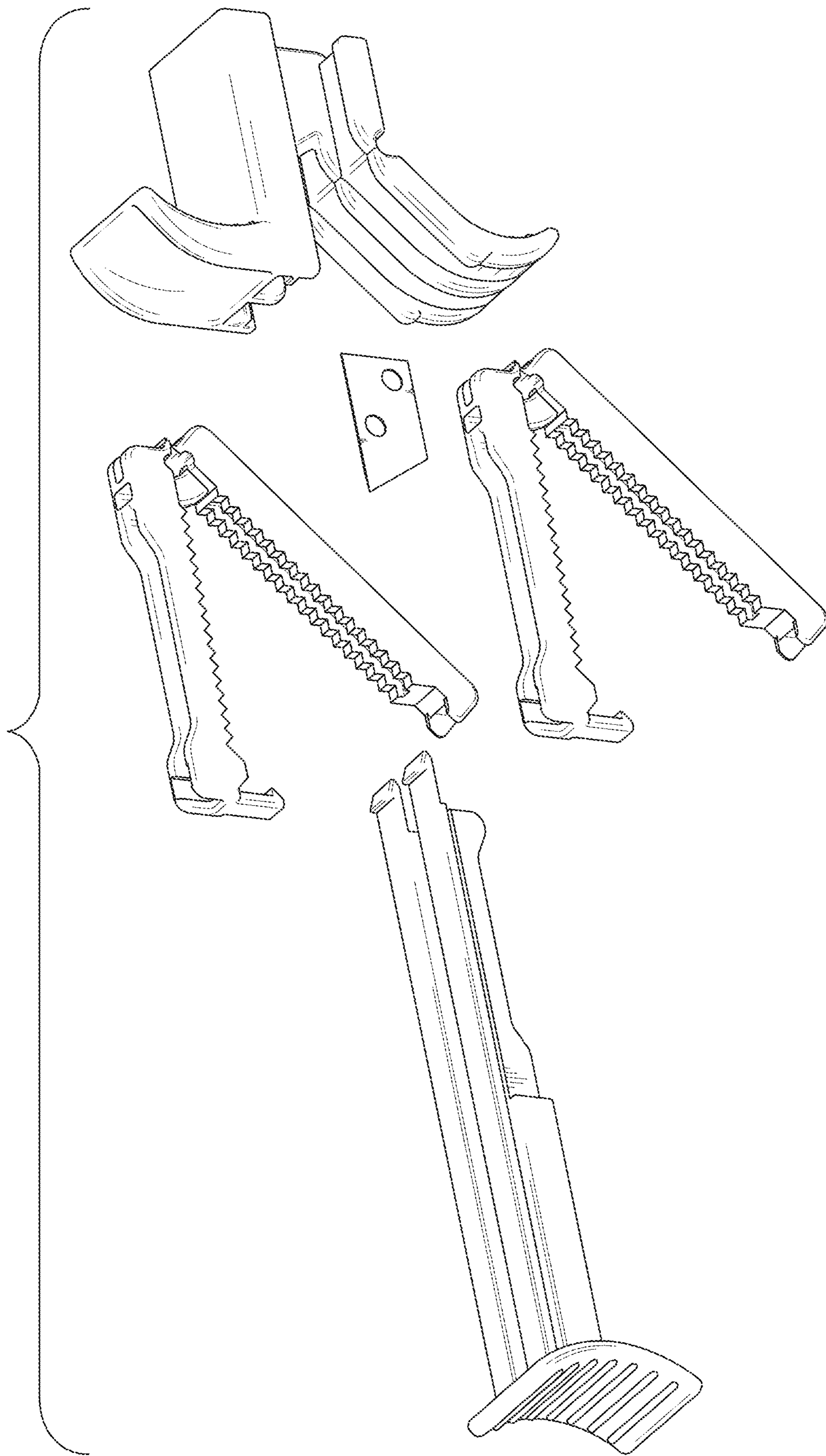


FIG. 9