



US00D889648S

(12) **United States Design Patent**  
**Ierulli**

(10) **Patent No.:** **US D889,648 S**  
(45) **Date of Patent:** **\*\* Jul. 7, 2020**

- (54) **NASAL DILATOR**
- (71) Applicant: **Joseph V. Ierulli**, Bradenton, FL (US)
- (72) Inventor: **Joseph V. Ierulli**, Bradenton, FL (US)
- (73) Assignee: **Corbett Lair, Inc.**, Sarasota, FL (US)
- (\*\*) Term: **15 Years**
- (21) Appl. No.: **29/676,846**
- (22) Filed: **Jan. 15, 2019**

**Related U.S. Application Data**

- (63) Continuation-in-part of application No. 16/169,412, filed on Oct. 24, 2018, now abandoned, which is a continuation of application No. 14/623,918, filed on Feb. 17, 2015, now Pat. No. 10,149,781.
- (51) **LOC (12) Cl.** ..... **24-02**
- (52) **U.S. Cl.**  
USPC ..... **D24/135**
- (58) **Field of Classification Search**  
USPC ..... D24/133, 135, 189  
CPC ..... A61F 5/08; B29L 2031/753  
See application file for complete search history.

(56) **References Cited**

**U.S. PATENT DOCUMENTS**

5,476,091 A	12/1995	Johnson
5,479,944 A	1/1996	Petruson
5,533,499 A	7/1996	Johnson
5,533,503 A	7/1996	Doubek et al.
5,546,929 A	8/1996	Muchin
5,549,103 A	8/1996	Johnson
RE35,408 E	12/1996	Petruson
5,611,333 A	3/1997	Johnson
5,653,224 A	8/1997	Johnson
5,706,800 A	1/1998	Cronk et al.
5,718,224 A	2/1998	Muchin
5,769,089 A	6/1998	Hand et al.
5,890,486 A	4/1999	Mitra et al.
5,931,854 A	8/1999	Dillon
5,957,126 A	9/1999	Neeser
6,006,746 A	12/1999	Karell

6,029,658 A	2/2000	De Voss
6,058,931 A	5/2000	Muchin
6,065,470 A	5/2000	Van Cromvoirt et al.
6,098,616 A	8/2000	Lundy et al.

(Continued)

**FOREIGN PATENT DOCUMENTS**

EP	855175 A1	7/1998
ES	289561	10/1985

**OTHER PUBLICATIONS**

5193655, registration date May 2, 2017, [online], [retrieved on Feb. 24, 2020]. Retrieved from Internet ,<URL: <http://tmsearch.uspto.gov/bin/gate.exe?f=doc&state=4807:x2o0nu.8.54>>.\*

4354078, registration date Jun. 18, 2013, [online], [retrieved on Feb. 24, 2020]. Retrieved from Internet ,<URL: <http://tmsearch.uspto.gov/bin/gate.exe?f=doc&state=4807:x2o0nu.8.116>>.\*

77590034, registration date Oct. 10, 2008, [online], [retrieved on Feb. 24, 2020]. Retrieved from Internet ,<URL: <http://tmsearch.uspto.gov/bin/gate.exe?f=doc&state=4807:x2o0nu.8.279>>.\*

(Continued)

*Primary Examiner* — Bridget L Eland

(74) *Attorney, Agent, or Firm* — Mersenne Law

(57) **CLAIM**

The ornamental design for a nasal dilator, as shown and described.

**DESCRIPTION**

FIG. 1 is a top plan view of a nasal dilator showing my new invention.

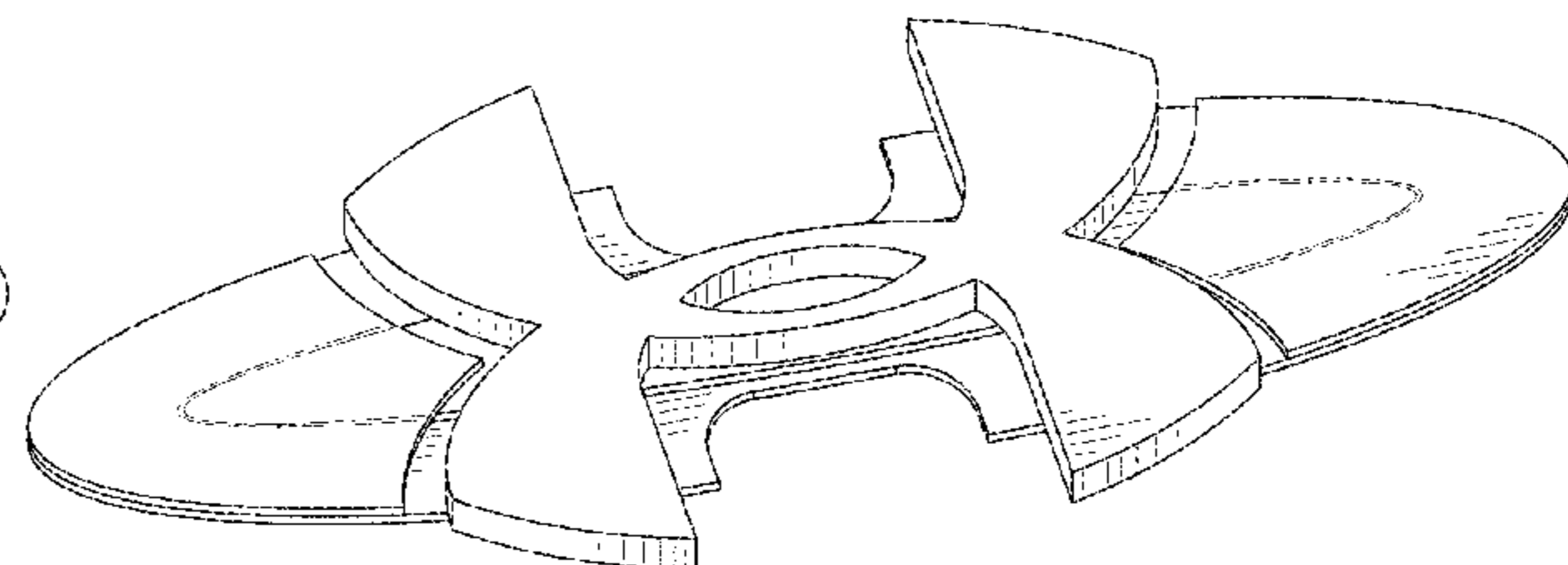
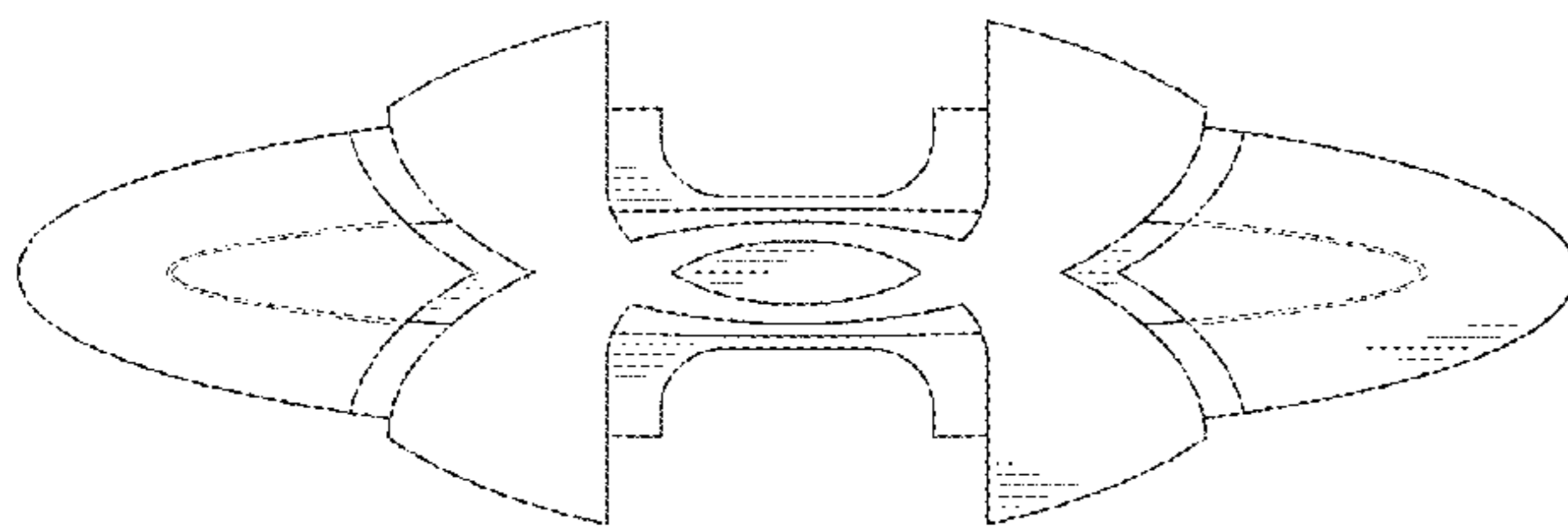
FIG. 2 is a perspective view thereof shown in an environment; and,

FIG. 3 shows a three-quarter perspective view thereof.

The broken line showing of human facial features is for the purpose of illustrating environmental structure and forms no part of the claimed design.

The stylized letter “U” vertically overlapping a stylized letter “A” forming part of the claimed design is a registered trademark of Under Armour, Inc.

**1 Claim, 2 Drawing Sheets**



(56)

References Cited

U.S. PATENT DOCUMENTS

6,196,228 B1 3/2001 Kreitzer et al.  
 6,244,265 B1 6/2001 Cronk et al.  
 6,276,360 B1 8/2001 Cronk et al.  
 6,318,362 B1 11/2001 Johnson  
 6,357,436 B1 3/2002 Kreitzer et al.  
 6,375,667 B1 4/2002 Ruch  
 6,453,901 B1 9/2002 Ierulli  
 6,470,883 B1 10/2002 Beaudry  
 6,550,474 B1 4/2003 Anderson et al.  
 6,694,970 B2 2/2004 Spinelli et al.  
 6,769,428 B2 8/2004 Cronk et al.  
 6,769,429 B1 8/2004 Benetti  
 7,067,710 B1 6/2006 Beaudry  
 7,114,495 B2 10/2006 Lockwood, Jr.  
 D639,762 S 6/2011 Brogden et al.  
 D644,325 S 8/2011 Brunner et al.  
 D644,324 S 10/2011 Brunner et al.  
 8,047,201 B2 11/2011 Guyuron et al.  
 8,062,329 B2 11/2011 Ierulli  
 D651,710 S 1/2012 Brogden et al.  
 8,115,049 B2 2/2012 Beaudry  
 D659,245 S 5/2012 Ierulli  
 8,188,330 B2 5/2012 Beaudry  
 D662,203 S 6/2012 Smith  
 D667,543 S 9/2012 Ierulli  
 D671,643 S 11/2012 Ierulli  
 D672,461 S 12/2012 Brogden et al.  
 D672,872 S 12/2012 Brunner et al.  
 D673,270 S 12/2012 Brunner et al.  
 8,342,173 B2 1/2013 Lockwood, Jr.  
 8,444,670 B2 5/2013 Ierulli  
 8,584,671 B2 11/2013 Ierulli  
 8,616,198 B2 12/2013 Guyuron et al.  
 8,617,199 B2 12/2013 Eull et al.  
 8,641,852 B2 2/2014 Ierulli  
 D707,814 S 6/2014 Ierulli  
 D707,815 S 6/2014 Ierulli  
 8,834,511 B2 9/2014 Holmes et al.  
 8,834,512 B1 9/2014 Brown et al.  
 8,834,514 B2 9/2014 Smith  
 8,858,587 B2 10/2014 Ierulli  
 D722,161 S 2/2015 Reyers  
 D722,162 S 2/2015 Reyers  
 D725,772 S 3/2015 Ierulli  
 D725,773 S 3/2015 Ierulli  
 9,095,422 B2 8/2015 Gray  
 D738,496 S 9/2015 Peck  
 D739,015 S 9/2015 Martin  
 9,119,620 B2 9/2015 Peterson et al.  
 D741,997 S 10/2015 Ierulli  
 D741,998 S 10/2015 Martin  
 D743,544 S 11/2015 Ierulli  
 D743,545 S 11/2015 Ierulli  
 D743,565 S 11/2015 Engel et al.  
 D745,147 S 12/2015 Ierulli  
 9,204,988 B1 12/2015 Fischell  
 D746,982 S 1/2016 Ierulli  
 D747,478 S 1/2016 Brunner et al.  
 D753,294 S 4/2016 Guyuron et al.  
 D755,376 S 5/2016 Ierulli  
 D758,575 S 6/2016 Ierulli  
 D758,576 S 6/2016 Ierulli et al.  
 D759,240 S 6/2016 Ierulli  
 D759,241 S 6/2016 Ierulli  
 D759,242 S 6/2016 Ierulli  
 9,364,367 B2 6/2016 Ierulli  
 9,364,368 B2 6/2016 Ierulli  
 9,381,332 B2 7/2016 Judd  
 D764,055 S 8/2016 Ierulli et al.  
 D764,662 S 8/2016 Ierulli et al.  
 9,414,957 B1 8/2016 Fischell  
 9,427,945 B2 8/2016 Gray et al.  
 D779,666 S 2/2017 Ierulli et al.  
 D779,667 S 2/2017 Ierulli et al.  
 9,566,183 B1 2/2017 Fischell

D788,298 S 5/2017 Guyuron  
 9,642,995 B2 5/2017 Fenton et al.  
 D789,531 S 6/2017 Ierulli  
 D790,058 S 6/2017 Ierulli et al.  
 D790,695 S 6/2017 Ierulli  
 D791,312 S 7/2017 Peck  
 D791,314 S 7/2017 Ierulli  
 9,730,827 B2 8/2017 Ierulli  
 9,730,828 B2 8/2017 Ierulli  
 9,775,738 B2 10/2017 Andre  
 9,844,456 B2 12/2017 Ierulli  
 9,901,479 B2 2/2018 Holmes  
 9,901,480 B2 2/2018 Ierulli  
 9,901,481 B2 2/2018 Ierulli  
 D812,749 S 3/2018 Ierulli  
 D813,387 S 3/2018 Ierulli et al.  
 D814,029 S 3/2018 Ierulli  
 D824,526 S \* 7/2018 Ramjit ..... D24/189  
 10,010,442 B2 7/2018 Ierulli  
 10,149,781 B2 \* 12/2018 Lerulli ..... A61F 5/08  
 D867,603 S \* 11/2019 Rossi ..... D24/189  
 D871,592 S \* 12/2019 Dickey ..... D24/189  
 D875,952 S \* 2/2020 Tamez ..... D24/189  
 D875,957 S \* 2/2020 Bannwart ..... D24/189  
 2008/0058858 A1 3/2008 Smith  
 2008/0097517 A1 4/2008 Holmes et al.  
 2009/0125052 A1 5/2009 Pinna et al.  
 2009/0234383 A1 9/2009 Ierulli  
 2010/0210988 A1 8/2010 Dallison  
 2010/0228282 A1 \* 9/2010 Fenton ..... A61F 5/08  
 606/204.45  
 2010/0298861 A1 11/2010 Fenton  
 2011/0000483 A1 1/2011 Matthias et al.  
 2011/0054517 A1 3/2011 Holmes et al.  
 2011/0166594 A1 7/2011 Eull  
 2011/0224717 A1 9/2011 Lockwood  
 2012/0004683 A1 1/2012 Gray  
 2012/0022582 A1 1/2012 Guyuron  
 2012/0067345 A1 3/2012 Shilon  
 2012/0172923 A1 7/2012 Fenton  
 2012/0209313 A1 8/2012 Ierulli  
 2012/0232455 A1 9/2012 Beaudry  
 2013/0104882 A1 5/2013 Ierulli  
 2013/0118488 A1 5/2013 Ledogar  
 2014/0194922 A1 7/2014 Ierulli  
 2014/0148844 A1 10/2014 Andre  
 2014/0296904 A1 10/2014 Andre  
 2014/0350596 A1 11/2014 Smith  
 2015/0005812 A1 1/2015 Holmes  
 2015/0012035 A1 1/2015 Ierulli  
 2015/0051636 A1 2/2015 Lockwood  
 2015/0090398 A1 4/2015 Ierulli  
 2015/0090399 A1 4/2015 Ierulli  
 2015/0094757 A1 4/2015 Ierulli  
 2015/0094758 A1 4/2015 Ierulli  
 2015/0216709 A1 8/2015 Peck  
 2015/0230966 A1 8/2015 Ierulli  
 2015/0250637 A1 9/2015 Ierulli  
 2015/0290021 A1 10/2015 Gray  
 2015/0359654 A1 12/2015 Bentivegna et al.  
 2016/0008161 A1 1/2016 Ierulli et al.  
 2016/0278967 A1 9/2016 Ierulli  
 2016/0278968 A1 9/2016 Ierulli  
 2016/0339619 A1 11/2016 Gray et al.  
 2017/0112653 A9 4/2017 Ierulli  
 2017/0143531 A9 5/2017 Ierulli  
 2017/0151084 A9 6/2017 Ierulli  
 2018/0021163 A9 1/2018 Ierulli  
 2018/0028346 A1 2/2018 Ierulli  
 2018/0071131 A1 3/2018 Ierulli

OTHER PUBLICATIONS

3819531, registration date Jul. 13, 2010, [online], [retrieved on Feb. 24, 2020]. Retrieved from Internet ,<URL: <http://tmsearch.uspto.gov/bin/gate.exe?f=doc&state=4807:x2o0nu.8.329>>.\*

\* cited by examiner

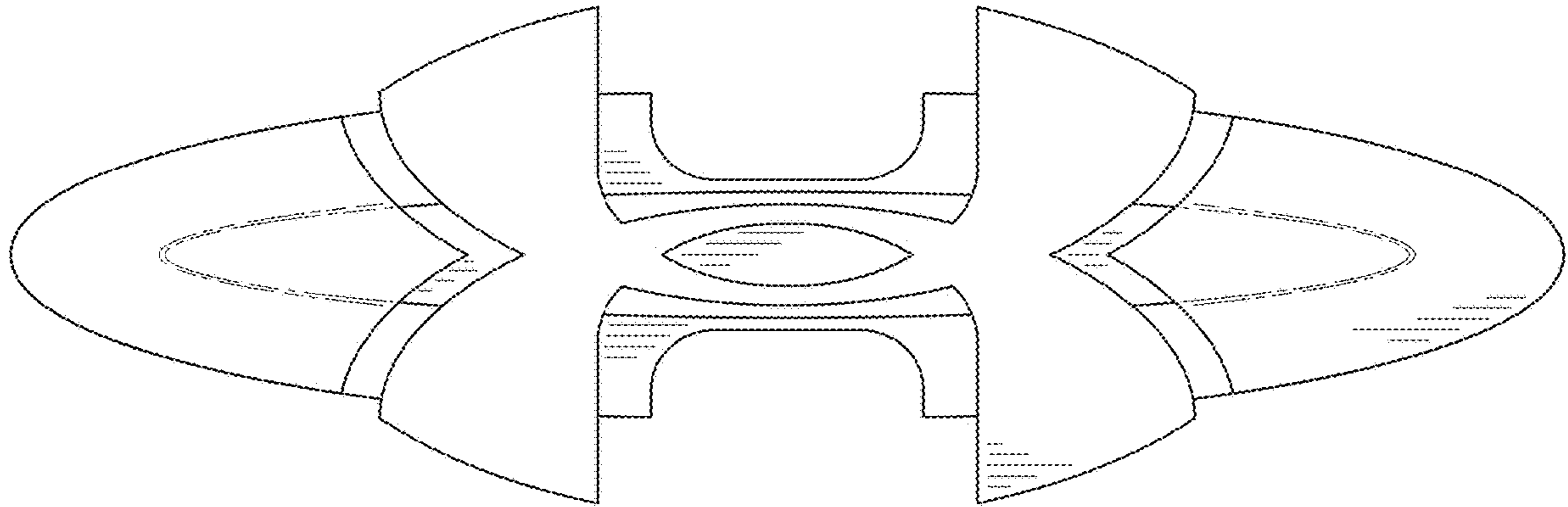


FIG. 1

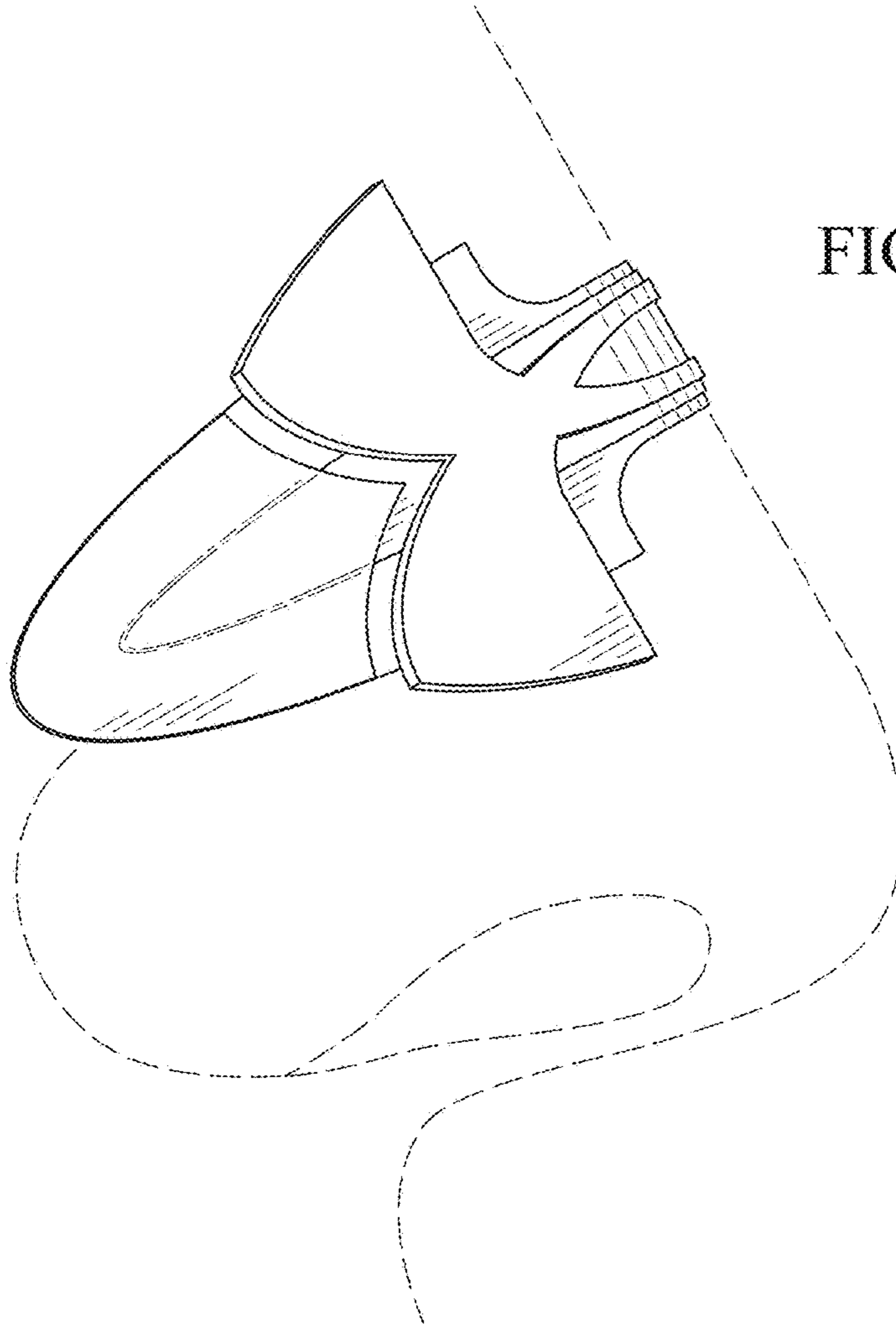


FIG. 2

FIG. 3

