



US00D889647S

(12) **United States Design Patent** (10) **Patent No.:** **US D889,647 S**
Smith (45) **Date of Patent:** **** Jul. 7, 2020**

(54) **NASAL INSERT**

(71) Applicant: **Thomas D. Smith**, Carrollton, TX (US)

(72) Inventor: **Thomas D. Smith**, Carrollton, TX (US)

(**) Term: **15 Years**

(21) Appl. No.: **29/669,014**

(22) Filed: **Nov. 5, 2018**

(51) **LOC (12) Cl.** **24-02**

(52) **U.S. Cl.**
USPC **D24/135; D24/106**

(58) **Field of Classification Search**
USPC D24/106, 135, 164, 200
CPC A61F 5/08; A61F 5/56; A62B 9/06; A61H
39/04; A61M 29/00
See application file for complete search history.

(56) **References Cited**

U.S. PATENT DOCUMENTS

D851,048 S	4/1907	Woodward	
1,709,740 A *	4/1929	Rogers A61F 5/56 606/199
D325,439 S *	4/1992	Apple D24/135
5,727,543 A *	3/1998	Corsaro A61F 5/08 128/200.24
5,816,241 A	10/1998	Cook	
D550,347 S	9/2007	Norton	

D579,112 S	10/2008	Pinter	
8,182,504 B2	5/2012	Yazdi	
9,788,989 B2	10/2017	Weir	
2004/0111109 A1	6/2004	Ruiz	
2011/0270297 A1 *	11/2011	Judd A61F 5/08 606/199
2017/0119571 A1 *	5/2017	Pepper A61M 29/00
2018/0185187 A1 *	7/2018	Wang A61F 5/08
2019/0167464 A1 *	6/2019	Lovato A61F 5/08

* cited by examiner

Primary Examiner — Richelle G Shelton

(74) *Attorney, Agent, or Firm* — Goldstein Law Offices, P.C.

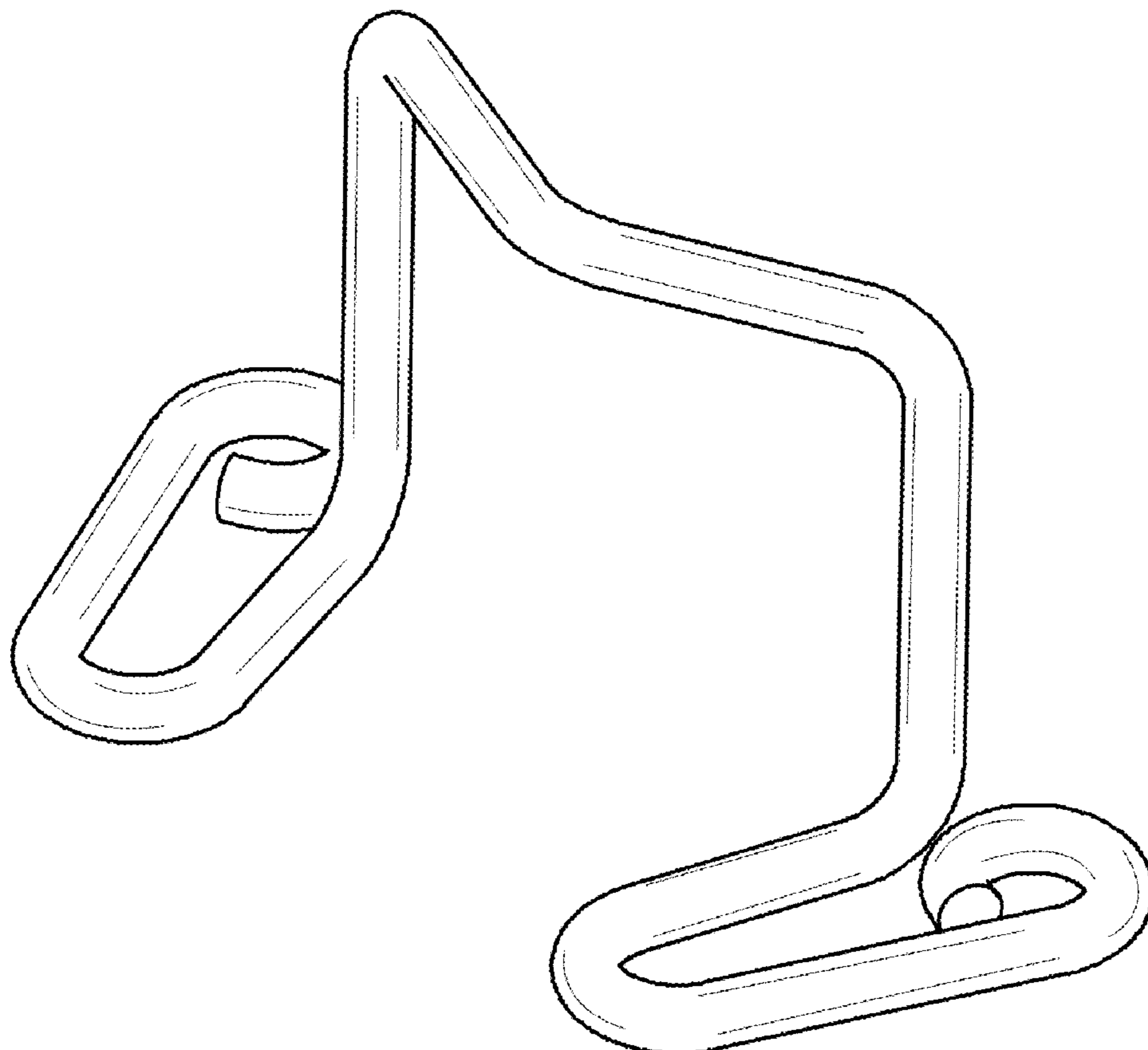
(57) **CLAIM**

The ornamental design for a nasal insert, as shown and described.

DESCRIPTION

FIG. 1 is a perspective view of the nasal insert.
FIG. 2 is a top plan view thereof.
FIG. 3 is a bottom plan view thereof.
FIG. 4 is a right side elevational view thereof.
FIG. 5 is a left side elevational view thereof.
FIG. 6 is a front elevational view thereof; and,
FIG. 7 is a rear elevational view thereof.

1 Claim, 4 Drawing Sheets



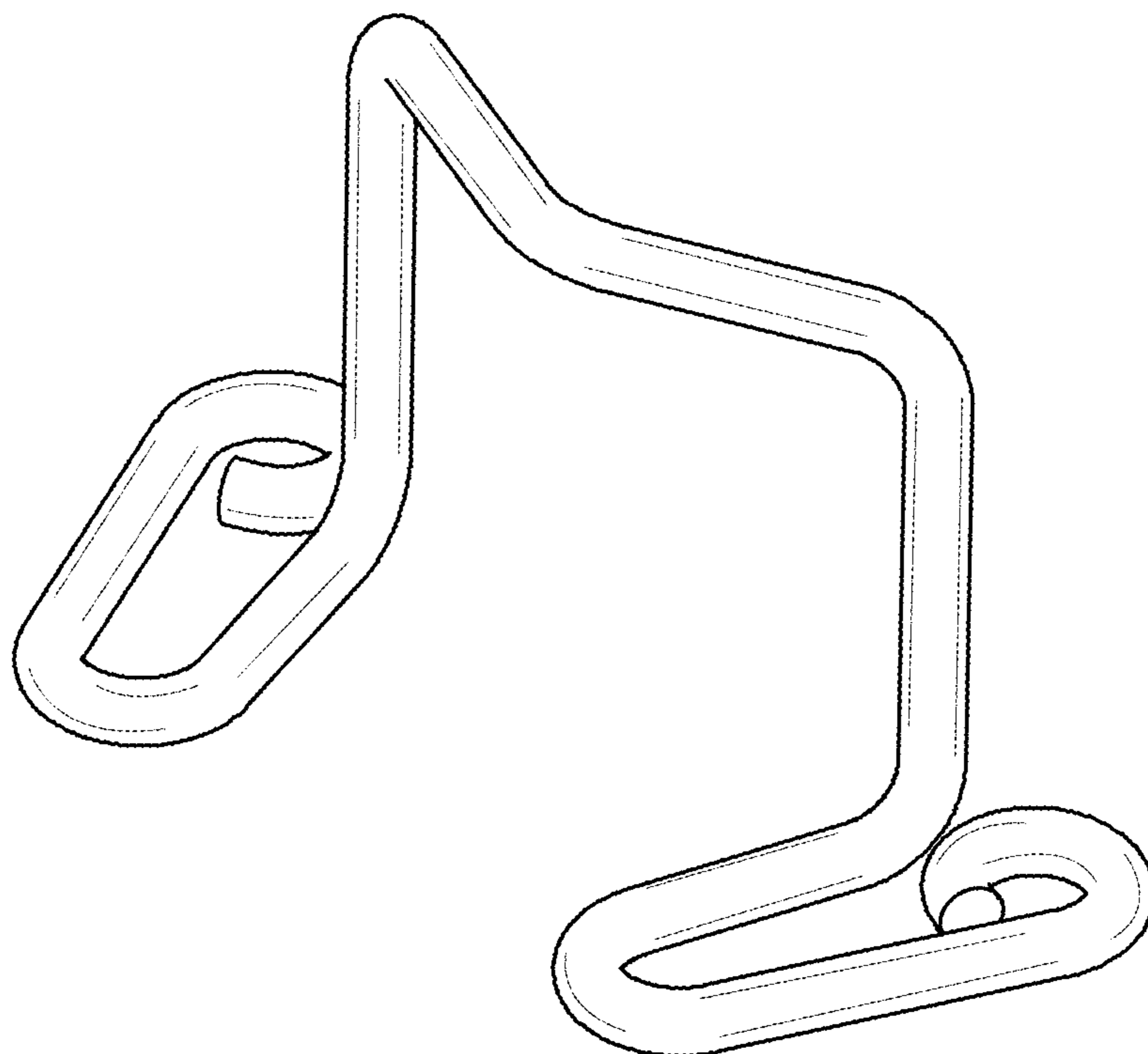


FIG. 1

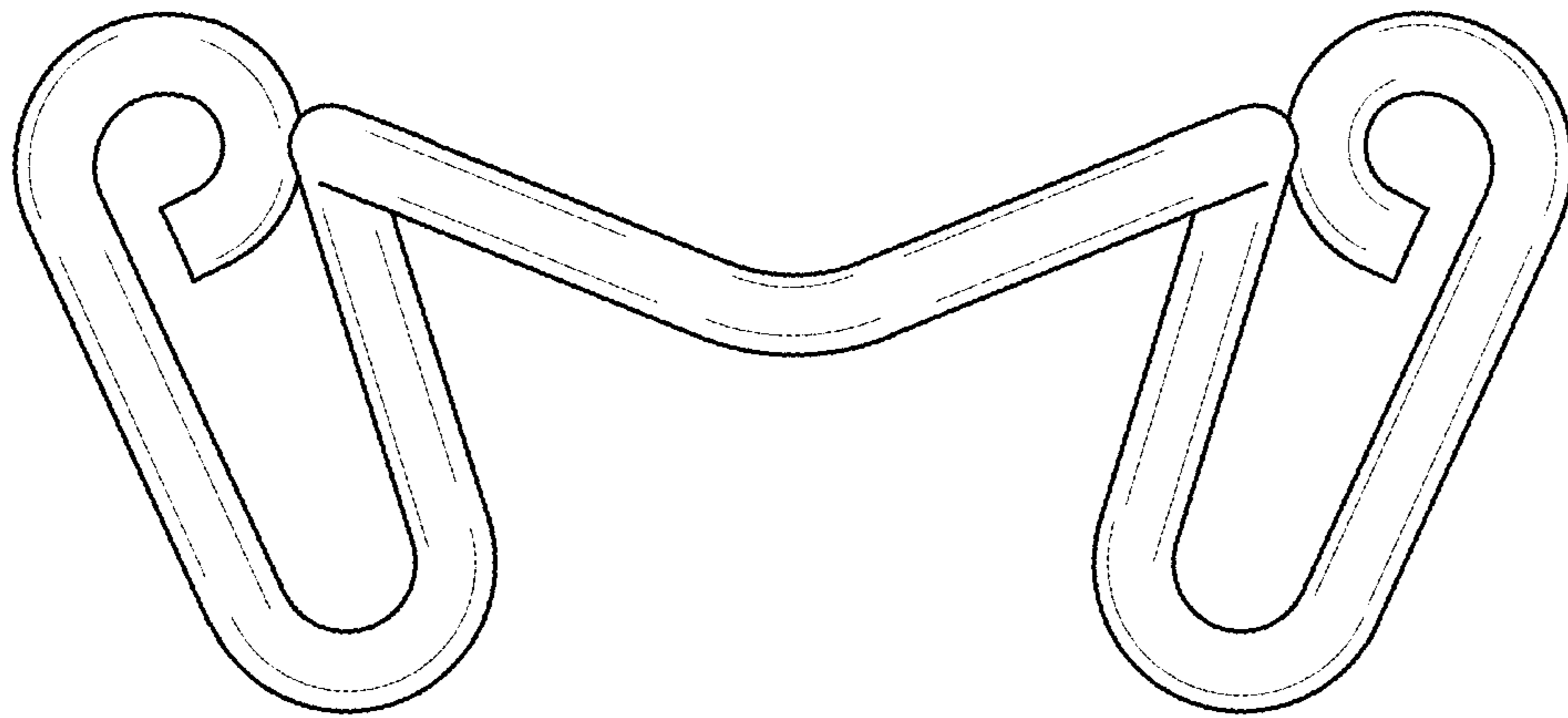


FIG. 2

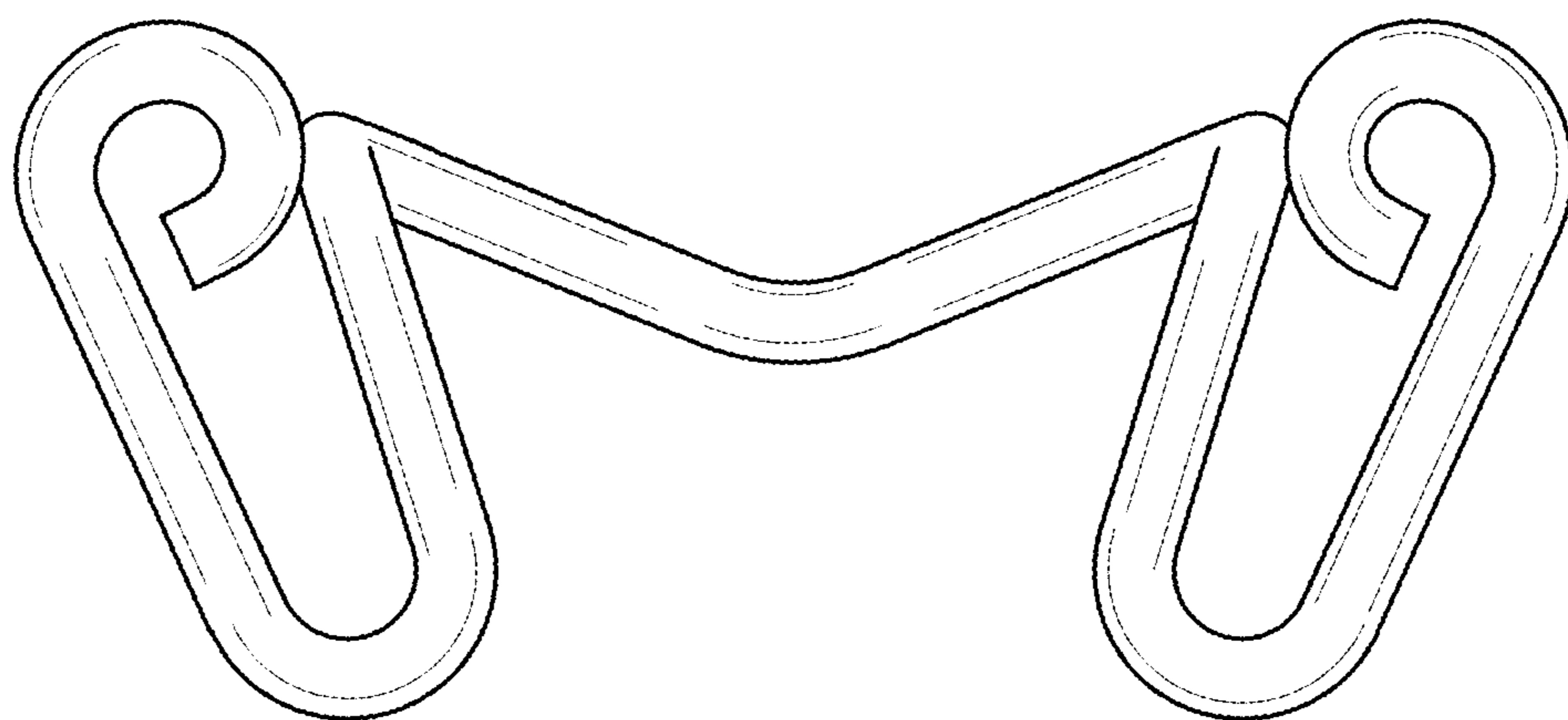


FIG. 3

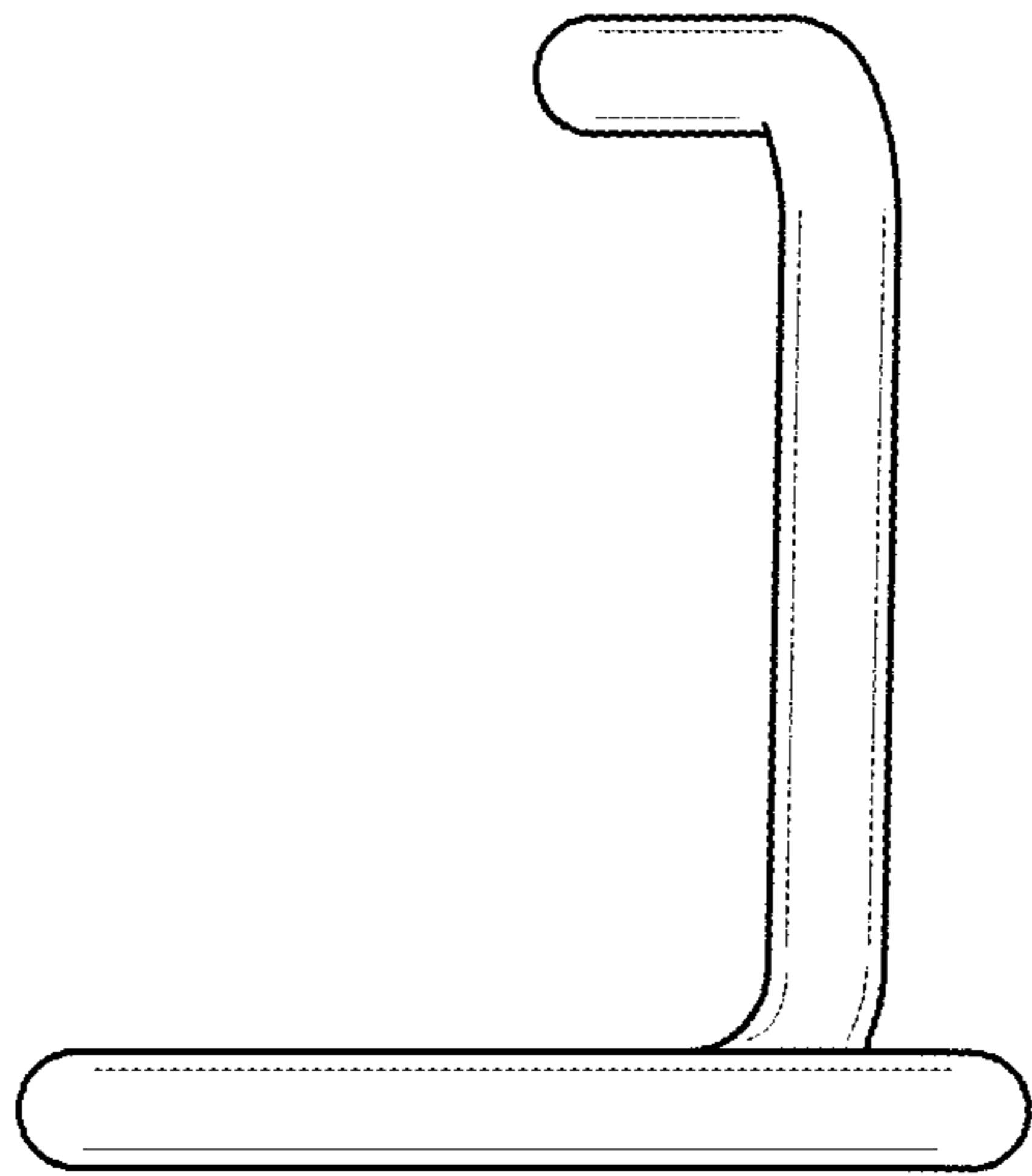


FIG. 4

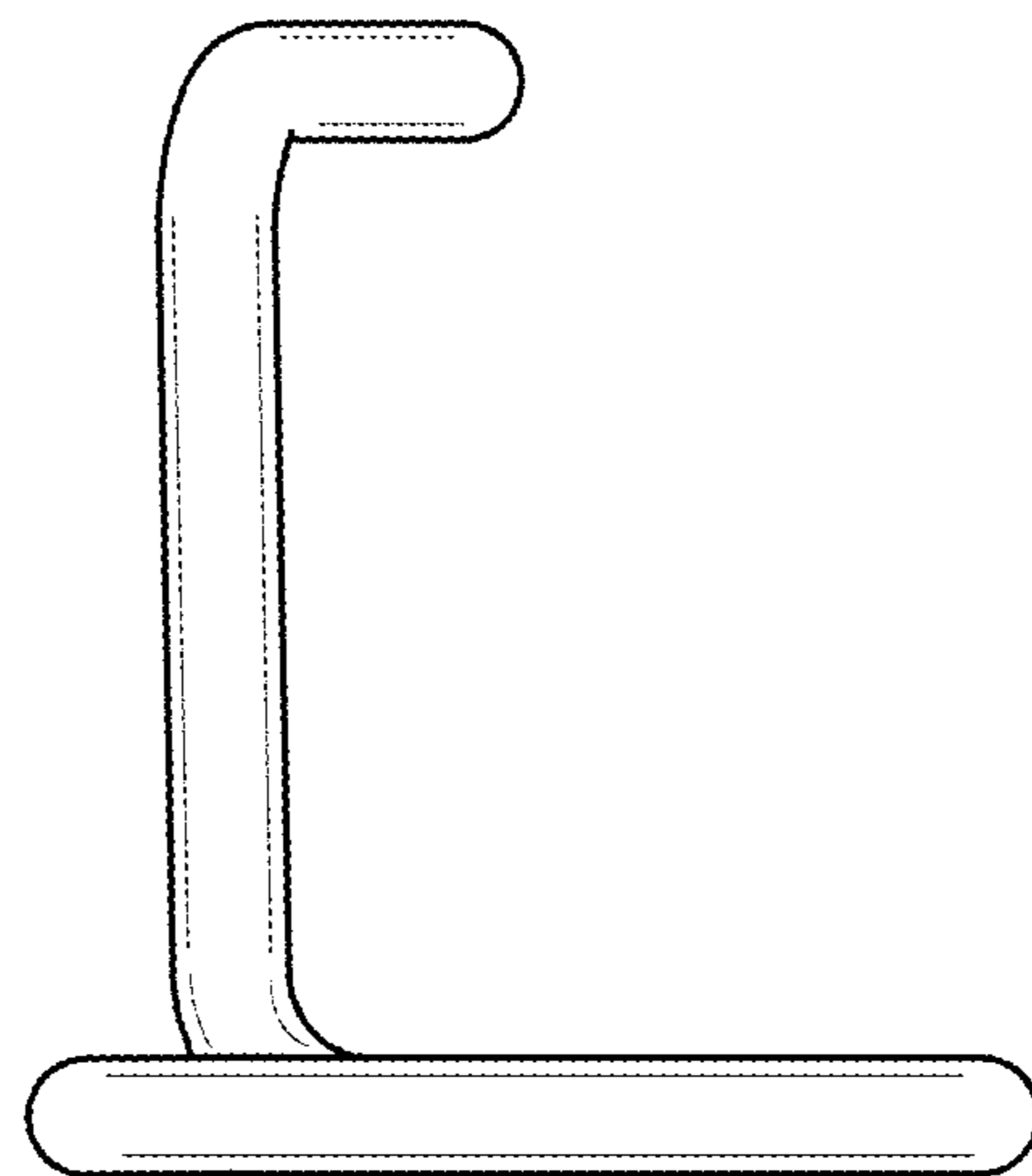


FIG. 5

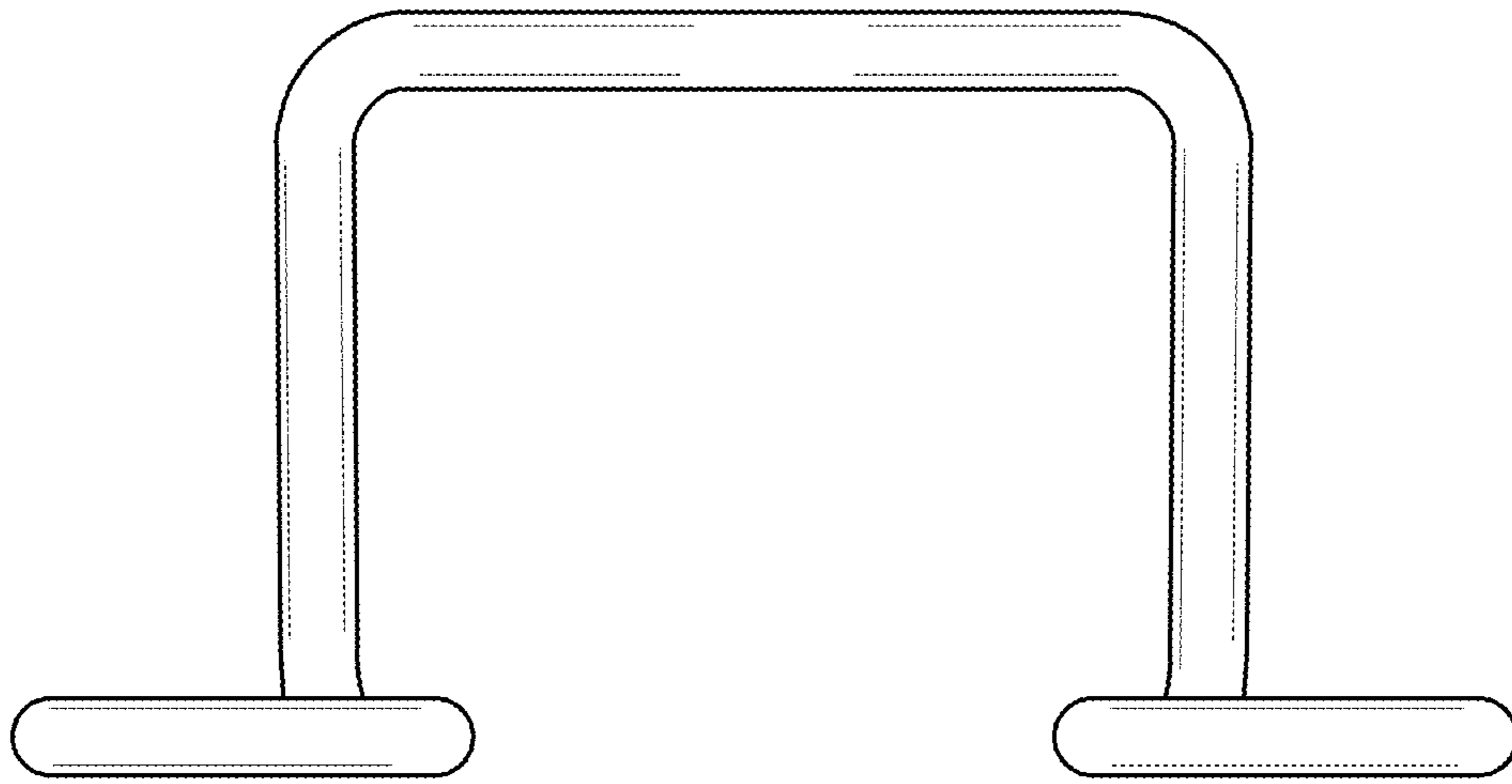


FIG. 6

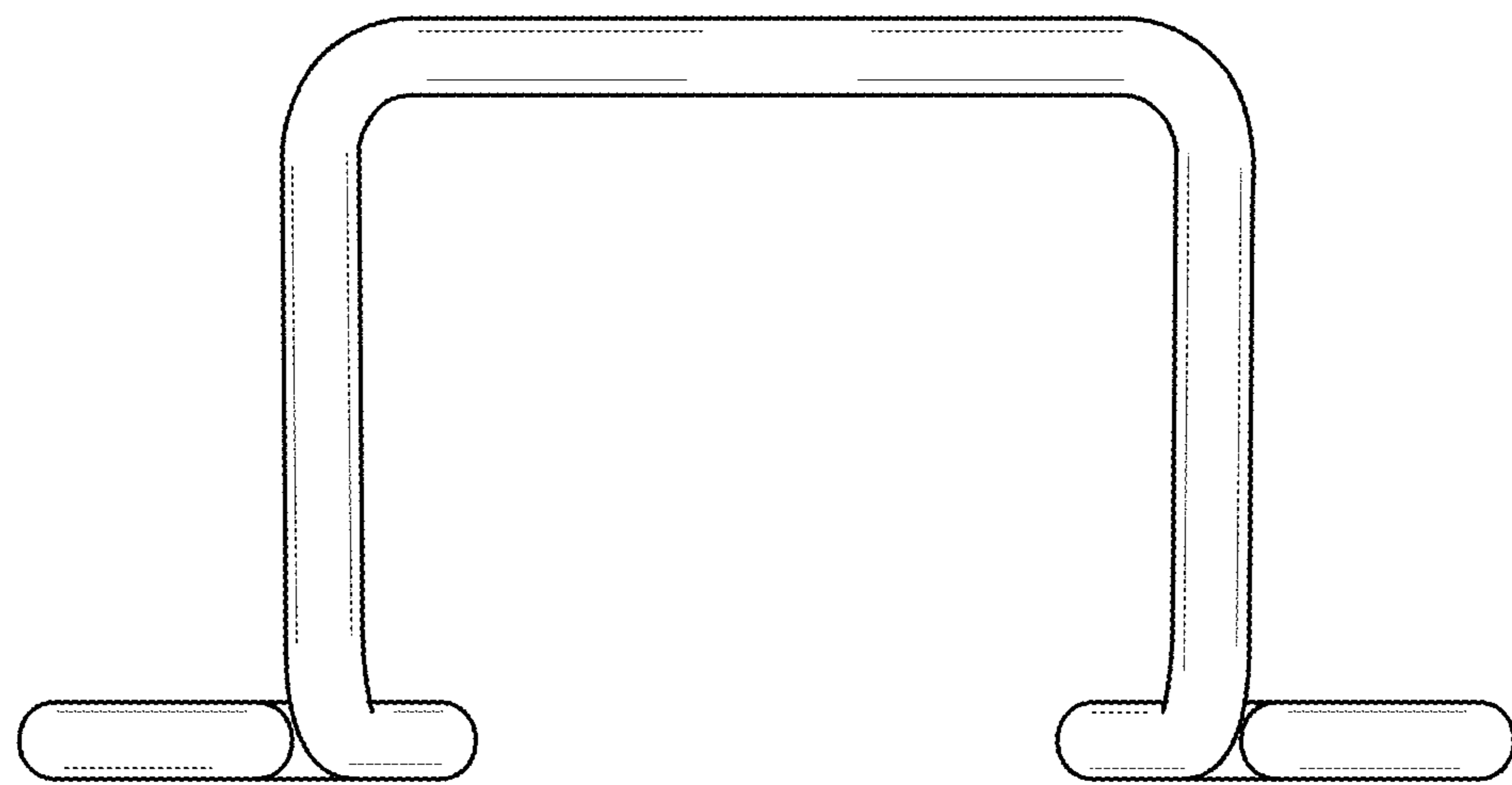


FIG. 7