



US00D889644S

(12) **United States Design Patent**
Peng

(10) **Patent No.:** **US D889,644 S**

(45) **Date of Patent:** **** Jul. 7, 2020**

(54) **CONNECTING RING FOR NEBULIZER**

(71) Applicant: **DELTA ELECTRONICS, INC.**,
Taoyuan (TW)

(72) Inventor: **Wan-Chen Peng**, Taoyuan (TW)

(73) Assignee: **DELTA ELECTRONICS, INC.**,
Taoyuan (TW)

(**) Term: **15 Years**

(21) Appl. No.: **29/626,942**

(22) Filed: **Nov. 21, 2017**

(51) **LOC (12) Cl.** **24-02**

(52) **U.S. Cl.**
USPC **D24/129**

(58) **Field of Classification Search**
USPC D24/127-131, 112-114, 133, 186;
606/181, 185; 604/264, 523-528, 272,
604/187, 158, 164.01-164.11, 181, 184,
604/227; 600/101, 139, 143;
128/200.24, 207.14, 207.15
CPC .. A61M 25/065; A61M 5/42; A61M 25/0612;
A61M 25/00; A61M 39/00; A61M 27/00;
A61M 25/0043; A61M 25/0067; A61M
25/0097; A61F 2/958
See application file for complete search history.

(56) **References Cited**

U.S. PATENT DOCUMENTS

D430,293 S * 8/2000 Jansen D24/129
D486,224 S * 2/2004 Gay, III D24/109
D686,322 S * 7/2013 Maeda D24/130

D687,144 S * 7/2013 Gronberg D24/127
D717,945 S * 11/2014 Neff D24/110.1
D736,372 S * 8/2015 Anderson D24/133
D737,963 S * 9/2015 Srinivasan D24/130
D750,779 S * 3/2016 Ahluwalia D24/133
D755,374 S * 5/2016 Oberlaender D24/133
D755,966 S * 5/2016 Ahluwalia D24/133
D755,967 S * 5/2016 Ahluwalia D24/133
D817,760 S * 5/2018 Petrosino D9/452
D818,114 S * 5/2018 Teufel D24/112

* cited by examiner

Primary Examiner — David G Muller

(74) *Attorney, Agent, or Firm* — Kirton McConkie; Evan R. Witt

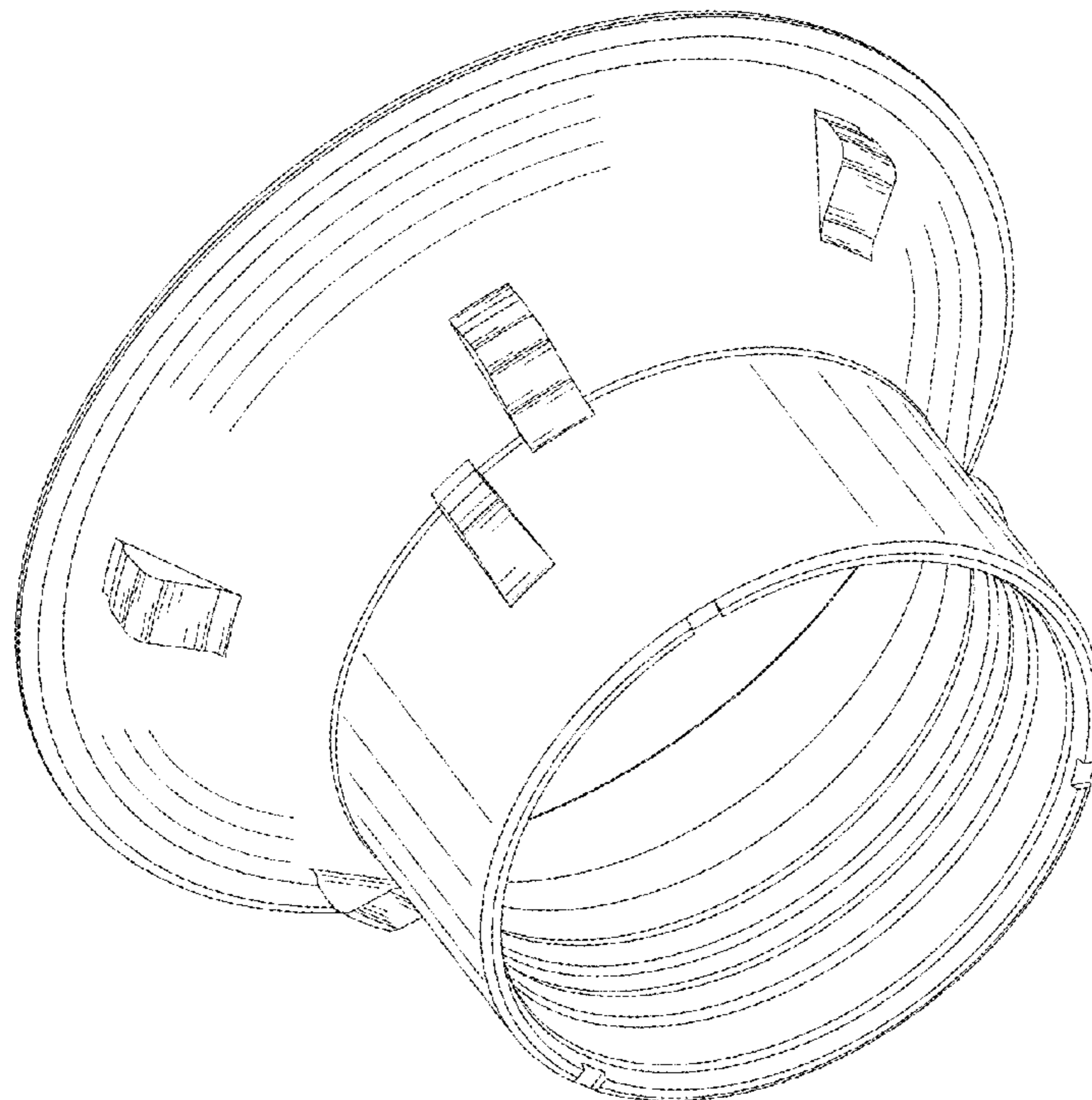
(57) **CLAIM**

The ornamental design for a connecting ring for nebulizer, as shown and described.

DESCRIPTION

FIG. 1 is a perspective view of a connecting ring for nebulizer showing my new design;
FIG. 2 is another perspective view thereof;
FIG. 3 is a front elevational view thereof;
FIG. 4 is a rear elevational view thereof;
FIG. 5 is a left side elevational view thereof;
FIG. 6 is a right side elevational view thereof;
FIG. 7 is a top plan view thereof;
FIG. 8 is a bottom plan view thereof; and,
FIG. 9 is an exploded view showing the use status of the connecting ring for nebulizer to be mounted on a box.
The broken lines are for the purpose of illustrating portions of the connecting ring for nebulizer and form no part of the claimed design.

1 Claim, 6 Drawing Sheets



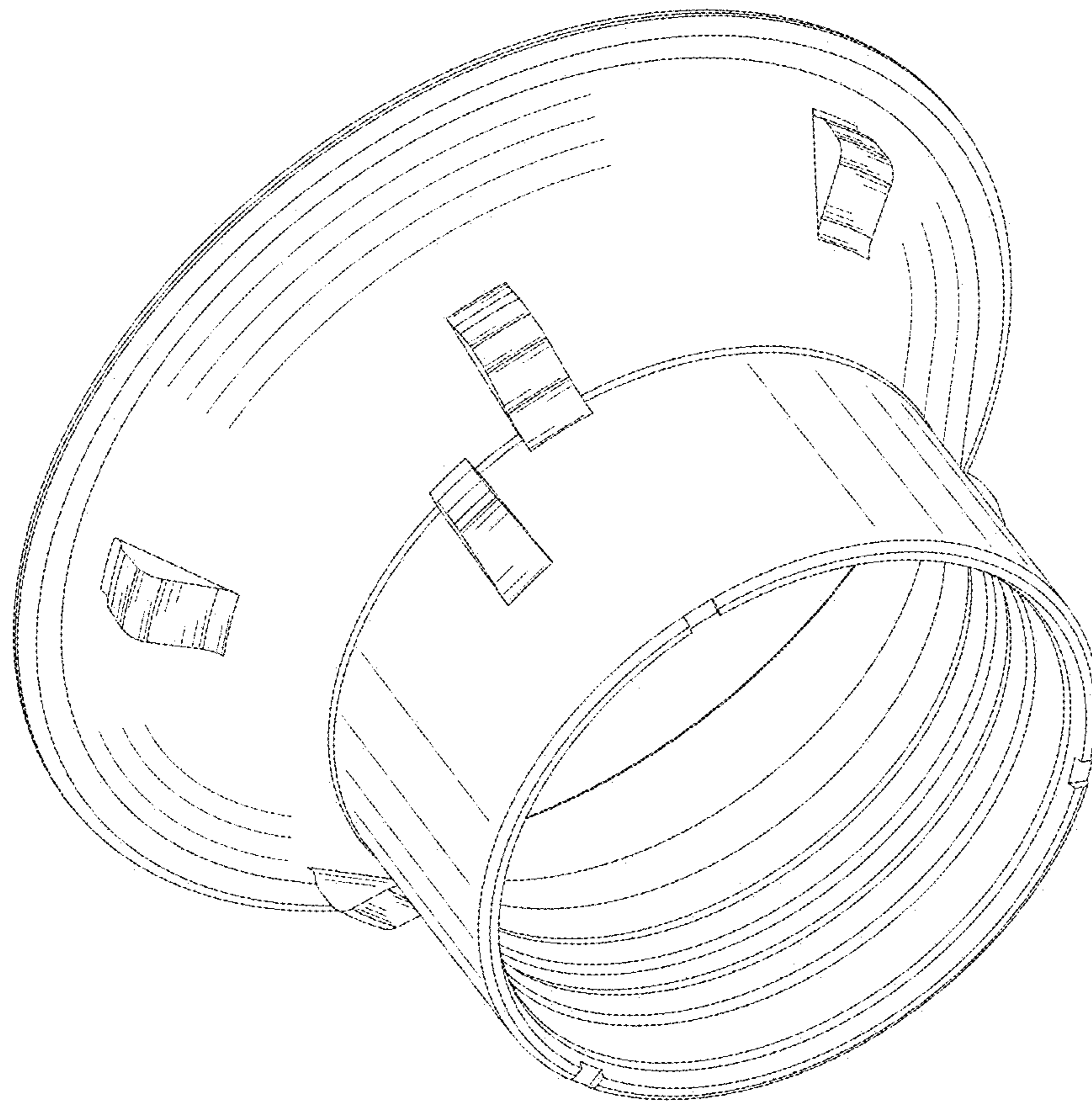


FIG. 1

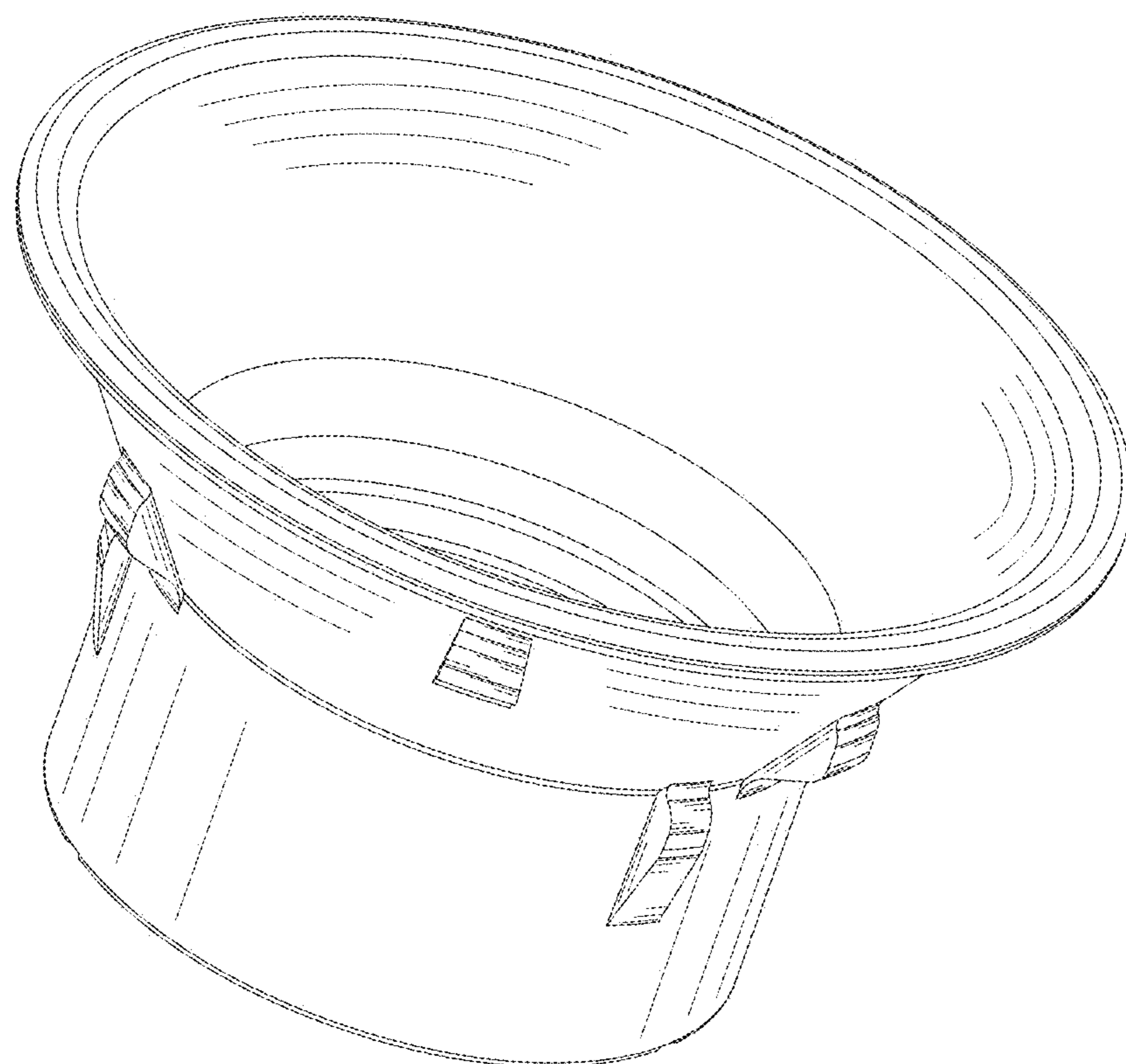


FIG. 2

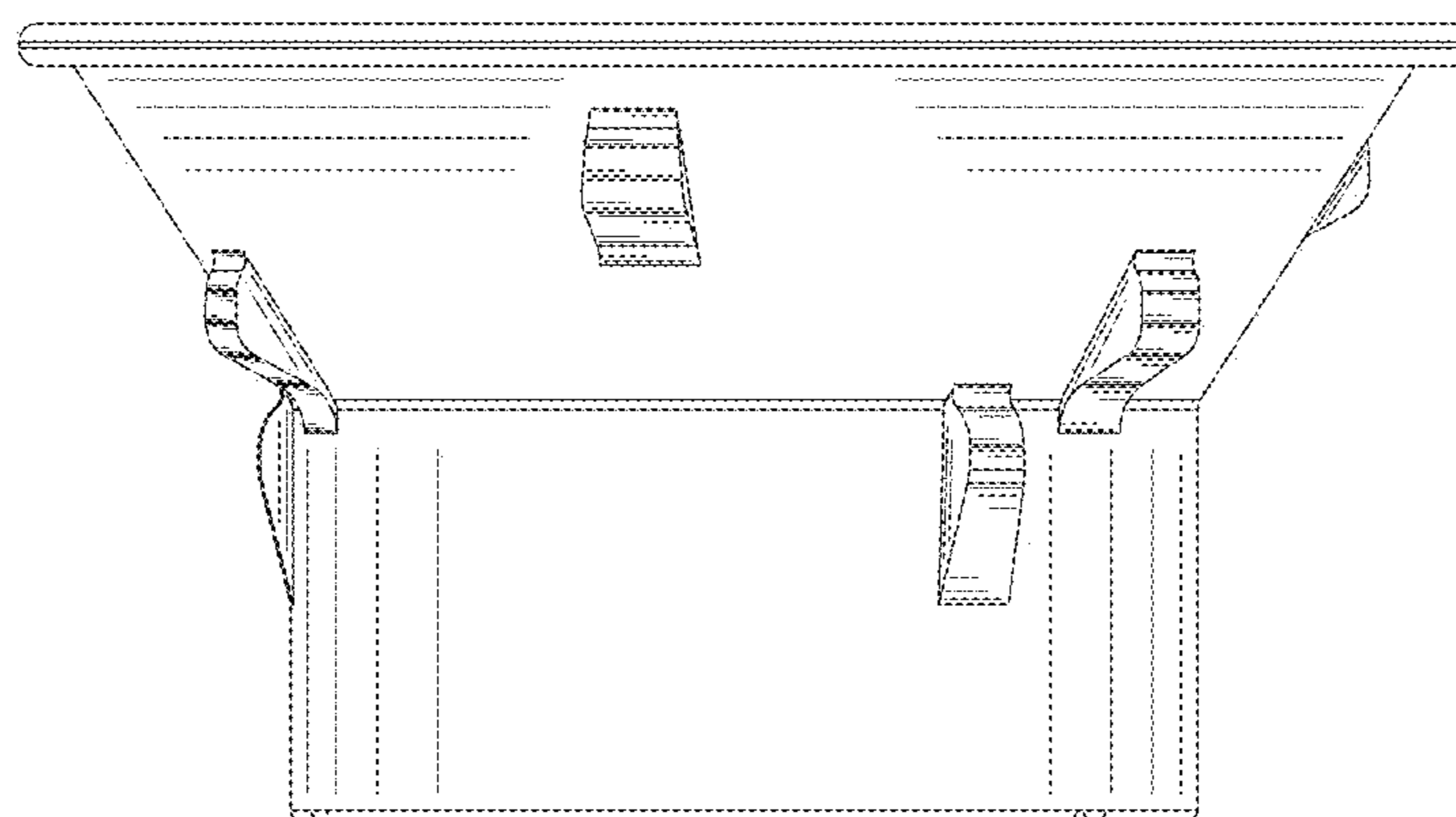


FIG. 3

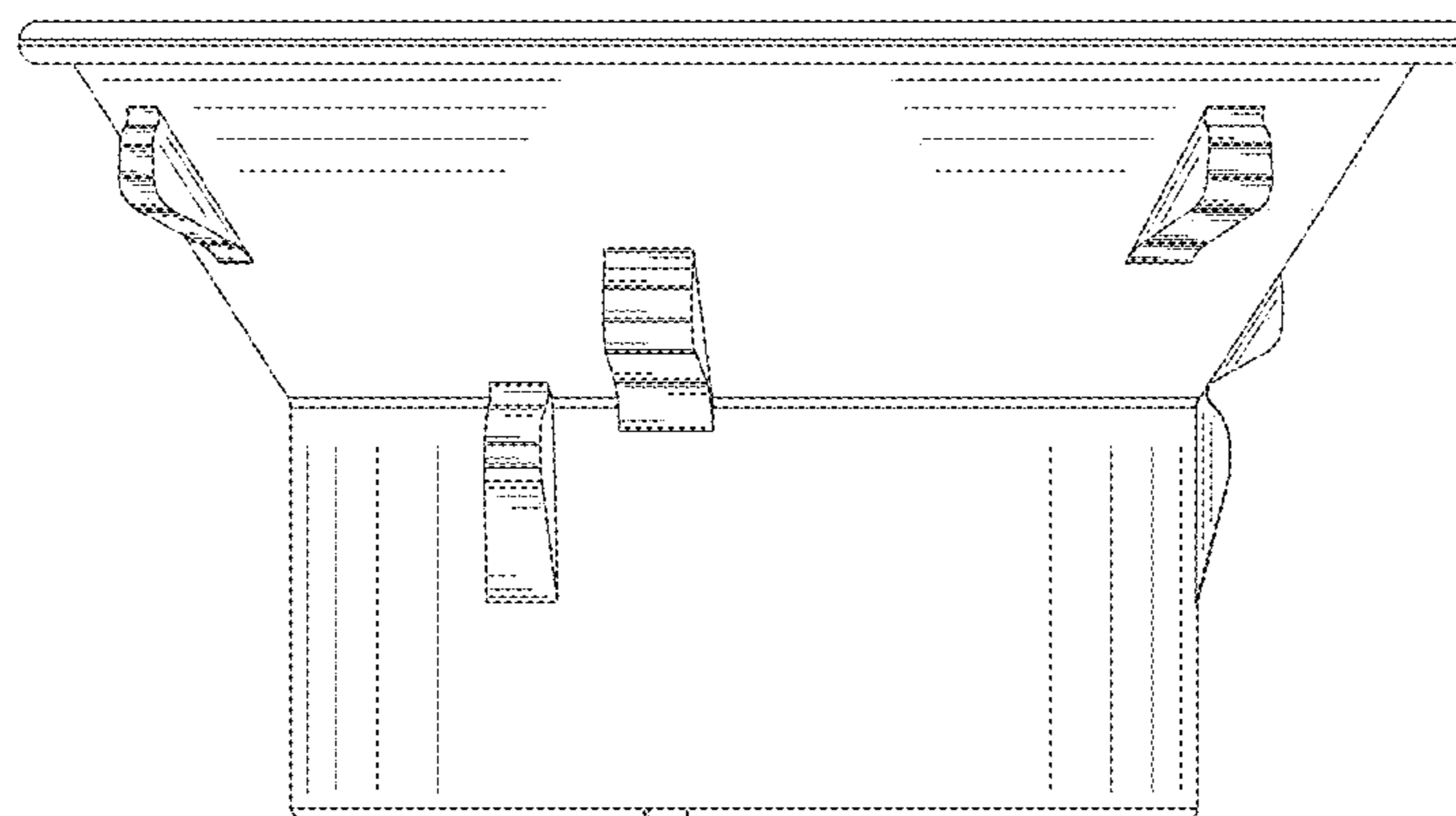


FIG. 4

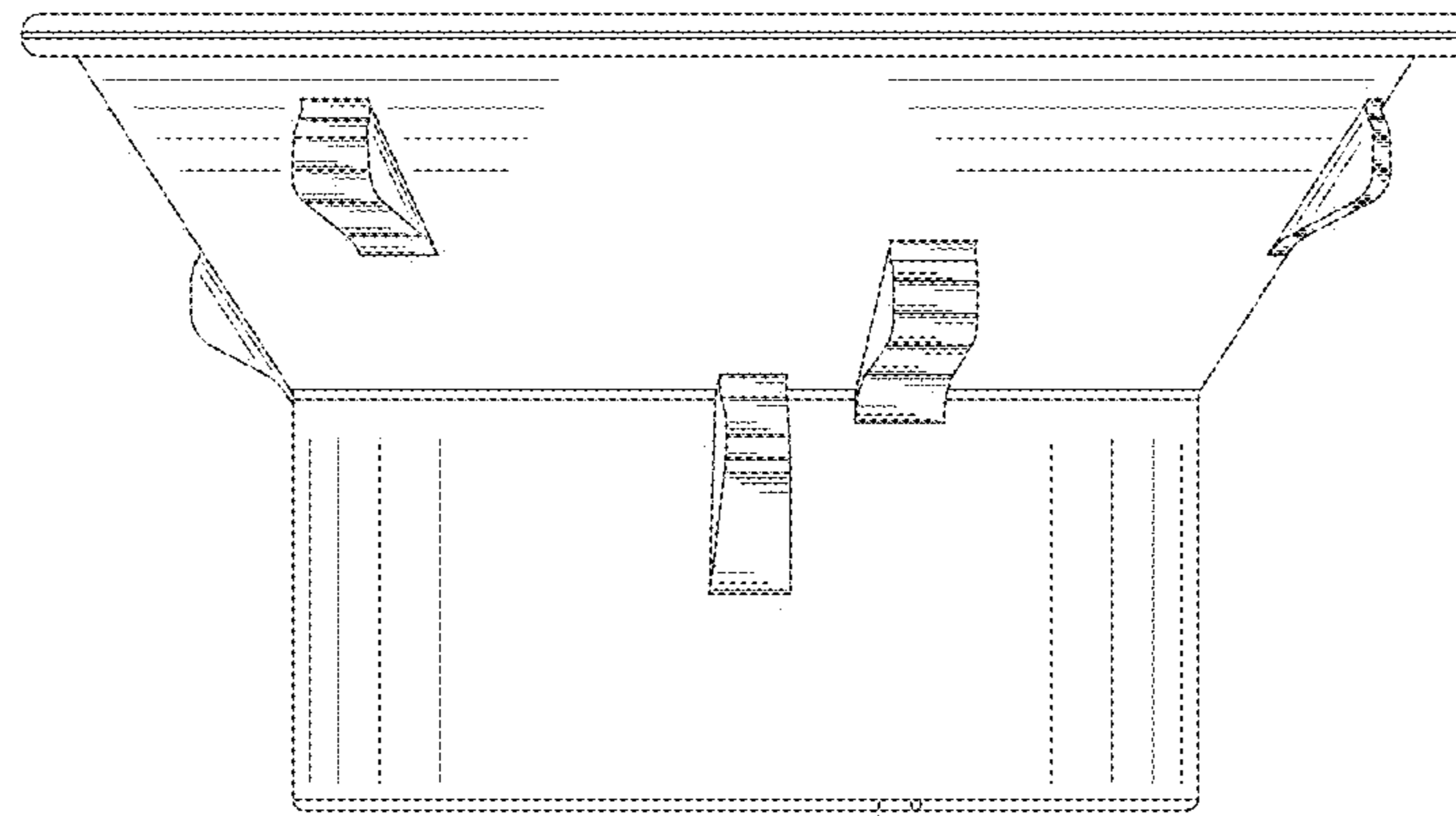


FIG. 5

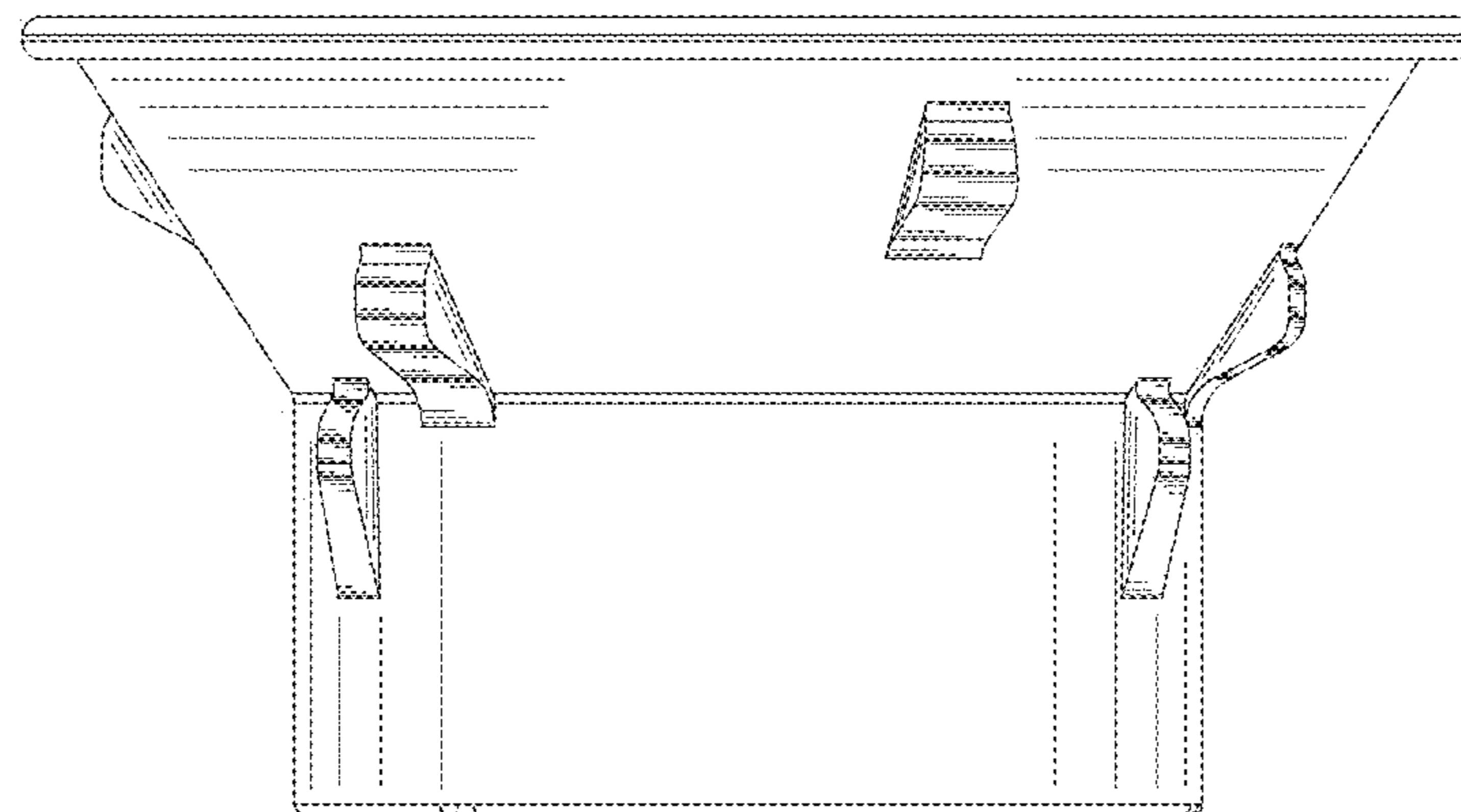


FIG. 6

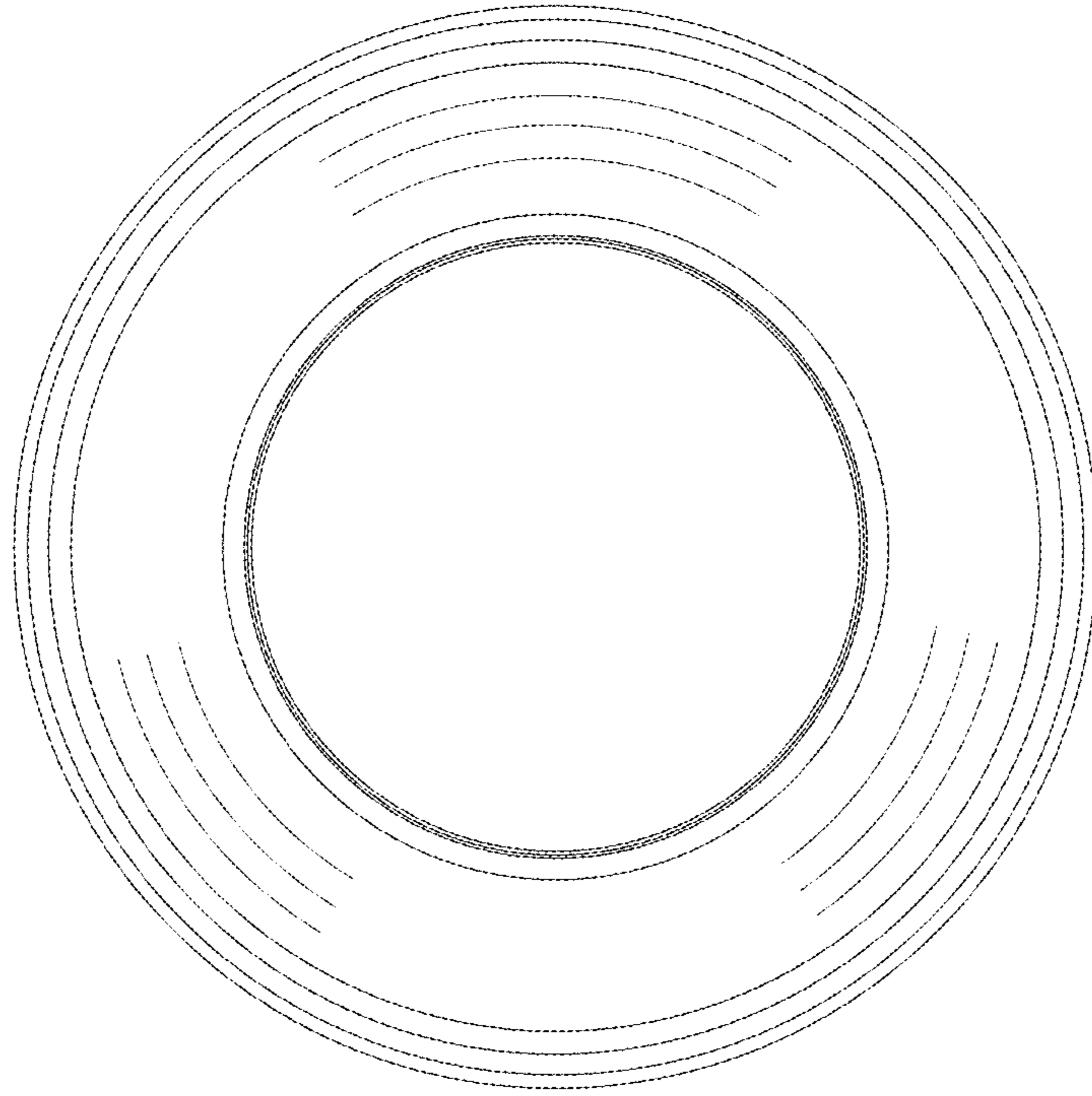


FIG. 7

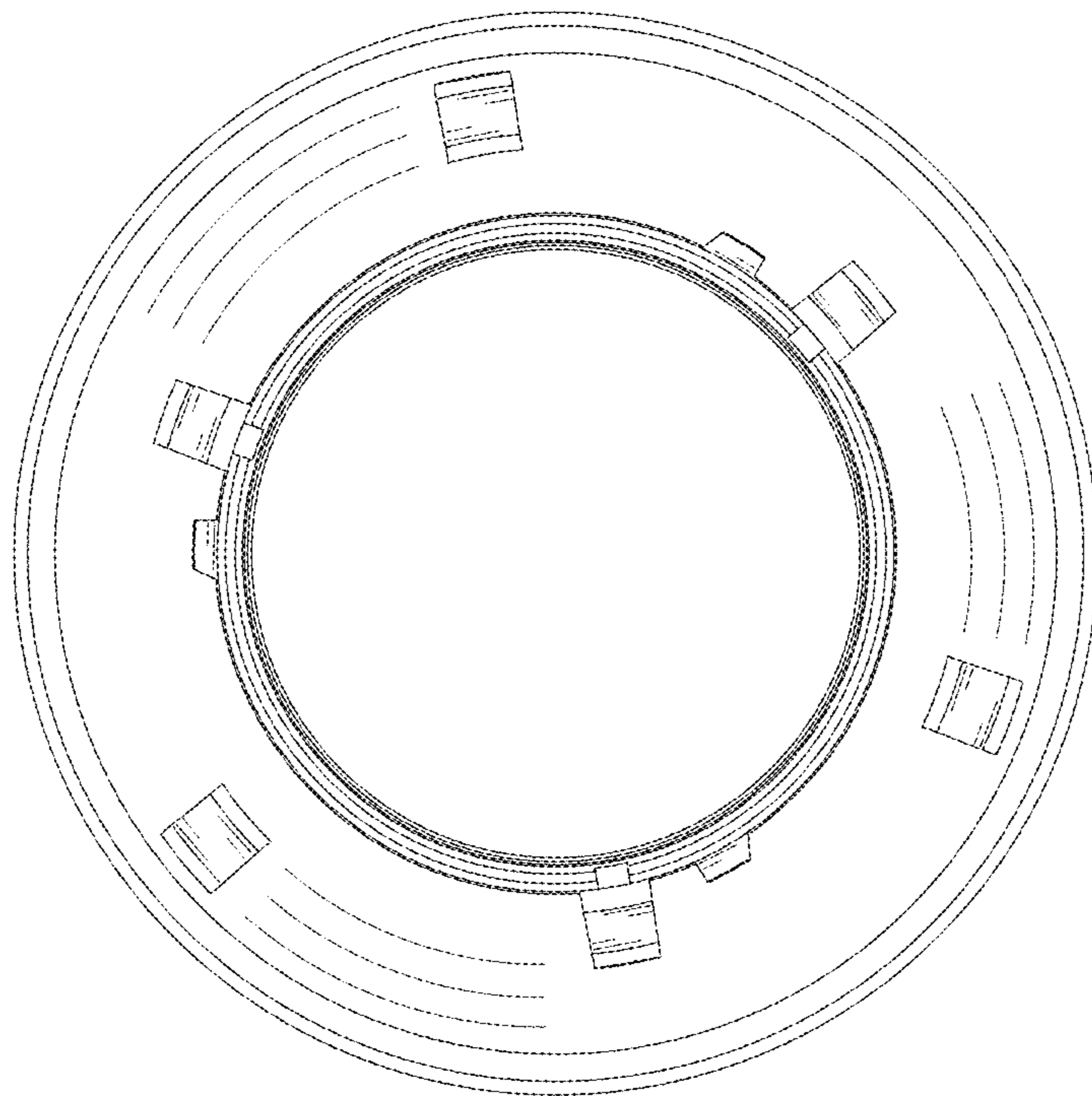


FIG. 8

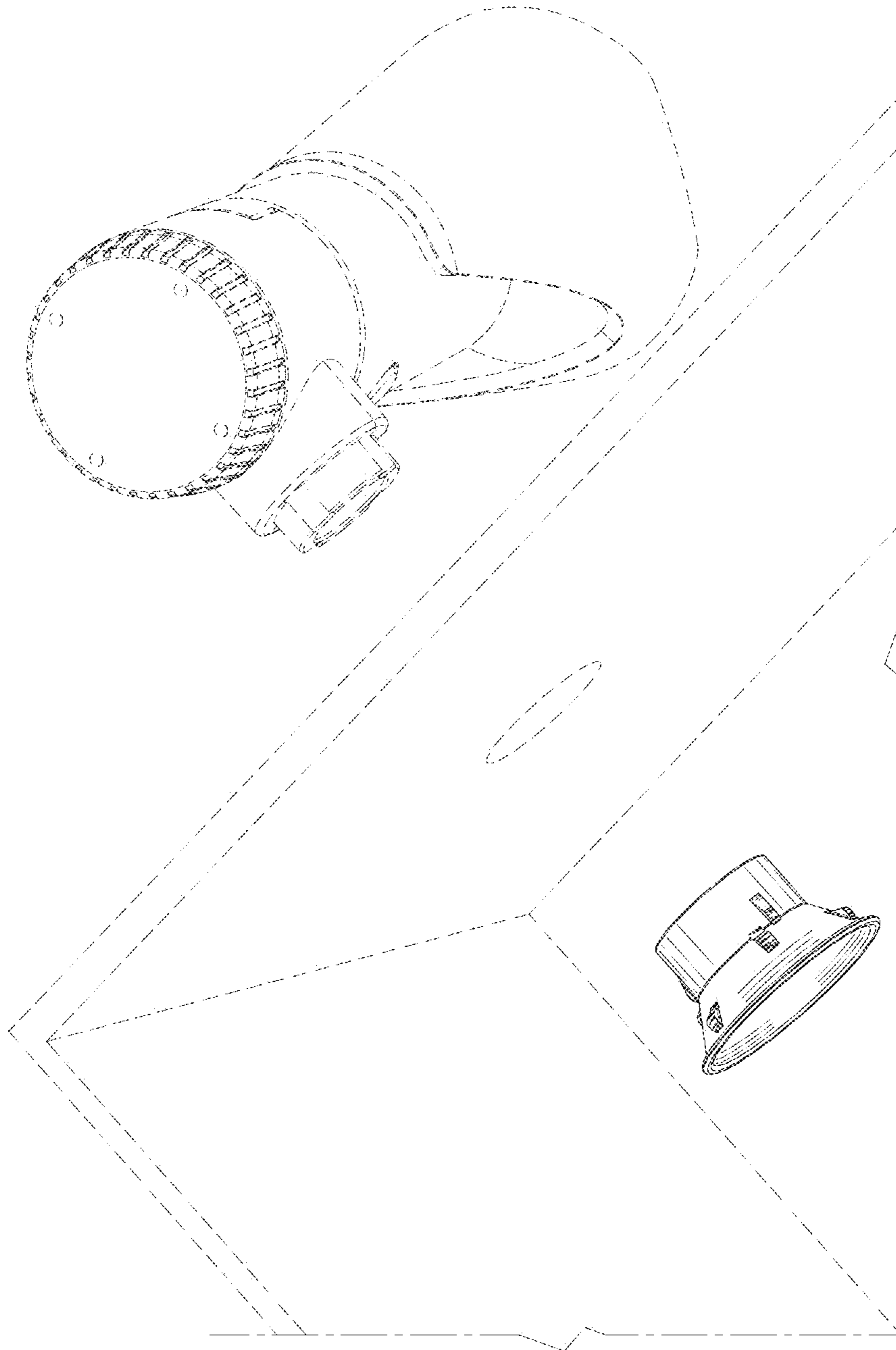


FIG. 9