



US00D889643S

(12) **United States Design Patent** (10) **Patent No.:** **US D889,643 S**
Burgess et al. (45) **Date of Patent:** **** Jul. 7, 2020**

(54) **HOSPITAL POLE AND BRACKET ARM ASSEMBLY**

(71) Applicant: **Fisher & Paykel Healthcare Limited**, Auckland (NZ)

(72) Inventors: **Aidan Robert Burgess**, Auckland (NZ); **Shane Terry Massey**, Auckland (NZ); **Taylor James Edwards**, Auckland (NZ); **Craig Karl White**, Auckland (NZ)

(73) Assignee: **Fisher & Paykel Healthcare Limited**, Auckland (NZ)

(**) Term: **15 Years**

(21) Appl. No.: **29/697,966**

(22) Filed: **Jul. 12, 2019**

Related U.S. Application Data

(62) Division of application No. 29/605,819, filed on May 30, 2017, now Pat. No. Des. 860,438.

(51) **LOC (12) Cl.** **24-02**

(52) **U.S. Cl.**
USPC **D24/128**

(58) **Field of Classification Search**
USPC D08/353, 356, 363, 366, 371, 373, 380, D08/381; D13/154; D14/140.6, 452; D24/127, 128, 234; D25/119, 120, 121
(Continued)

(56) **References Cited**

U.S. PATENT DOCUMENTS

D255,718 S * 7/1980 Hunt D19/64
D357,406 S * 4/1995 Whitaker D8/380
(Continued)

FOREIGN PATENT DOCUMENTS

WO WO 2018/195154 10/2018

OTHER PUBLICATIONS

WALI Single LCD Monitor Desk Mount Fully Adjustable Stand Fits One Screen up to 27", 22 lbs. Weight Capacity (M001), Black, posted Nov. 27, 2015, [retrieved May 17, 2018]. Retrieved from Internet, <URL: <https://www.amazon.com/WALK-Single-Monitor-Adjustable-Capacity/dp/B018MT6ZEK>>.

(Continued)

Primary Examiner — Shannon W Morgan

Assistant Examiner — Kristin Reed

(74) *Attorney, Agent, or Firm* — Knobbe, Martens, Olson & Bear, LLP

(57) **CLAIM**

The ornamental design for a hospital pole and bracket arm assembly, as shown and described.

DESCRIPTION

FIG. 1 is a perspective view showing a front, top and right side of a hospital pole and bracket arm assembly.

FIG. 2 is a perspective view showing a front, top and left side thereof.

FIG. 3 is a front view thereof.

FIG. 4 is a rear view thereof.

FIG. 5 is a right side view thereof.

FIG. 6 is a left side view thereof.

FIG. 7 is a top view thereof.

FIG. 8 is a bottom view thereof.

FIG. 9 is a perspective view showing a front, top and right side of a hospital pole and bracket arm assembly.

FIG. 10 is a perspective view showing a front, top and left side thereof.

FIG. 11 is a front view thereof.

FIG. 12 is a rear view thereof.

FIG. 13 is a right side view thereof.

FIG. 14 is a left side view thereof.

FIG. 15 is a top view thereof.

FIG. 16 is a bottom view thereof.

FIG. 17 is a perspective view showing a front, top and right side of a hospital pole and bracket arm assembly.

FIG. 18 is a perspective view showing a front, top and left side thereof.

(Continued)

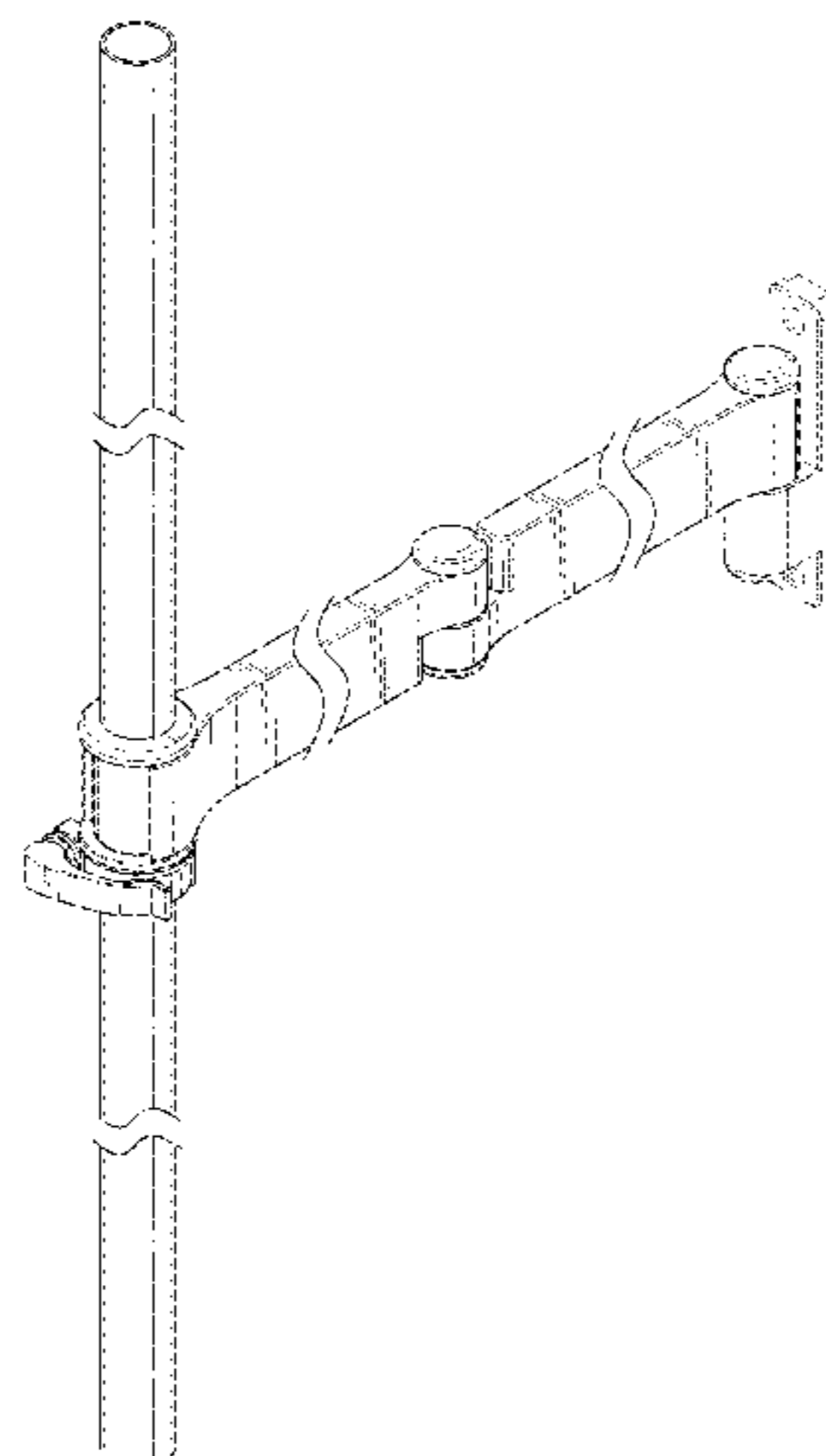


FIG. 19 is a front view thereof.
 FIG. 20 is a rear view thereof.
 FIG. 21 is a right side view thereof.
 FIG. 22 is a left side view thereof.
 FIG. 23 is a top view thereof; and,
 FIG. 24 is a bottom view thereof.

The dashed broken lines in the drawings show a connector that is a part of the environment of the hospital pole and bracket arm assembly and form no part of the claimed design.

The hospital pole and bracket arm assembly is shown with a symbolic break in its length. The appearance of any portion of the article between the break lines forms no part of the claimed design.

1 Claim, 18 Drawing Sheets

(58) **Field of Classification Search**

CPC A47B 87/00; A47B 96/02; A47B 96/06;
 A47B 57/06; A47B 87/005; A47B 57/34;
 A47B 96/021; A47B 96/061; B63B
 22/00; F16B 37/02; F21V 21/02; F21S
 8/00; G10K 1/26; G10K 1/28; G10K
 9/22; H02G 1/00

See application file for complete search history.

(56) **References Cited**

U.S. PATENT DOCUMENTS

D357,922 S 5/1995 Nysether et al.
 D462,893 S * 9/2002 Sung D8/373

D491,574 S * 6/2004 Hung D14/452
 7,364,127 B2 * 4/2008 Huang F16M 11/10
 248/276.1
 D632,301 S * 2/2011 Kasuga D14/452
 D649,535 S * 11/2011 Lau D14/239
 8,459,602 B2 * 6/2013 Herskovic A61G 7/0503
 248/229.13
 D742,206 S * 11/2015 Bowman D8/363
 9,746,130 B2 * 8/2017 Hung G06F 1/1601
 9,755,375 B2 * 9/2017 Xiang F16M 11/12
 9,890,899 B2 * 2/2018 Theis A47B 23/04
 D870,548 S * 12/2019 Modracek D8/396

OTHER PUBLICATIONS

Home > Ergonomic Products > Monitor Arms > Glide Monitor Arm, posted unknown, [retrieved May 17, 2018]. Retrieved from Internet, <URL: https://genesys-uk.com/Glide-Monitor-Arm.html?cPath=9_13>.

Humanscale M/Flex Monitor Arm—One Monitor Solution, posted Feb. 18, 2016, [retrieved May 17, 2018]. Retrieved from Internet, <URL://www.thehumansolution.com/humanscale-milex-monitor-arm.html>.

CH-1003, posted unknown, [retrieved May 17, 2018]. Retrieved from Internet, <URL: <https://www.hatchmed.com/lvtow-1/>>.

* cited by examiner

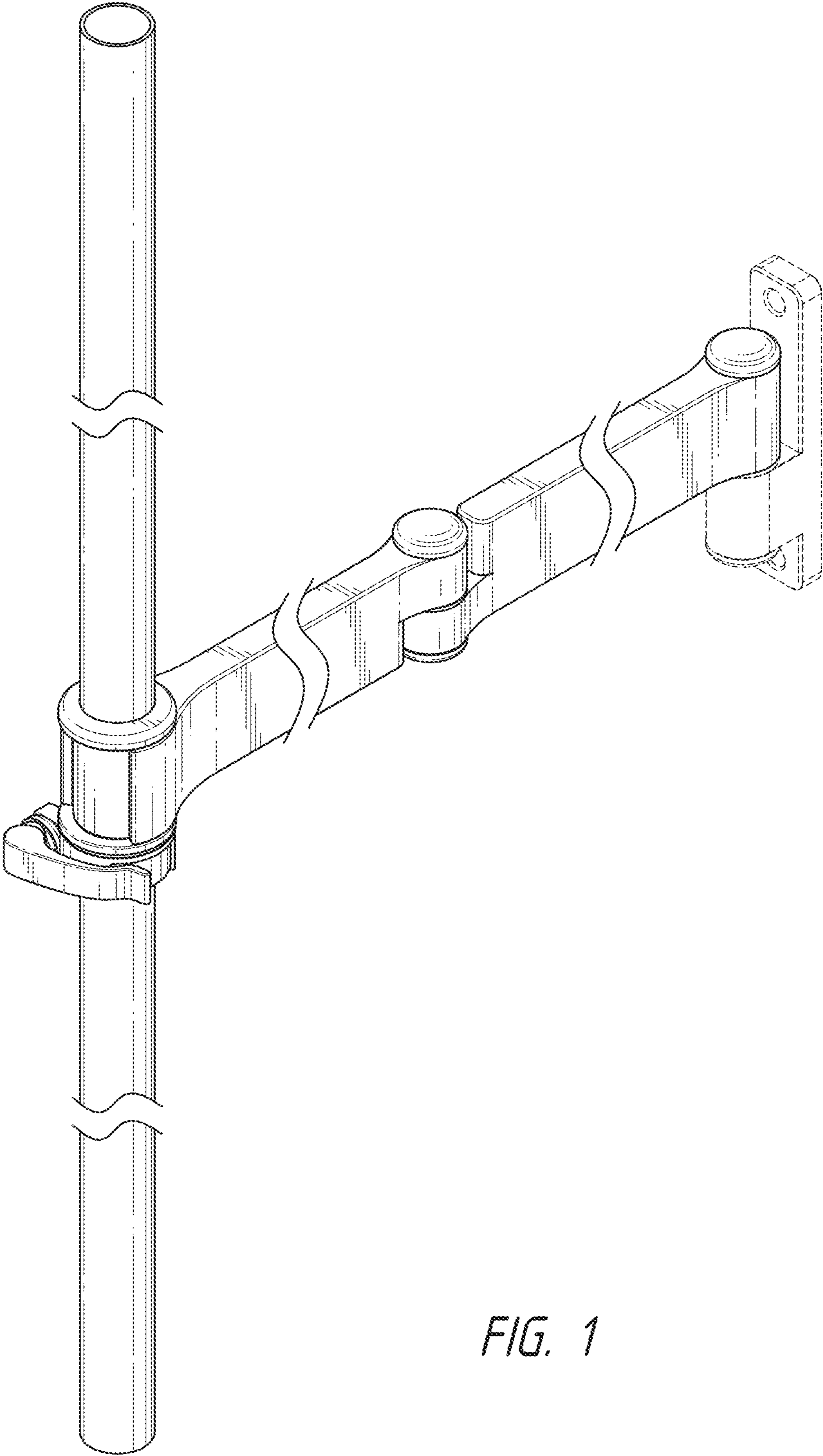


FIG. 1

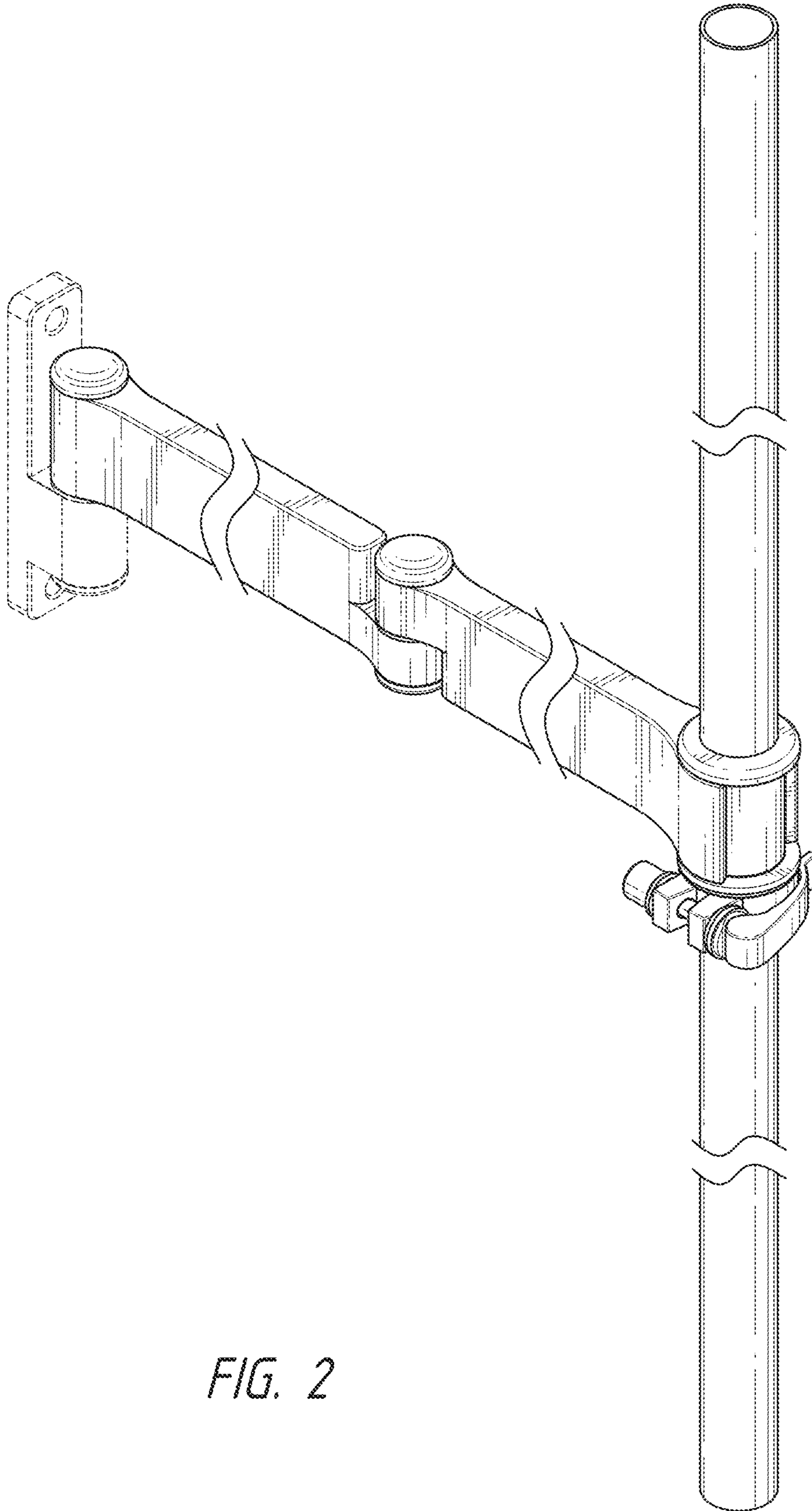


FIG. 2

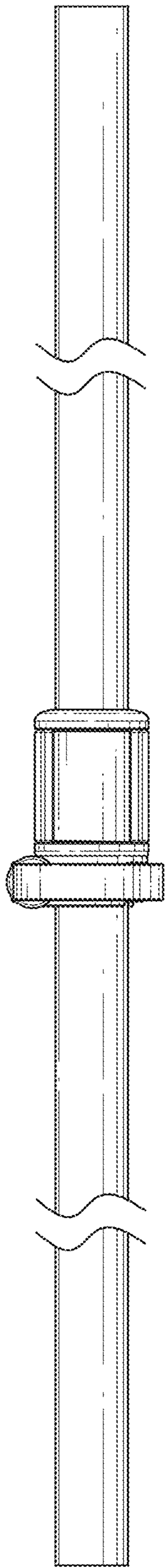


FIG. 3

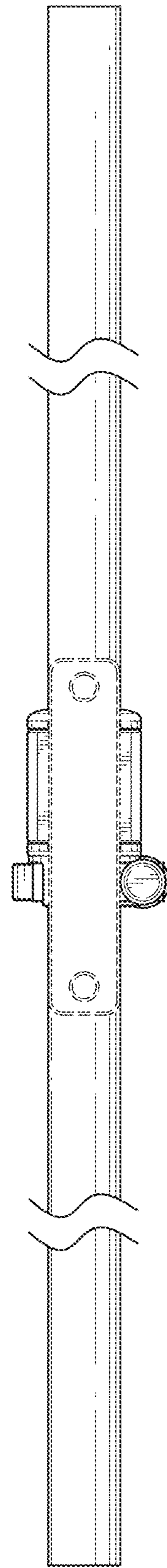


FIG. 4

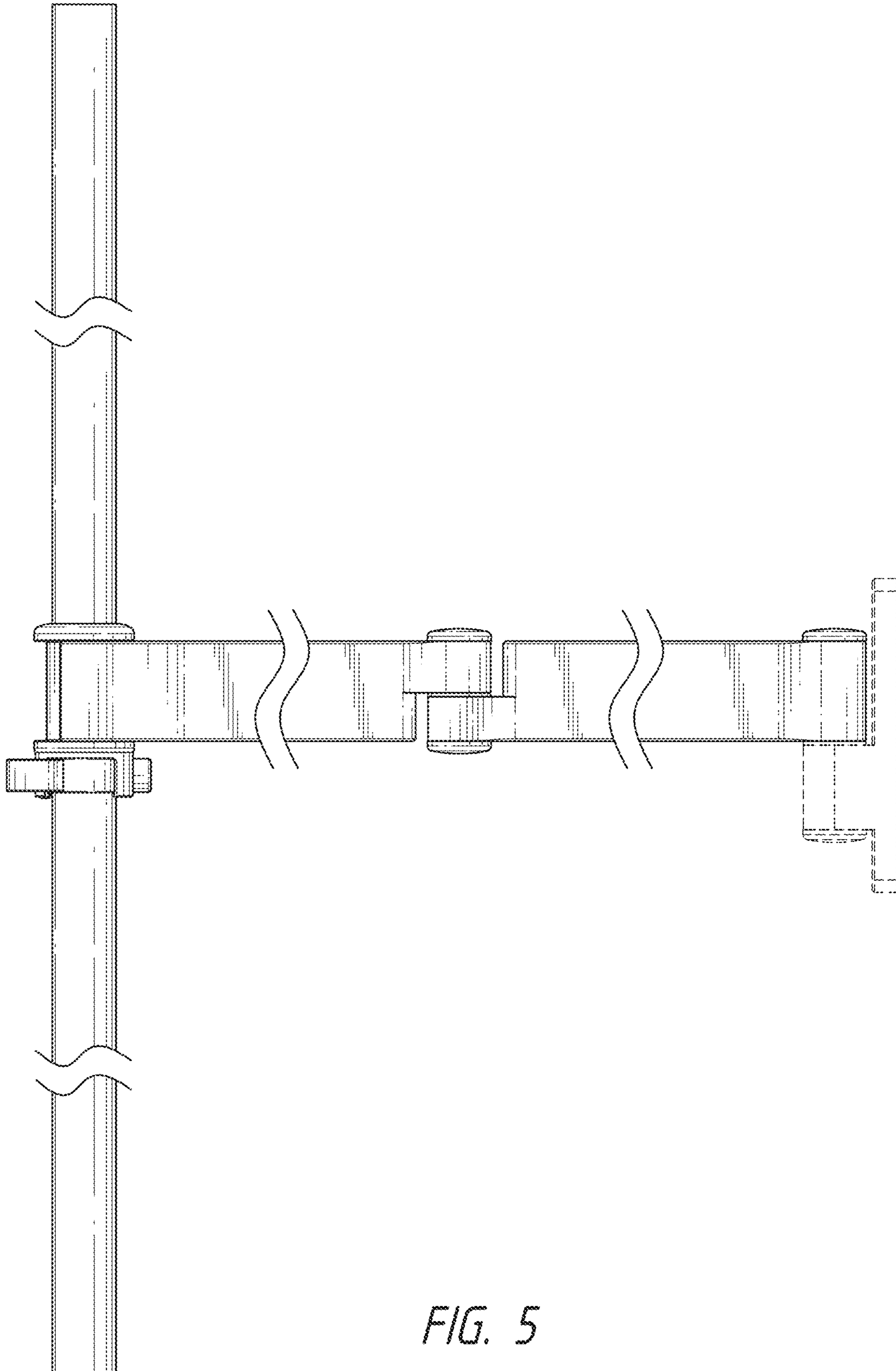


FIG. 5

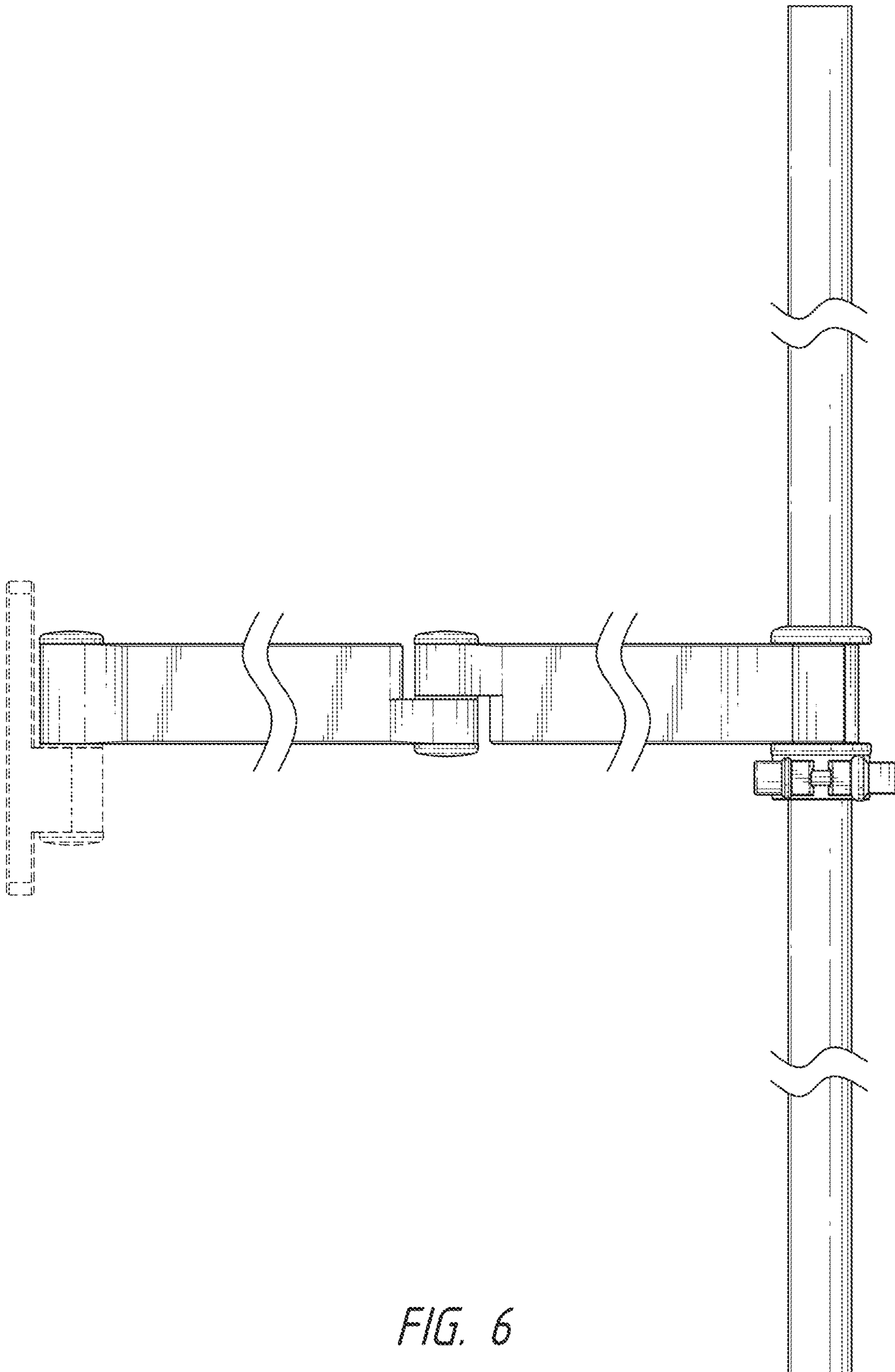


FIG. 6

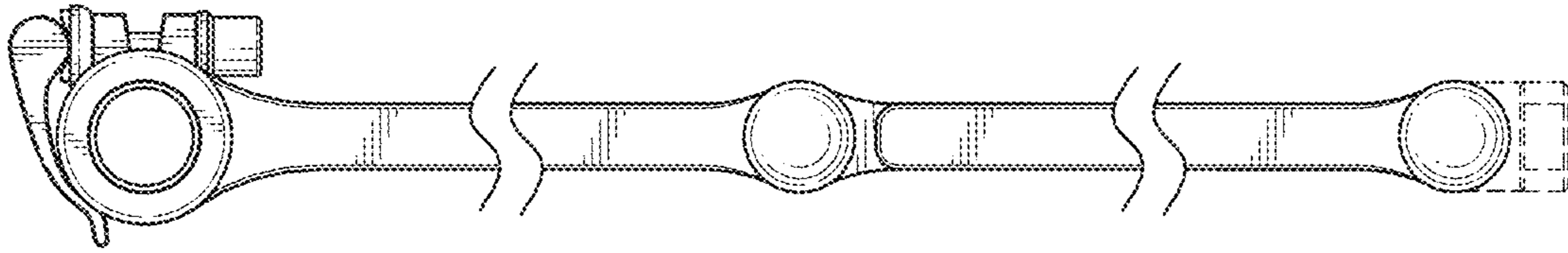


FIG. 7

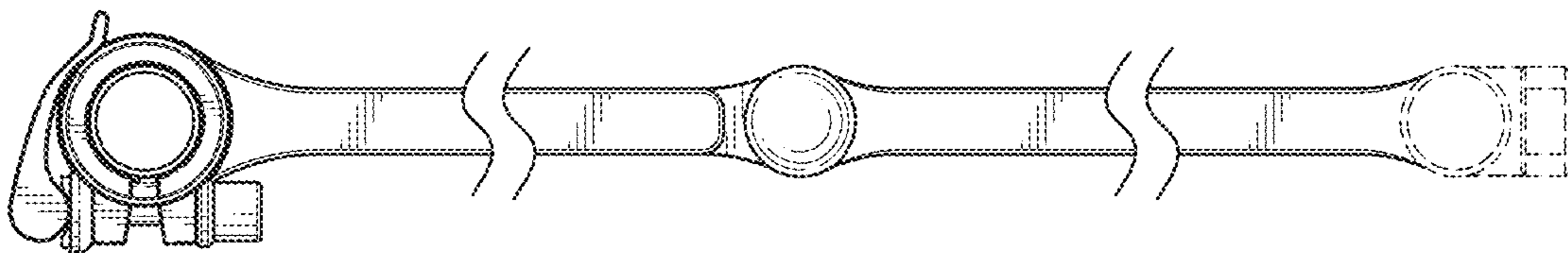


FIG. 8

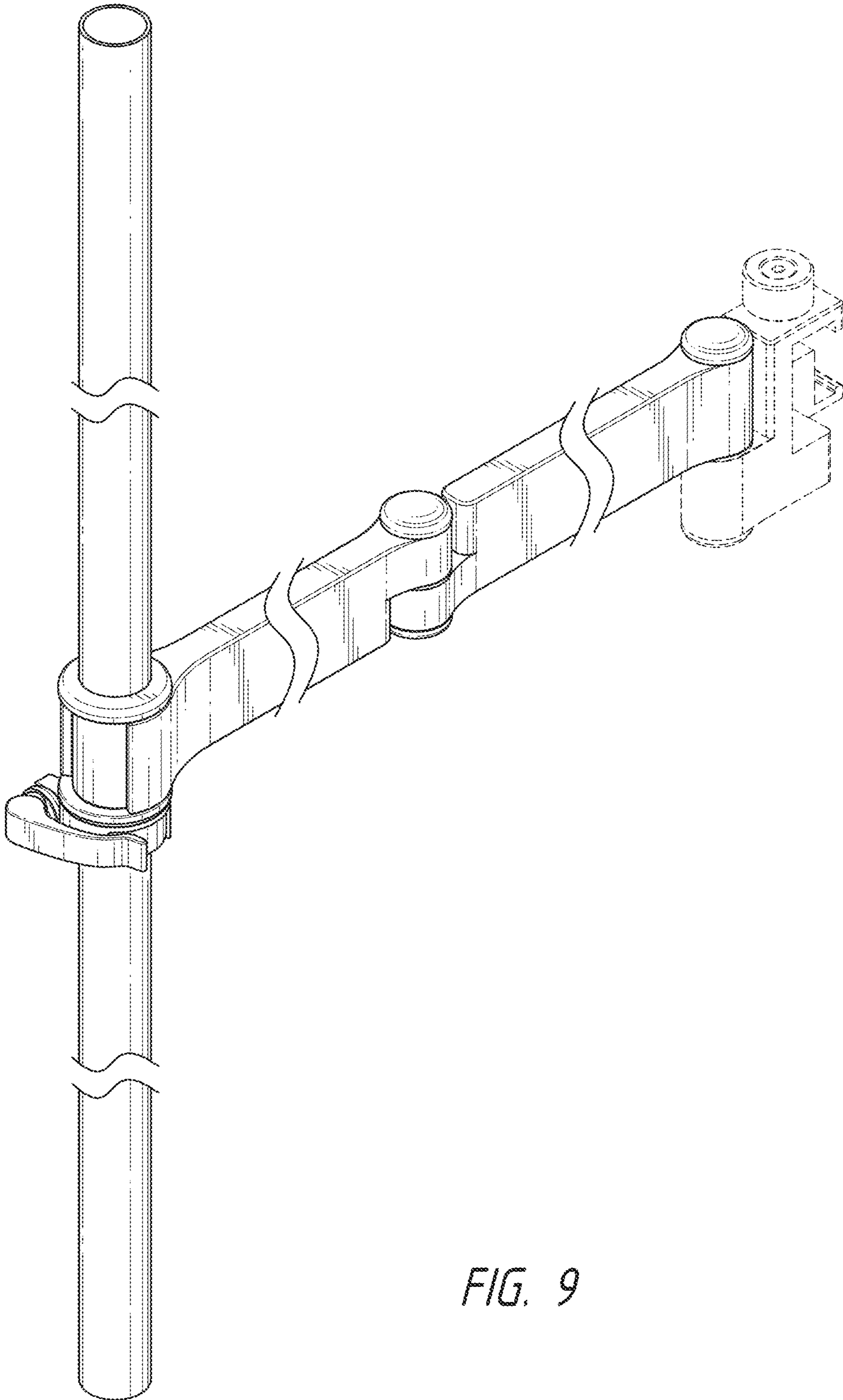


FIG. 9

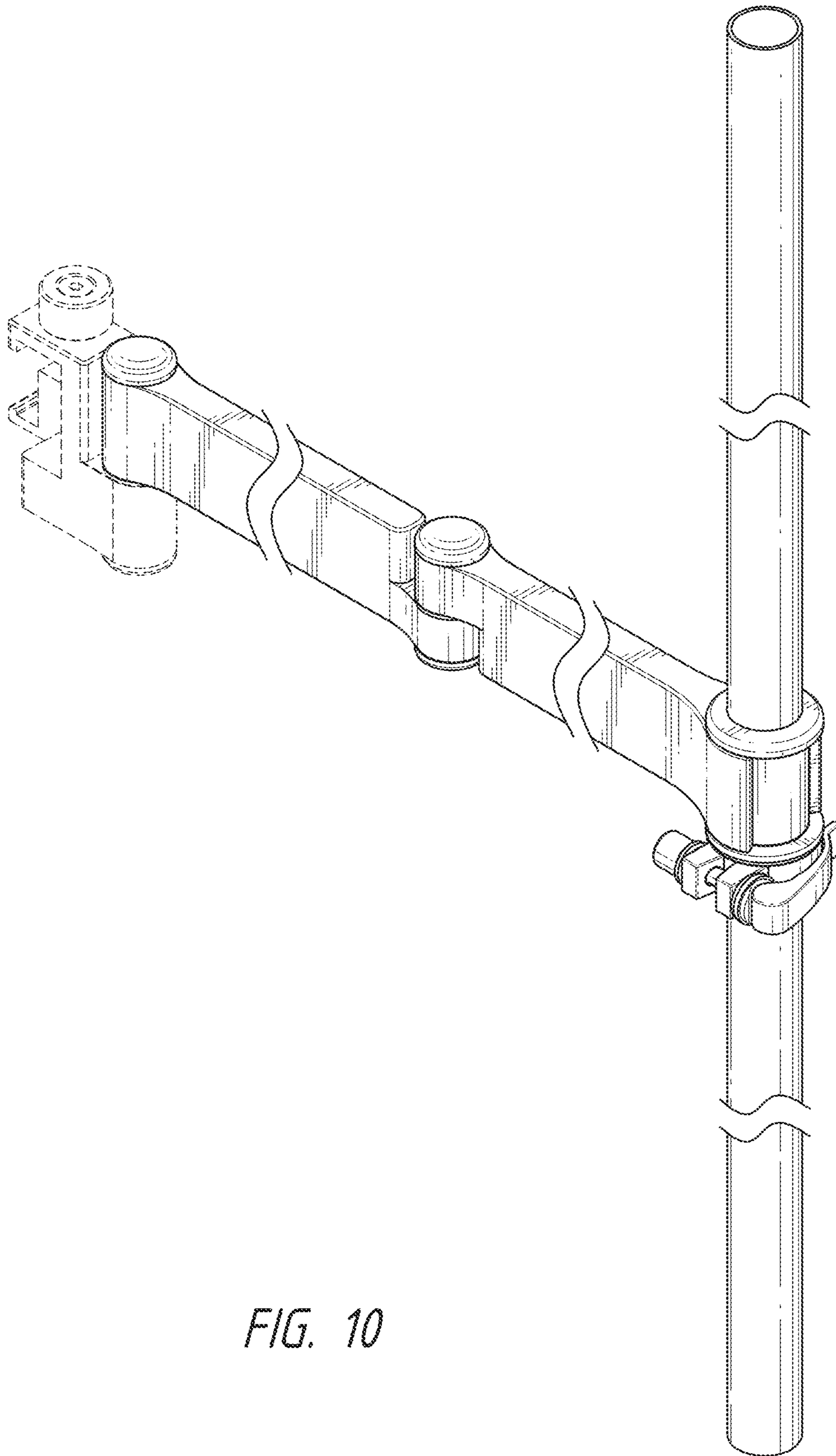


FIG. 10

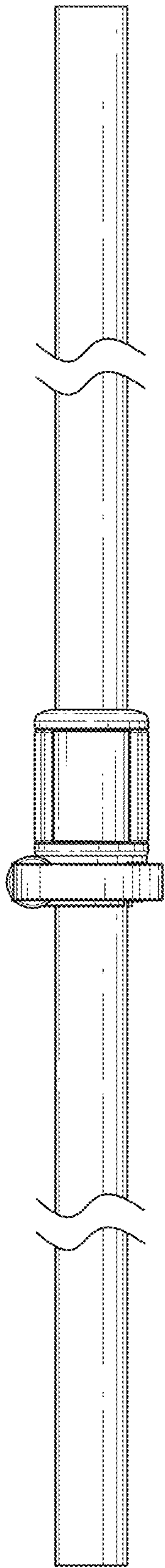


FIG. 11

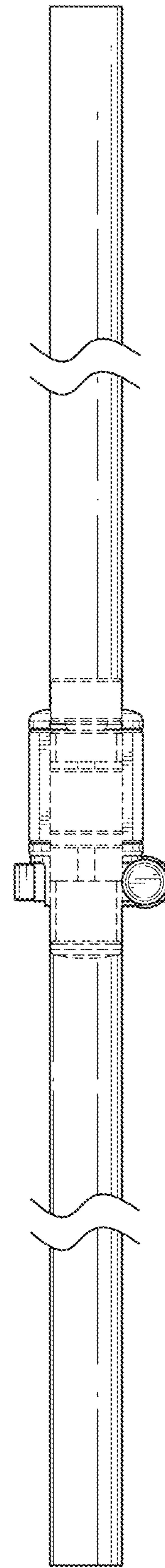


FIG. 12

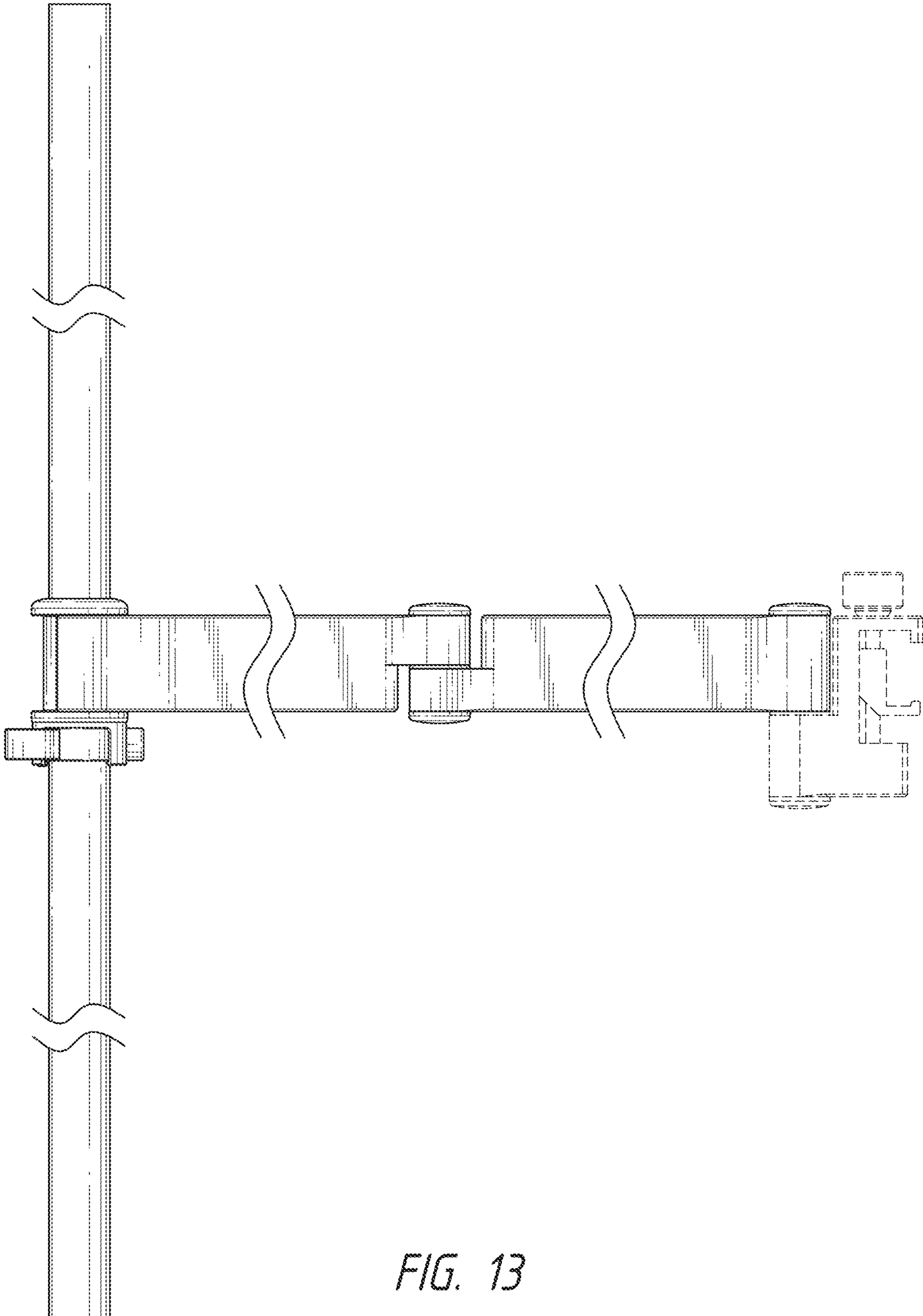


FIG. 13

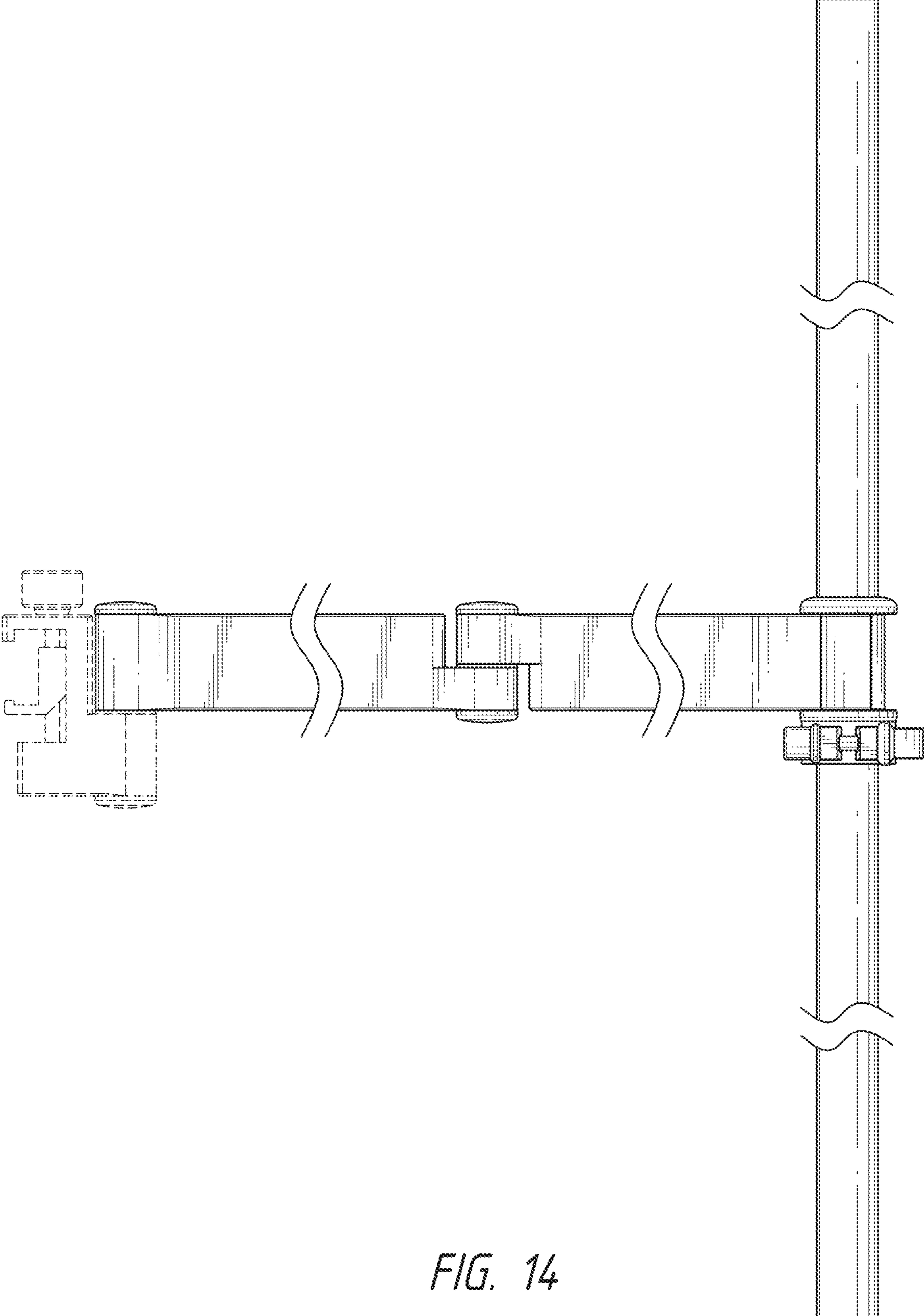


FIG. 14

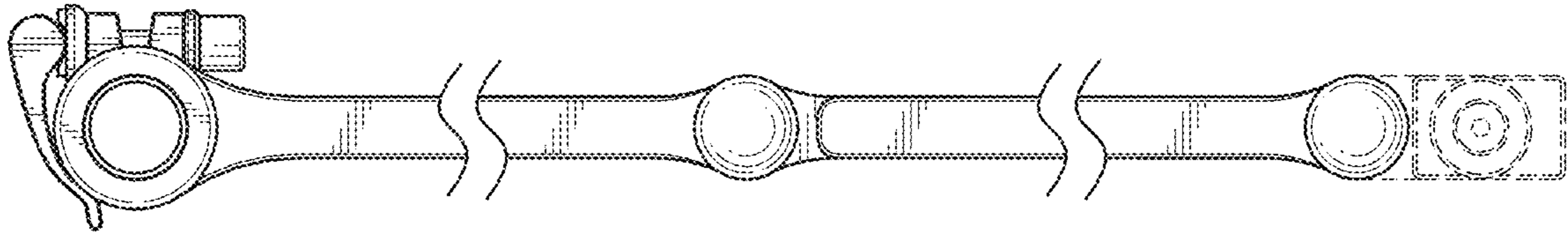


FIG. 15

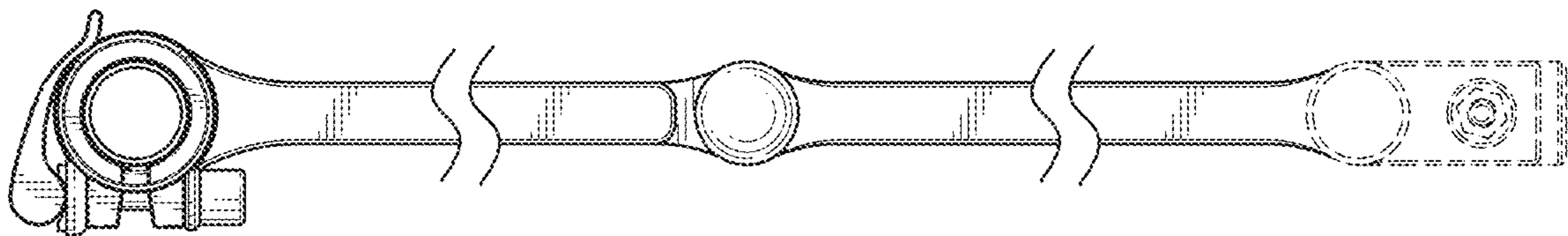


FIG. 16

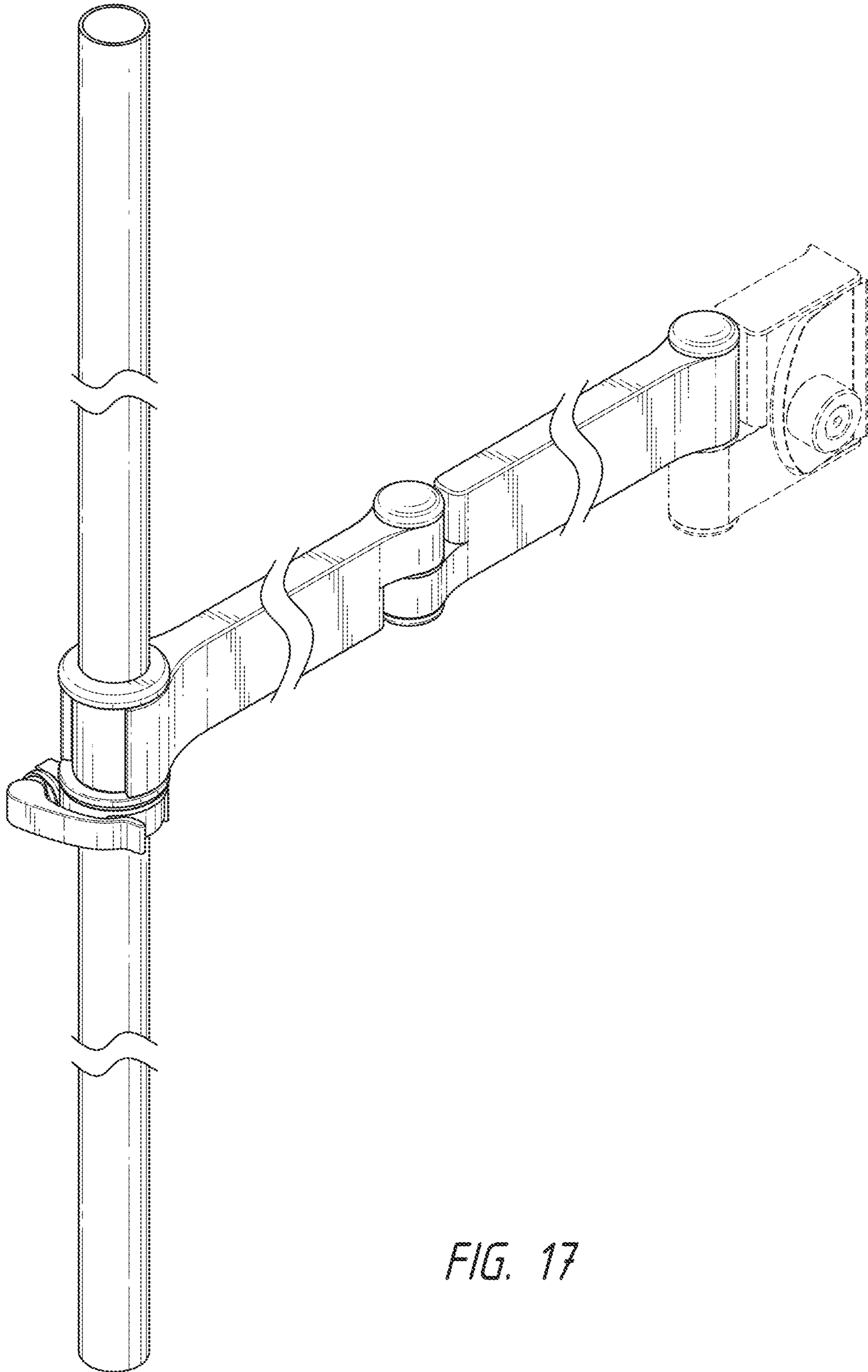


FIG. 17

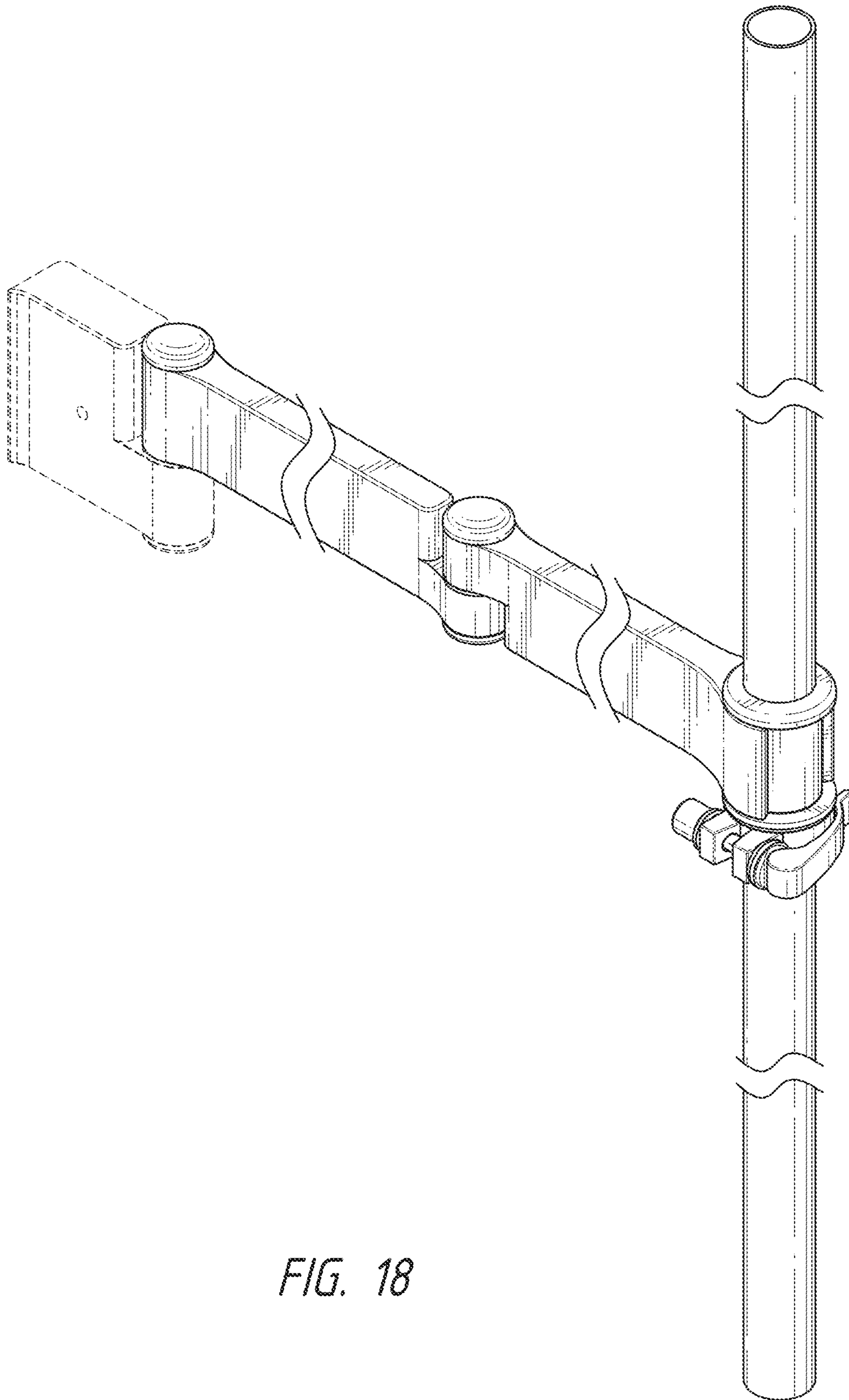


FIG. 18

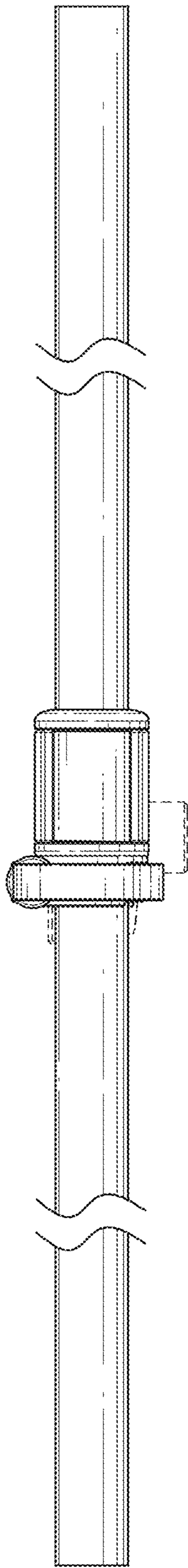


FIG. 19

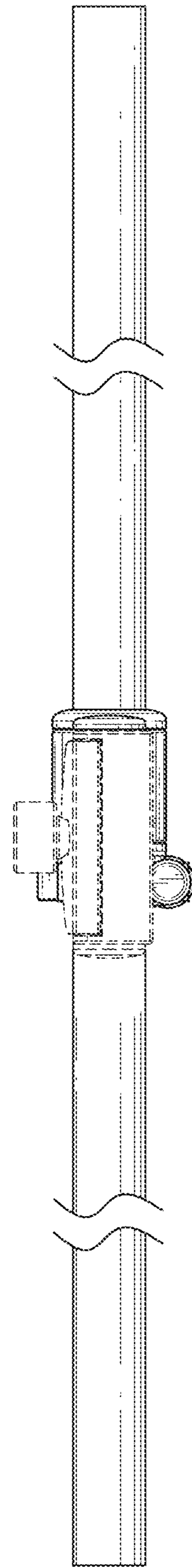


FIG. 20

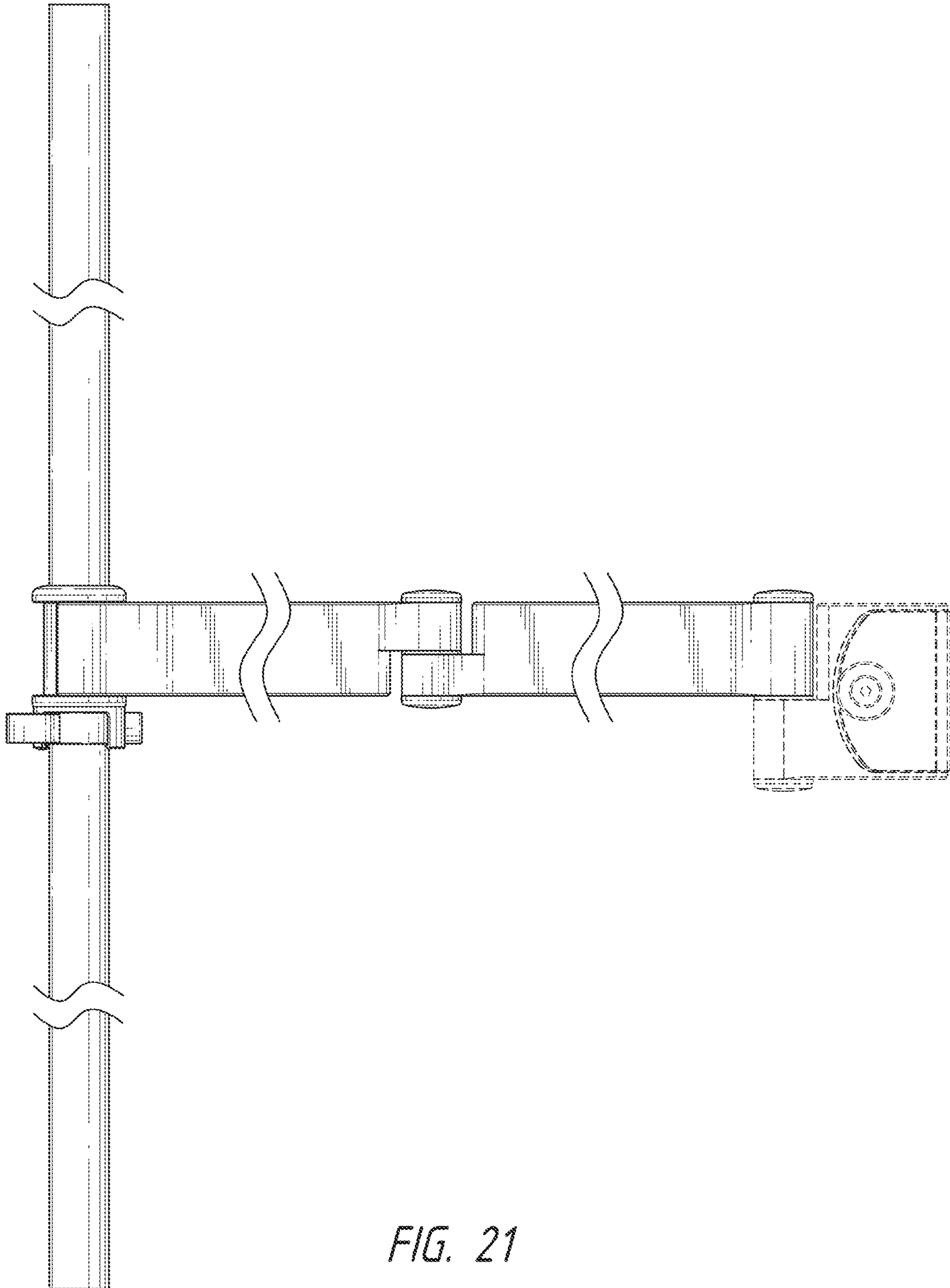


FIG. 21

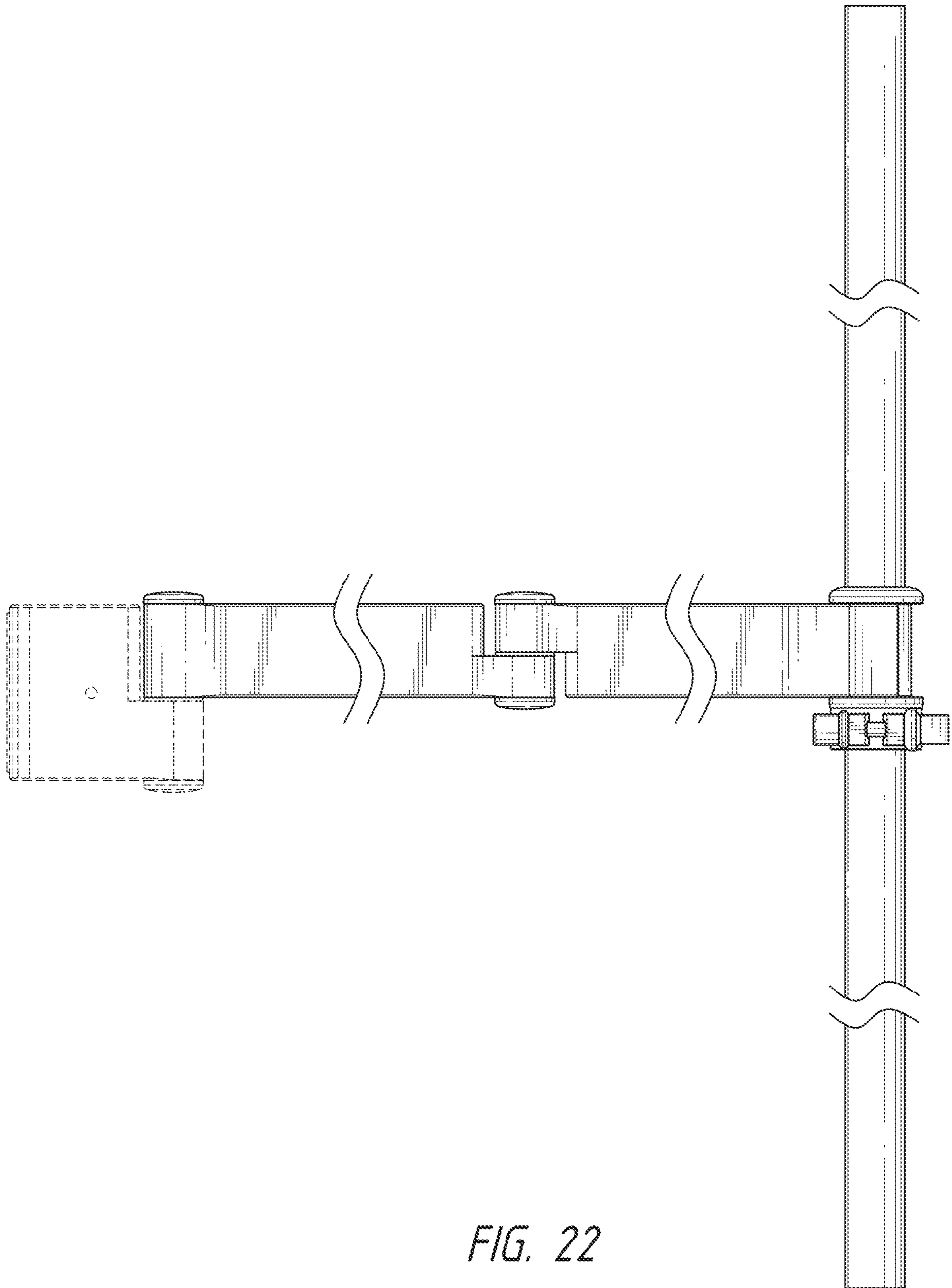


FIG. 22

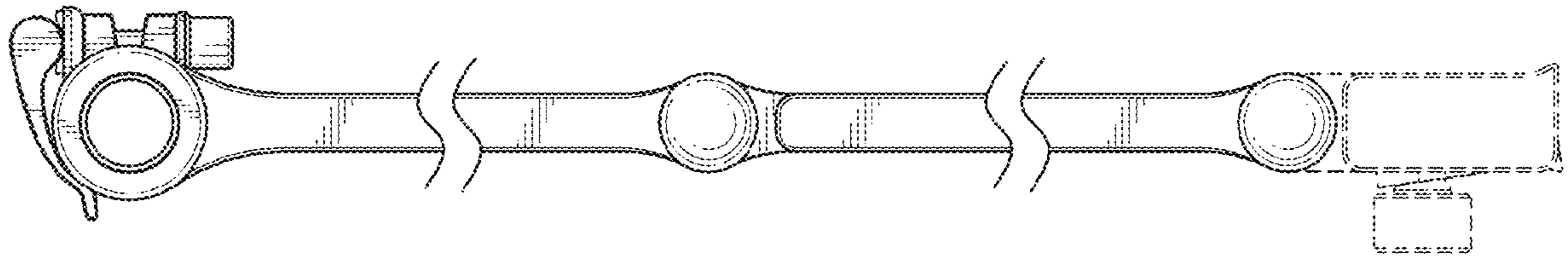


FIG. 23

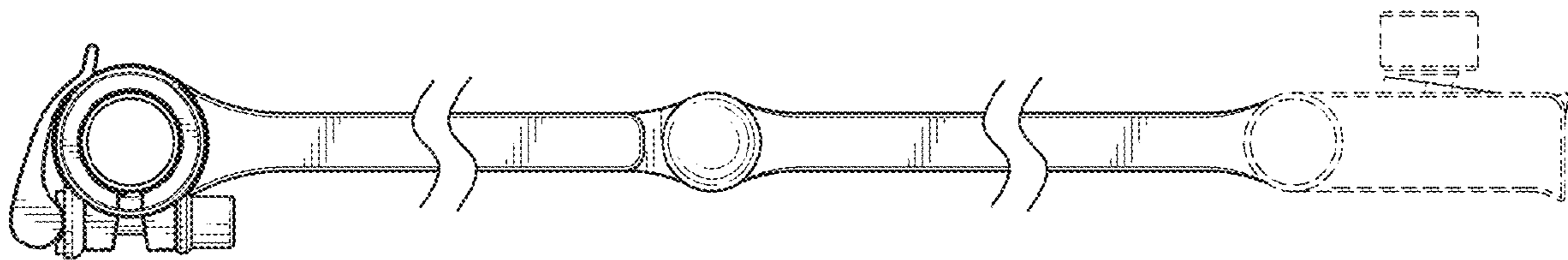


FIG. 24