



US00D889642S

(12) **United States Design Patent** (10) **Patent No.:** **US D889,642 S**
Silbert et al. (45) **Date of Patent:** **** Jul. 7, 2020**

(54) **RECEPTACLE SUPPORT**

(71) Applicant: **Gen-Probe Incorporated**, San Diego, CA (US)

(72) Inventors: **Rolf Silbert**, Del Mar, CA (US);
HongRan Peng, San Diego, CA (US)

(73) Assignee: **Gen-Probe Incorporated**, San Diego, CA (US)

(**) Term: **15 Years**

(21) Appl. No.: **29/689,963**

(22) Filed: **May 3, 2019**

(51) **LOC (12) Cl.** **24-02**

(52) **U.S. Cl.**
USPC **D24/128**

(58) **Field of Classification Search**
USPC D24/127–131, 112–114, 133, 186;

606/181, 185; 604/264, 523–528, 272,
604/187, 158, 164.01–164.11, 181, 184,
604/227; 600/101, 139, 143;
128/200.24, 207.14, 207.15

CPC .. A61M 25/065; A61M 5/42; A61M 25/0612;
A61M 25/00; A61M 39/00; A61M 27/00;
A61M 25/0043; A61M 25/0067; A61M
25/0097

See application file for complete search history.

(56) **References Cited**

U.S. PATENT DOCUMENTS

D282,402 S *	1/1986	Schmidt	D24/147
D304,420 S *	11/1989	Alexander	D8/98
D326,593 S *	6/1992	Ward	D8/14
D370,532 S *	6/1996	Epstein	D24/146
D397,007 S *	8/1998	Schultz	30/346
D406,501 S *	3/1999	Schultz	D8/20
D406,502 S *	3/1999	Schultz	D8/20
D406,503 S *	3/1999	Schultz	D8/20

D409,070 S *	5/1999	Elishewitz	D8/98
D422,476 S *	4/2000	McHenry	D8/20
D430,668 S *	9/2000	Koros	D24/135
D510,768 S *	10/2005	Farley	D24/135
D593,373 S *	6/2009	Epstein	D7/649
D666,667 S *	9/2012	Present	D19/110
D666,668 S *	9/2012	Present	D19/110
D666,669 S *	9/2012	Present	D19/110
D669,581 S *	10/2012	Van Wyk	D24/144
D669,988 S *	10/2012	Packard	D24/147
D686,900 S *	7/2013	Ohlrich	D8/99
D689,545 S *	9/2013	Present	D19/110
D705,614 S *	5/2014	Kusanagi	D7/649

(Continued)

Primary Examiner — Nathan M Johnston

(74) *Attorney, Agent, or Firm* — Bookoff McAndrews, PLLC; Charles B. Cappellari

(57) **CLAIM**

The ornamental design for a receptacle support, as shown and described.

DESCRIPTION

FIG. 1 is a front elevation view of the receptacle support showing our new design;

FIG. 2 is a right side elevation view thereof;

FIG. 3 is a left side elevation view thereof;

FIG. 4 is a back elevation view thereof;

FIG. 5 is a top plan view thereof

FIG. 6 is a bottom plan view thereof;

FIG. 7 is a top left perspective view thereof;

FIG. 8 is a top right perspective view thereof;

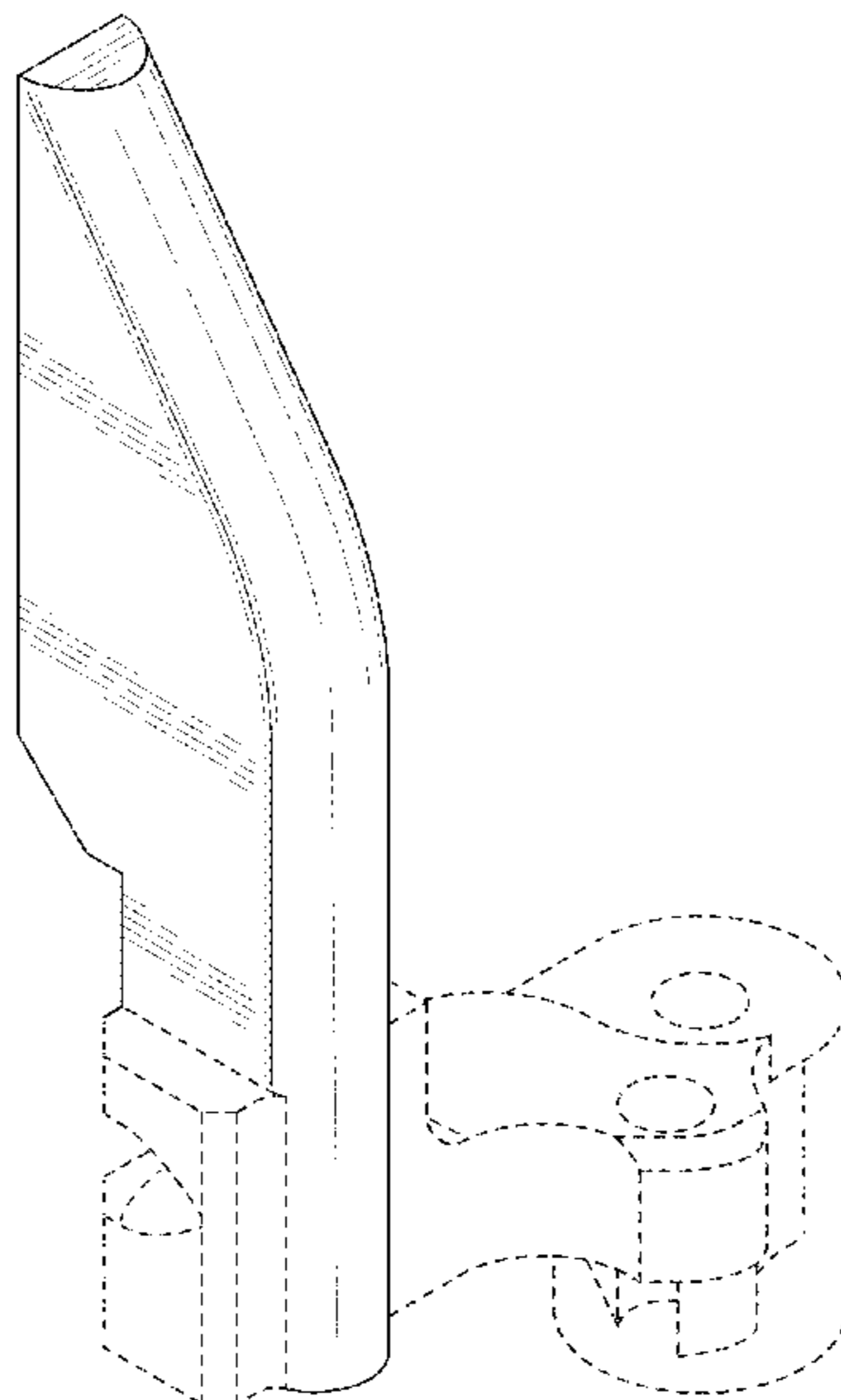
FIG. 9 is a bottom right perspective view thereof; and,

FIG. 10 is a bottom left perspective view thereof.

The dashed lines immediately adjacent to the shaded areas in the figures represent the boundaries of the claimed design.

The dashed lines in the figures illustrate the portions of the design that form no part of the claimed design. None of the broken lines form any part of the claimed design.

1 Claim, 8 Drawing Sheets



(56)

References Cited

U.S. PATENT DOCUMENTS

D779,297	S	*	2/2017	Scimone	D8/20
D796,923	S	*	9/2017	Scimone	D8/20
D803,656	S	*	11/2017	Stinson	D8/99
D813,623	S	*	3/2018	Marfione	D8/20
D852,011	S	*	6/2019	Lemmons	D8/7

* cited by examiner

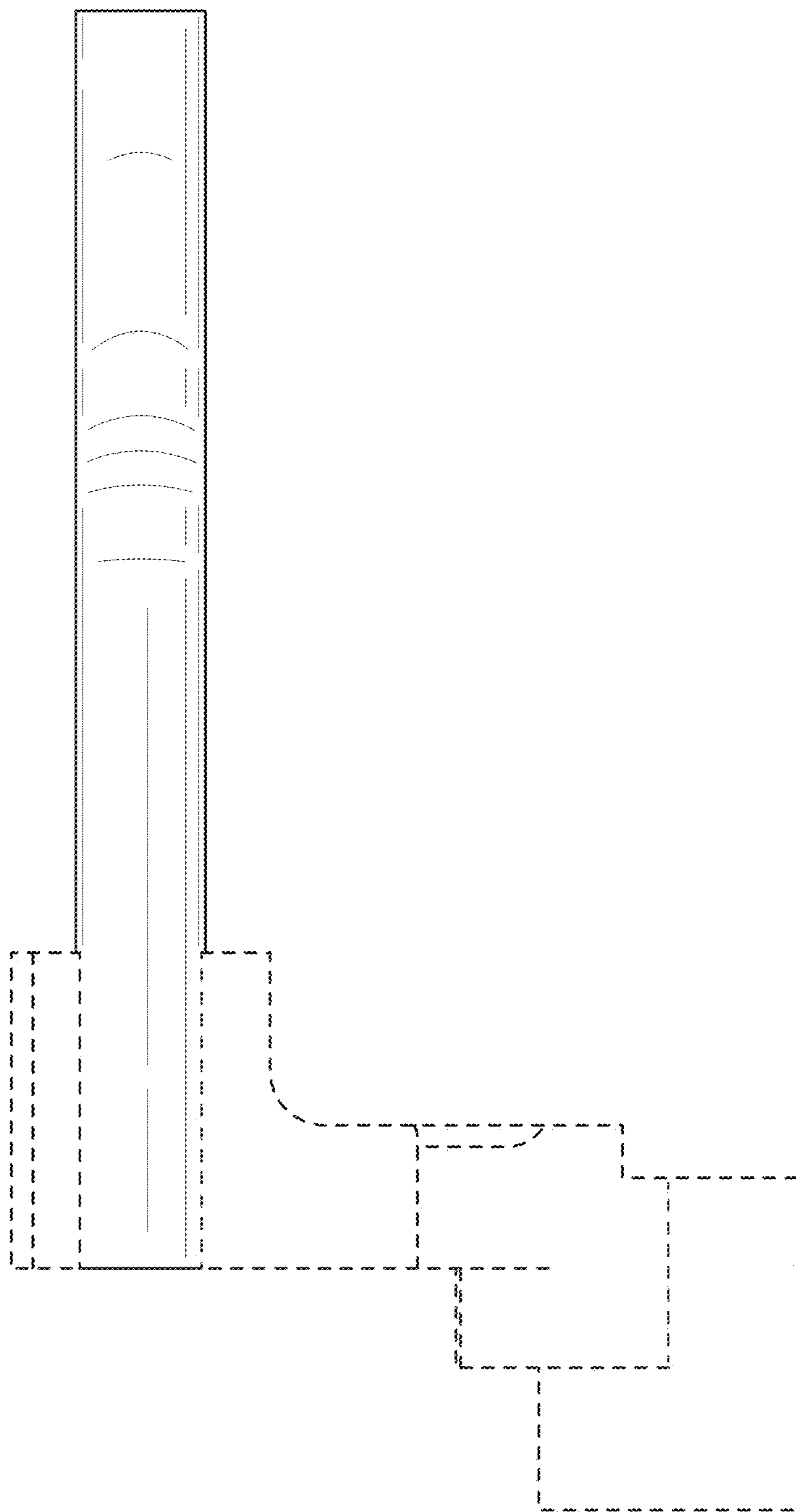


FIG. 1

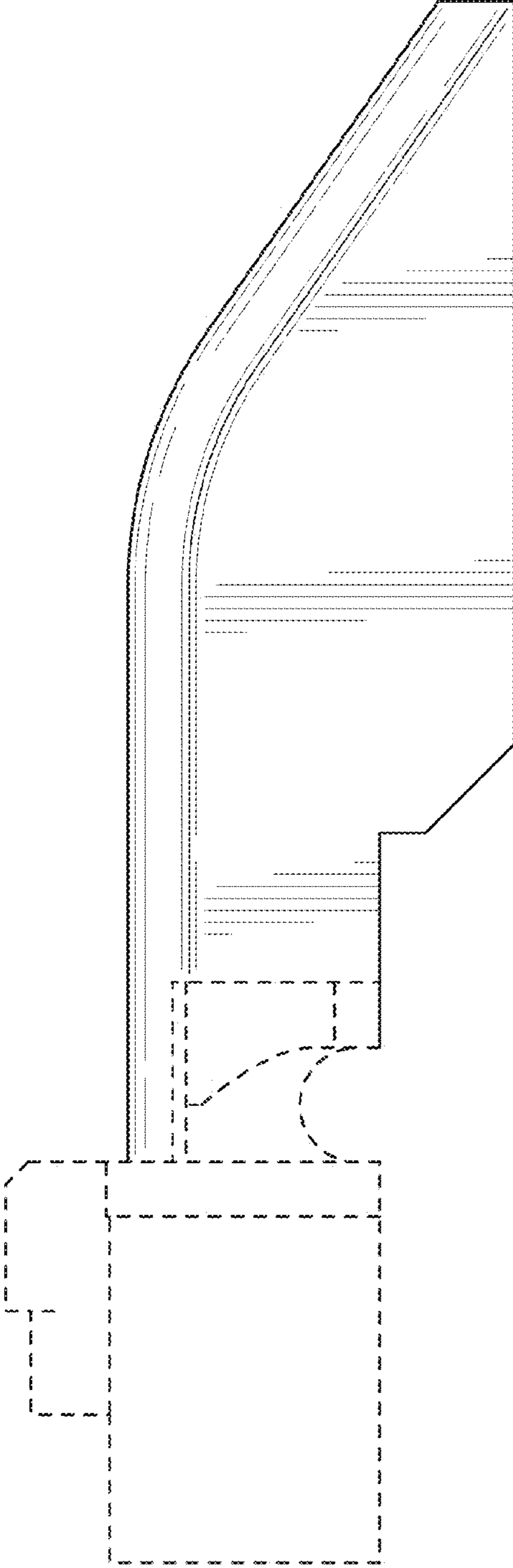


FIG. 2

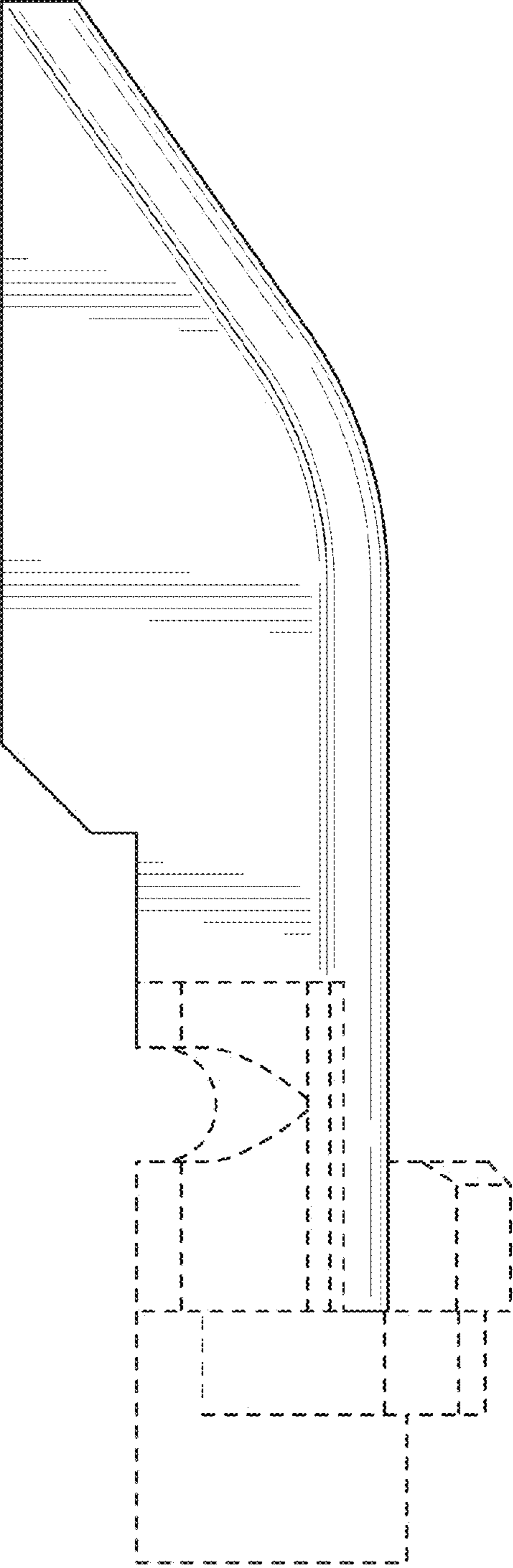


FIG. 3

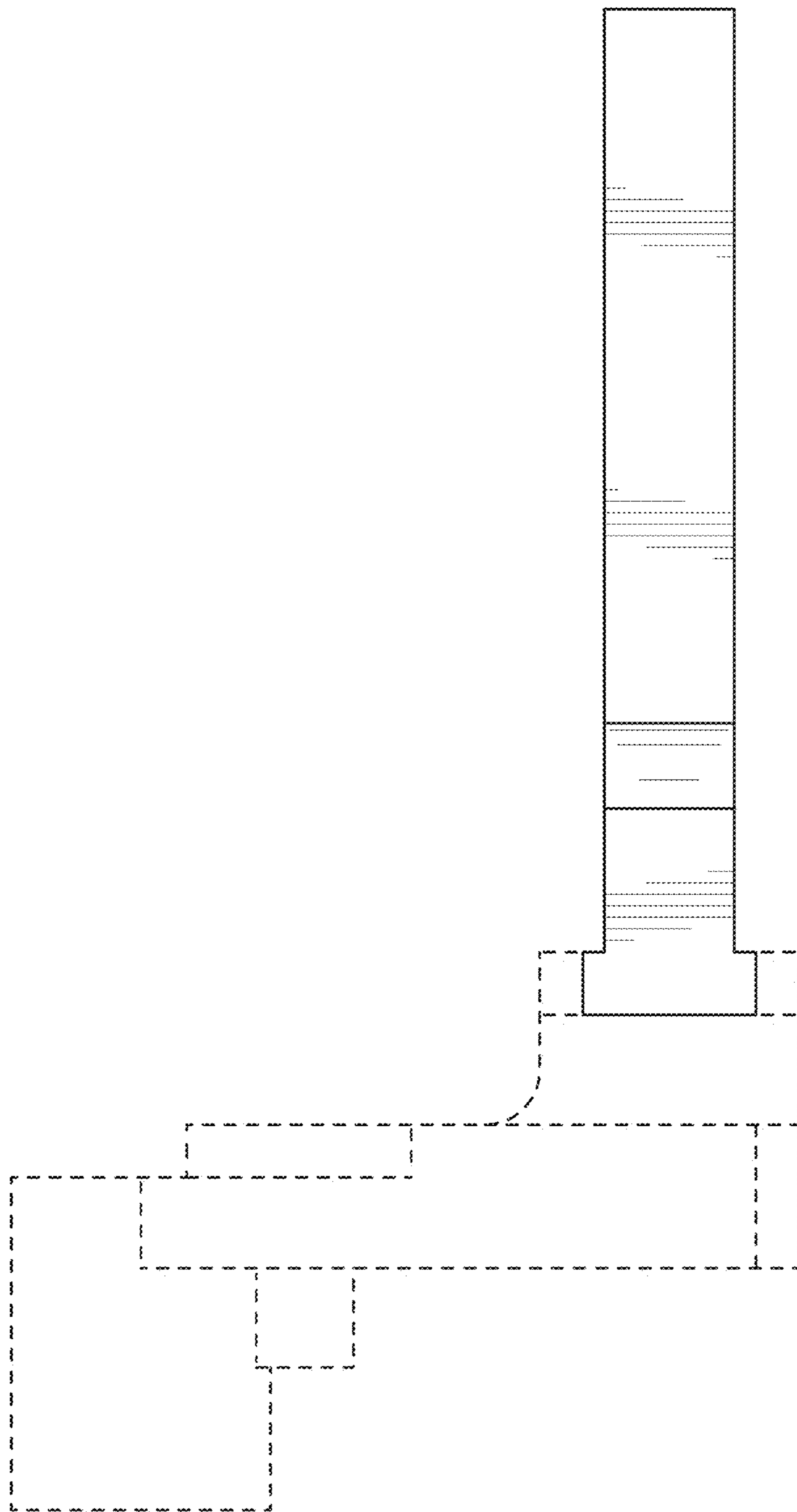


FIG. 4

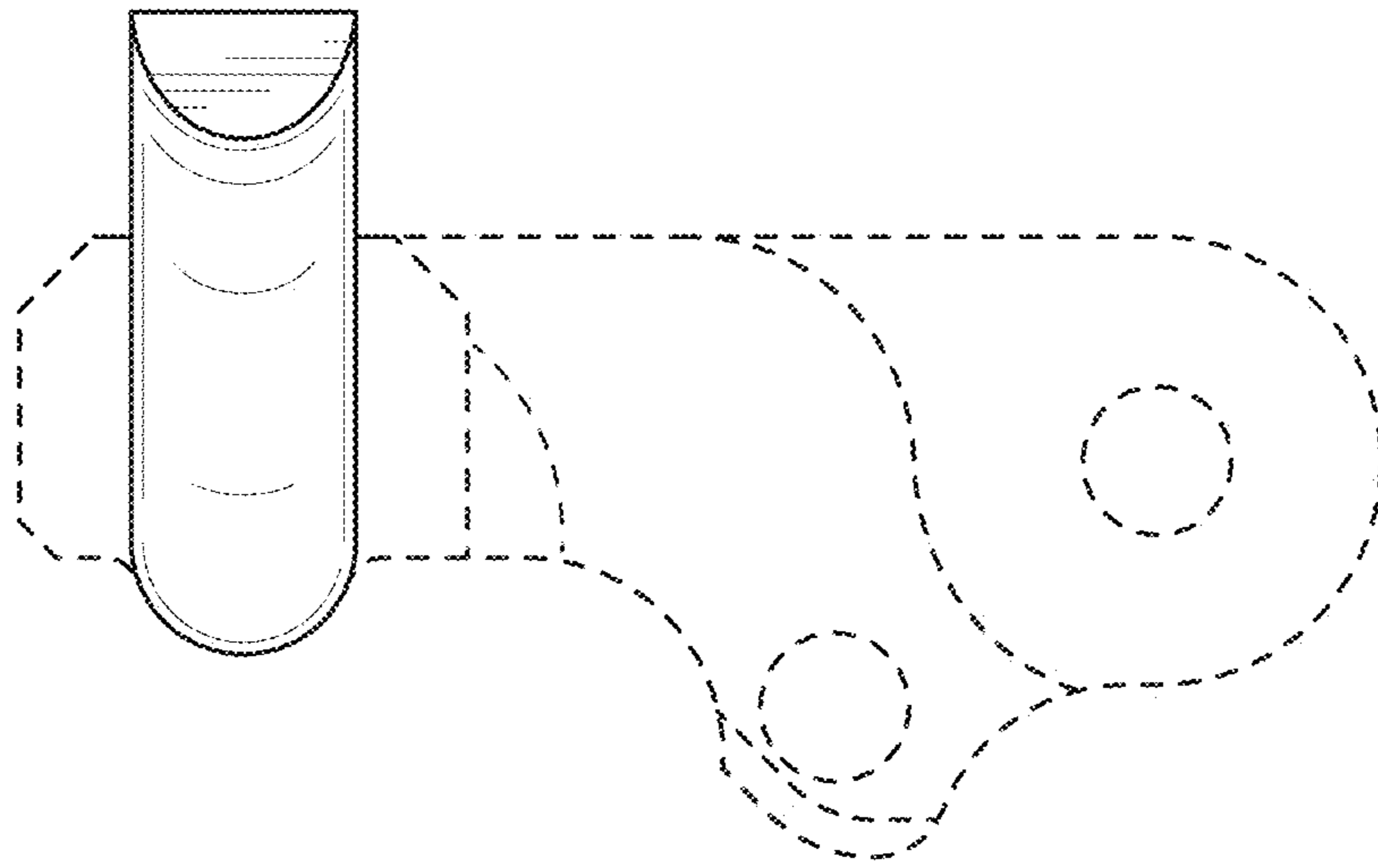


FIG. 5

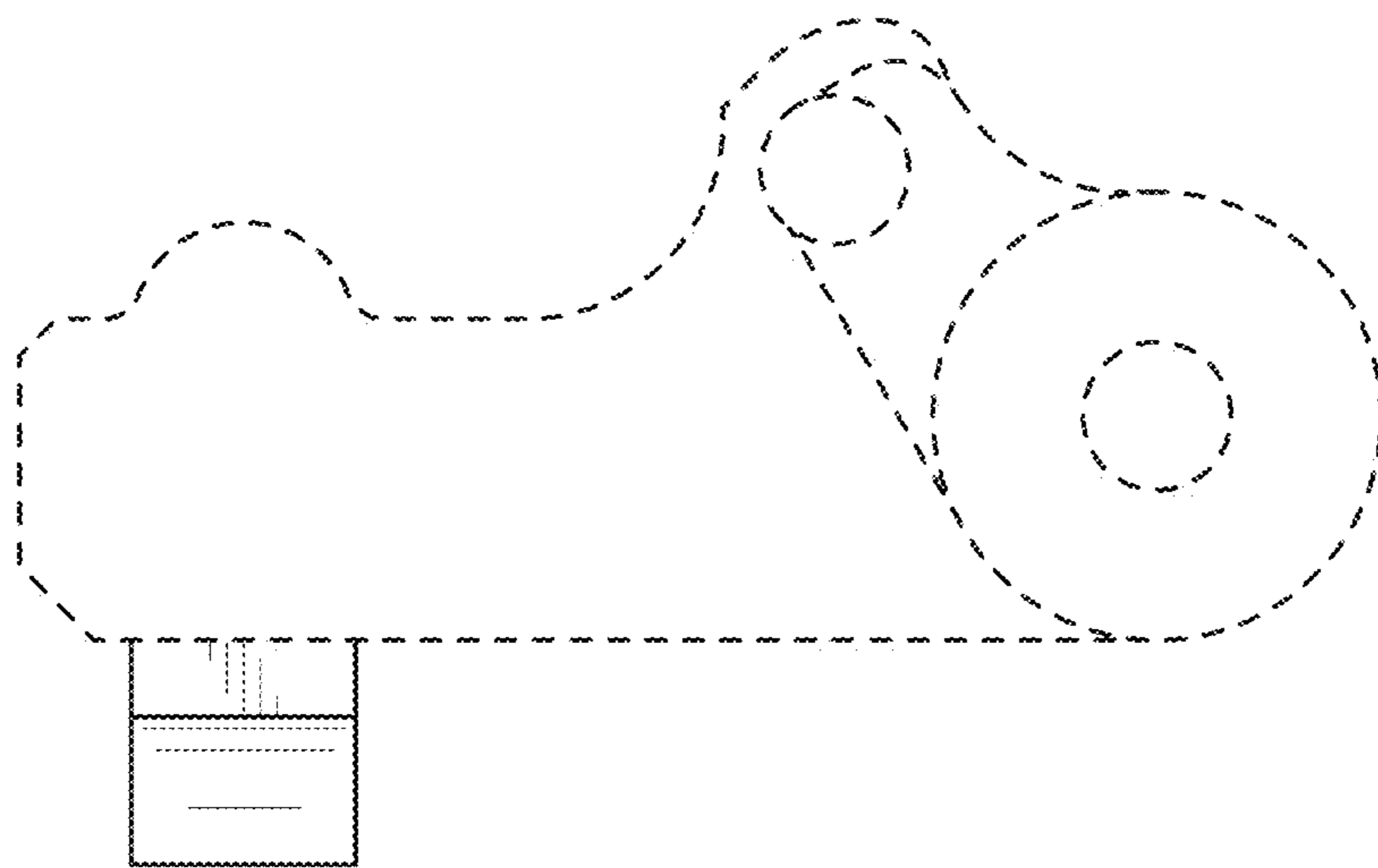


FIG. 6

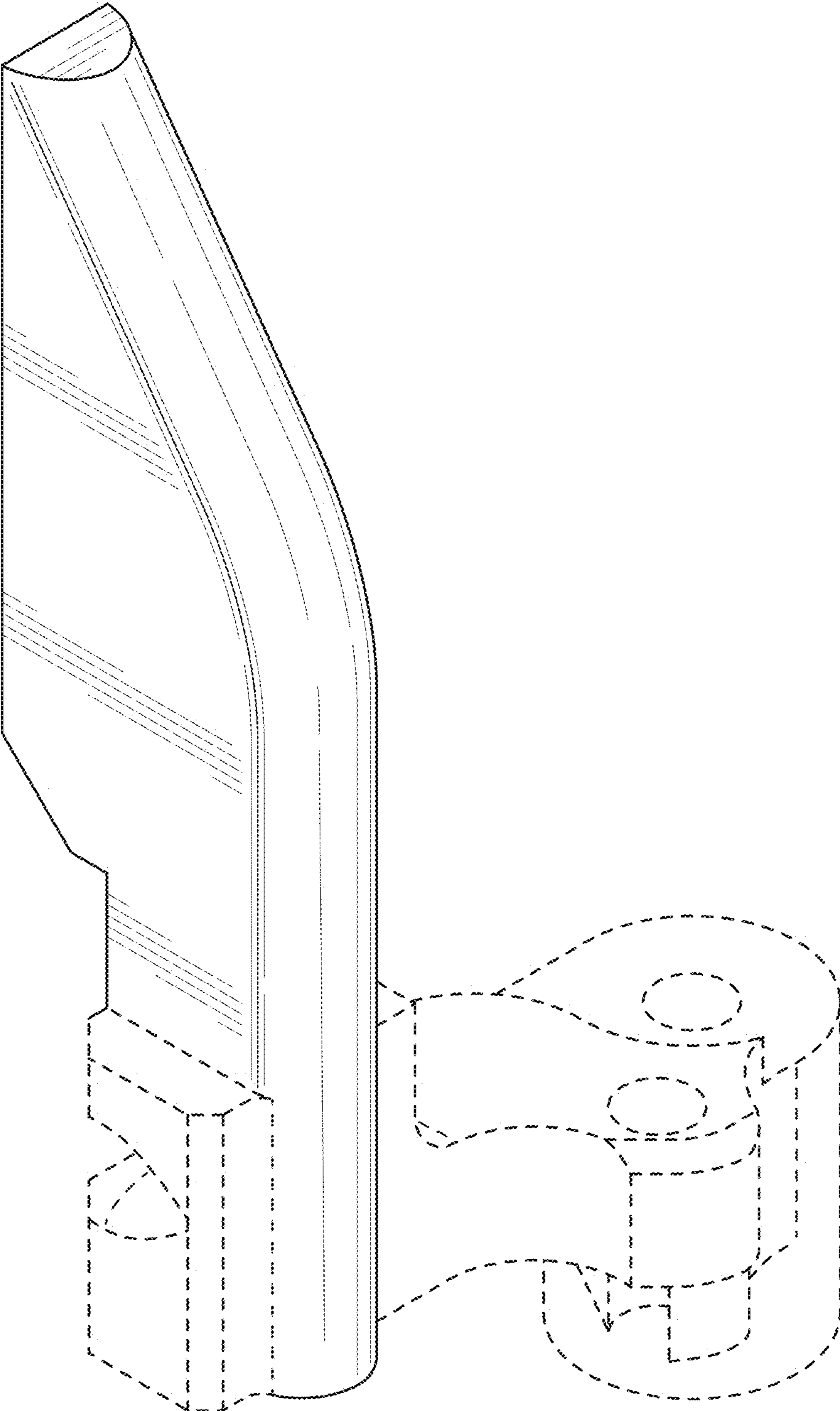


FIG. 7

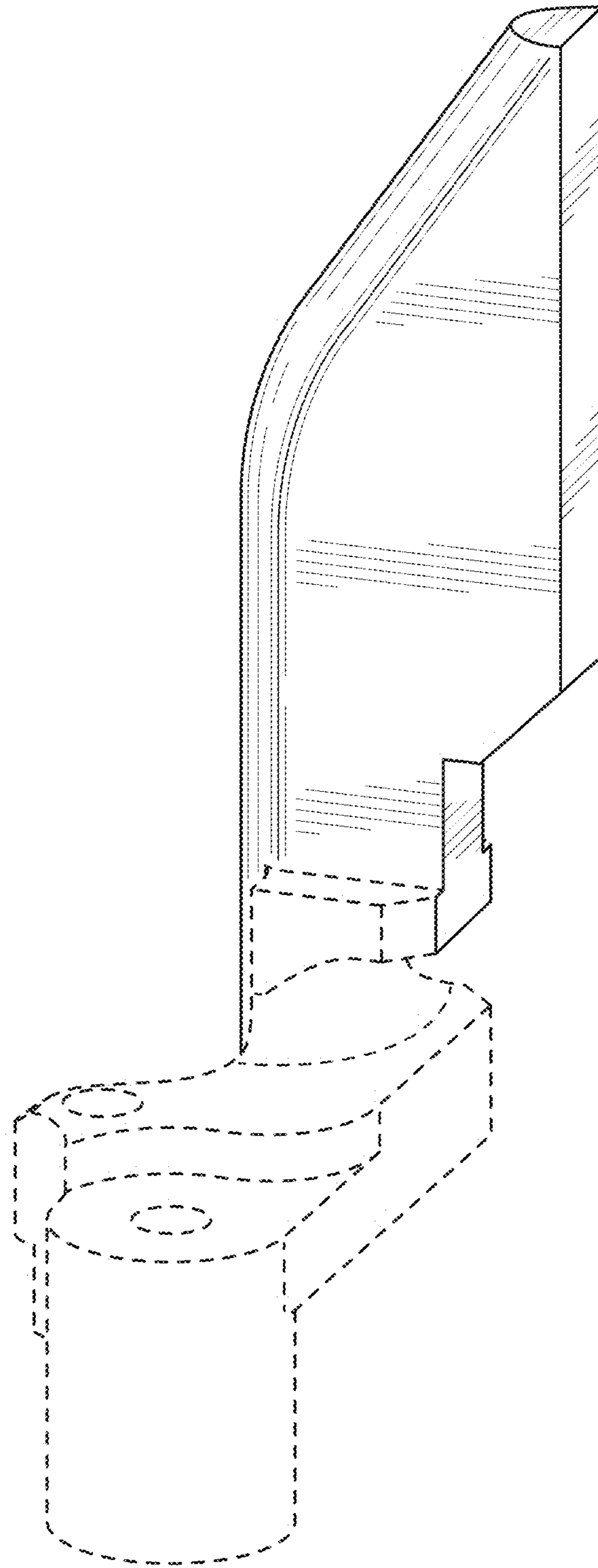


FIG. 8

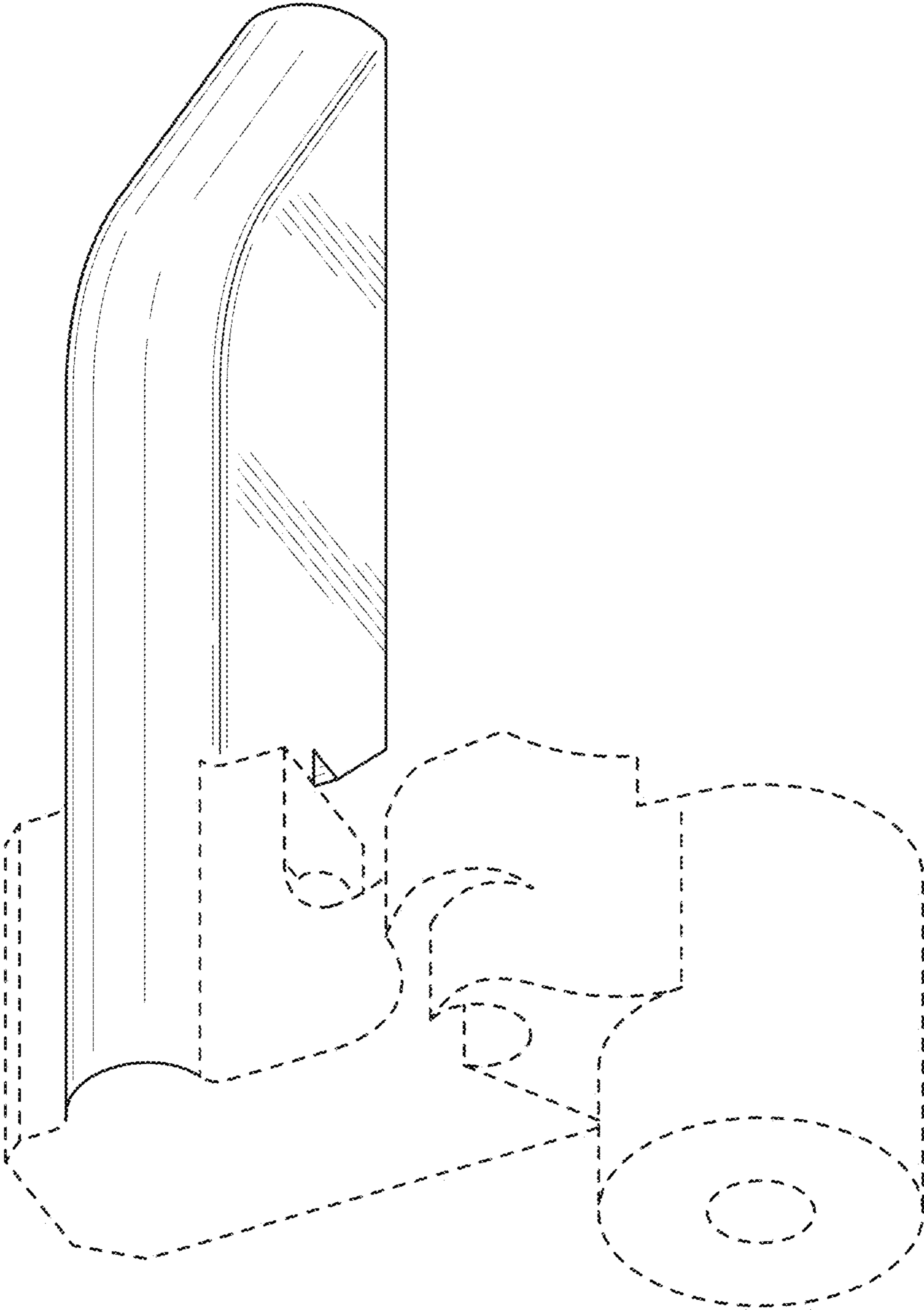


FIG. 9

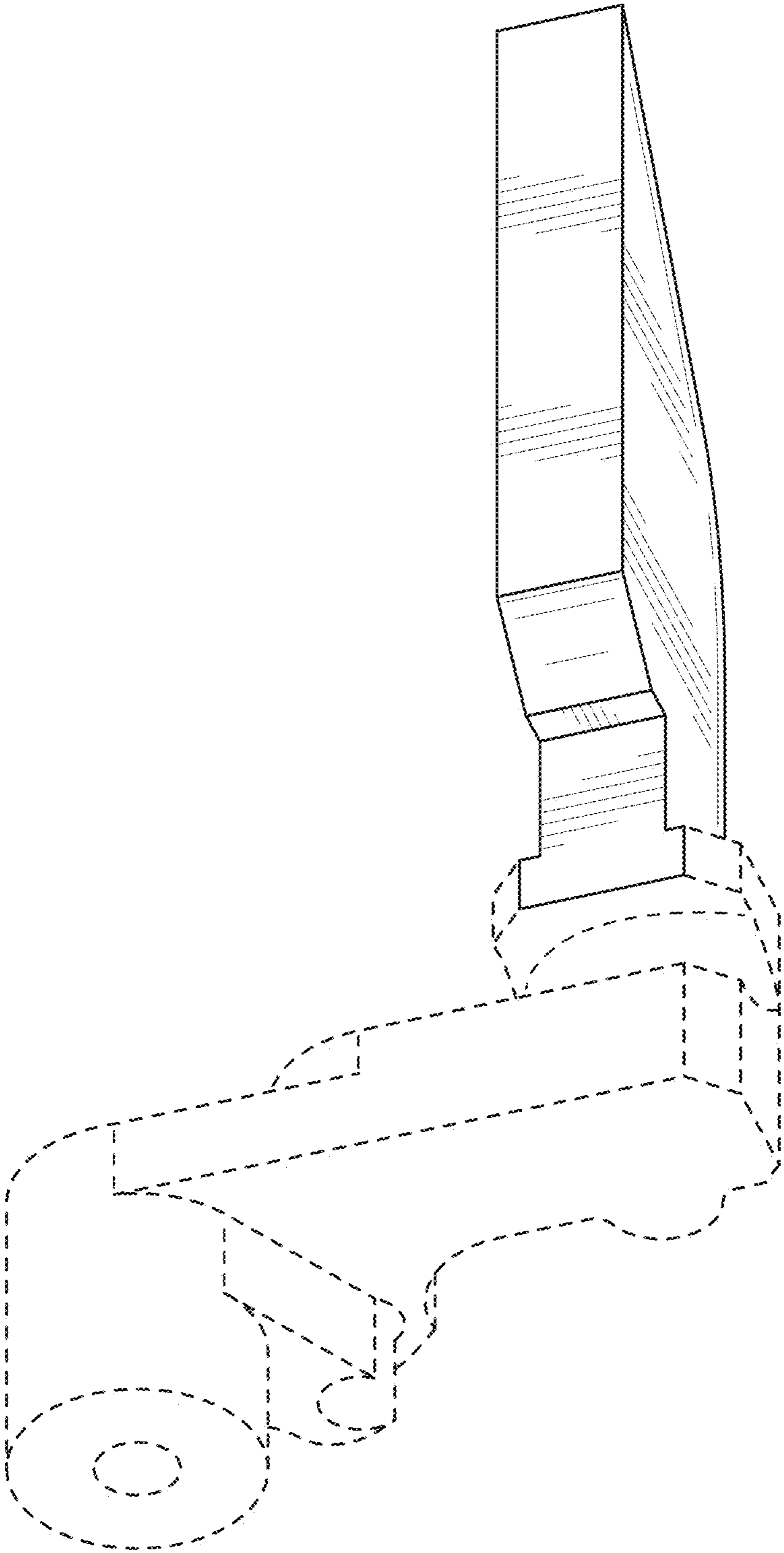


FIG. 10