



US00D889641S

(12) **United States Design Patent** (10) **Patent No.:** **US D889,641 S**
Wennborg et al. (45) **Date of Patent:** **** Jul. 7, 2020**

(54) **TUBE FIXATION DEVICE**

(71) Applicant: **Quickcool AB**, Lund (SE)

(72) Inventors: **John Wennborg**, Hurva (SE); **Håkan Pålsson**, Kävlinge (SE)

(73) Assignee: **Quickcool AB** (SE)

(**) Term: **15 Years**

(21) Appl. No.: **29/671,688**

(22) Filed: **Nov. 29, 2018**

(51) **LOC (12) Cl.** **24-01**

(52) **U.S. Cl.**
USPC **D24/128**

(58) **Field of Classification Search**
USPC D24/127–131, 112–114, 133, 186;
606/181, 185; 604/264, 272, 115, 232,
604/187, 158, 164.08, 192, 263, 163, 181,
604/184, 198, 227; 600/101, 139, 143;
128/200.24, 207.14, 207.15
CPC A61M 5/1418; A61M 16/0875; A61M
2209/082; F16L 3/12; Y10T 403/598
See application file for complete search history.

(56) **References Cited**

U.S. PATENT DOCUMENTS

- 6,476,327 B1 * 11/2002 Bernard H02G 3/045
174/101
- D630,317 S * 1/2011 Wung D24/128
- D638,692 S * 5/2011 Hoek D8/356
- D657,460 S * 4/2012 Uhlenkamp D24/128
- D749,209 S * 2/2016 Uhlenkamp D24/128
- D769,105 S * 10/2016 Tomney D12/217
- D789,526 S * 6/2017 Serafini D24/128
- D793,549 S * 8/2017 Defusco D24/128
- D826,032 S * 8/2018 Feng D8/356
- D831,466 S * 10/2018 Lang D8/349

- D852,354 S * 6/2019 Wrangmark D24/128
- 2010/0132979 A1 * 6/2010 Chen F16L 3/223
174/135
- 2015/0094693 A1 * 4/2015 Suzuki A61M 25/09041
604/528

* cited by examiner

Primary Examiner — David G Muller

Assistant Examiner — Nathan M Johnston

(74) *Attorney, Agent, or Firm* — Condo Roccia Koptiw
LLP

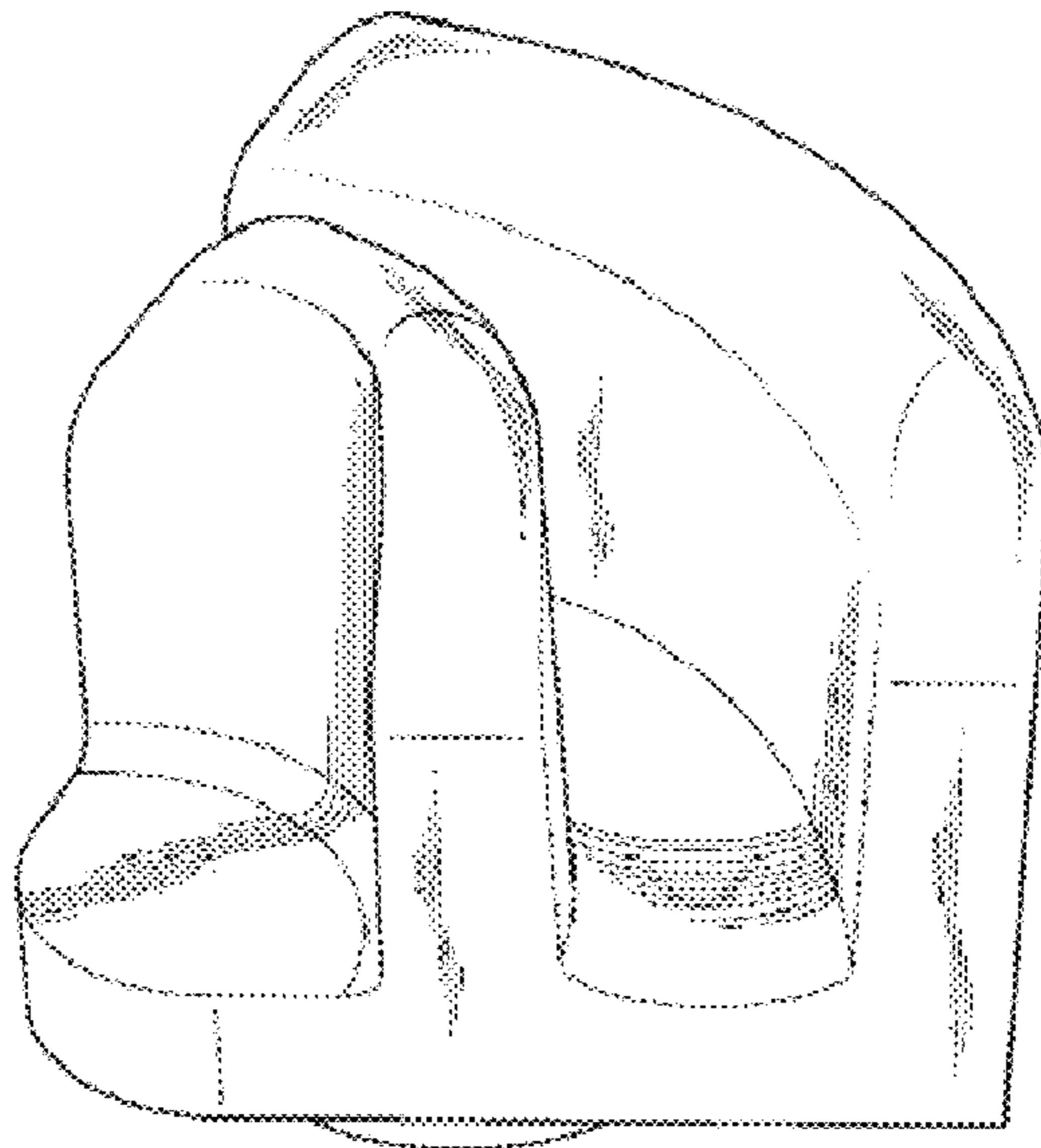
(57) **CLAIM**

The ornamental design for a tube fixation device, as shown and described.

DESCRIPTION

FIG. 1 is a perspective view of a tube fixation device showing our new design;
 FIG. 2 is a bottom perspective view of the tube fixation device shown in FIG. 1;
 FIG. 3 is a rear view of the tube fixation device shown in FIG. 1;
 FIG. 4 is a front view of the tube fixation device shown in FIG. 1;
 FIG. 5 is a right-side view of the tube fixation device shown in FIG. 1;
 FIG. 6 is a left-side view of the tube fixation device shown in FIG. 1;
 FIG. 7 is a top view of the tube fixation device shown in FIG. 1;
 FIG. 8 is a bottom view of the tube fixation device shown in FIG. 1; and,
 FIG. 9 is a perspective view of two of the tube fixation devices shown in FIG. 1 positioned on a positioning strap fixated around the head of a patient such that each of the tube fixation devices is placed at the entry point of a respective nostril of the patient.
 The broken line showing is included for the purpose of illustrating unclaimed subject matter and forms no part of the claimed design.

1 Claim, 9 Drawing Sheets



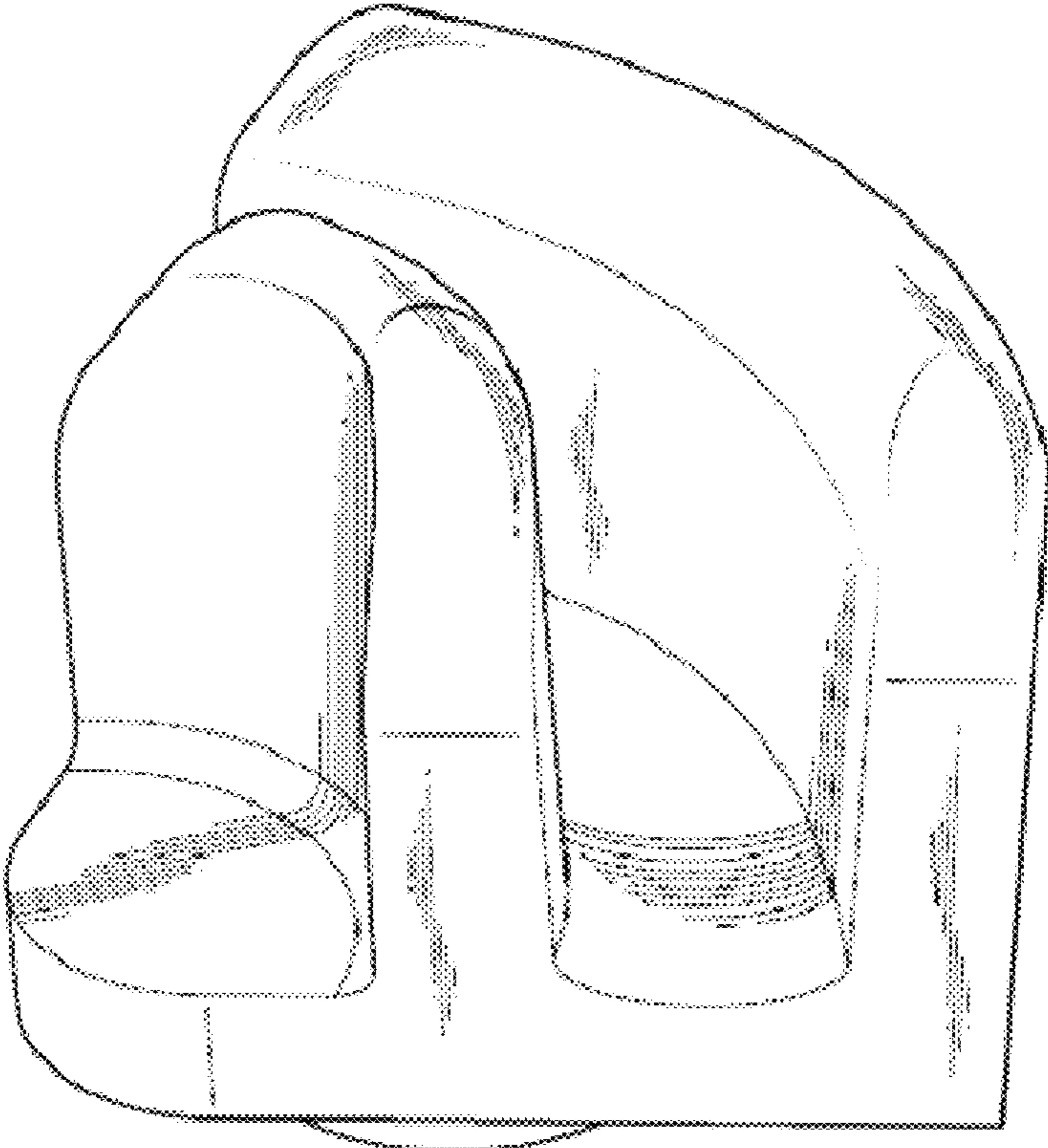


FIG. 1

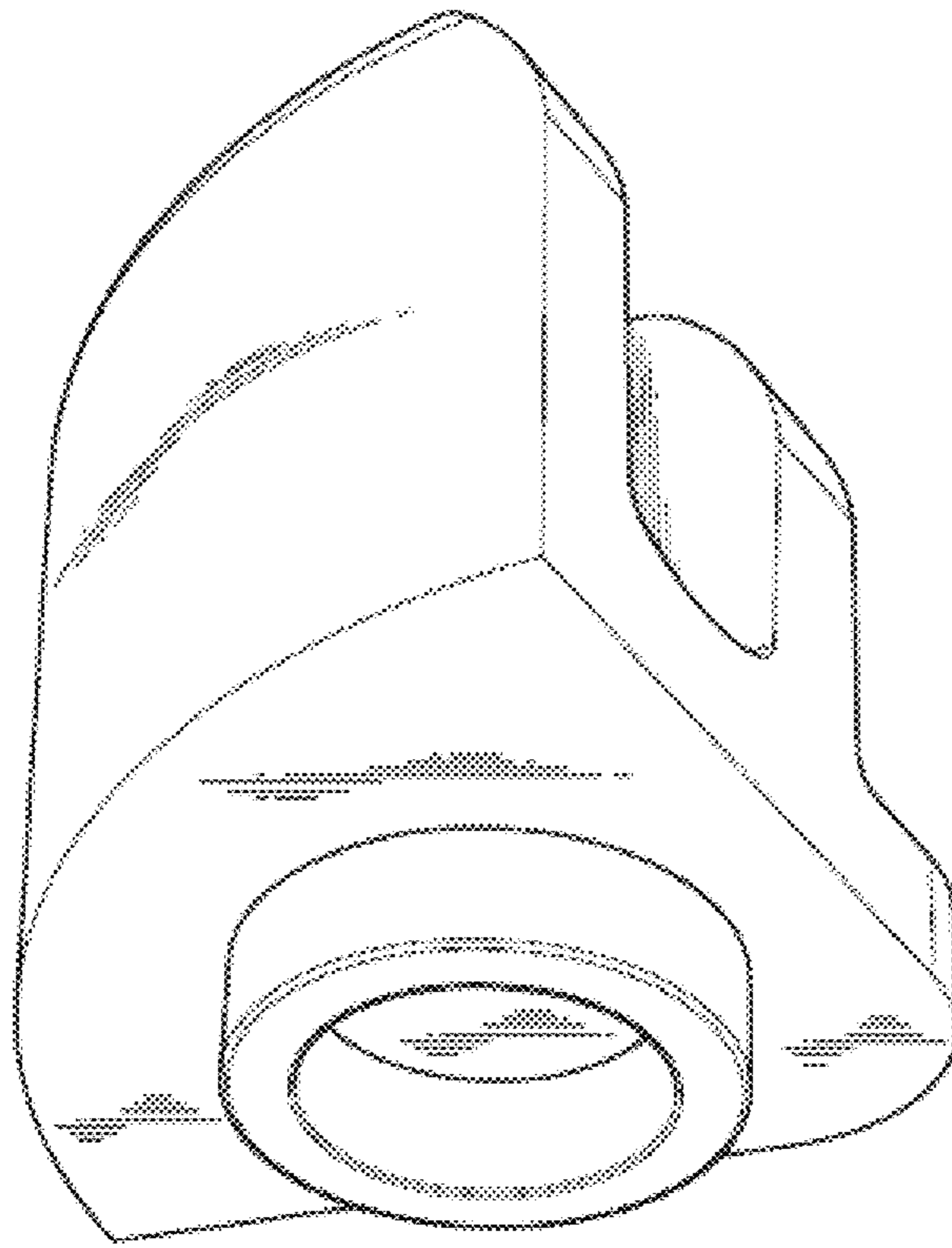


FIG. 2

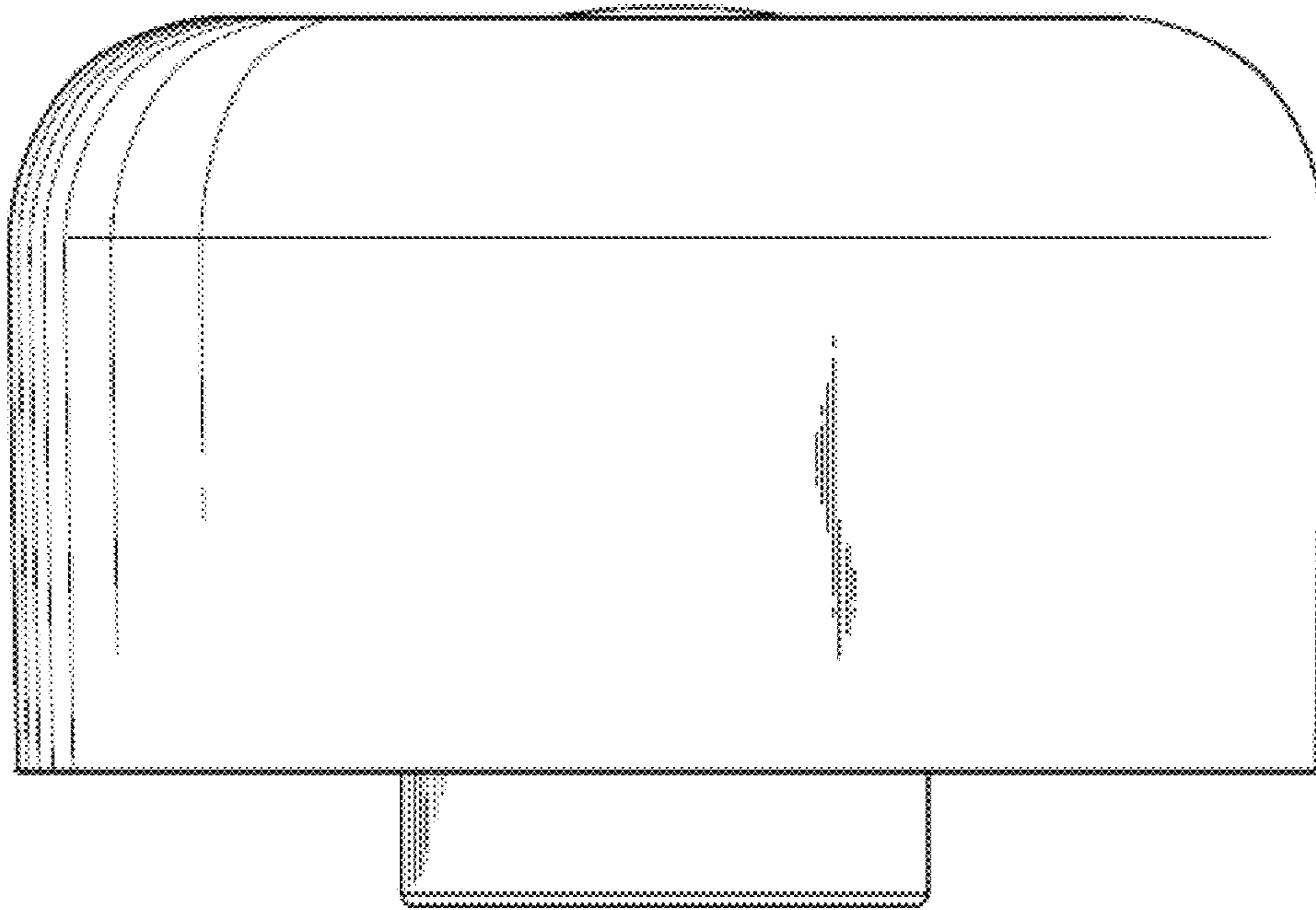


FIG. 3

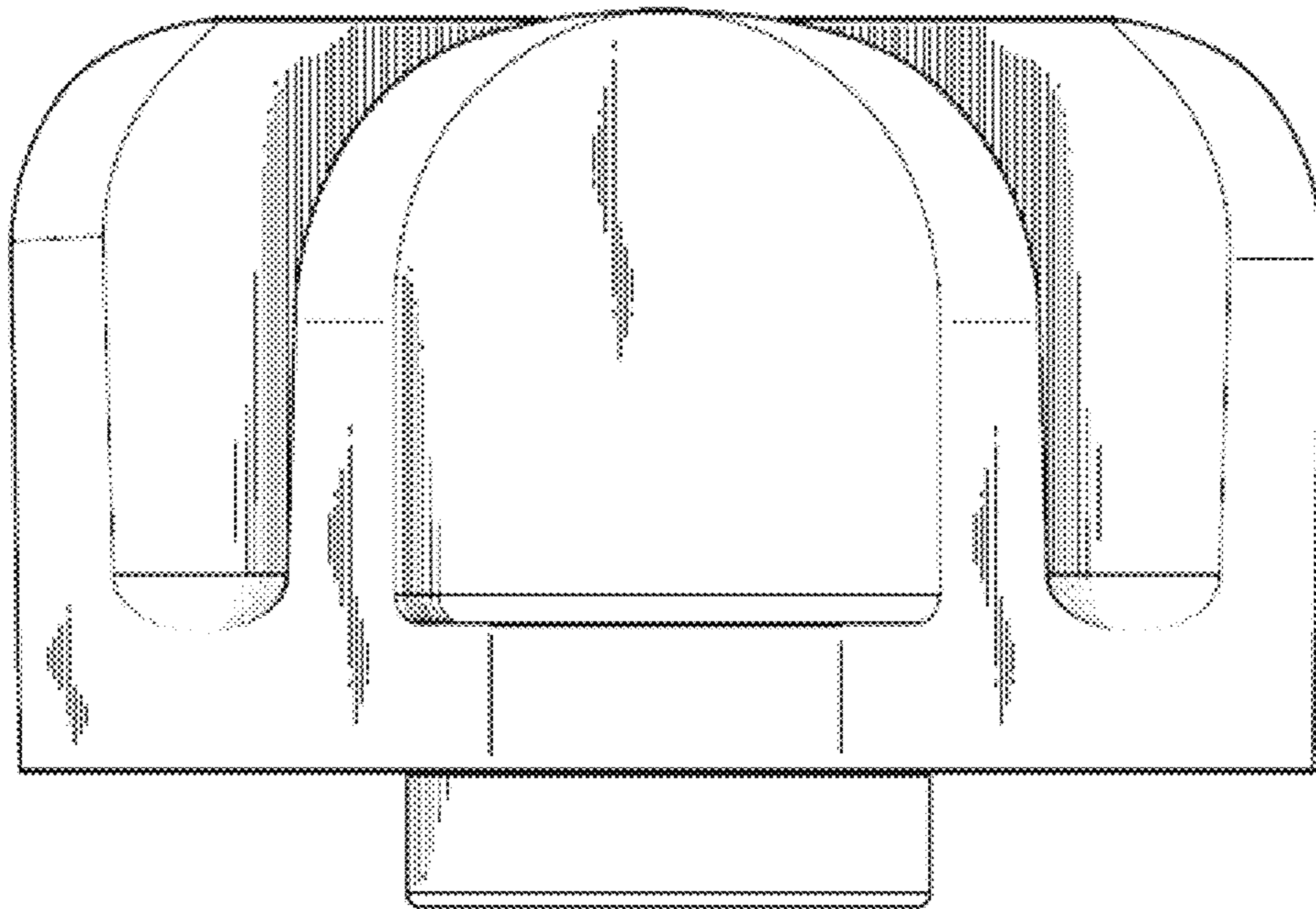


FIG. 4

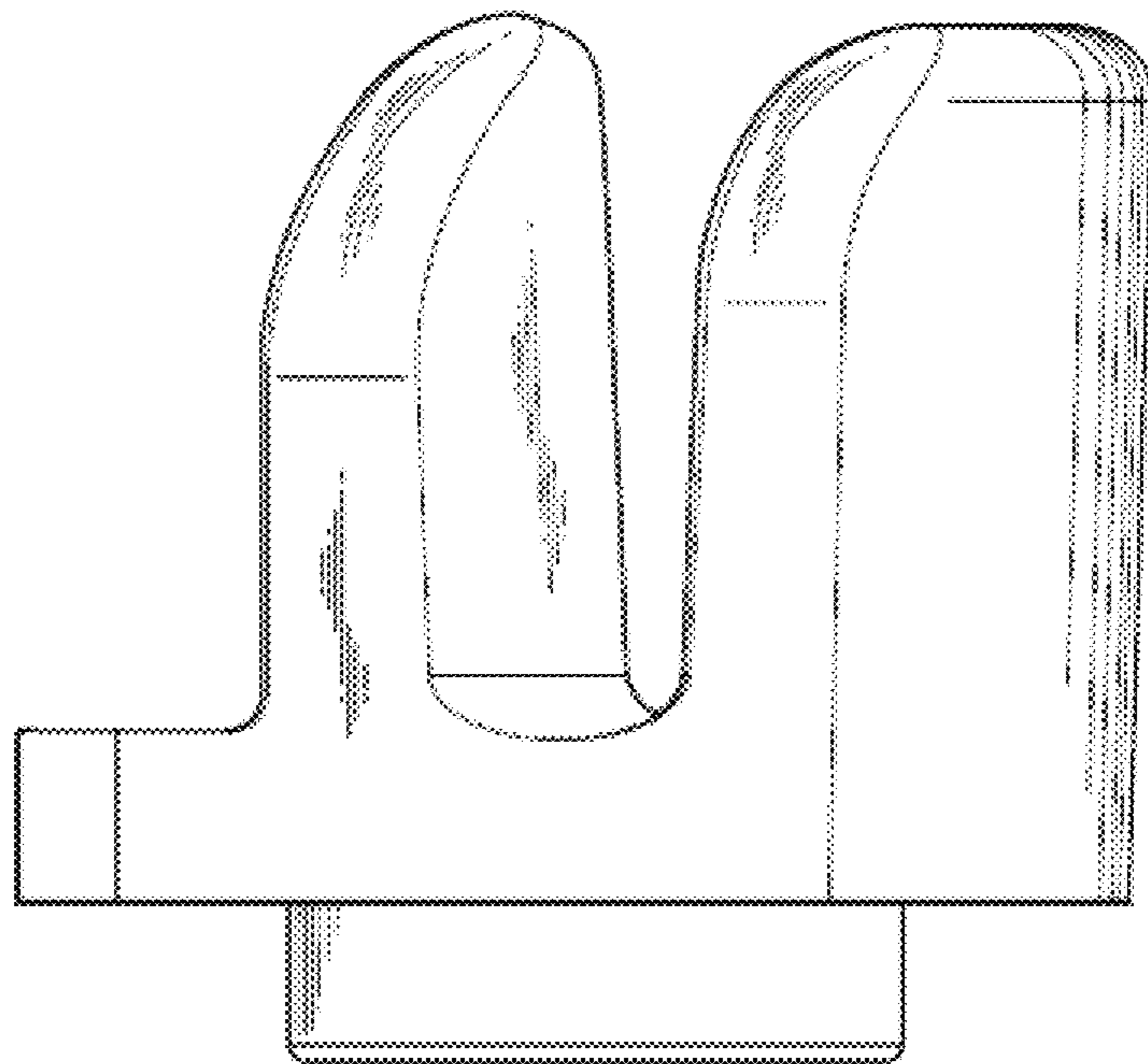


FIG. 5

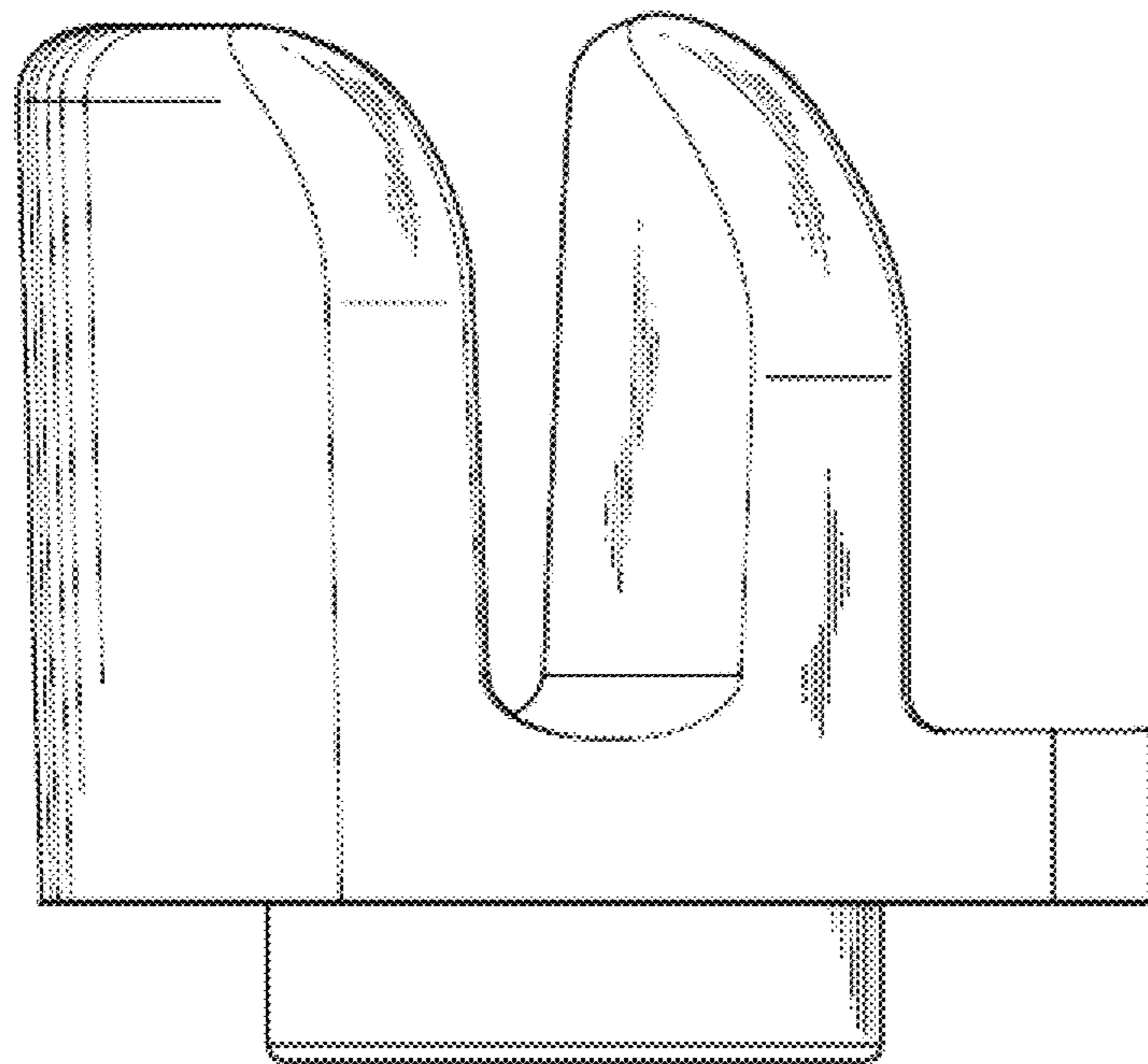


FIG. 6

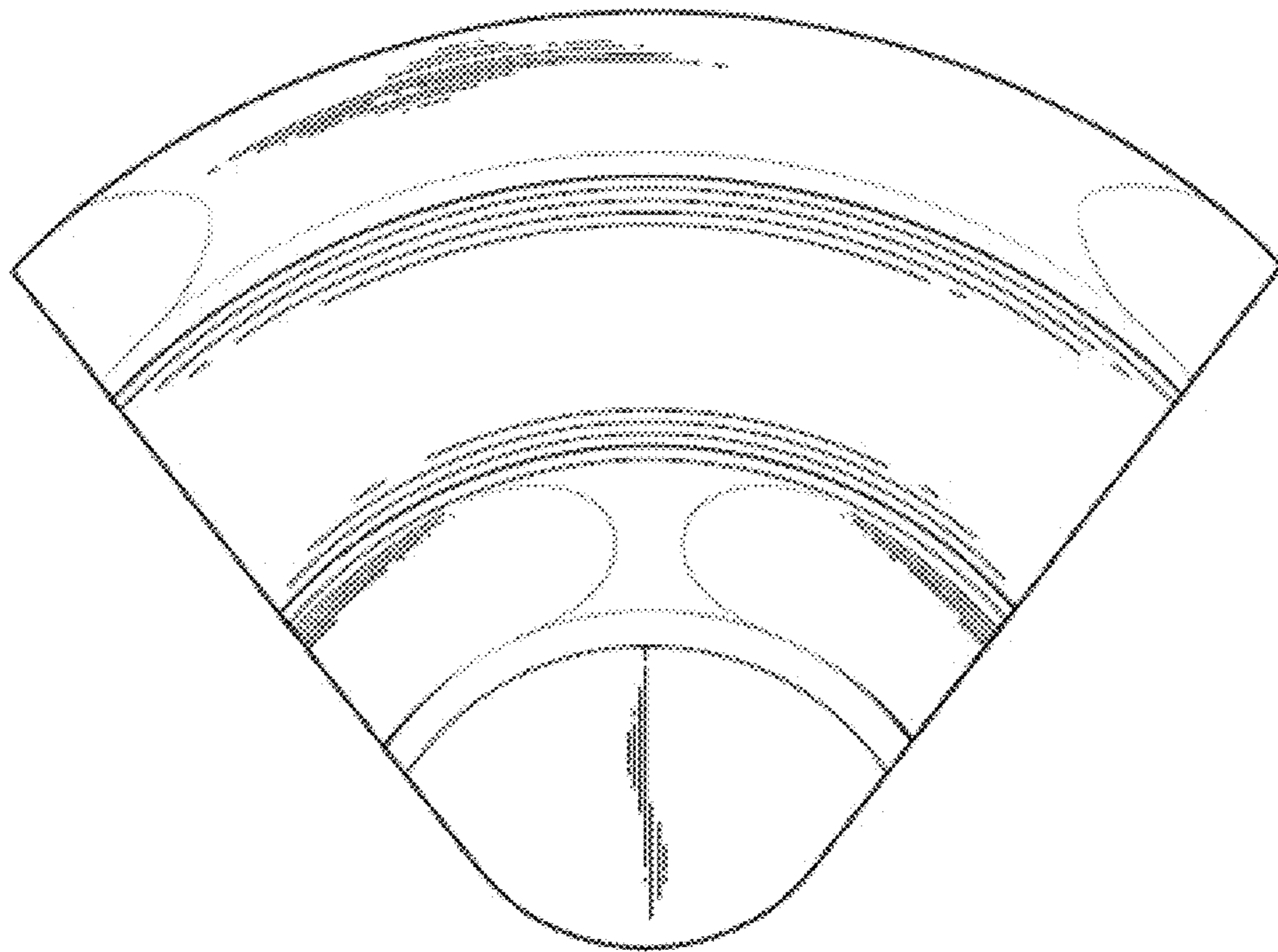


FIG. 7

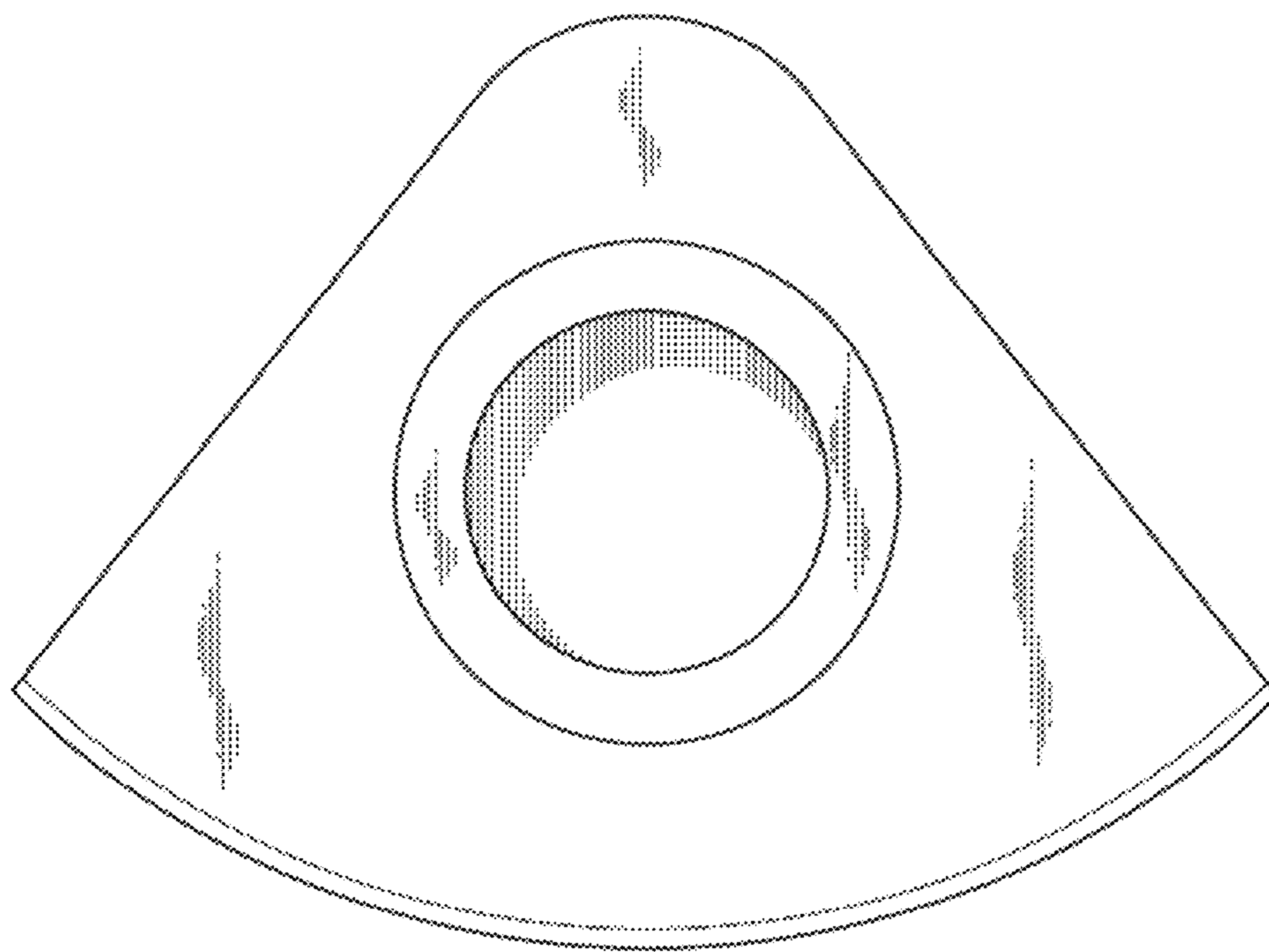


FIG. 8

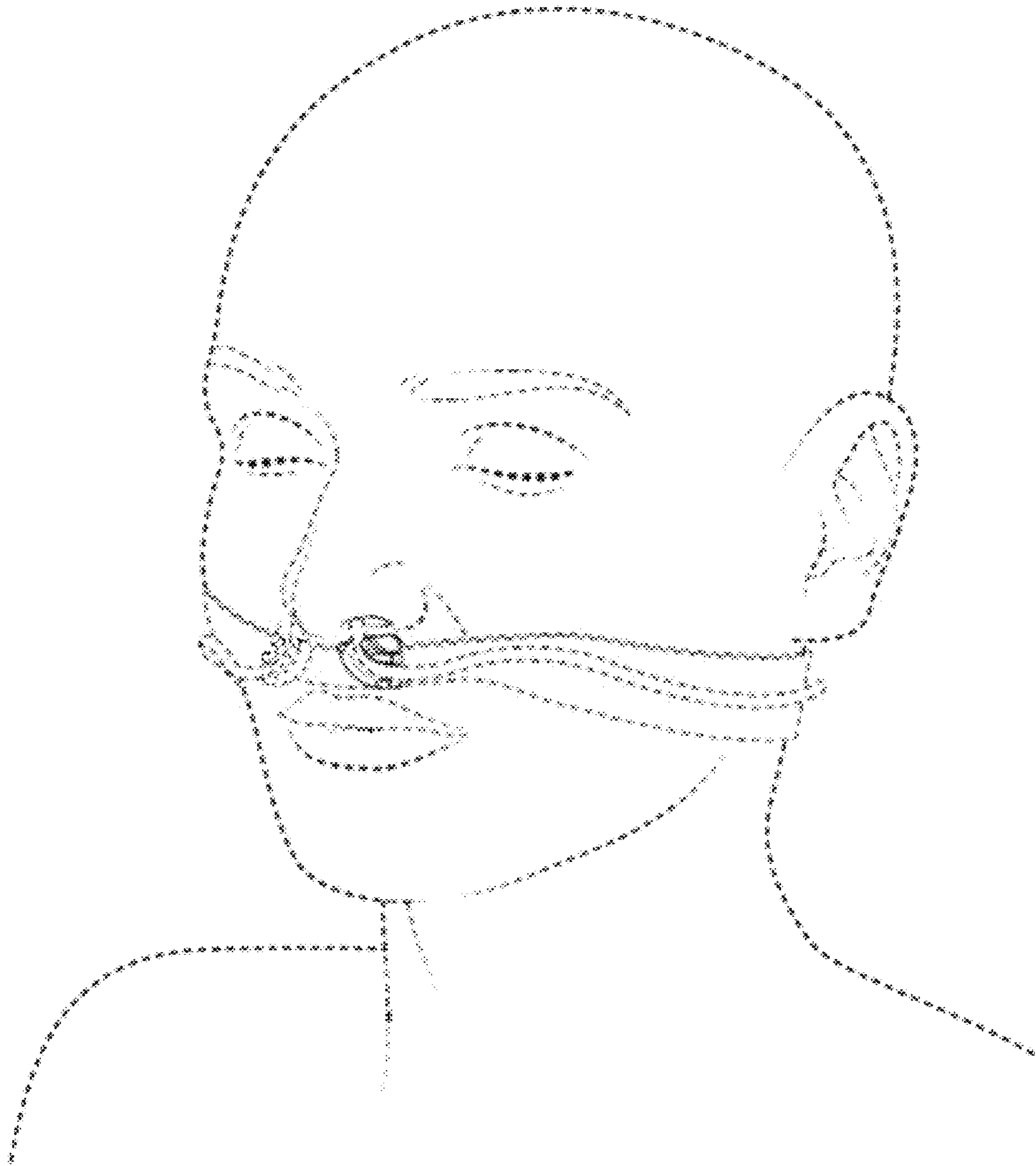


FIG. 9

UNITED STATES PATENT AND TRADEMARK OFFICE
CERTIFICATE OF CORRECTION

PATENT NO. : D889,641 S
APPLICATION NO. : 29/671688
DATED : July 7, 2020
INVENTOR(S) : John Wennborg et al.

Page 1 of 1

It is certified that error appears in the above-identified patent and that said Letters Patent is hereby corrected as shown below:

On the Title Page

After (22), insert:
--Foreign Application Priority Data
May 29, 2018 EU 005287430--

Signed and Sealed this
Thirteenth Day of April, 2021



Drew Hirshfeld
*Performing the Functions and Duties of the
Under Secretary of Commerce for Intellectual Property and
Director of the United States Patent and Trademark Office*