



US00D889639S

(12) **United States Design Patent**
Johnson et al.

(10) **Patent No.:** **US D889,639 S**
(45) **Date of Patent:** **** Jul. 7, 2020**

(54) **SYRINGE**

(71) Applicant: **Merit Medical Systems, Inc.**, South Jordan, UT (US)

(72) Inventors: **David W. Johnson**, South Jordan, UT (US); **Sarah Ashley Spangler**, Midvale, UT (US)

(73) Assignee: **Merit Medical Systems, Inc.**, South Jordan, UT (US)

(**) Term: **15 Years**

(21) Appl. No.: **29/688,349**

(22) Filed: **Apr. 19, 2019**

(51) **LOC (12) Cl.** **24-02**

(52) **U.S. Cl.**
USPC **D24/114**

(58) **Field of Classification Search**
USPC D24/112–114, 108, 133, 130, 127, 186;
606/181, 185; 604/264, 272, 187, 181,
604/184, 227
CPC A61M 5/178; A61M 3/00; A61M 5/20;
A61M 5/31; A61M 5/3146; A61M
5/3129; A61M 5/3148; A61M 5/315
See application file for complete search history.

(56) **References Cited**

U.S. PATENT DOCUMENTS

D447,797 S *	9/2001	Odell	D24/112
6,585,691 B1 *	7/2003	Vitello	A61M 5/3134 215/230
8,337,468 B1 *	12/2012	Reis	A61M 5/3257 604/181
D726,305 S *	4/2015	Furukawa	D24/114
D741,476 S *	10/2015	Hiraoka	D24/114
D792,579 S *	7/2017	Ohashi	D24/114
D804,651 S *	12/2017	Loonan	D24/114
D844,777 S *	4/2019	Combes	D24/114

D851,757 S *	6/2019	Nandi	D24/114
D876,620 S *	2/2020	Ho	D24/112
D877,894 S *	3/2020	Ho	D24/112
D877,897 S *	3/2020	Ouellette	D24/127
D878,569 S *	3/2020	Reynolds	D24/114
D880,692 S *	4/2020	Momose	D24/130

* cited by examiner

Primary Examiner — David G Muller

(74) *Attorney, Agent, or Firm* — Stoel Rives LLP

(57) **CLAIM**

The ornamental design for a syringe, as shown and described.

DESCRIPTION

FIG. 1 is a front perspective view of an embodiment of a syringe.

FIG. 2 is a back perspective view thereof.

FIG. 3 is a side view thereof. Due to symmetry about a longitudinal axis, the left and right side views are identical. Additionally, due to symmetry about a longitudinal axis, the claimed portions of the top and bottom views are identical to the claimed portion of the side view of FIG. 3.

FIG. 4 is a front view thereof.

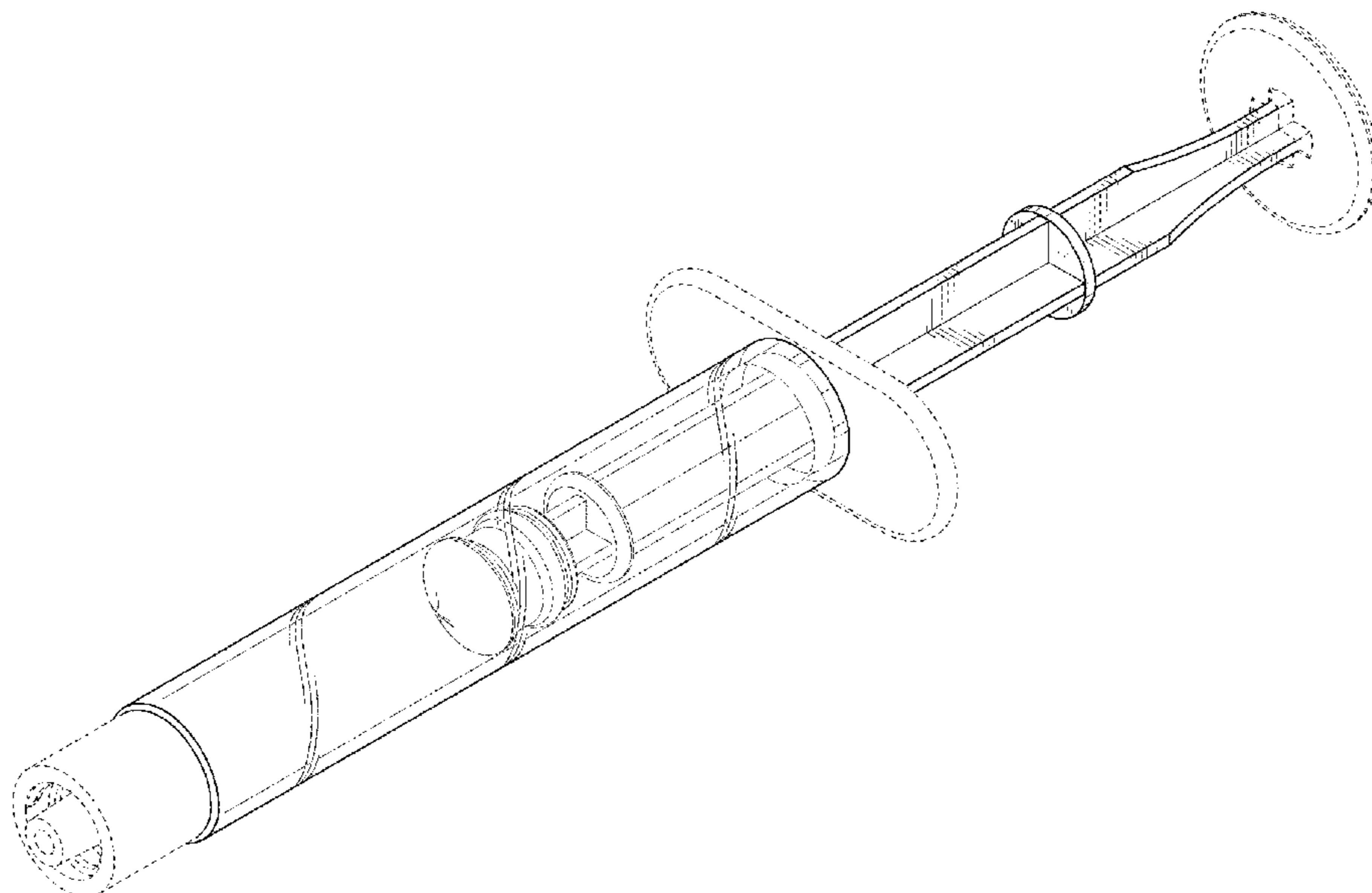
FIG. 5 is a back view thereof.

FIG. 6 is a cross-sectional top view of the syringe with a plunger partially depressed. Due to symmetry about a longitudinal axis, the cross-sectional top view is identical to a cross-sectional bottom view. Additionally, due to symmetry about a longitudinal axis, the claimed portions of a right cross-sectional view and a left-cross sectional view are identical to the claimed portions of the cross-sectional top view of FIG. 6; and,

FIG. 7 is a view of detail 7 of FIG. 6.

The broken lines showing of parts of the drawings are included for the purpose of illustrating environment and form no part of the claimed design.

1 Claim, 4 Drawing Sheets



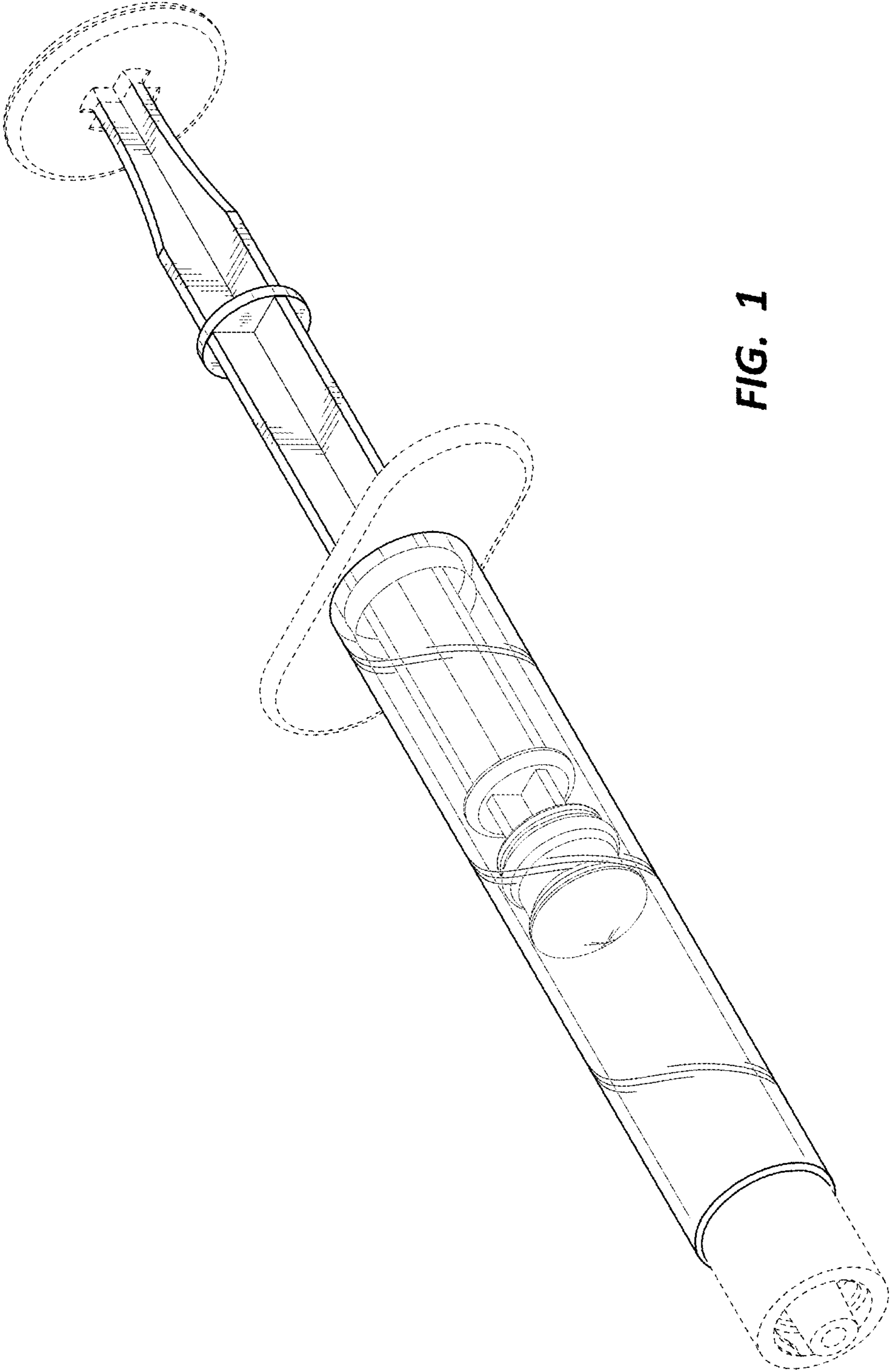


FIG. 1

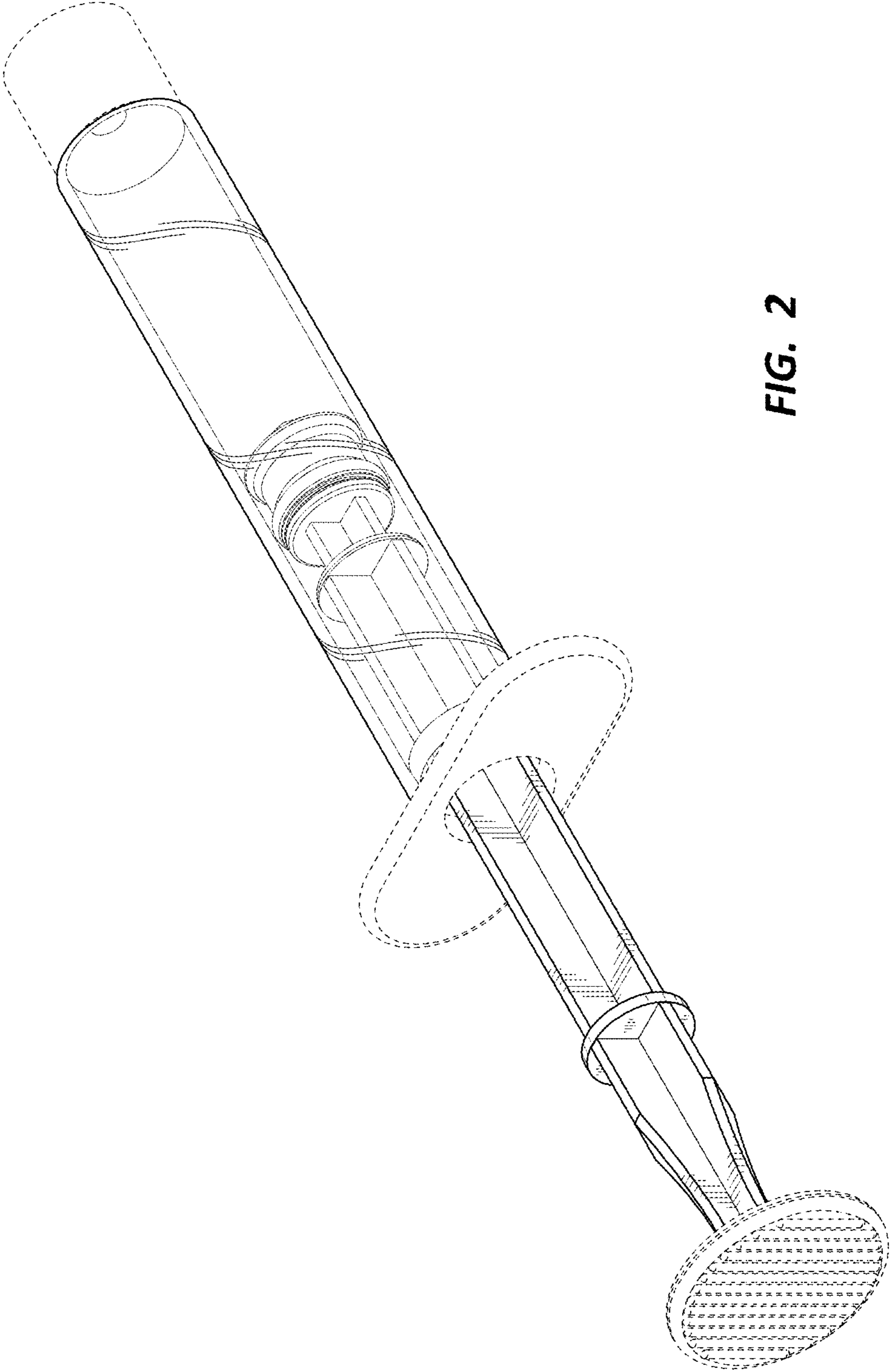


FIG. 2

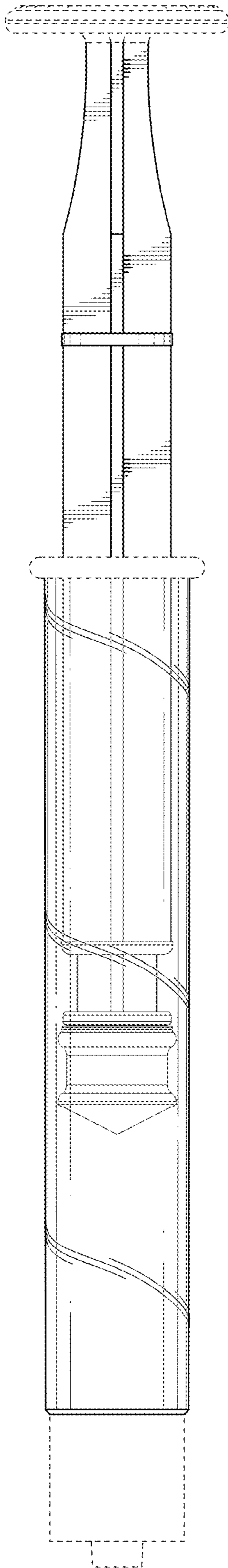


FIG. 3

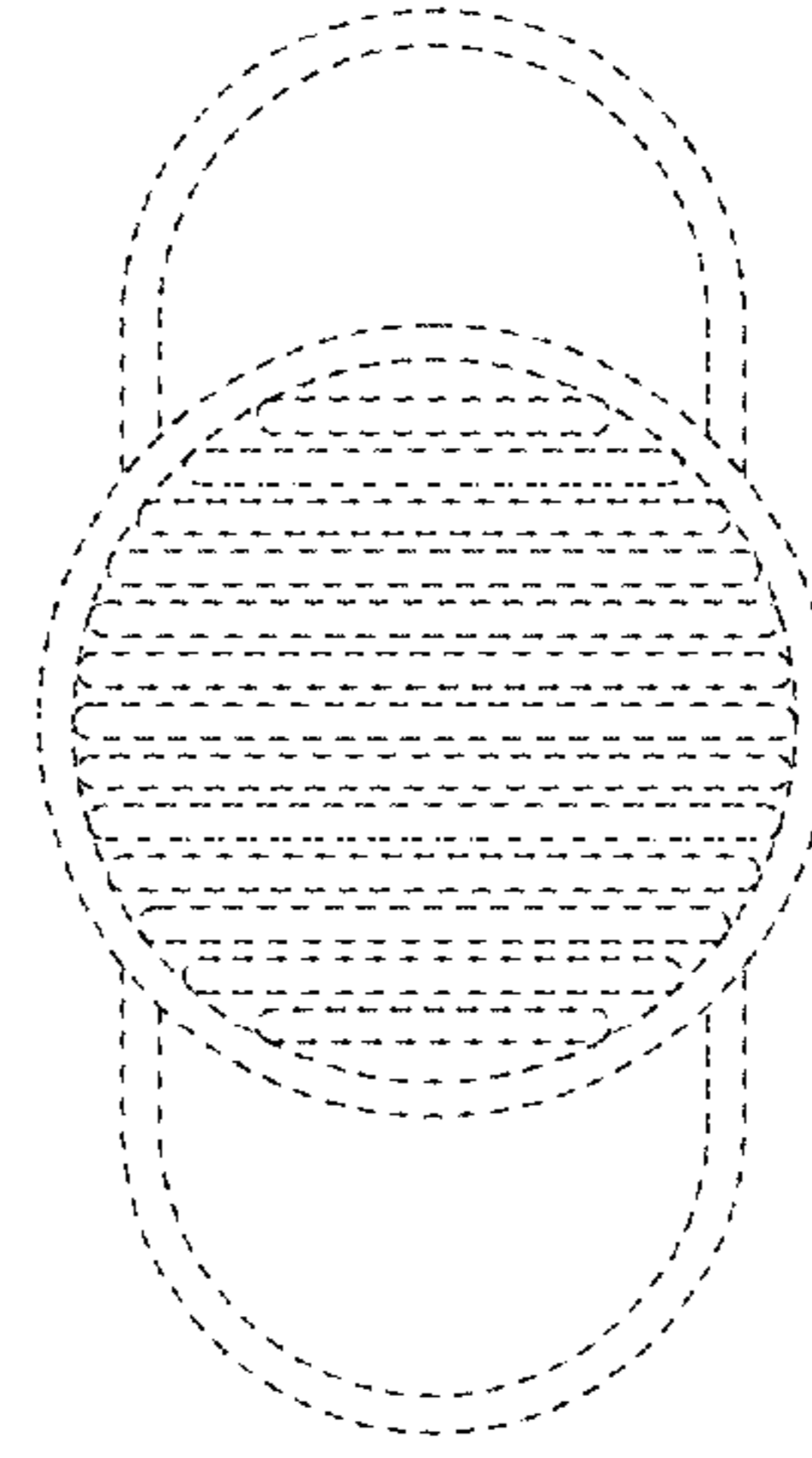


FIG. 5

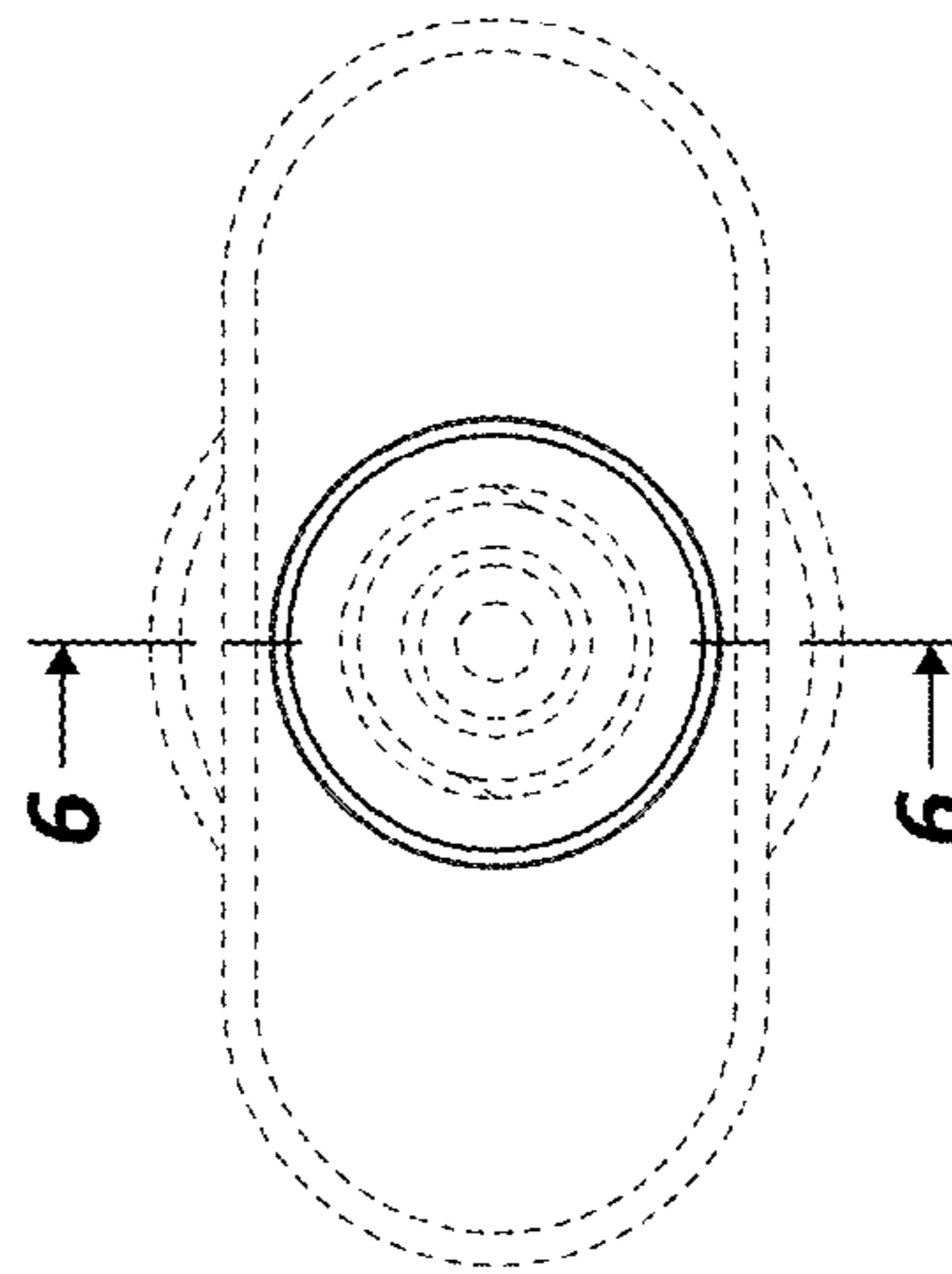


FIG. 4

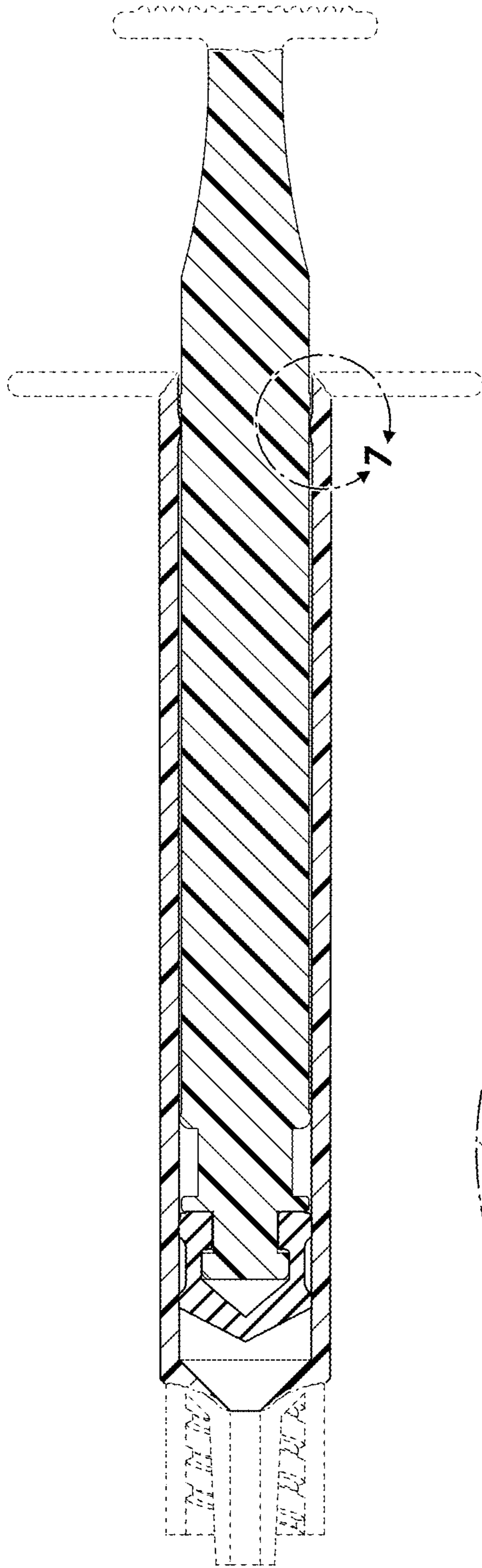


FIG. 6

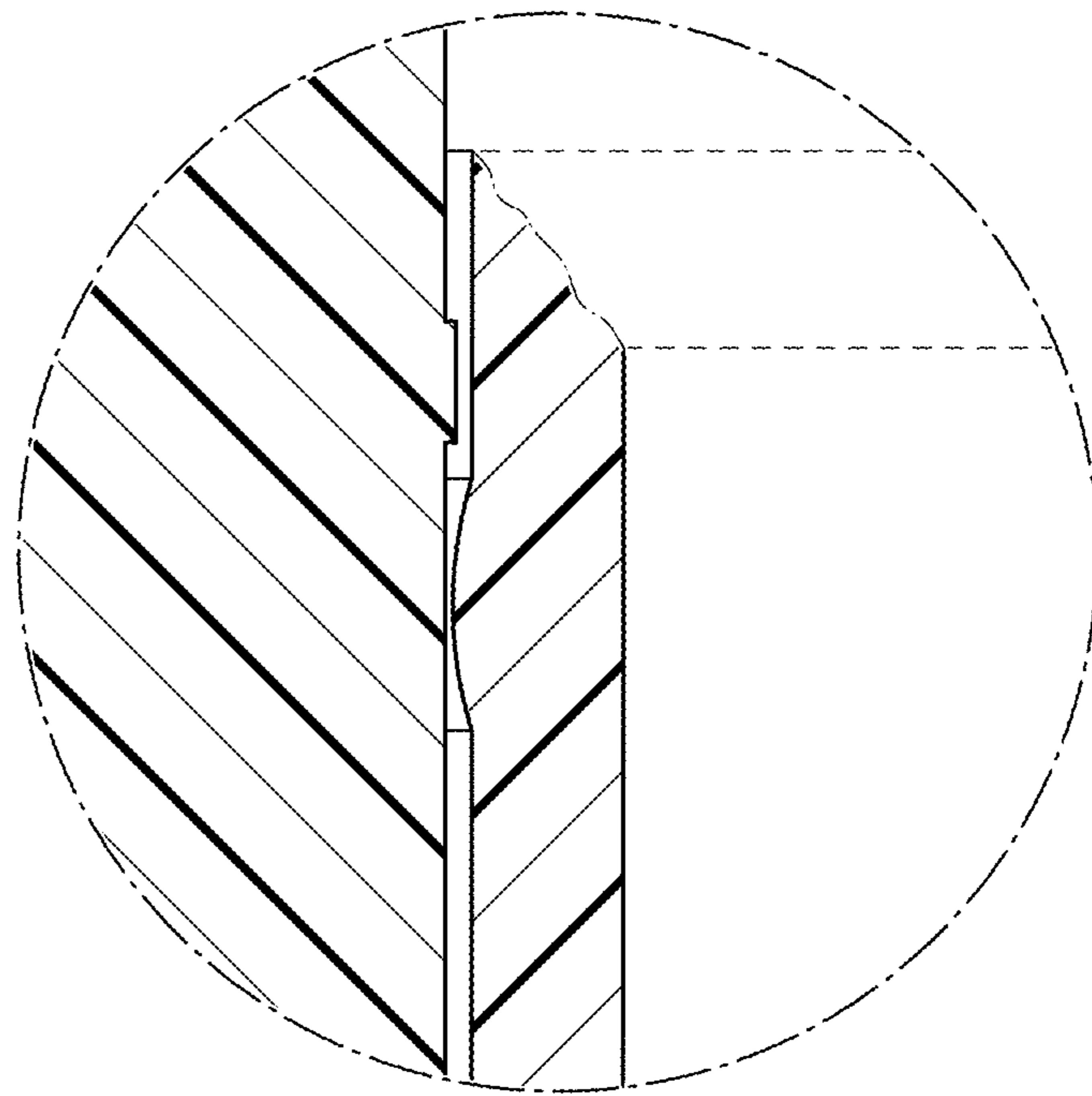


FIG. 7