



US00D889638S

(12) **United States Design Patent** (10) **Patent No.:** **US D889,638 S**
Crothall et al. (45) **Date of Patent:** **** Jul. 7, 2020**

(54) **REPLACEMENT CAP FOR PEN-INJECTOR DEVICE**

8,743,662 B2 6/2014 Sjolund et al.
D764,657 S * 8/2016 Bokelman D24/113
D782,035 S * 3/2017 Bainton D24/113
D816,834 S * 5/2018 Knight D24/130
D816,835 S * 5/2018 Knight D24/130

(71) Applicant: **Bigfoot Biomedical, Inc.**, Milpitas, CA (US)

(Continued)

(72) Inventors: **George Crothall**, Milpitas, CA (US); **Charles R. Lewis, Jr.**, Milpitas, CA (US); **Jeffrey Michael Johnson**, Milpitas, CA (US); **Per John Sjölund**, Milpitas, CA (US); **Sarah Matarese**, Milpitas, CA (US); **Ambika Srinath**, Milpitas, CA (US); **Andrew Bochenko**, Milpitas, CA (US)

FOREIGN PATENT DOCUMENTS

WO WO 2017/009724 1/2017

(73) Assignee: **BIGFOOT BIOMEDICAL, INC.**, Milpitas, CA (US)

OTHER PUBLICATIONS

Gocap.me [online], "Gocap System User's Guide," Feb. 2019, [retrieved on Feb. 20, 2019], retrieved from: URL <https://gocap.me/support/download-user-guide/>, 61 pages.

(**) Term: **15 Years**

Primary Examiner — David G Muller

(74) *Attorney, Agent, or Firm* — Hamre, Schumann, Mueller & Larson, P.C.

(21) Appl. No.: **29/645,954**

(57) **CLAIM**

(22) Filed: **Apr. 30, 2018**

The ornamental design for replacement caps for pen-injector devices, substantially as shown and described.

(51) **LOC (12) Cl.** **24-02**

DESCRIPTION

(52) **U.S. Cl.**
USPC **D24/113**

(58) **Field of Classification Search**
USPC D24/112–114, 108, 133, 130, 127, 186; 606/181, 185; 604/264, 272, 187, 181, 604/184, 227
CPC A61M 5/178; A61M 3/00; A61M 5/20; A61M 5/31; A61M 5/3146; A61M 5/3129; A61M 5/3148; A61M 5/315
See application file for complete search history.

FIG. 1 is a perspective view of a replacement cap in accordance with the design in the environment of having it attached to a pen-injector device.
FIG. 2 is a perspective view thereof;
FIG. 3 is another perspective view thereof;
FIG. 4 is a right-side elevation view thereof;
FIG. 5 is a left-side elevation view thereof;
FIG. 6 is a front elevation view thereof;
FIG. 7 is a rear elevation view thereof;
FIG. 8 is a top plan view thereof; and,
FIG. 9 is a bottom plan view thereof.

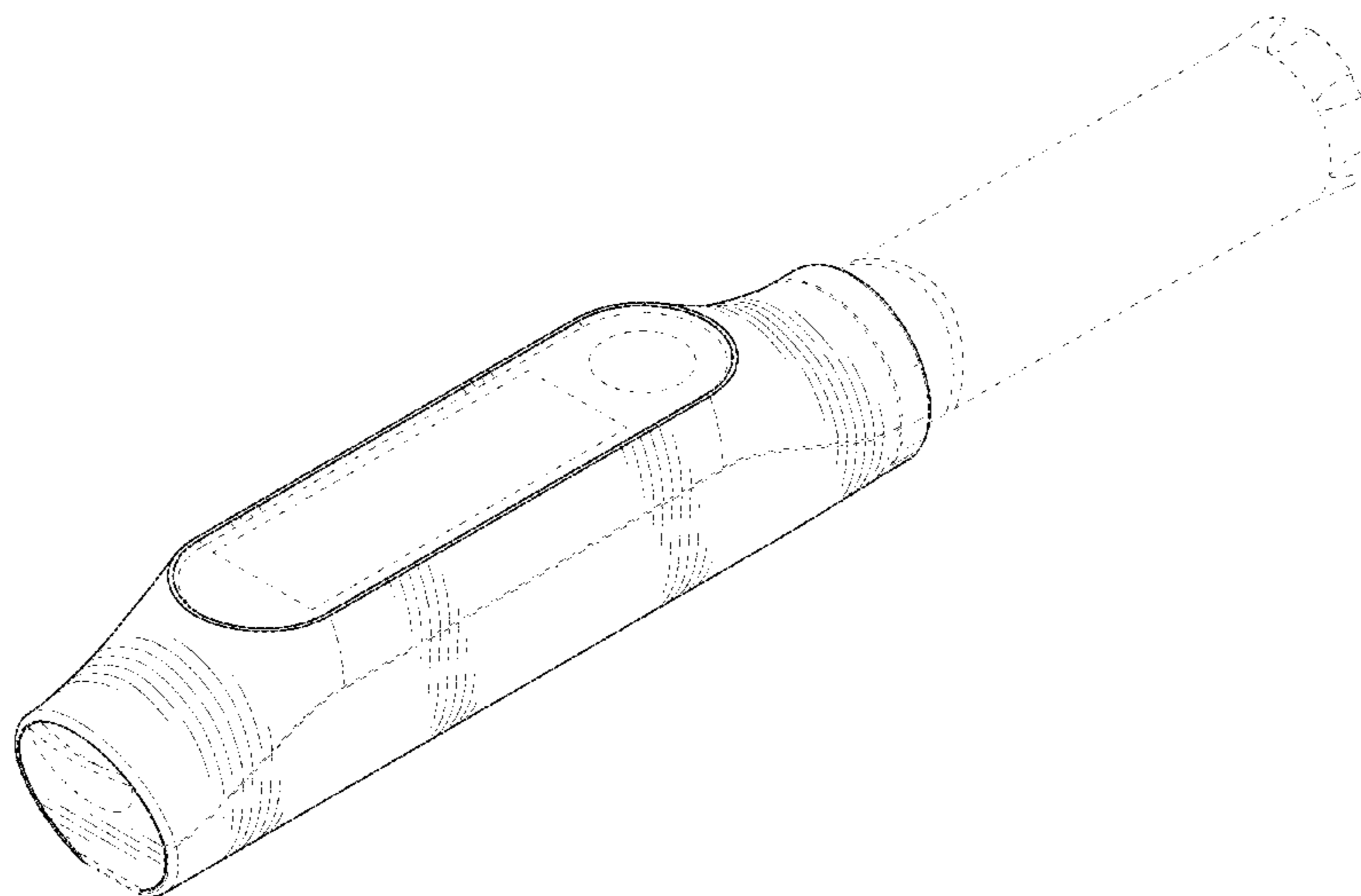
(56) **References Cited**

U.S. PATENT DOCUMENTS

D569,508 S * 5/2008 Bacher D24/133
D571,465 S * 6/2008 Koros D24/133
D680,640 S * 4/2013 Merchant D24/108
D681,807 S * 5/2013 Niedbala D24/113
D697,205 S * 1/2014 Schneider D24/113

The broken lines represent the bounds of the claimed design or are otherwise are directed to environment or for illustrative purposes only. The broken lines form no part of the claimed design.

1 Claim, 8 Drawing Sheets



(56)

References Cited

U.S. PATENT DOCUMENTS

D828,551 S	*	9/2018	Zou	D24/130
D830,538 S	*	10/2018	Guillermo	D24/112
D840,030 S	*	2/2019	Smith	D24/140
D843,596 S	*	3/2019	Bonutti	A61N 7/00 D24/231
2016/0162797	A1	6/2016	Thorpe	
2018/0085532	A1	3/2018	Desborough et al.	

* cited by examiner

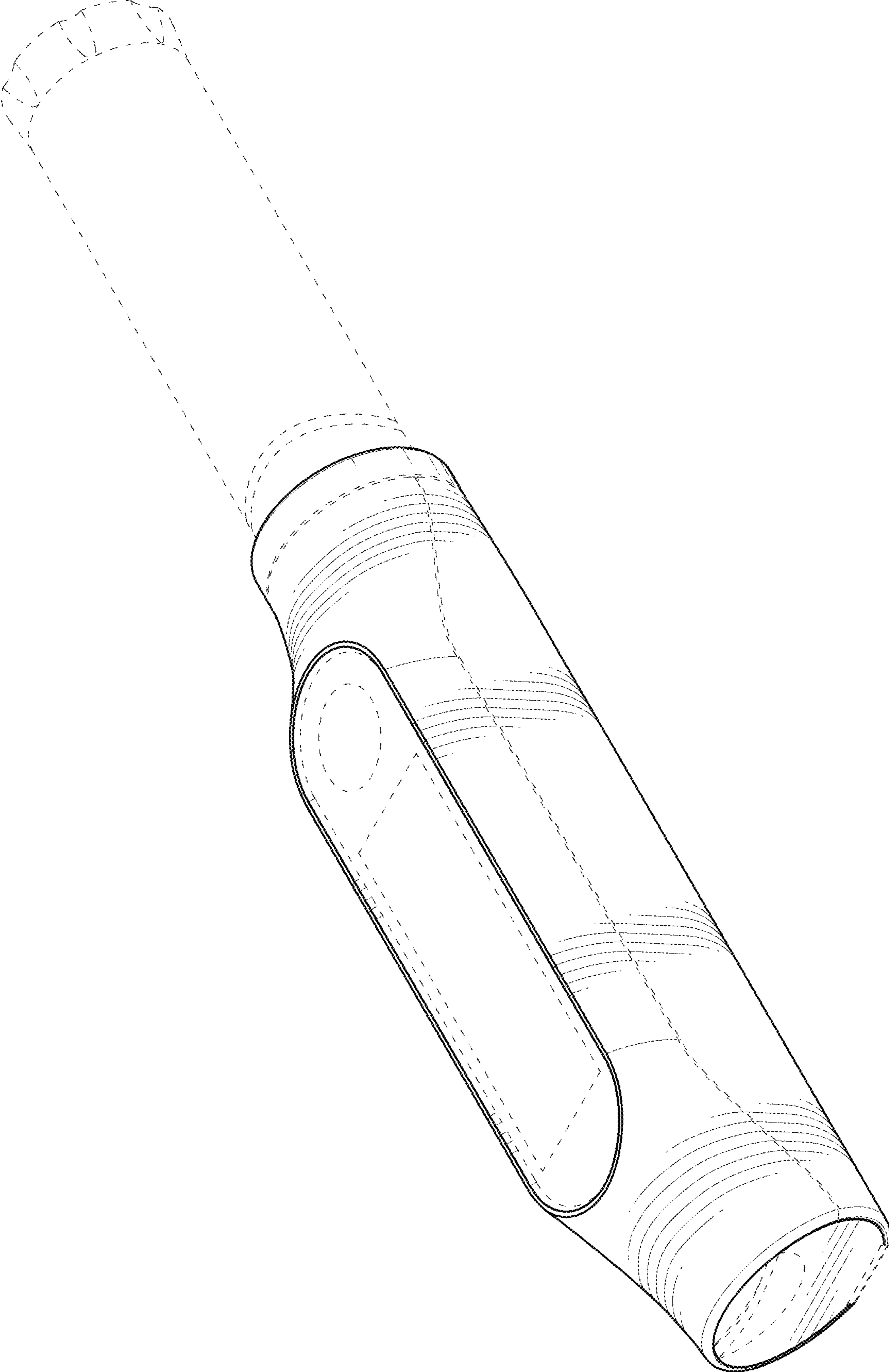


FIG. 1

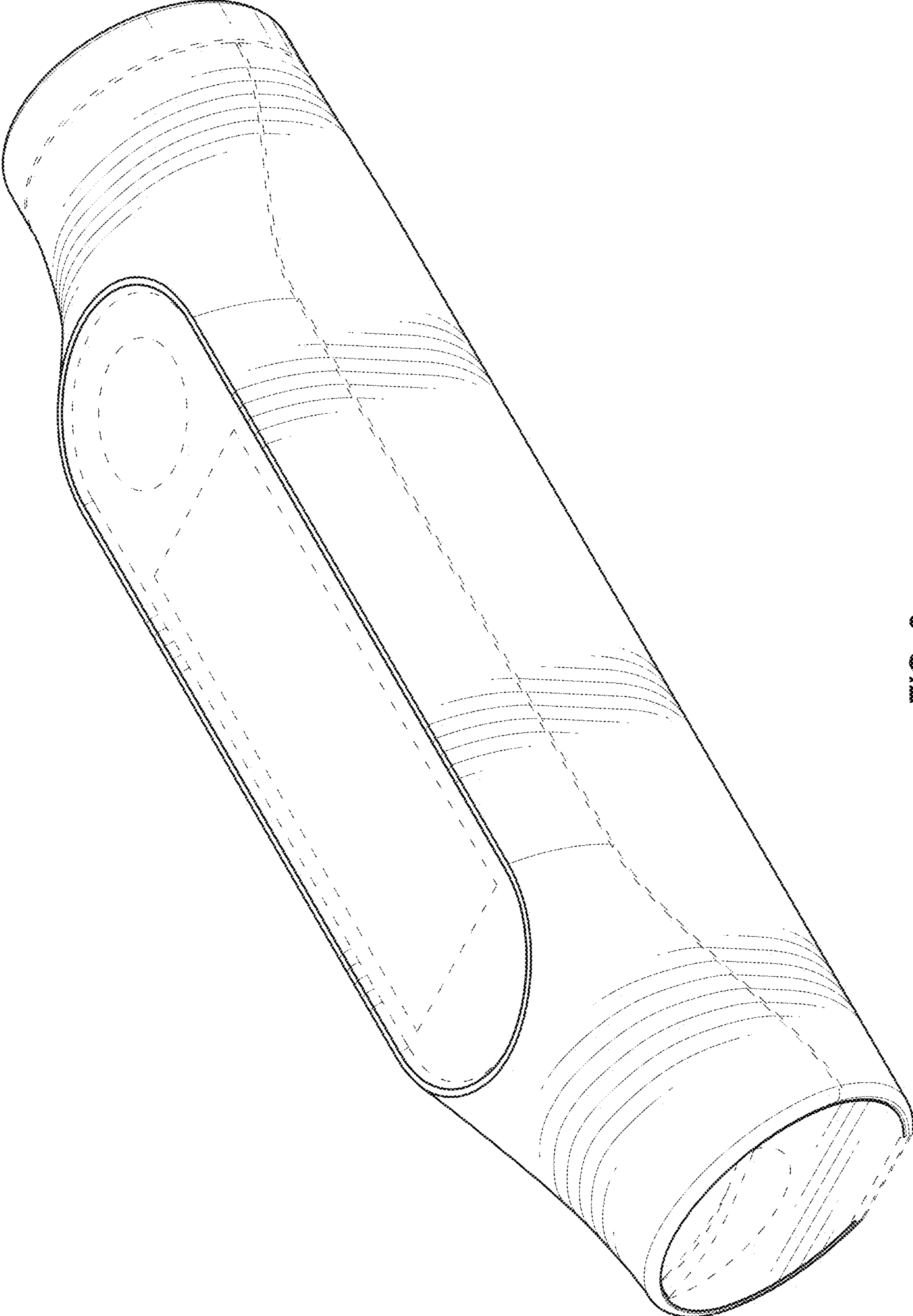


FIG. 2

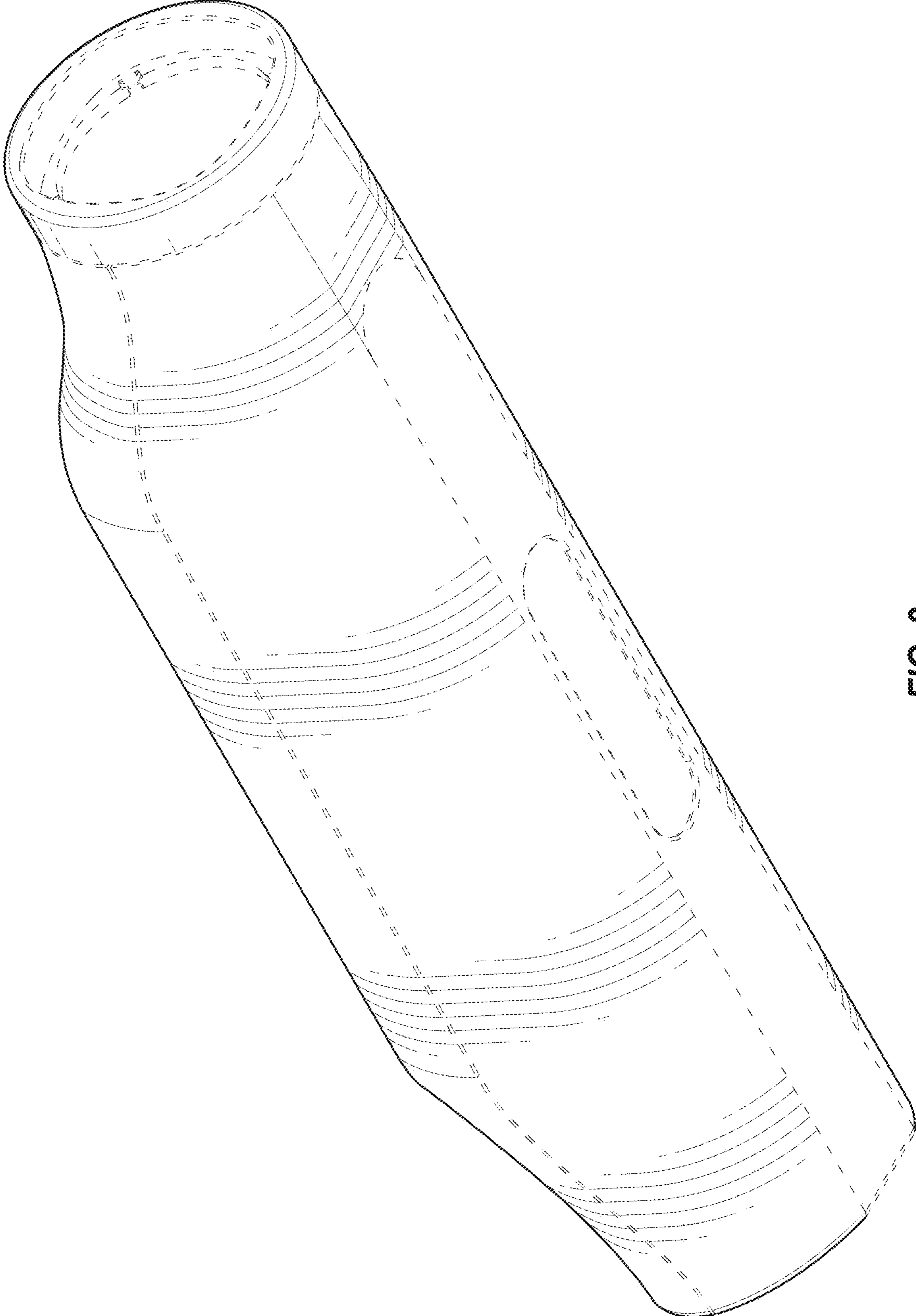


FIG. 3

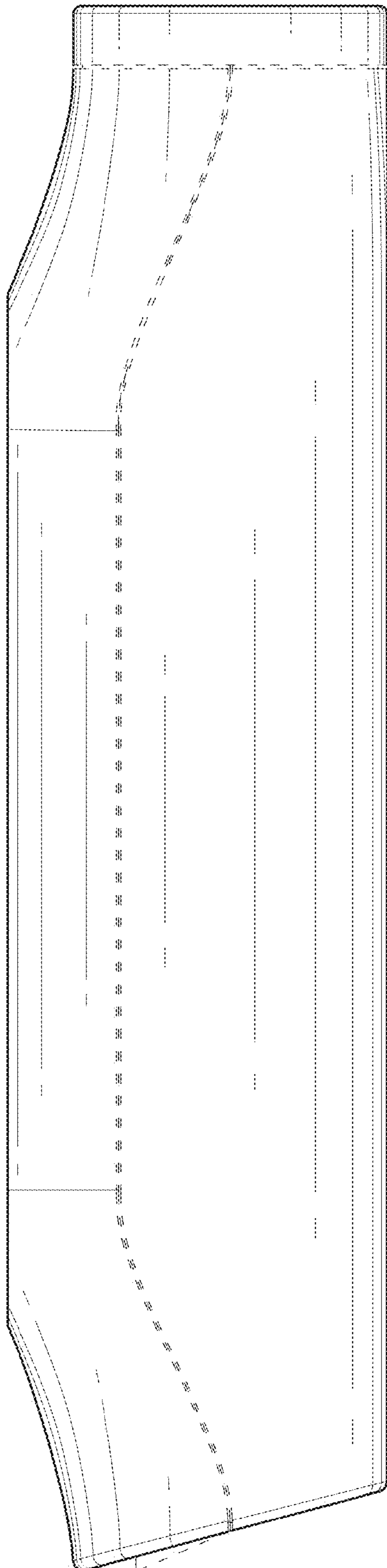


FIG. 4

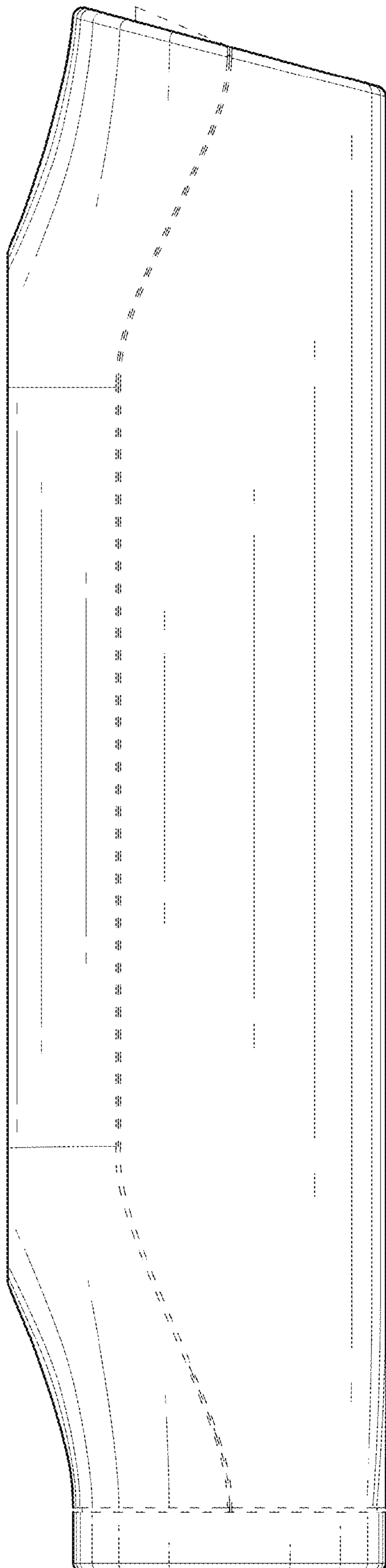


FIG. 5

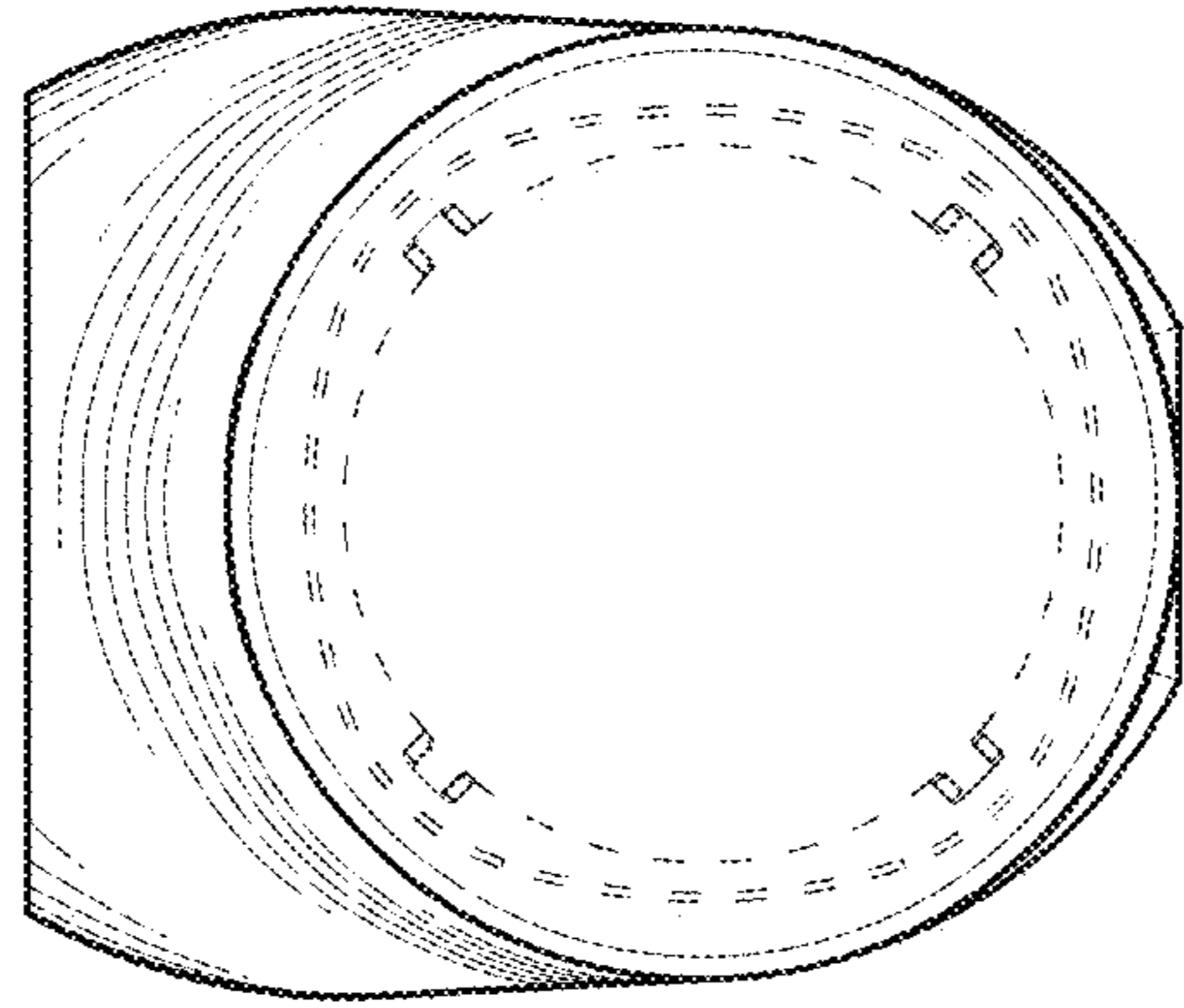


FIG. 7

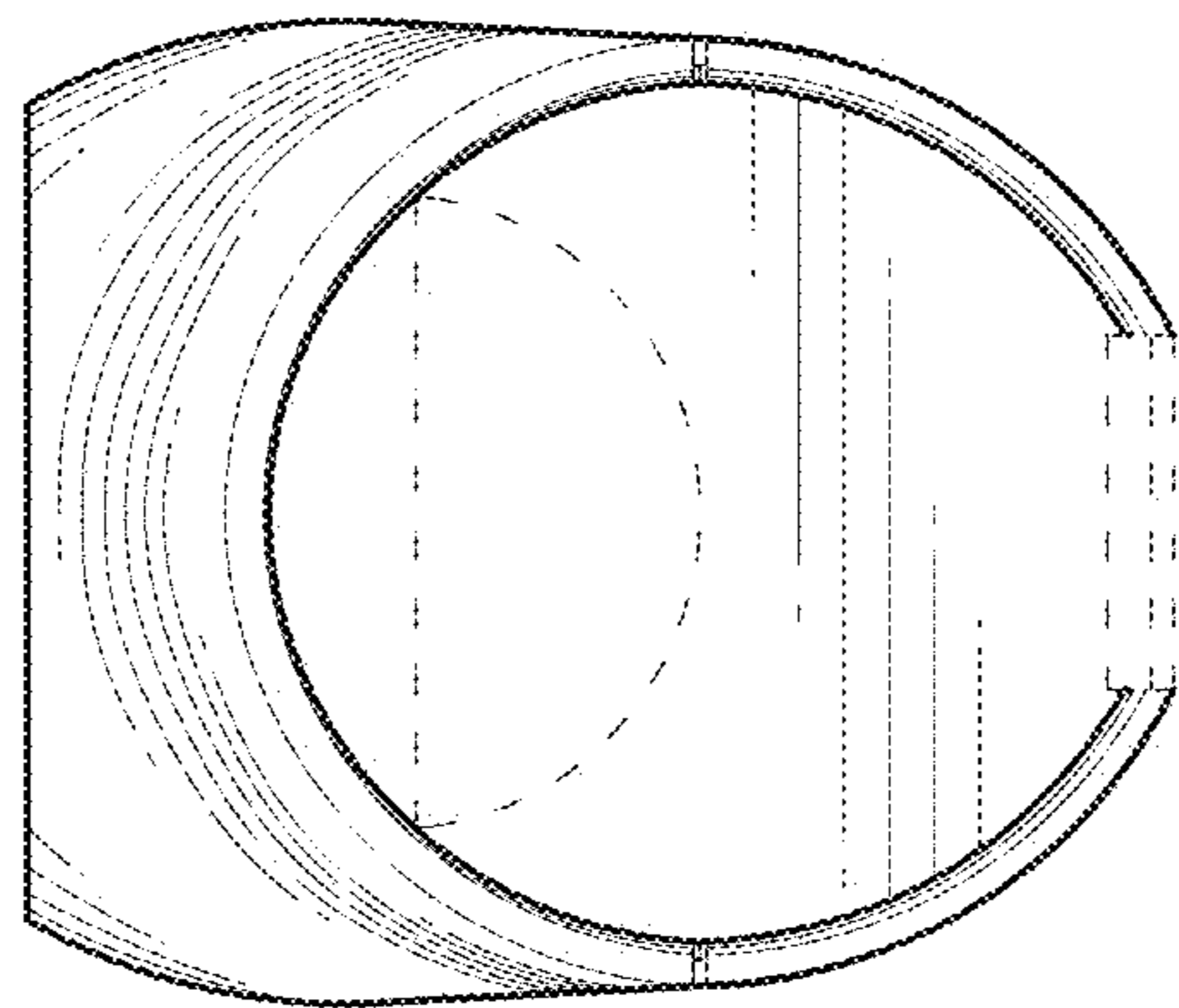


FIG. 6

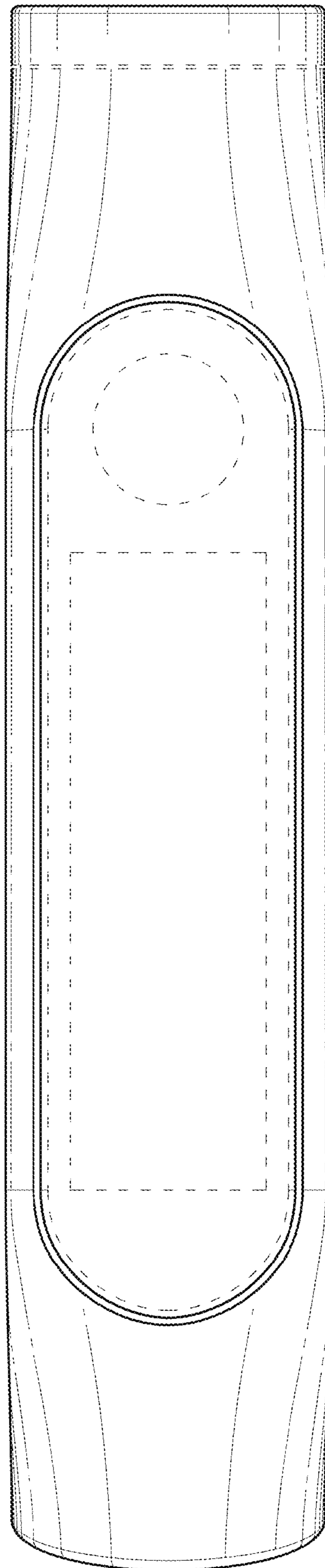


FIG. 8

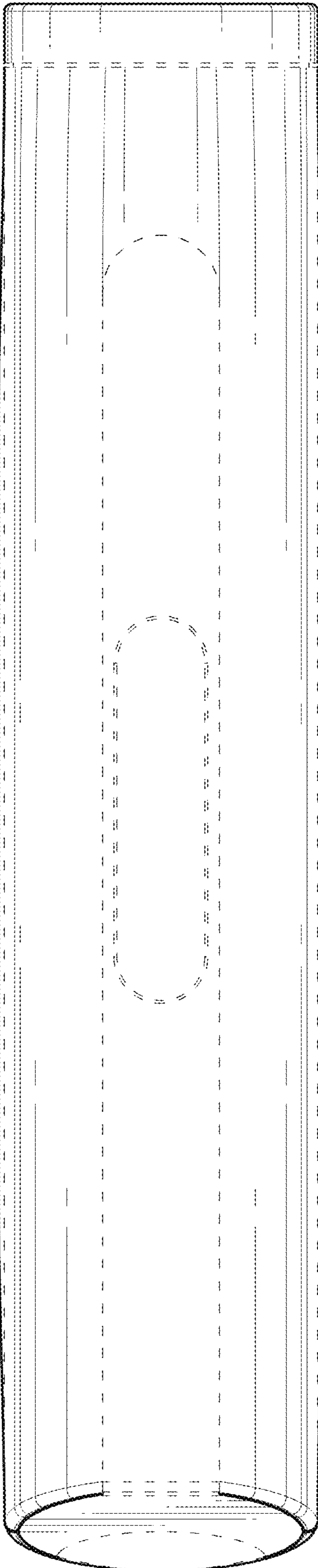


FIG. 9