



US00D889633S

(12) **United States Design Patent**
Chang et al.

(10) **Patent No.:** **US D889,633 S**
(45) **Date of Patent:** **** Jul. 7, 2020**

(54) **LOADING TRACK**
(71) Applicant: **Cepheid**, Sunnyvale, CA (US)
(72) Inventors: **Ronald Chang**, Redwood City, CA (US); **Steven M. Montgomery**, Los Angeles, CA (US); **Gregory Mote**, Sunnyvale, CA (US)
(73) Assignee: **Cepheid**, Sunnyvale, CA (US)

(**) Term: **15 Years**

(21) Appl. No.: **29/647,907**

(22) Filed: **May 16, 2018**

Related U.S. Application Data

(63) Continuation of application No. 15/816,960, filed on Nov. 17, 2017.

(51) **LOC (12) Cl.** **24-02**

(52) **U.S. Cl.**
USPC **D24/107; D24/227**

(58) **Field of Classification Search**
USPC D24/107, 127-128, 216, 231-234, 227, D24/229
CPC G01N 35/04; G01N 35/02; G01N 2035/0412; G01N 2035/00801; G01N 35/026

See application file for complete search history.

(56) **References Cited**

U.S. PATENT DOCUMENTS

D240,744 S * 7/1976 Reisdorf D24/226
D287,632 S * 1/1987 Moore D24/226
4,849,177 A * 7/1989 Jordan B01L 3/508 422/64
D303,837 S * 10/1989 Albert D24/226
4,908,320 A * 3/1990 Zakowski G01N 35/025 422/64
D322,856 S * 12/1991 Heath D24/226

5,077,013 A * 12/1991 Guigan G01N 21/07 422/64
5,084,242 A * 1/1992 Sakuma G01N 35/1002 422/509
D330,770 S * 11/1992 Rodomista D24/186
D337,387 S * 7/1993 Frenkel D24/224
5,314,825 A * 5/1994 Weyrauch G01N 35/00663 356/246
5,622,675 A * 4/1997 Glenday B01L 3/5085 422/552
D452,740 S * 1/2002 Brennan D24/216
(Continued)

Primary Examiner — Lilyana Bekic

(74) *Attorney, Agent, or Firm* — Kilpatrick Townsend & Stockton LLP

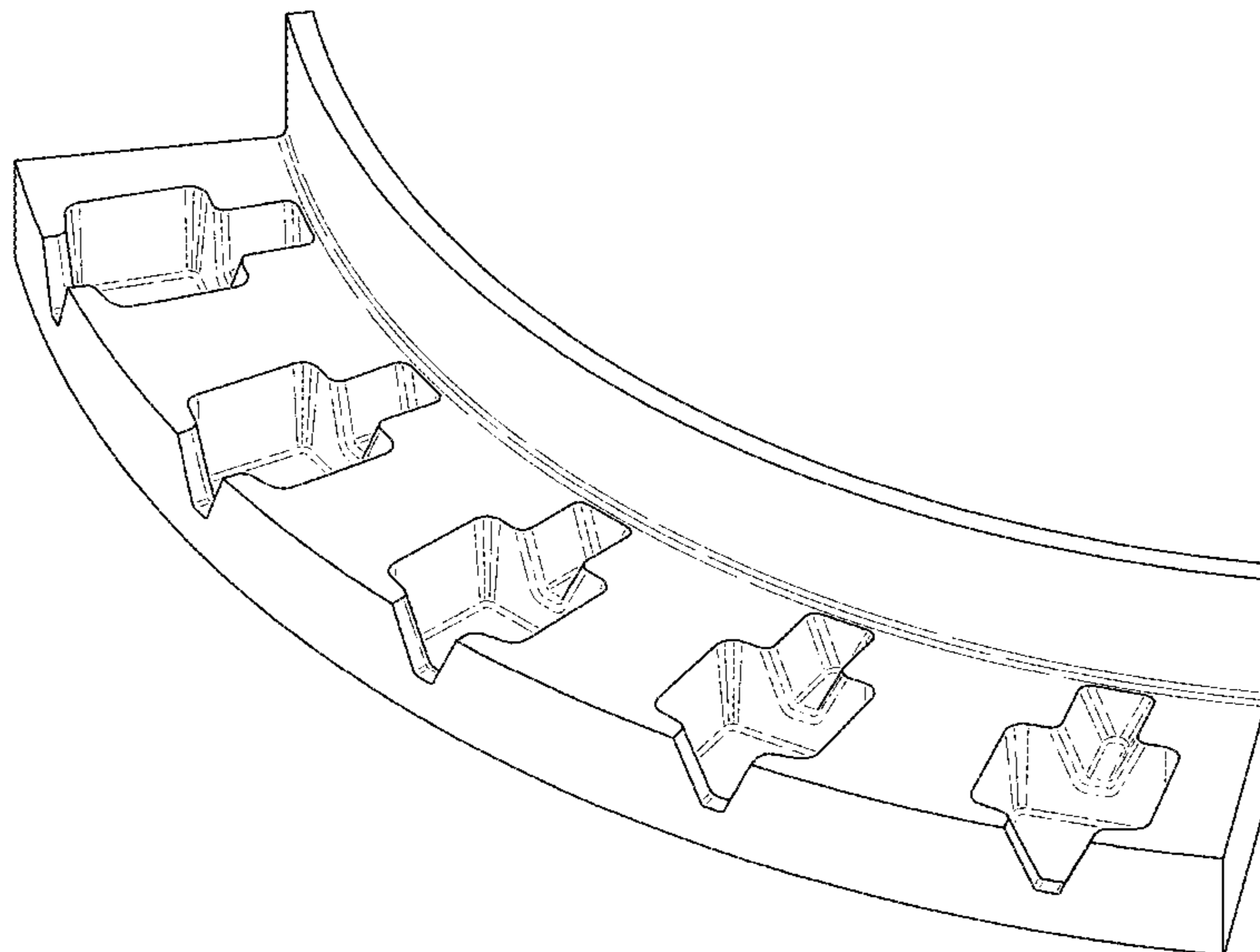
(57) **CLAIM**

The ornamental design for a loading track, as shown and described.

DESCRIPTION

FIG. 1 is a front perspective view of loading track showing our new design;
FIG. 2 is a rear perspective view thereof;
FIG. 3 is a top plan view thereof;
FIG. 4 is a cross-sectional view taken along line 4-4 of FIG. 3;
FIG. 5 is a cross-sectional view taken along line 5-5 of FIG. 3;
FIG. 6 is a bottom plan view thereof;
FIG. 7 is a front elevational view thereof;
FIG. 8 is a rear elevational view thereof;
FIG. 9 is a right side elevational view thereof;
FIG. 10 is a left side elevational view thereof; and,
FIG. 11 is a front perspective view thereof shown within an environment of an assay processing system.
The broken line showing of the assay processing system in FIG. 11 depicts environmental structure and forms no part of the claimed design.

1 Claim, 11 Drawing Sheets



(56)

References Cited

U.S. PATENT DOCUMENTS

D509,000 S * 8/2005 Barnes D24/176
7,587,952 B2 * 9/2009 Dale B01L 9/06
422/562
7,815,858 B2 * 10/2010 Sevigny B01L 9/06
422/509
D740,956 S * 10/2015 Oonuma D24/216
D802,786 S * 11/2017 Chang D24/216
D804,049 S * 11/2017 Chang D24/216
D834,722 S * 11/2018 Sugie D24/227
2008/0247914 A1 * 10/2008 Edens G01N 35/0099
422/400
2018/0143215 A1 * 5/2018 Chang G01N 35/00871
2018/0252707 A1 * 9/2018 Zhang G01N 35/1002
2019/0234977 A1 * 8/2019 Antinjuntti B01L 9/06

* cited by examiner

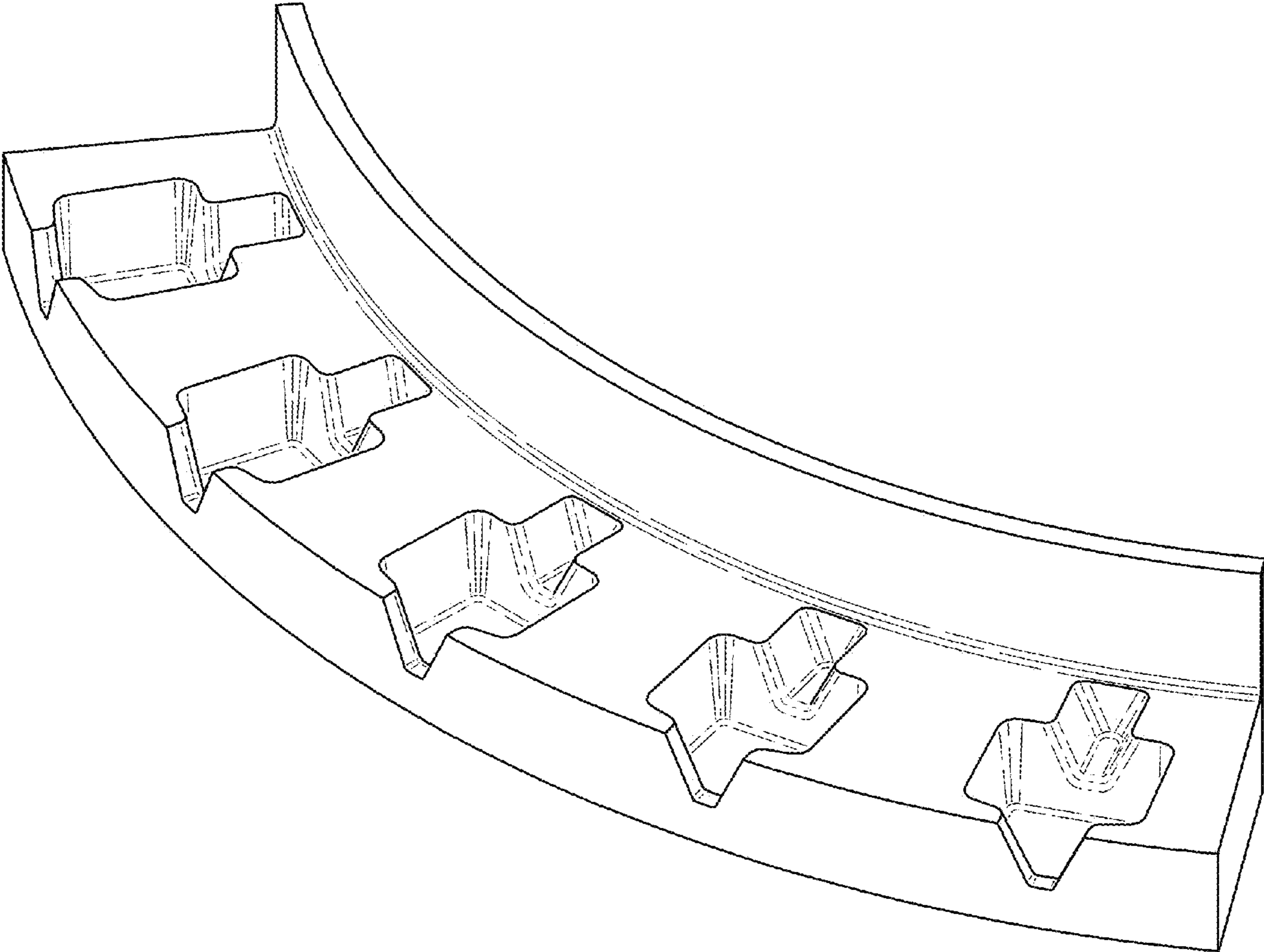


Figure 1

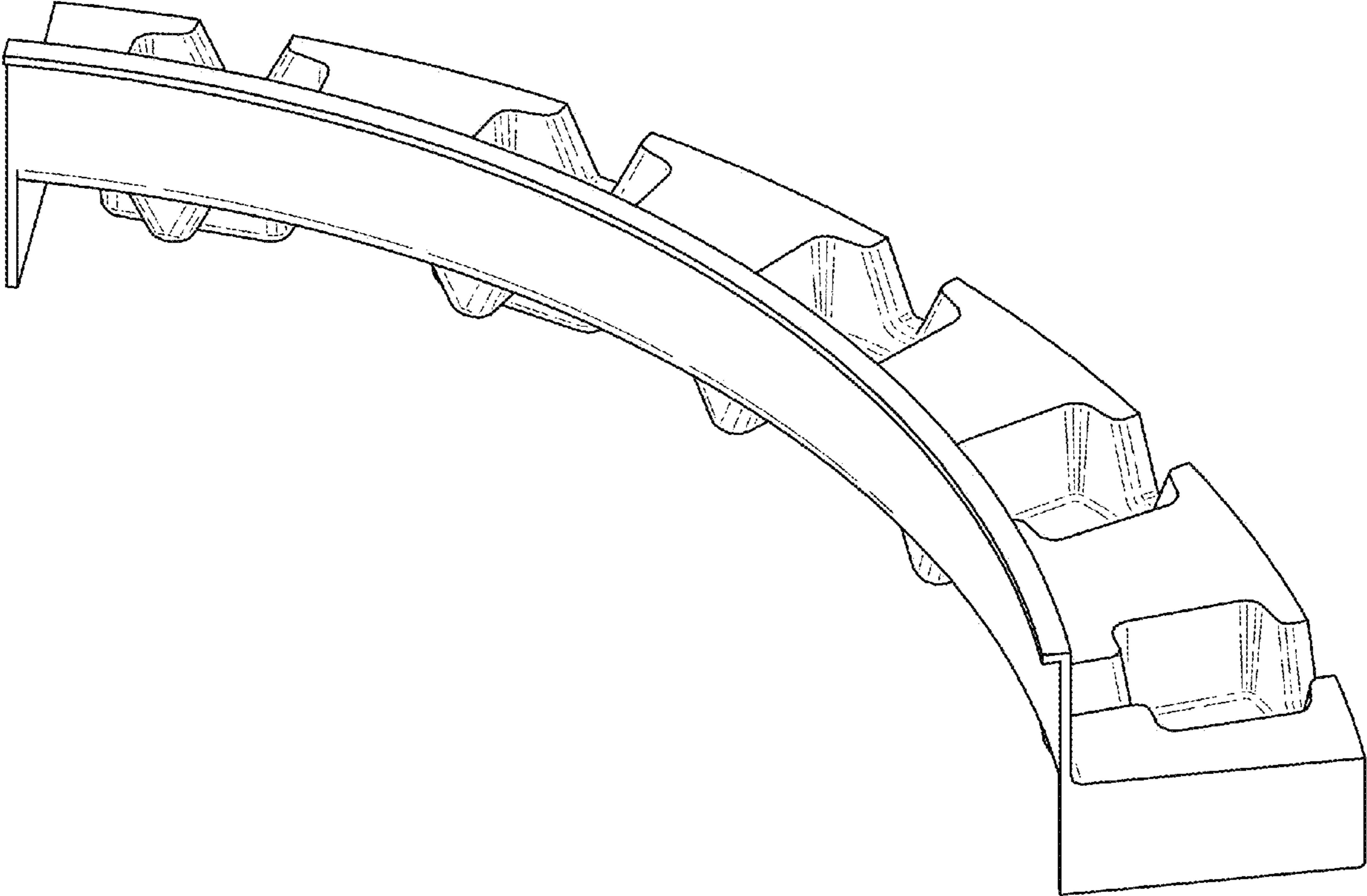


Figure 2

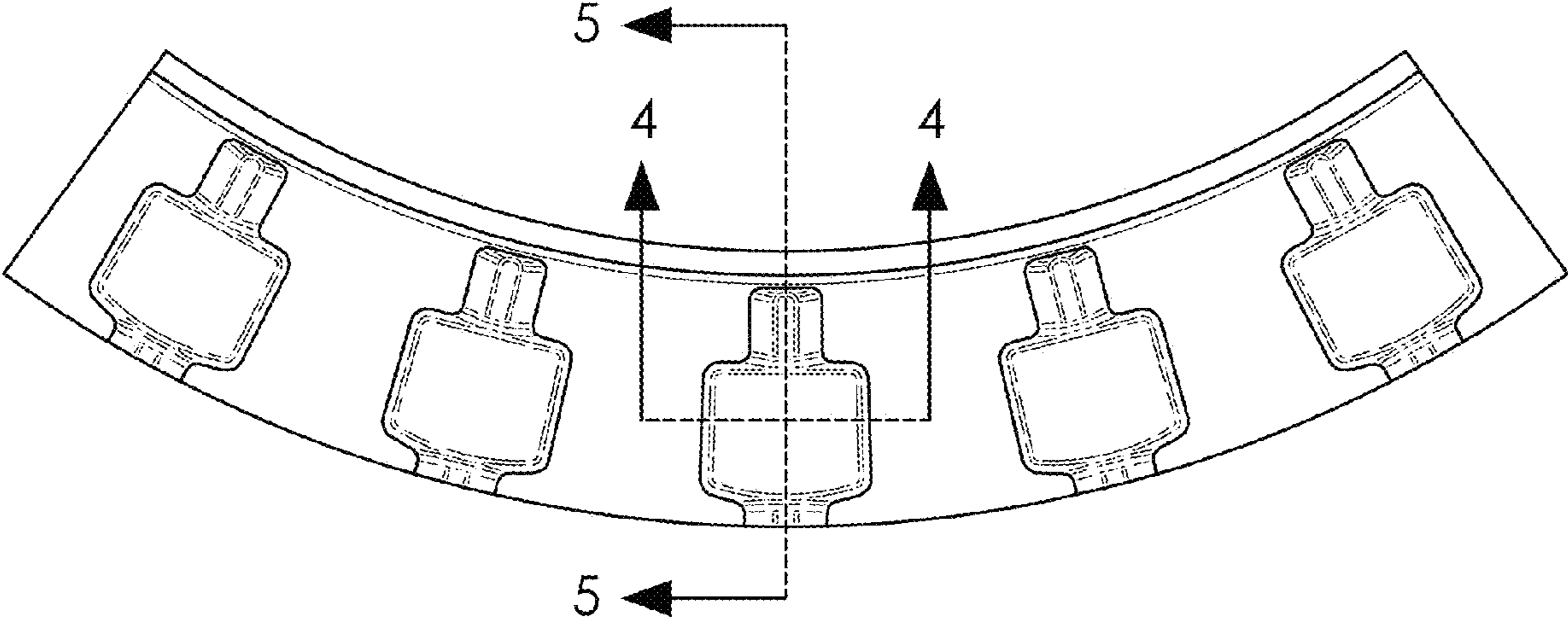


Figure 3

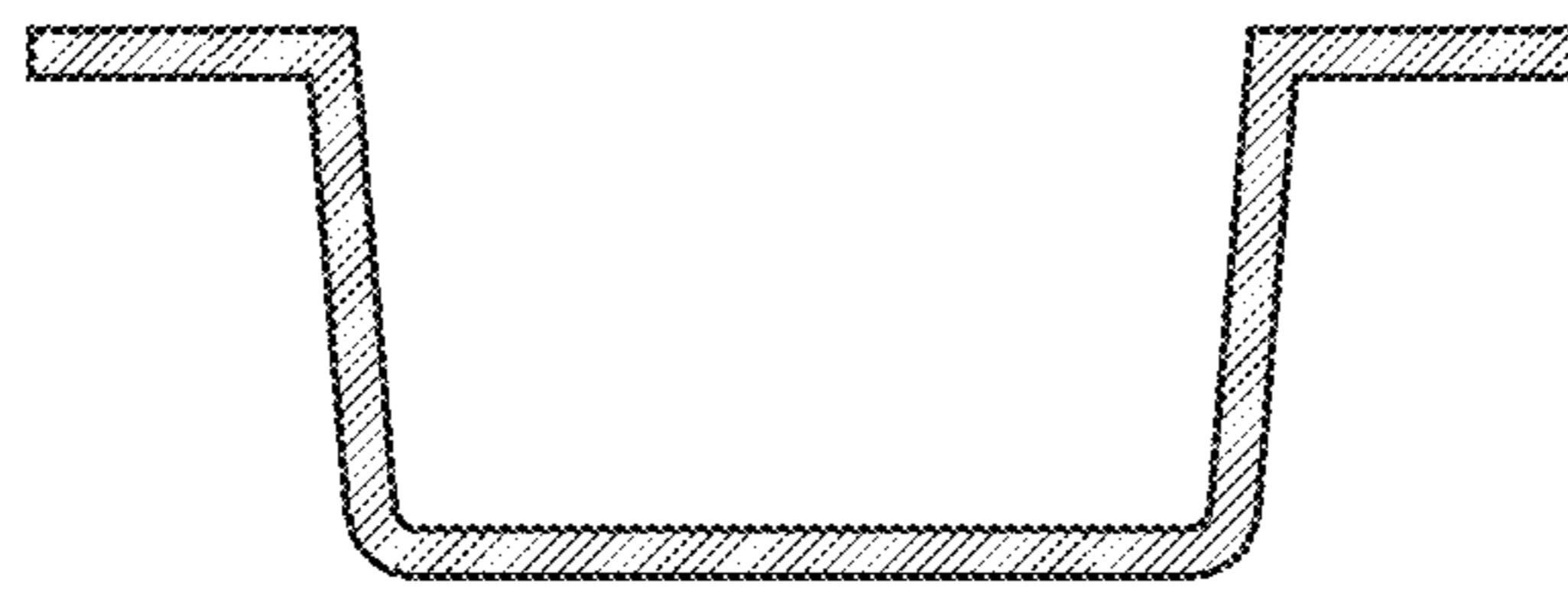


Figure 4

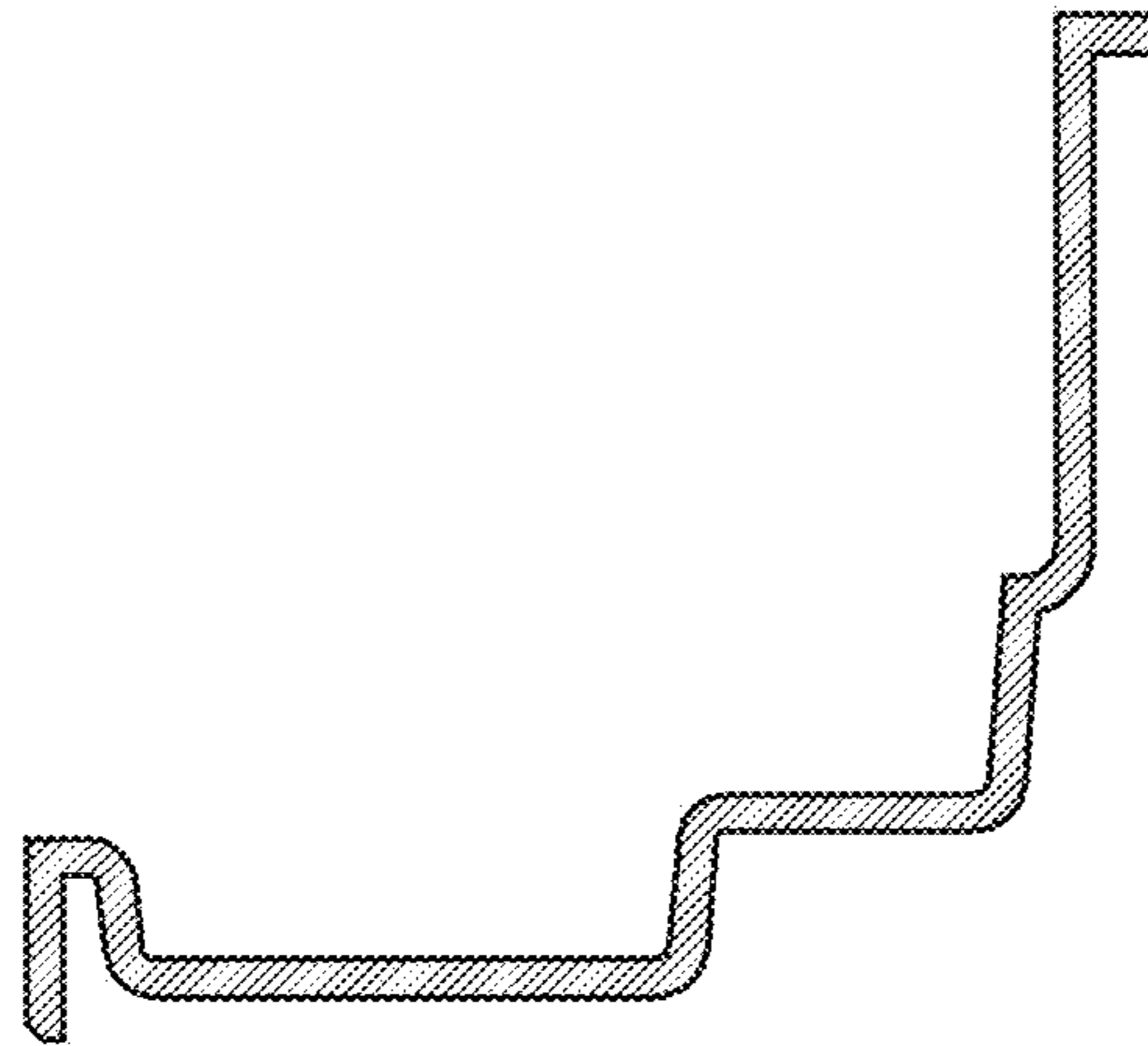


Figure 5

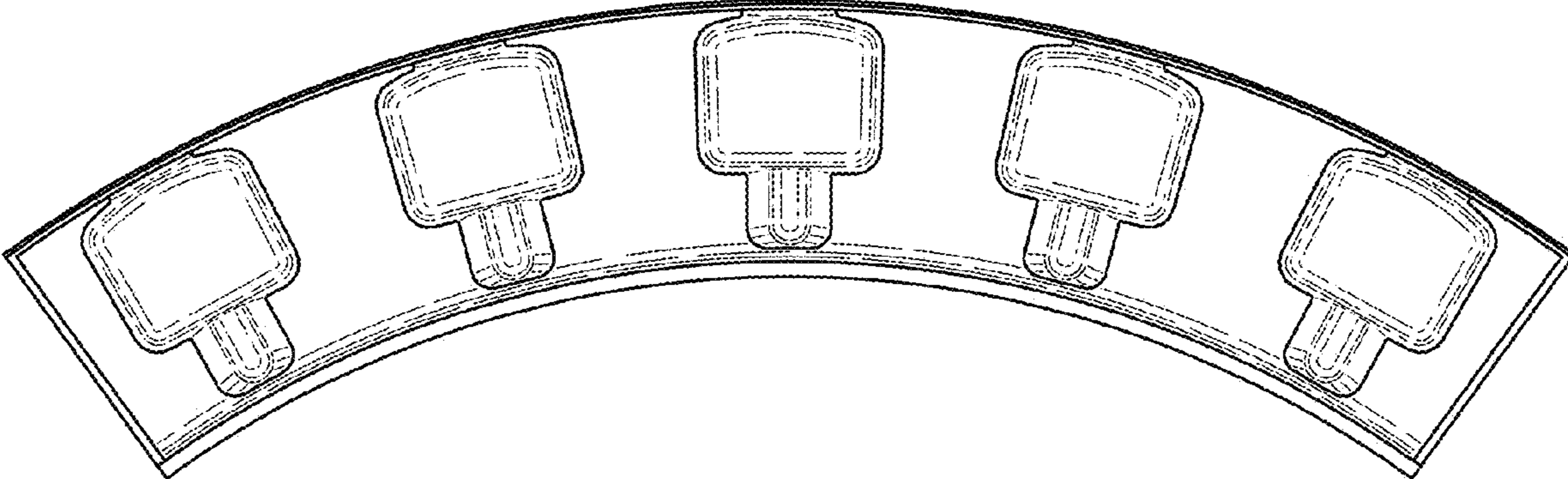


Figure 6

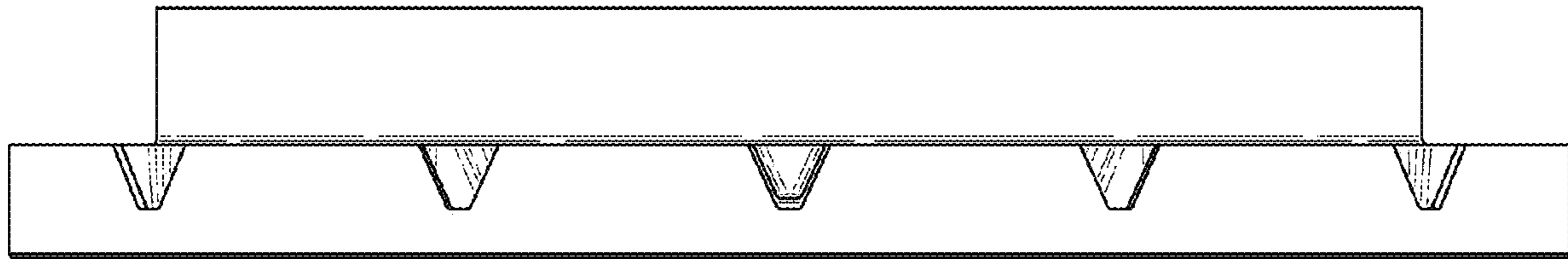


Figure 7

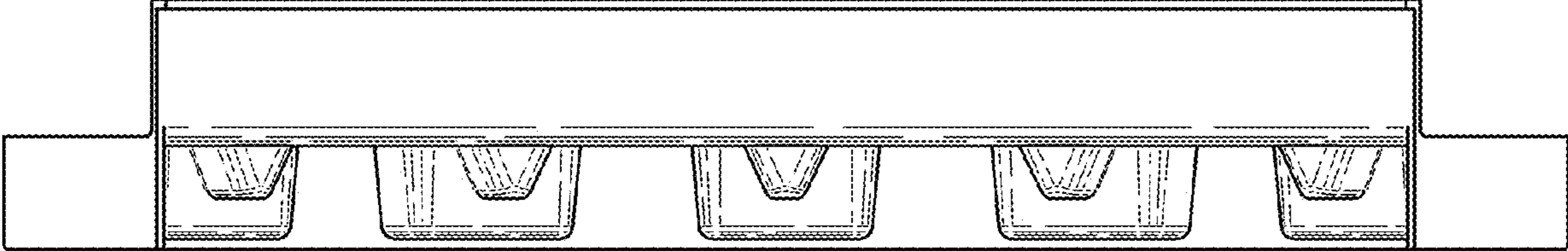


Figure 8

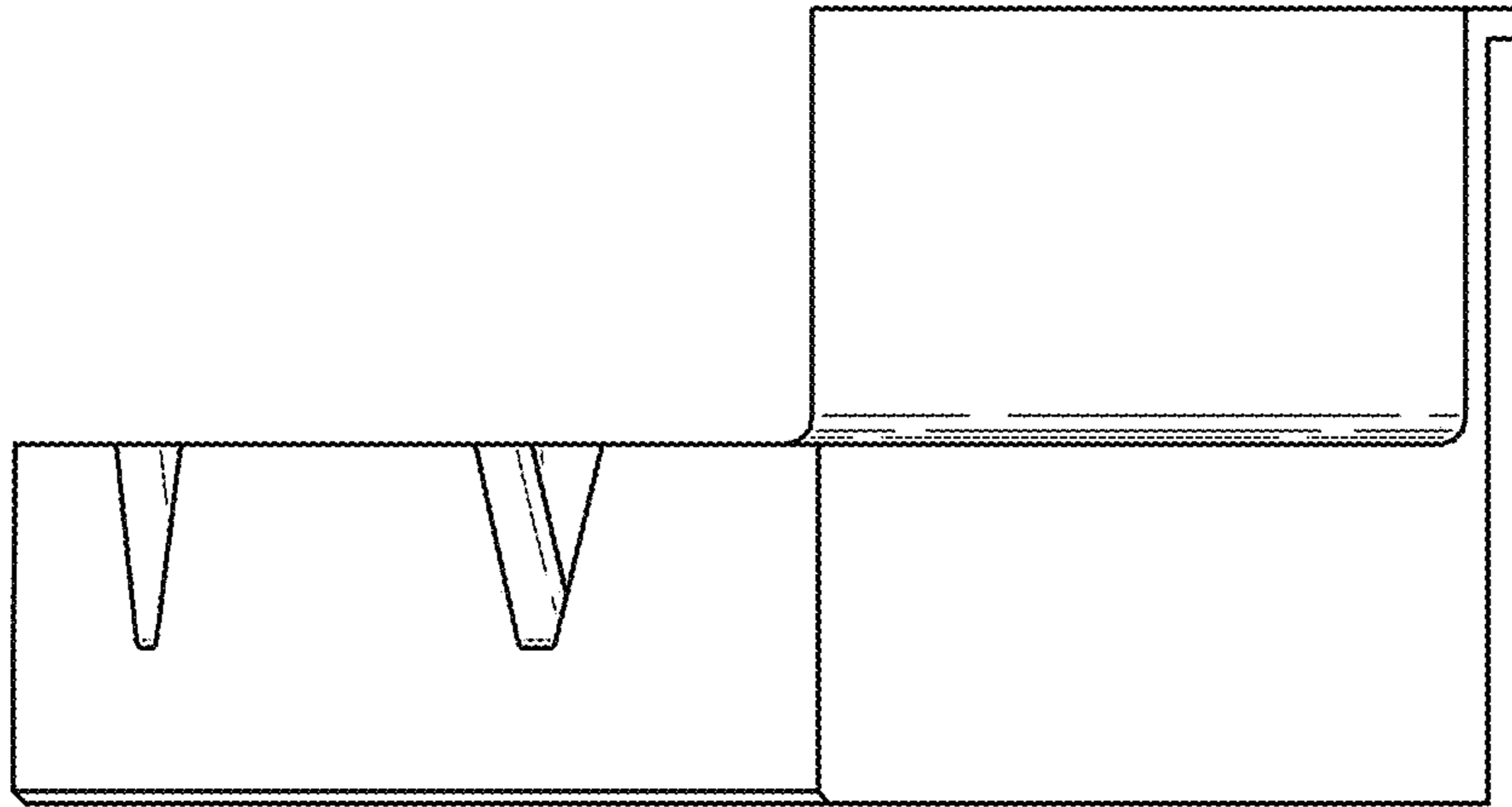


Figure 9

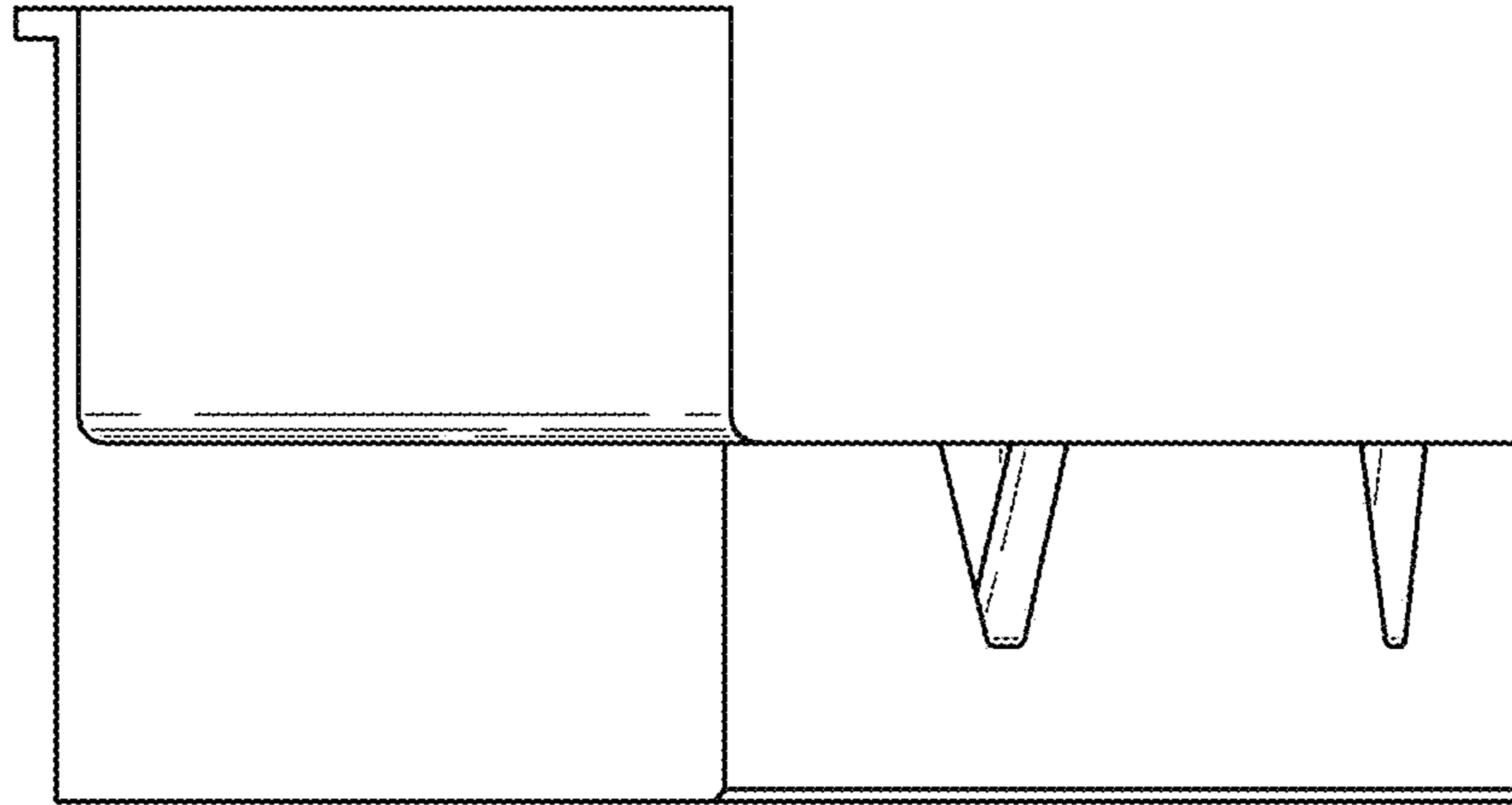


Figure 10

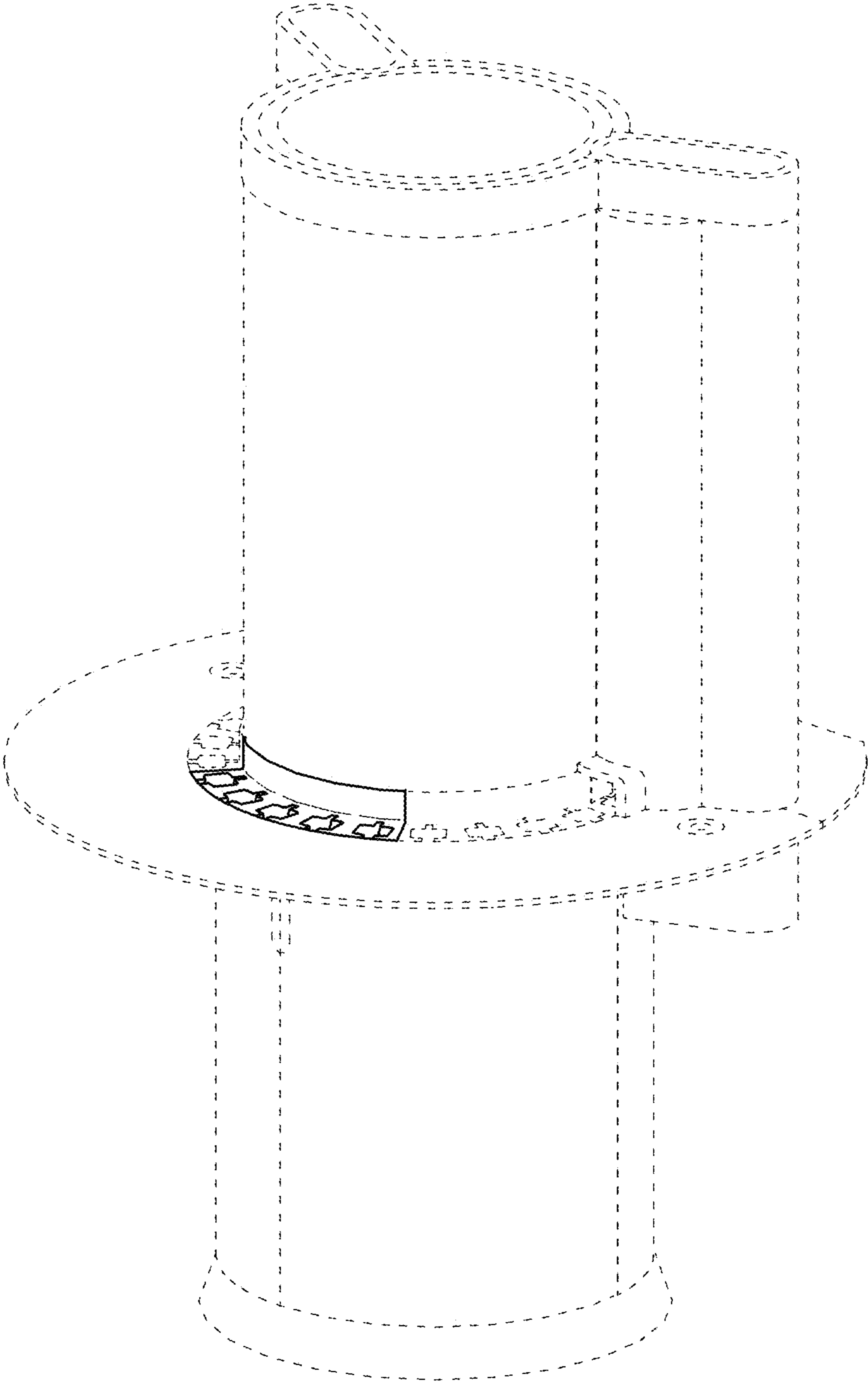


Figure 11