



US00D889632S

(12) **United States Design Patent** (10) **Patent No.:** **US D889,632 S**
Ediger et al. (45) **Date of Patent:** **** Jul. 7, 2020**

(54) **FAN GRATE**
(71) Applicant: **Vornado Air, LLC**, Andover, KS (US)
(72) Inventors: **Glen W. Ediger**, North Newton, KS (US); **Brian Cartwright**, Wichita, KS (US); **Gregory Pease**, Andover, KS (US); **Cooper Phillips**, Wichita, KS (US)

(73) Assignee: **Vornado Air, LLC**, Andover, KS (US)

(*) Notice: This patent is subject to a terminal disclaimer.

(**) Term: **15 Years**

(21) Appl. No.: **29/635,732**

(22) Filed: **Feb. 2, 2018**

(51) **LOC (12) Cl.** **23-03**

(52) **U.S. Cl.**
USPC **D23/412**

(58) **Field of Classification Search**
USPC D23/314, 317, 324, 328, 332-342, 351, D23/352, 354, 355, 356, 359, 362, 364, D23/370-389, 393, 397, 411-414; D8/44, 370; D6/672, 677.2, 677.5; D3/306
CPC F24F 13/078; F24F 7/007; F24F 7/065; F24F 2221/14; F24F 2013/205; F21V 33/0096; F21V 33/0088; F04D 29/626; F04D 29/4226

See application file for complete search history.

(56) **References Cited**

U.S. PATENT DOCUMENTS

D99,029 S * 3/1936 Hueglin D23/378
D101,225 S * 9/1936 Knapp D23/382
D104,064 S * 4/1937 Hamilton D23/382

D104,259 S * 4/1937 Heller D23/382
D104,940 S * 6/1937 Hueglin D23/378
D107,522 S * 12/1937 Kruck D23/382
D108,142 S * 1/1938 Koch D23/382
D109,143 S * 4/1938 Kruck D23/382
D109,663 S * 5/1938 Kruck D23/378
D111,542 S * 9/1938 Janca et al. D23/378
D133,051 S * 7/1942 Kruck D23/382
D150,938 S * 9/1948 Fruit D23/382
2,626,742 A * 1/1953 Turner F04D 29/646
416/120
D395,080 S * 6/1998 Jane D23/381
D439,967 S * 4/2001 Bogazzi D23/382
D487,146 S * 2/2004 Thomas, Jr. D23/382
D493,217 S * 7/2004 Spina D23/377
6,790,009 B1 * 9/2004 Carbajal F04D 29/703
416/247 R
D513,798 S * 1/2006 Andrews D23/382
D554,748 S * 11/2007 Li D23/382
D737,949 S * 9/2015 He D23/382

(Continued)

Primary Examiner — Cathron C Brooks

Assistant Examiner — Sharon S Oum

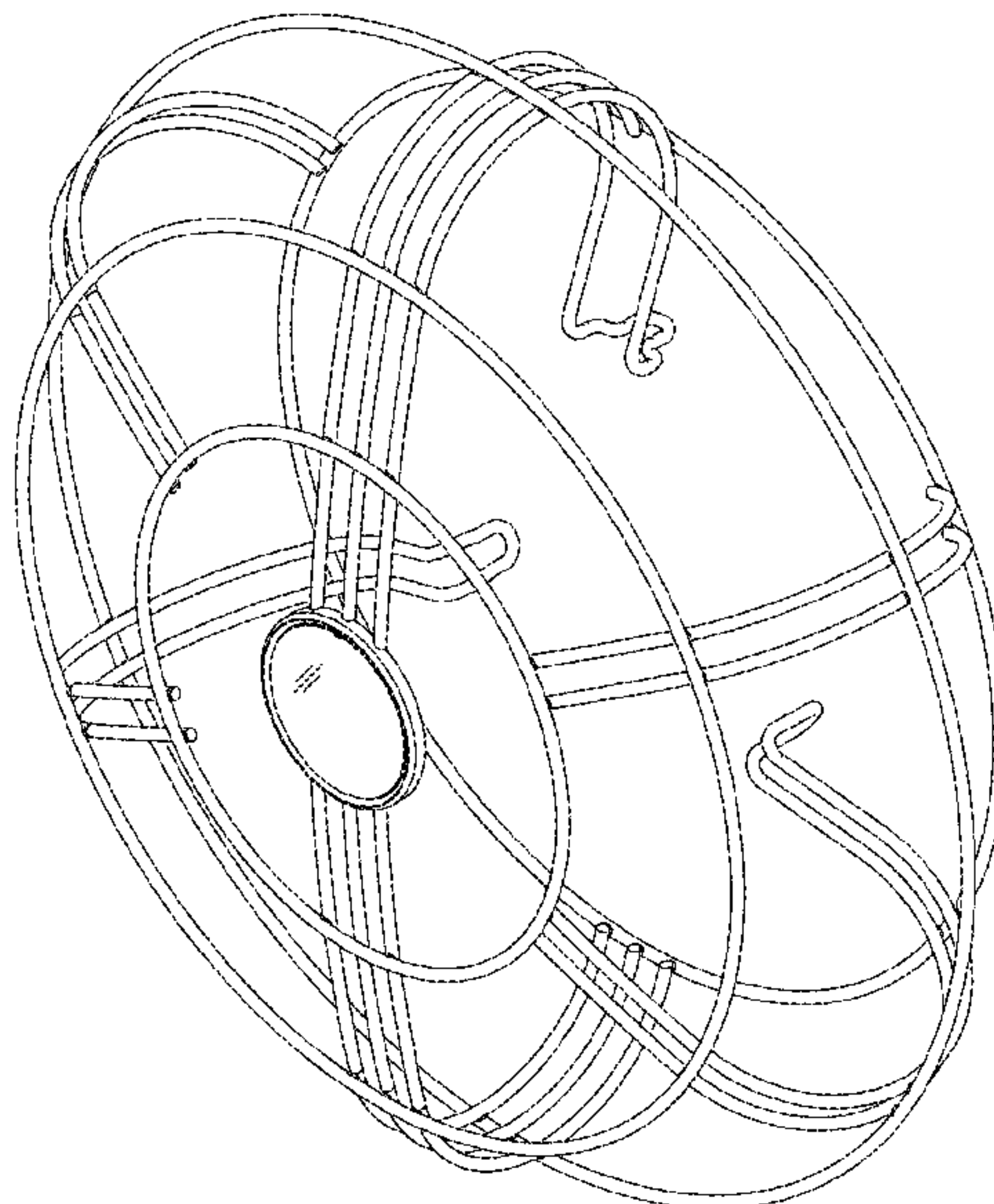
(57) **CLAIM**

An ornamental design for a fan grate, as shown and featured in the accompanying drawings.

DESCRIPTION

FIG. 1 is a left, front, top perspective view of a fan grate in accordance with the present invention;
FIG. 2 is a top view thereof;
FIG. 3 is a bottom view thereof;
FIG. 4 is a front elevation view thereof;
FIG. 5 is a back elevation view thereof;
FIG. 6 is a left elevation view thereof;
FIG. 7 is a right elevation thereof; and,
FIG. 8 is a left, front, top perspective view thereof as used within an example fan.
The broken lines in FIG. 8 illustrate environmental structure of the fan grate and form no part of the claimed design.

1 Claim, 8 Drawing Sheets



(56)

References Cited

U.S. PATENT DOCUMENTS

D737,950 S * 9/2015 He D23/382
D799,664 S * 10/2017 Wang D23/377
2008/0298961 A1* 12/2008 Frampton F04D 25/088
415/213.1

* cited by examiner

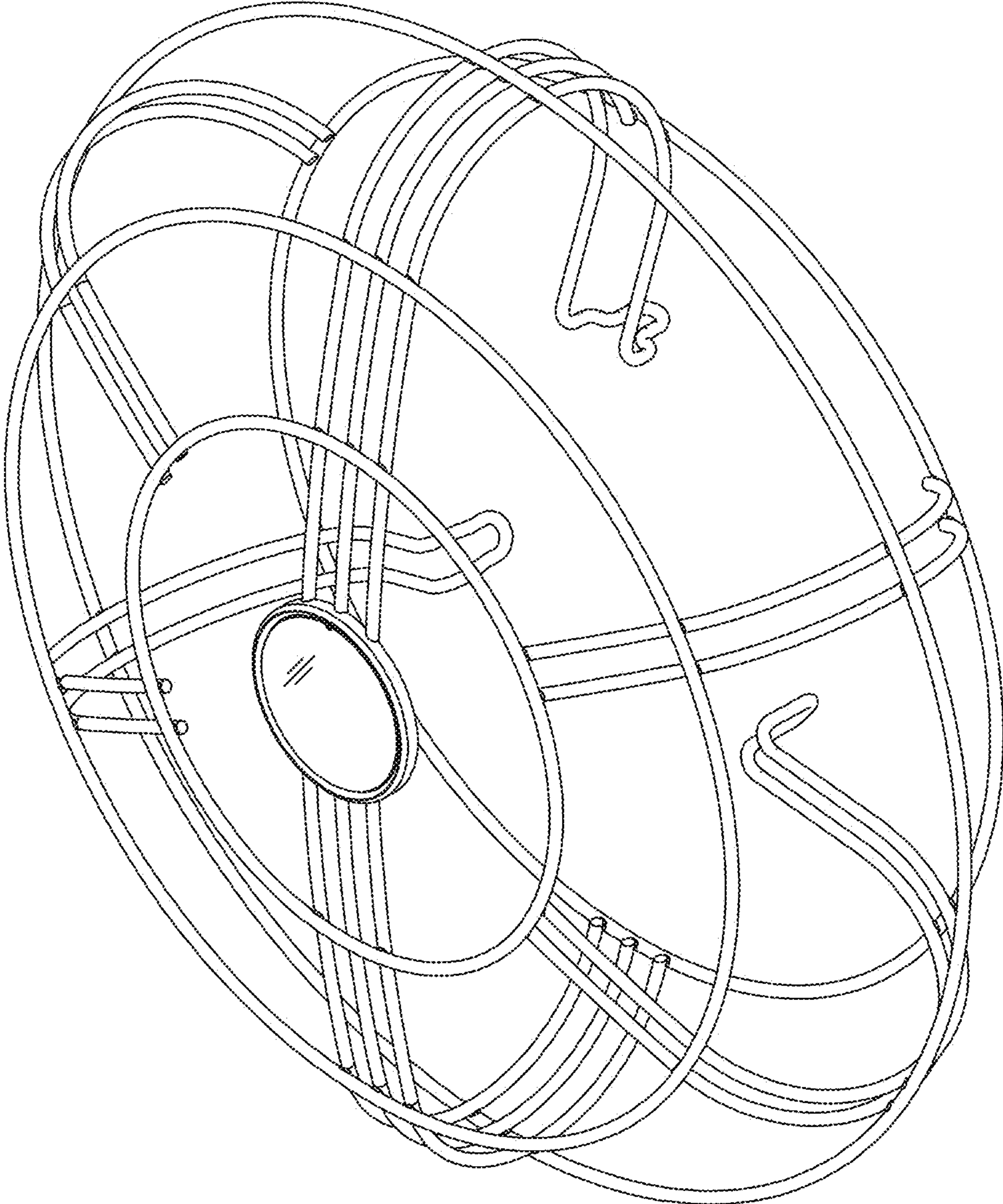


FIG. 1

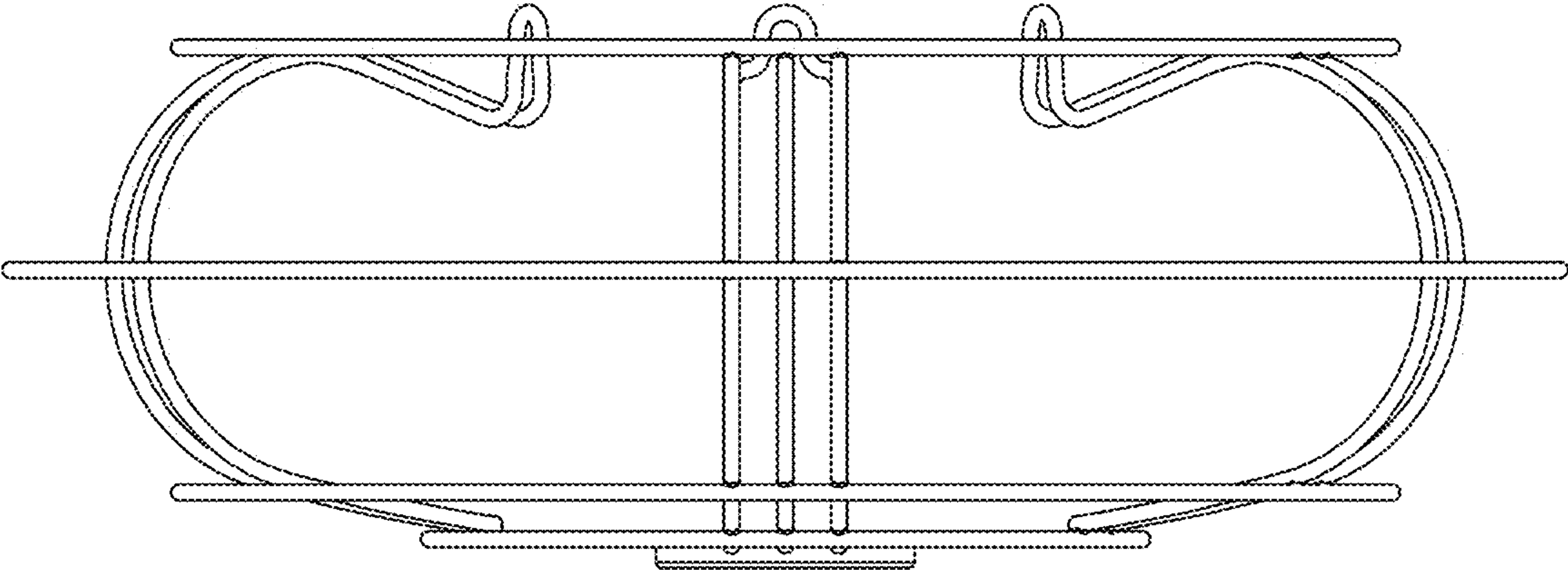


FIG. 2

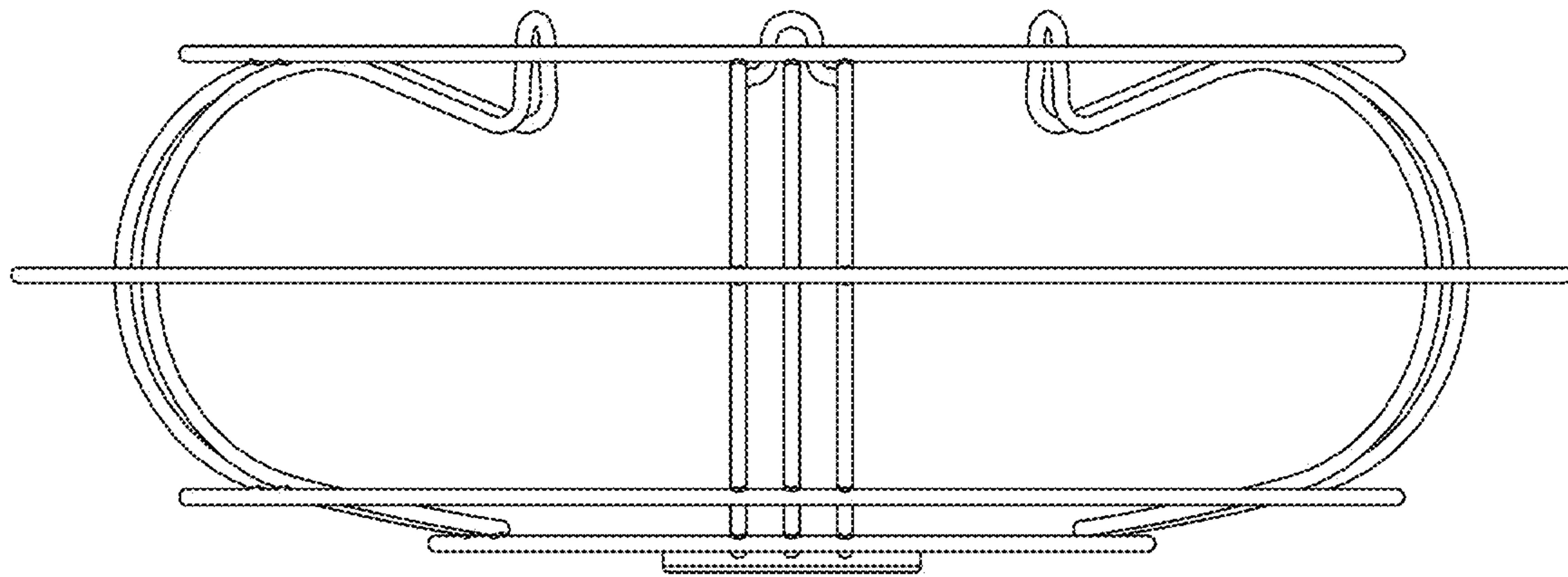


FIG. 3

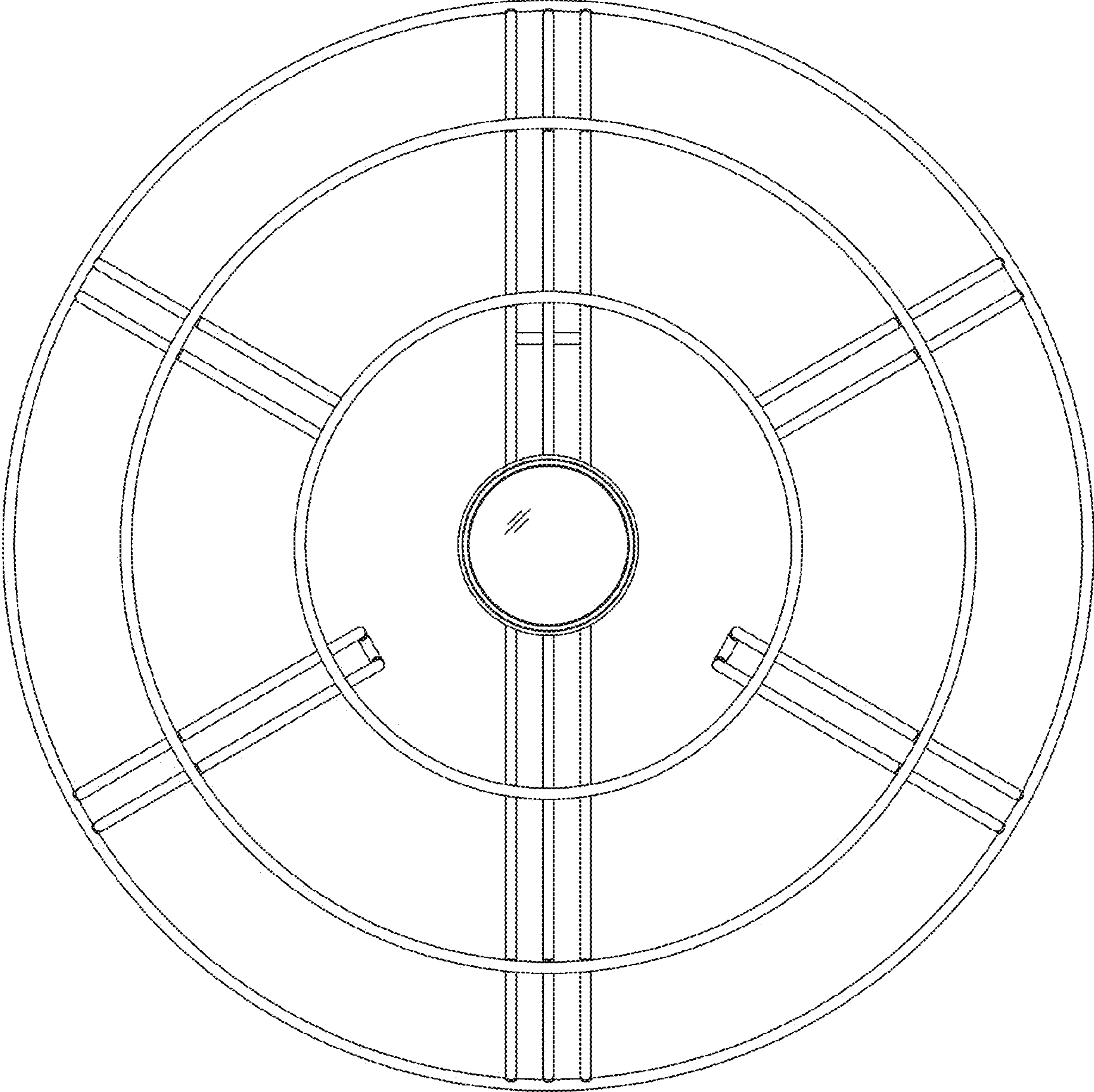


FIG. 4

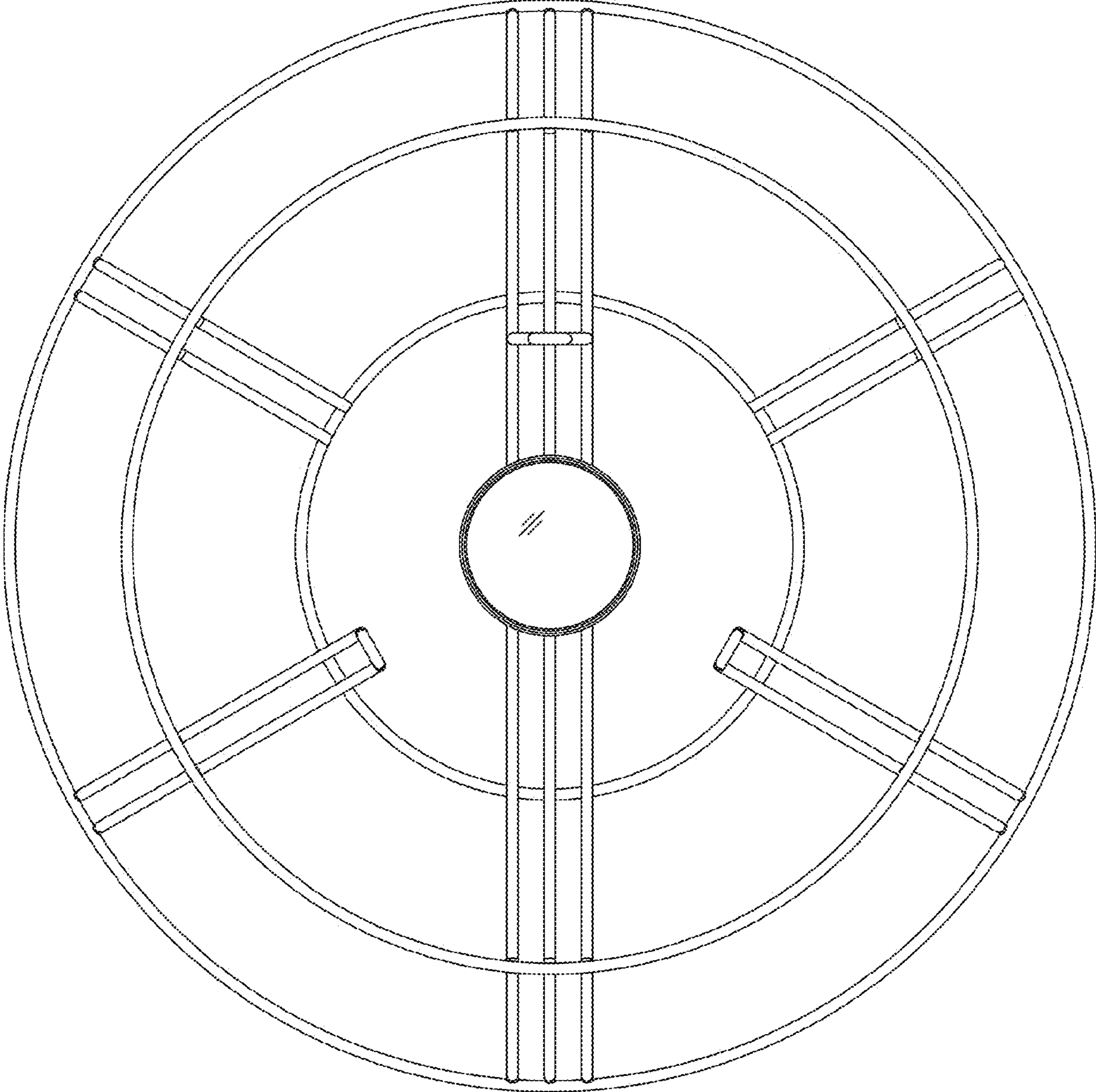


FIG. 5

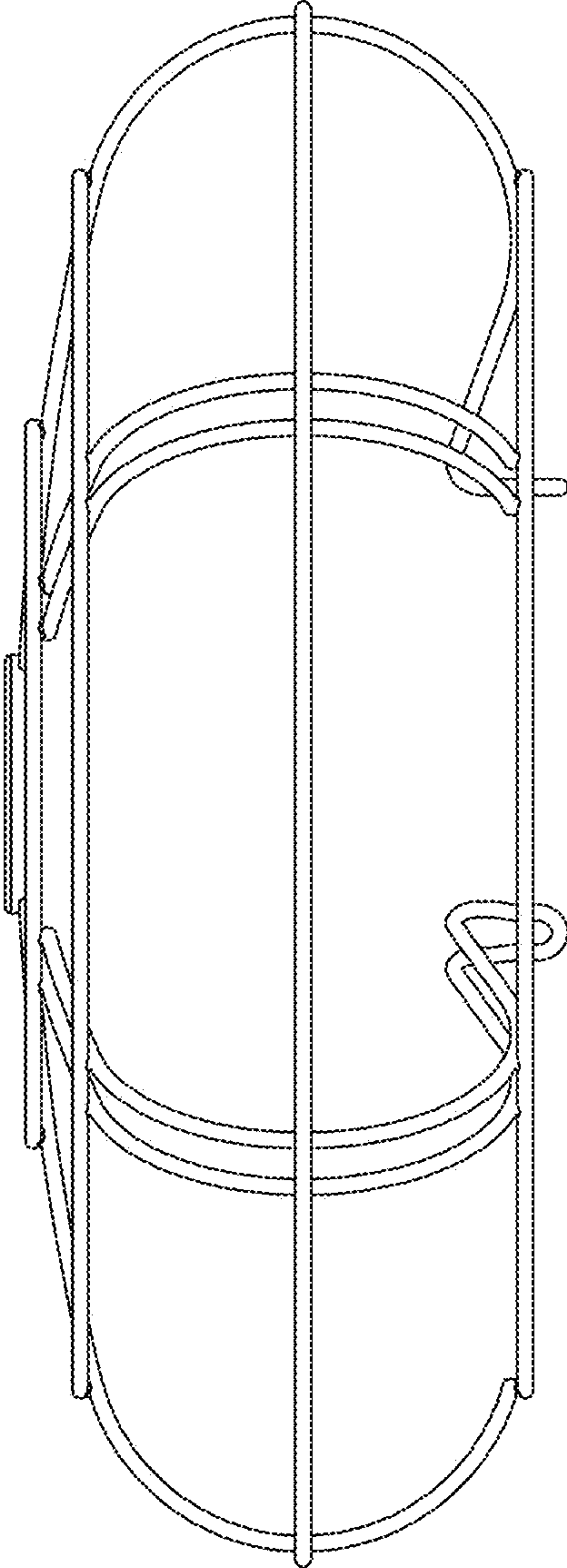


FIG. 6

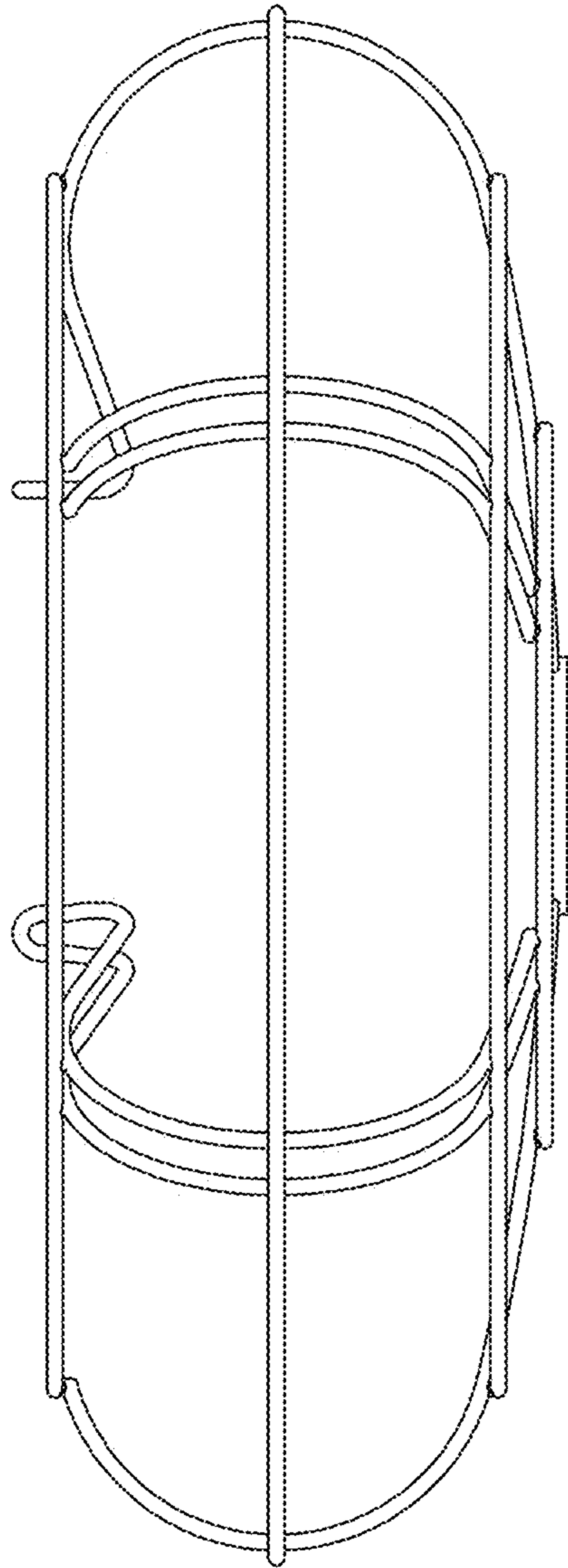


FIG. 7

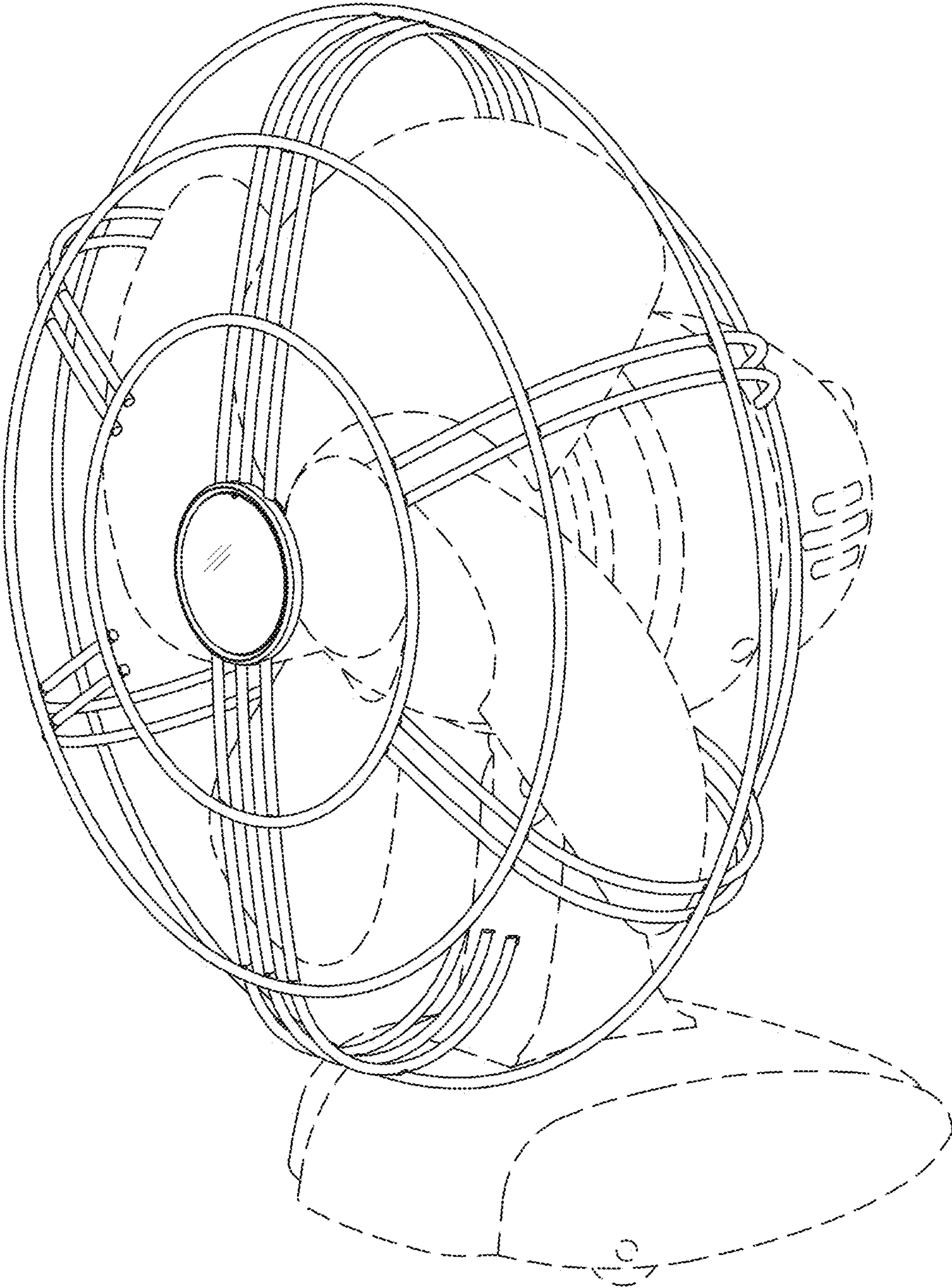


FIG. 8