



US00D889631S

(12) **United States Design Patent**
McRoberts et al.

(10) **Patent No.:** **US D889,631 S**
(45) **Date of Patent:** **** Jul. 7, 2020**

- (54) **CEILING FAN BLADE IRON**
- (71) Applicant: **HUNTER FAN COMPANY**,
Memphis, TN (US)
- (72) Inventors: **Claire Bernice McRoberts**, Memphis,
TN (US); **Christine Holmes**, Memphis,
TN (US)
- (73) Assignee: **Hunter Fan Company**, Memphis, TN
(US)
- (**) Term: **15 Years**
- (21) Appl. No.: **29/694,800**
- (22) Filed: **Jun. 13, 2019**

Related U.S. Application Data

- (62) Division of application No. 29/612,560, filed on Aug.
2, 2017, now Pat. No. Des. 874,633.
- (51) **LOC (12) Cl.** **23-03**
- (52) **U.S. Cl.**
USPC **D23/411**
- (58) **Field of Classification Search**
USPC D23/370-386, 411-414
CPC F04D 25/088; F04D 29/38; F04D 29/384;
F04D 29/386; F21V 33/0096
See application file for complete search history.

References Cited

U.S. PATENT DOCUMENTS

- D202,877 S 11/1965 Morse et al.
- 4,396,352 A * 8/1983 Pearce F04D 29/36
416/206
- D290,748 S * 7/1987 Kawai D23/377
- D298,052 S 10/1988 Sonneman
- D329,894 S 9/1992 Scofield
- D351,020 S 9/1994 Arnold
- D354,804 S 1/1995 Tsuji
- D360,939 S 8/1995 Wang

- D370,973 S 6/1996 Wu
- D382,637 S 8/1997 Lee
- D386,257 S 11/1997 Liu
- D393,902 S 4/1998 Pickett
- D400,671 S 11/1998 Liu
- D404,480 S 1/1999 Liu
- D406,332 S 3/1999 Liu
- D408,515 S 4/1999 Evans

(Continued)

OTHER PUBLICATIONS

<http://www.quoruminternational.com/index.cfm/app/productDetail?product=39525-86>, Quorum International—Metro Oiled Bronzed Ceiling Fan, Product No. 39525-86, accessed Aug. 1, 2017.

(Continued)

Primary Examiner — Cathron C Brooks

Assistant Examiner — Sharon S Oum

(74) *Attorney, Agent, or Firm* — McGarry Bair PC

(57) **CLAIM**

The ornamental design for a ceiling fan blade iron, as shown and described.

DESCRIPTION

FIG. 1 is a bottom perspective view of a ceiling fan blade iron shown in the environment of a ceiling fan, showing my new design;

FIG. 2 is a top perspective view of the ceiling fan blade iron of FIG. 1, with the ceiling fan environment removed;

FIG. 3 is a top view thereof;

FIG. 4 is a bottom view thereof;

FIG. 5 is a left side view thereof;

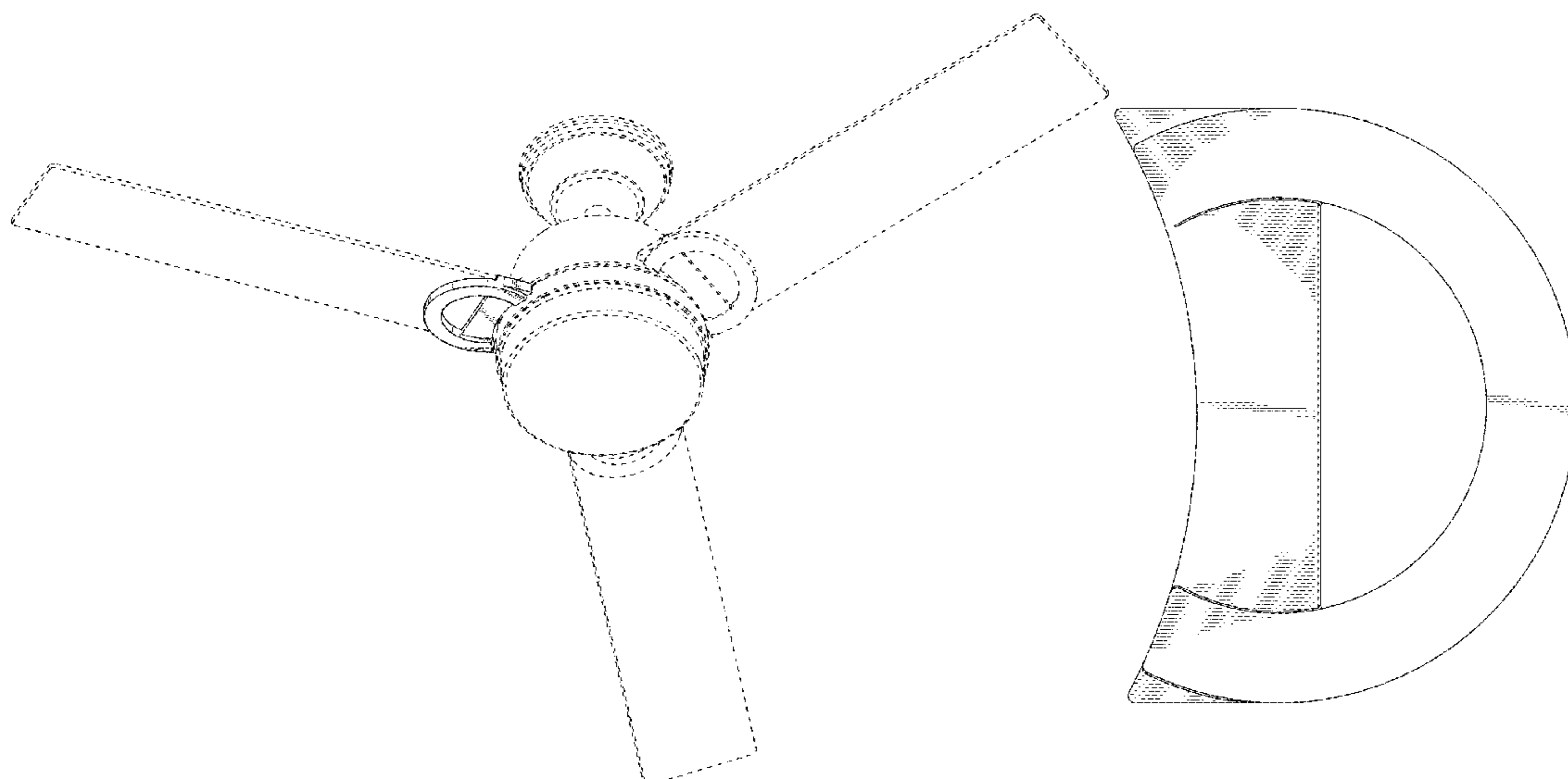
FIG. 6 is a right side view thereof;

FIG. 7 is a rear view thereof; and,

FIG. 8 is a front view thereof.

Portions of the ceiling fan blade iron and ceiling fan environment shown in broken lines form no part of the claimed design.

1 Claim, 8 Drawing Sheets



(56)

References Cited

U.S. PATENT DOCUMENTS

D417,270 S	11/1999	Thomas, Jr.	
D420,124 S	* 2/2000	Johnson	D23/377
D424,187 S	5/2000	Lo	
D427,672 S	7/2000	Lee	
D428,485 S	7/2000	Dolan	
D428,982 S	8/2000	Oldenburg	
D445,887 S	7/2001	Campbell	
D453,563 S	2/2002	Bogazzi	
D464,132 S	10/2002	Campbell	
D480,465 S	* 10/2003	Wilson	D23/377
D486,215 S	2/2004	Hsieh	
D486,220 S	2/2004	Hsieh	
D488,074 S	4/2004	Rousseau	
D545,422 S	6/2007	Glasbrenner	
D559,378 S	1/2008	Frampton et al.	
D568,983 S	5/2008	Pan	
D582,030 S	12/2008	Pickett	
D595,404 S	6/2009	Pan	
D599,469 S	9/2009	Yang	
D614,758 S	4/2010	Shurtleff	
D626,213 S	10/2010	Shurtleff	
D627,874 S	11/2010	Pan	
D628,688 S	12/2010	Pan	
D632,381 S	2/2011	Davenport et al.	
D705,922 S	5/2014	Wang	
D705,923 S	5/2014	Wang	
D706,921 S	* 6/2014	Cohen	D23/411
D707,336 S	6/2014	Pan	
D707,347 S	6/2014	Wang	
D707,348 S	6/2014	Pan	
D744,080 S	11/2015	Wang	
D773,636 S	12/2016	Wang	
D785,848 S	5/2017	Couture	
D795,410 S	8/2017	Holmes	
D796,024 S	8/2017	Holmes	
D805,175 S	12/2017	Haggar	
D805,624 S	12/2017	O'Connell et al.	
D810,915 S	2/2018	Guthrie et al.	
D810,920 S	2/2018	Haggar	
D811,574 S	* 2/2018	McRoberts	D23/377
D817,476 S	* 5/2018	Holmes	D23/411
D825,052 S	8/2018	Guthrie	

OTHER PUBLICATIONS

<http://www.kichlerlightinglights.com/product/kichler-lighting-makoda-indoor-ceiling-fans-300137obb.html>, Kichler 300137OBB, Makoda Oil Brushed Bronze with Walnut Ms-97503 Blades Fan, accessed Aug. 1, 2017.

<http://ceilingfans.emerson.com/shop/en/fan/fans-s-emerson-fans/fans-s-contemporary/southtowne-fan-p-cf4900>, Emerson Southtowne, SKU No. CF4900BS, Brushed Steel Housing, Dark Mahogany/Walnut Dual Finish Blades, Opal Matte Glass, accessed Aug. 1, 2017.

<http://www.homedepot.com/p/Westinghouse-Arcadia-46-in-Brushed-Nickel-Indoor-Ceiling-Fan-7877500/202755008>, Westinghouse Arcadia, 46 in. Brushed Nickel Indoor Ceiling Fan, Model No. 7877500, accessed Aug. 1, 2017.

<http://www.menards.com/main/p-1444433634948-c-7488.htm?tid=-3080089329636579030>, Hunter Fan, Morelli 52 in. Brushed Nickel Ceiling Fan, Model No. 59141, accessed Aug. 1, 2017.

<http://www.hunterfan.com/Ceiling-Fans/Eurus?ModelNumber=59054>, Hunter Fan, Eurus 54 in. Ceiling Fan, Brushed Nickel Finish, accessed Aug. 1, 2017.

<https://www.amazon.com/Craftmade-DA30SS3-Stainless-Steel-Ceiling/dp/B0079QS0BO>, Craftmade, Dane Stainless Steel 30 in. Ceiling Fan with Light, DA30SS3, accessed Aug. 1, 2017.

<http://ceilingfans.emerson.com/shop/en/fan/fans-s-emerson-fans/fans-s-contemporary/luxe-eco-fan-p-cf550>, Emerson, Luxe Eco, Brushed

Steel Housing, Dark Mahogany Finish Blade, Opal Matte Glass, SKU No. CF550DMBS, accessed Aug. 1, 2017.

<http://www.homedepot.com/p/Hampton-Bay-Stylique-II-52-in-Brushed-Nickel-Ceiling-Fan-AL979-BN/203786411>, Hampton Bay, Stylique II 56 in. Brushed Nickel Ceiling Fan, Model No. AL979-BN, accessed Aug. 1, 2017.

<http://www.kingoffans.com/#/products/ceilingFans%0D>, King of Fans, Blackstone Oil Rubbed Bronze, Amber Etched Glass, Model No. 70222, accessed Aug. 1, 2017.

<http://www.kingoffans.com/#/products/ceilingFans>, King of Fans, Fulton Brushed Nickel, 5-MDF Blades, Opal Frosted Glass, Model No. 23500, accessed Aug. 1, 2017.

<http://www.kingoffans.com/#/products/ceilingFans>, King of Fans, Sabitini Bronze, Plywood blades, Opal Frosted Glass, Model No. 70212, accessed Aug. 1, 2017.

<http://www.hunterfan.com/Ceiling-Fans/Other?ModelNumber=59223>, Hunter Fan, Juliet 52 in. Ceiling Fan, Matte Black Finish, Model No. 59223, accessed Jul. 13, 2017.

<http://www.hunterfan.com/Ceiling-Fans/Leoni?ModelNumber=59220>, Hunter Fan, Leoni 48" Ceiling Fan, Noble Bronze and Modern Brass Finish, Model No. 59220, accessed Jul. 13, 2017.

<http://www.minkagroup.net/products/f753l-pn>, Minka Group, Java 54" 3-blades Ceiling Fan in Polished Nickel Finish with Silver Blades w/Etched Opal Glass, Model No. F753L-PN, accessed Jul. 13, 2017.

<http://ceilingfans.emerson.com/shop/en/fan/fans-s-emerson-fans/fans-s-contemporary/44-curve-fan-p-cf244>, Emerson, Curva 44" Brushed Steel Housing, Brushed Steel Finish Blade, Opal Matte Glass, SKU No. CF244BS, accessed Jul. 13, 2017.

<http://www.fanimation.com/products/index.php/fans/xeno.html>, Fanimation Ceiling Fans, Xeno 56", Model No. FP6728 in Dark Bronze or Brushed Nickel, accessed Jul. 13, 2017.

<http://www.kichler.com/products/product/54-inch-sola-fan-ni-330152ni.aspx>, Kichler Sola Collection, 54 Inch Sola Fan NI, Brushed Nickel, Model No. 330152NI, accessed Jul. 13, 2017.

<http://www.kichler.com/products/product/48-inch-celino-led-fan-obb-300304obb.aspx>, Kichler Celino Collection, 48 Inch Celino LED Fan, Oil Brushed Bronze, Model No. 300304OBB, accessed Jul. 13, 2017.

<http://www.montecarlofans.com/53863/64-Avvo-Max-Quicksilver-3AVMR64QSD.html>, Monte Carlo, Avvo Max Collection, 64" Avvo Max, Quicksilver finish, Product No. 3AVMR64QSD, accessed Jul. 13, 2017.

<http://www.montecarlofans.com/53840/60-Owen---Matte-White-3OWR60RZWD.html>, Monte Carlo, Owen Collection, 60" Owen—Matte White, Product No. 3OWR60RZWD, accessed Jul. 13, 2017.

<http://www.homedepot.com/p/GE-Morgan-54-in-LED-Indoor-Outdoor-Bronze-Ceiling-Fan-with-SkyPlug-Technology-20680/207197394>, GE Morgan 54 in. LED Indoor/Outdoor Bronze Ceiling Fan with SkyPlug Technology, Model No. 20680, accessed Jul. 13, 2017.

<http://www.casablancafanco.com/Ceiling-Fans?PageNumber=7>, Casablanca Fan—Other Fan, 44" Ceiling Fan, accessed Jul. 13, 2017.

<http://www.hunterfan.com/Search?SearchTerm=Carillon&PageNumber=1>, Hunter Fans, Carillon—48" Ceiling Fan, Model No. 59363, accessed Jul. 13, 2017.

<http://www.craftmade.com/pro-universal-hugger-puh52ob>, Craftmade, Pro Universal Hugger, 52" Ceiling Fan, Blades sold separately, Product No. PUH52OB, accessed Jul. 13, 2017.

<http://www.craftmade.com/wyman-wc42-c1>, Craftmade, Wyman, 42" Ceiling Fan with Blades included, Model No. WC42-C1, accessed Jul. 13, 2017.

<http://www.homedepot.com/p/Hampton-Bay-San-Marino-36-in-Brushed-Steel-Ceiling-Fan-68353/100077547>, Hampton Bay San Marino 36 in. Brushed Steel Ceiling Fan, Model No. 68353, accessed Jul. 13, 2017.

<http://www.homedepot.com/p/Hampton-Bay-Maris-44-in-Indoor-Brushed-Nickel-Ceiling-Fan-26618/202670085?keyword=Maris+ceiling+fan>, Hampton Bay, Maris 44 in. Indoor Brushed Nickel Ceiling Fan, Model No. 26618, accessed Aug. 1, 2017.

* cited by examiner

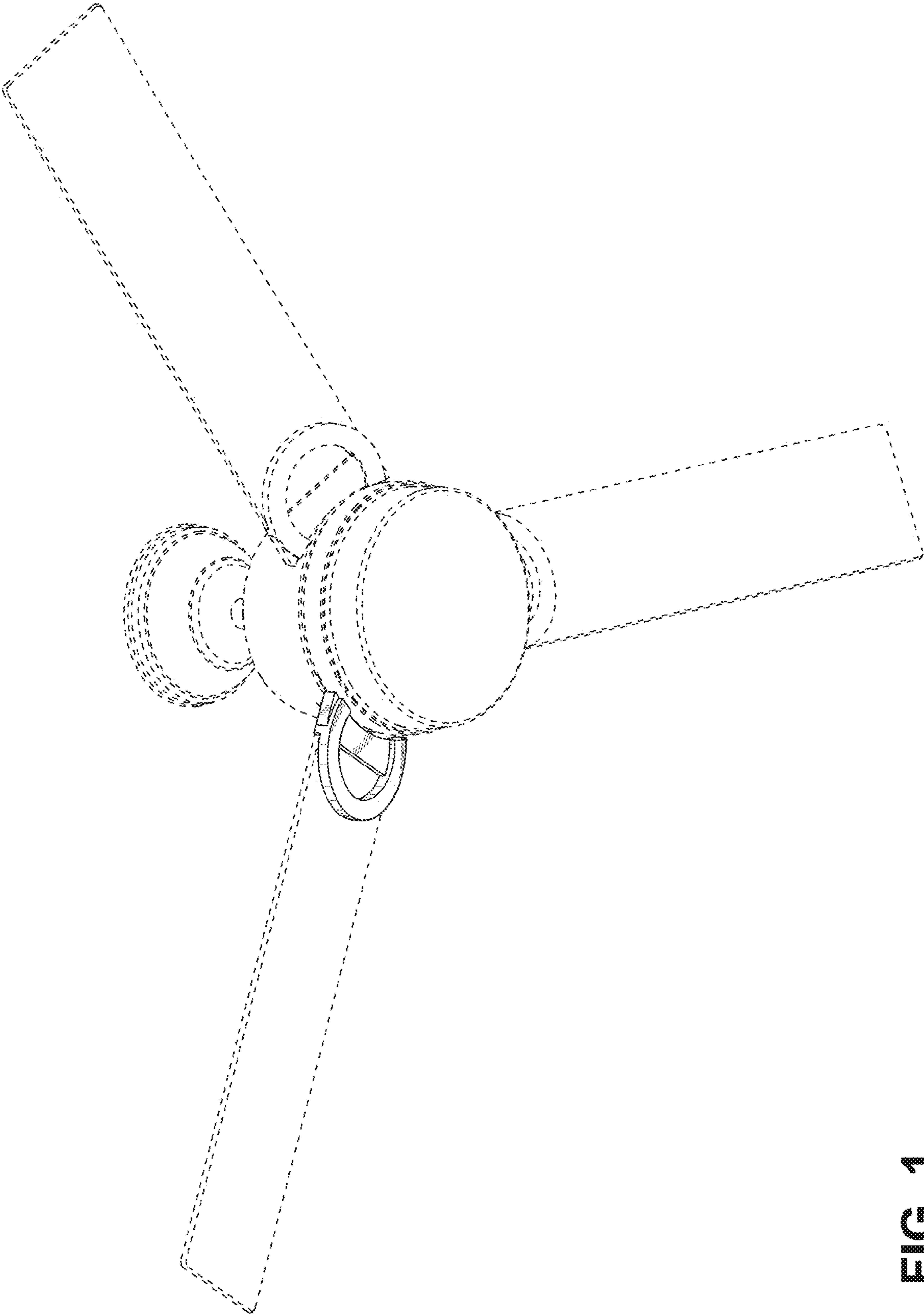


FIG. 1

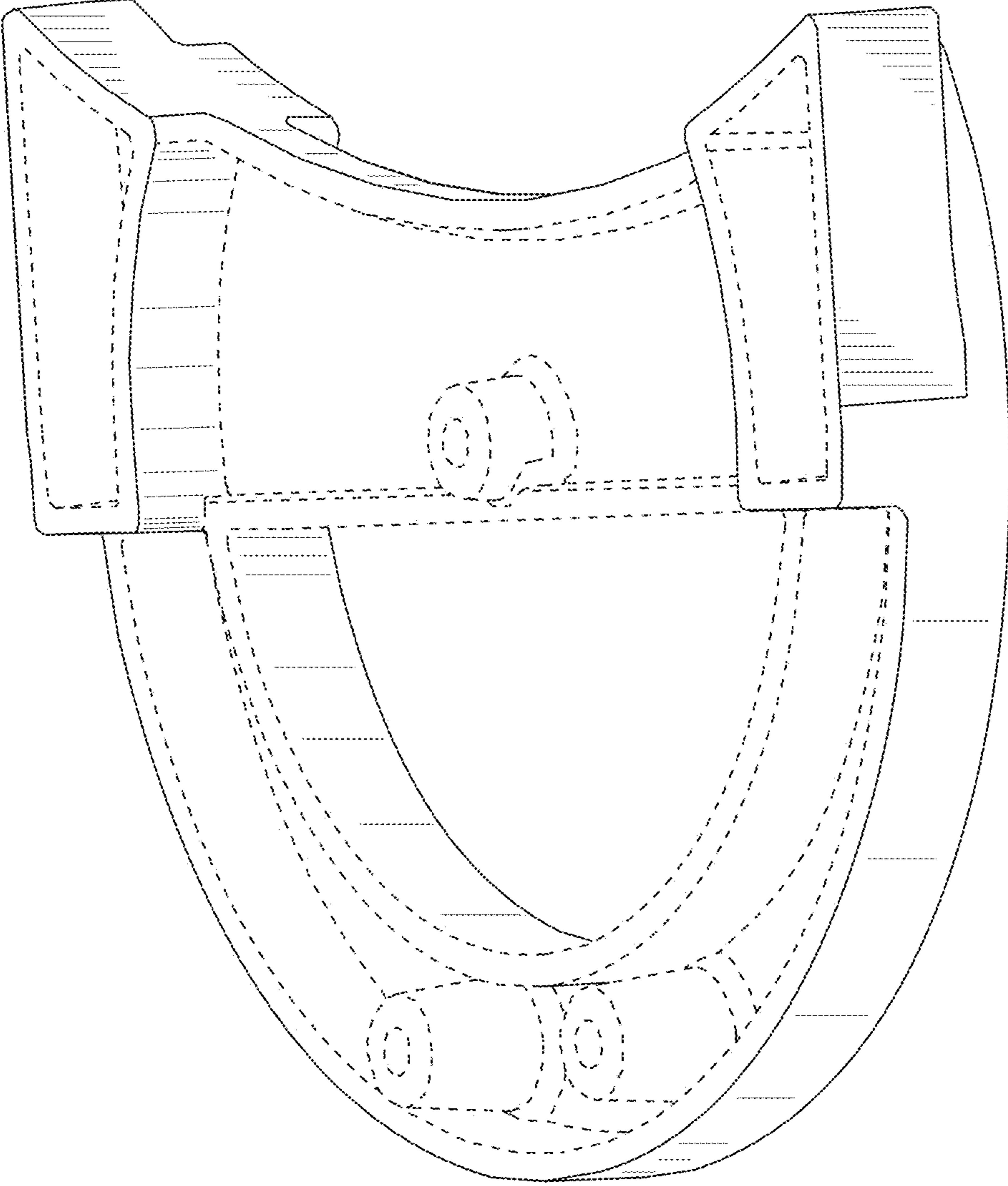


FIG. 2

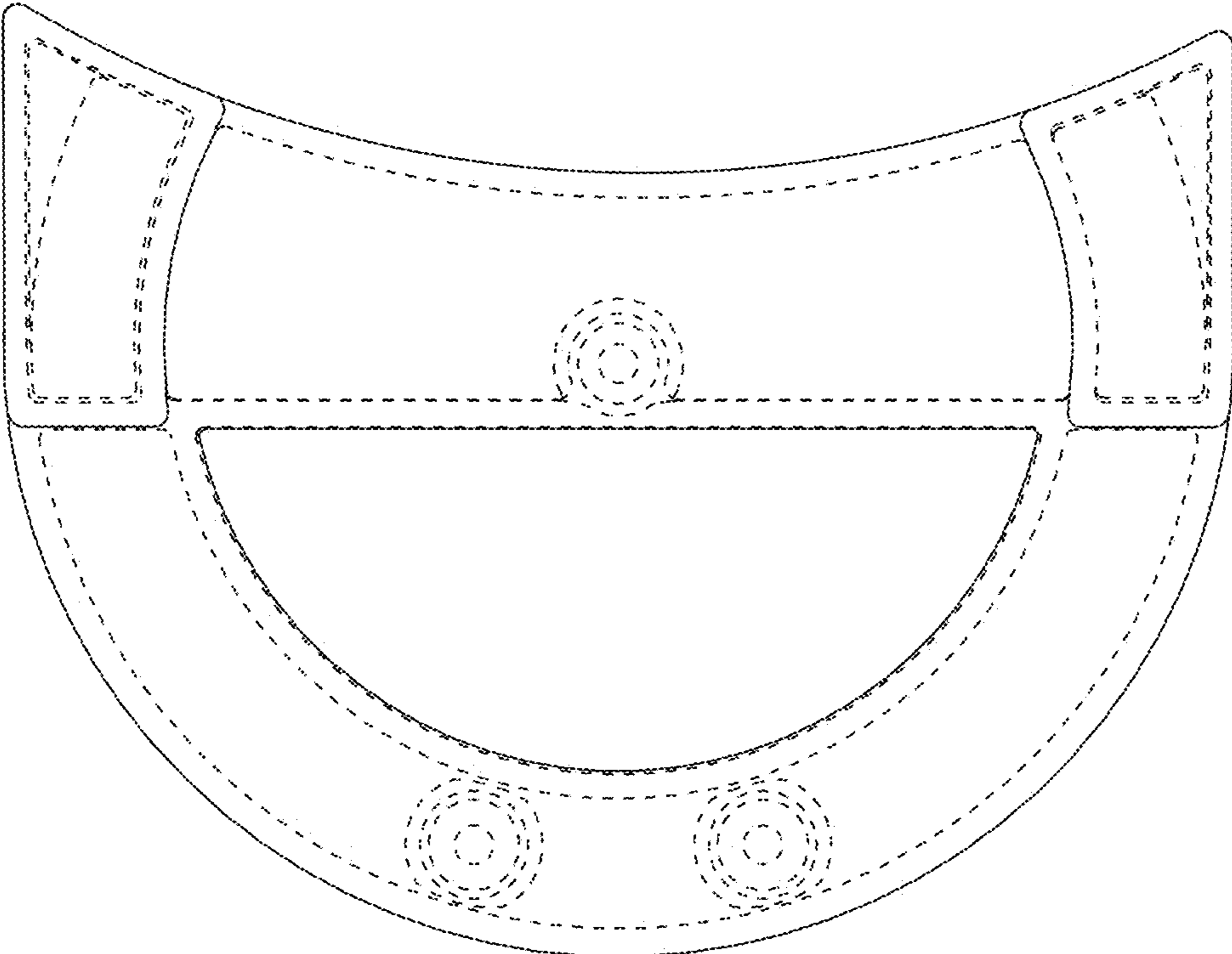


FIG. 3

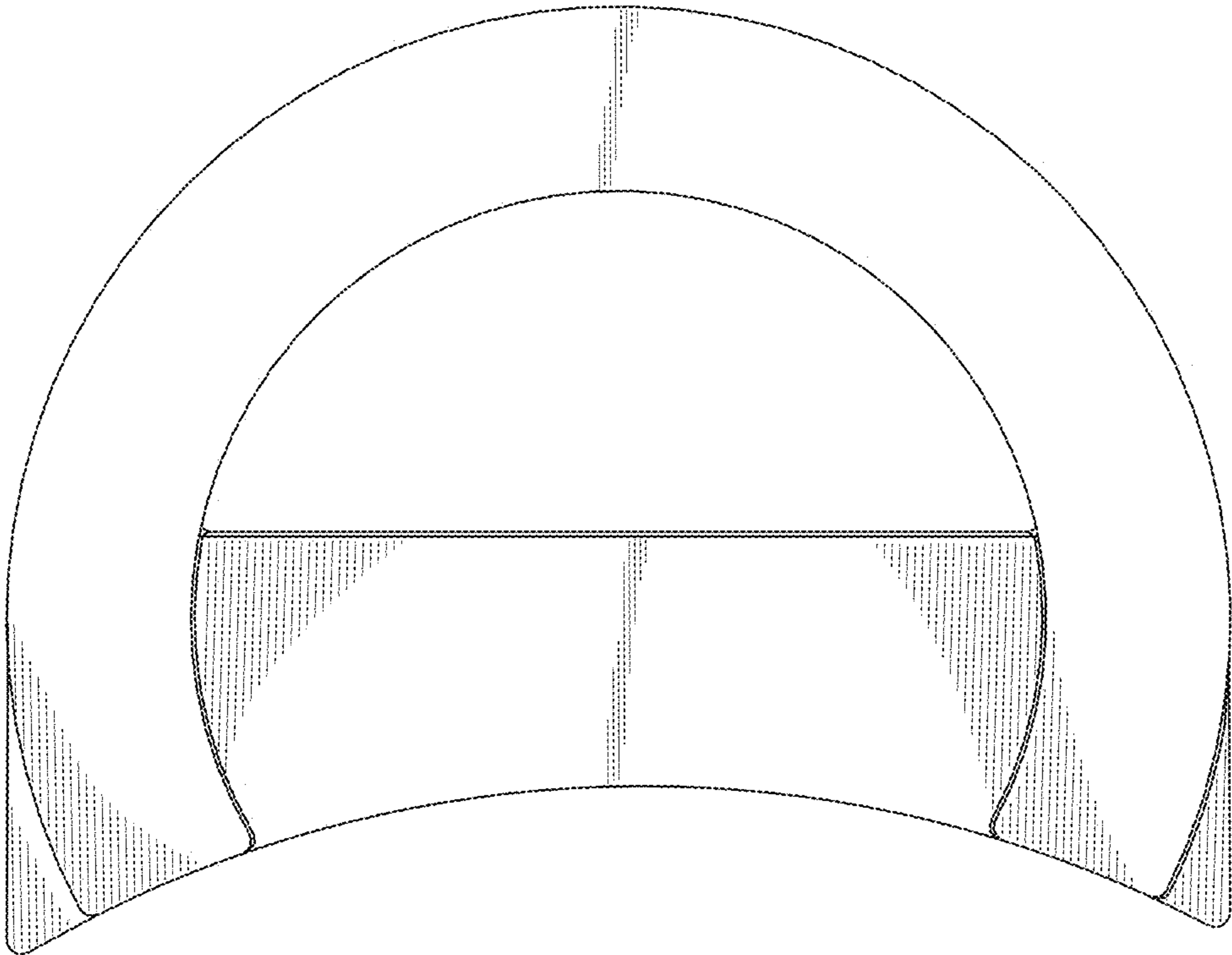


FIG. 4

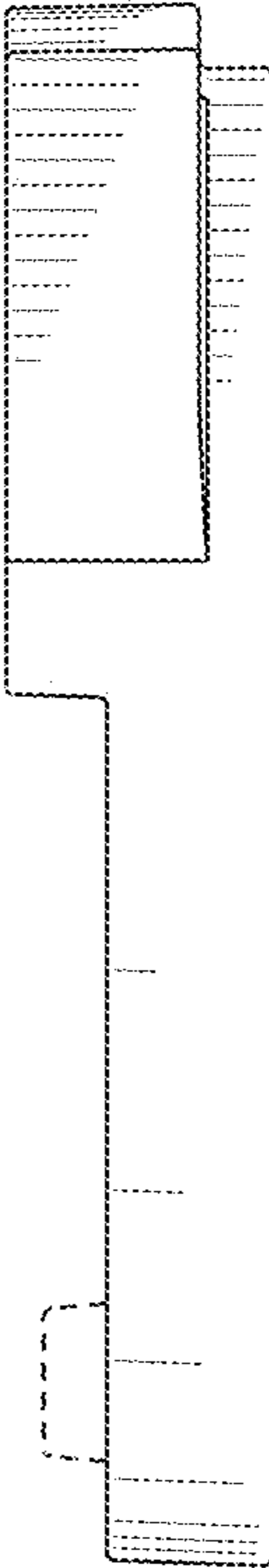


FIG. 5

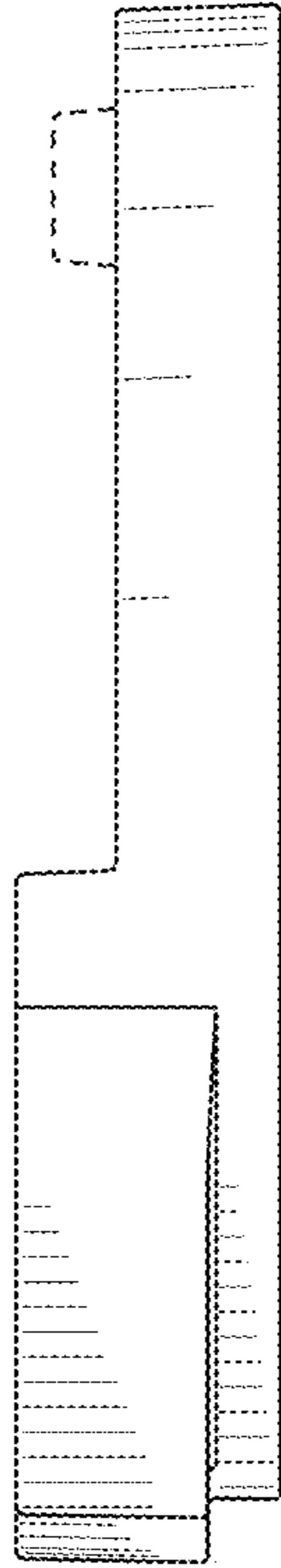


FIG. 6

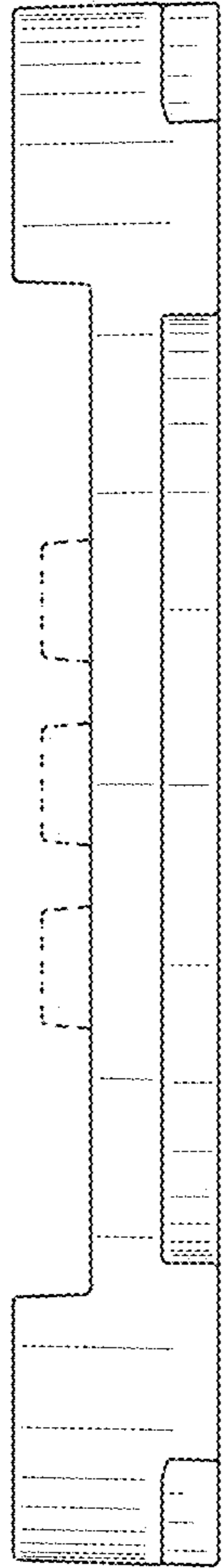


FIG. 7

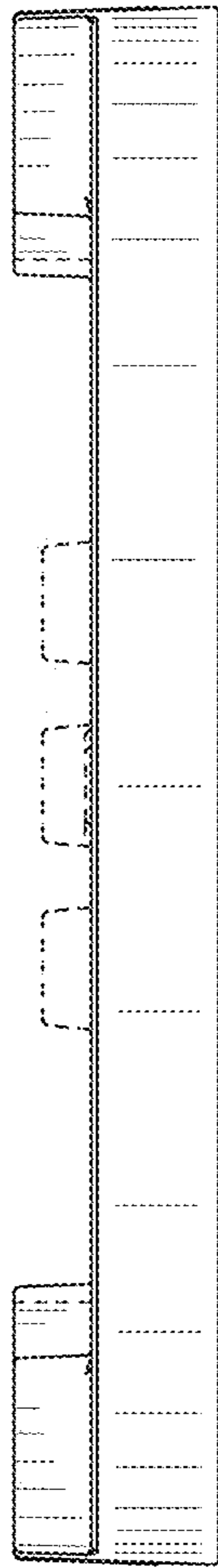


FIG. 8