



US00D889630S

(12) **United States Design Patent**  
**Becker et al.**

(10) **Patent No.:** **US D889,630 S**  
(45) **Date of Patent:** **\*\* Jul. 7, 2020**

(54) **FAN**  
(71) Applicant: **Dometic Sweden AB**, Solna (SE)  
(72) Inventors: **Kent A. Becker**, Huntertown, IN (US);  
**Samuele Meda**, Solna (SE); **Mikael Thelin**, Huddinge (SE)

D323,718 S 2/1992 Layne  
5,273,062 A 12/1993 Mozdzanowski  
D360,417 S 7/1995 Mark  
D361,828 S \* 8/1995 Chen ..... D23/332  
D372,918 S 8/1996 Manganese et al.  
5,855,485 A 1/1999 Patti  
6,017,188 A 1/2000 Benton  
(Continued)

(73) Assignee: **Dometic Sweden AB**, Solna (SE)

**FOREIGN PATENT DOCUMENTS**

(\*\*) Term: **15 Years**

AU 366561 1/2016  
AU 366562 1/2016

(21) Appl. No.: **29/626,921**

(Continued)

(22) Filed: **Nov. 21, 2017**

**OTHER PUBLICATIONS**

(51) **LOC (12) Cl.** ..... **23-03**

Dometic; 2016 Product Catalog, PowerChannel Accessories (p. 35) and Endless Breeze (p. 91), Nov. 18, 2015.

(52) **U.S. Cl.**

USPC ..... **D23/411; D23/377**

(Continued)

(58) **Field of Classification Search**

USPC ..... D23/370-385, 411-414, 314, 317, 324,  
D23/328, 332-337, 342, 351, 352, 355,  
D23/356, 359, 362, 364, 366

CPC .... F04D 25/0673; F04D 29/38; F04D 29/005;  
F04D 29/601

See application file for complete search history.

*Primary Examiner* — Cathron C Brooks

*Assistant Examiner* — Sharon S Oum

(74) *Attorney, Agent, or Firm* — Middleton Reutlinger

(56) **References Cited**

(57) **CLAIM**

The ornamental design for a fan, as shown and described.

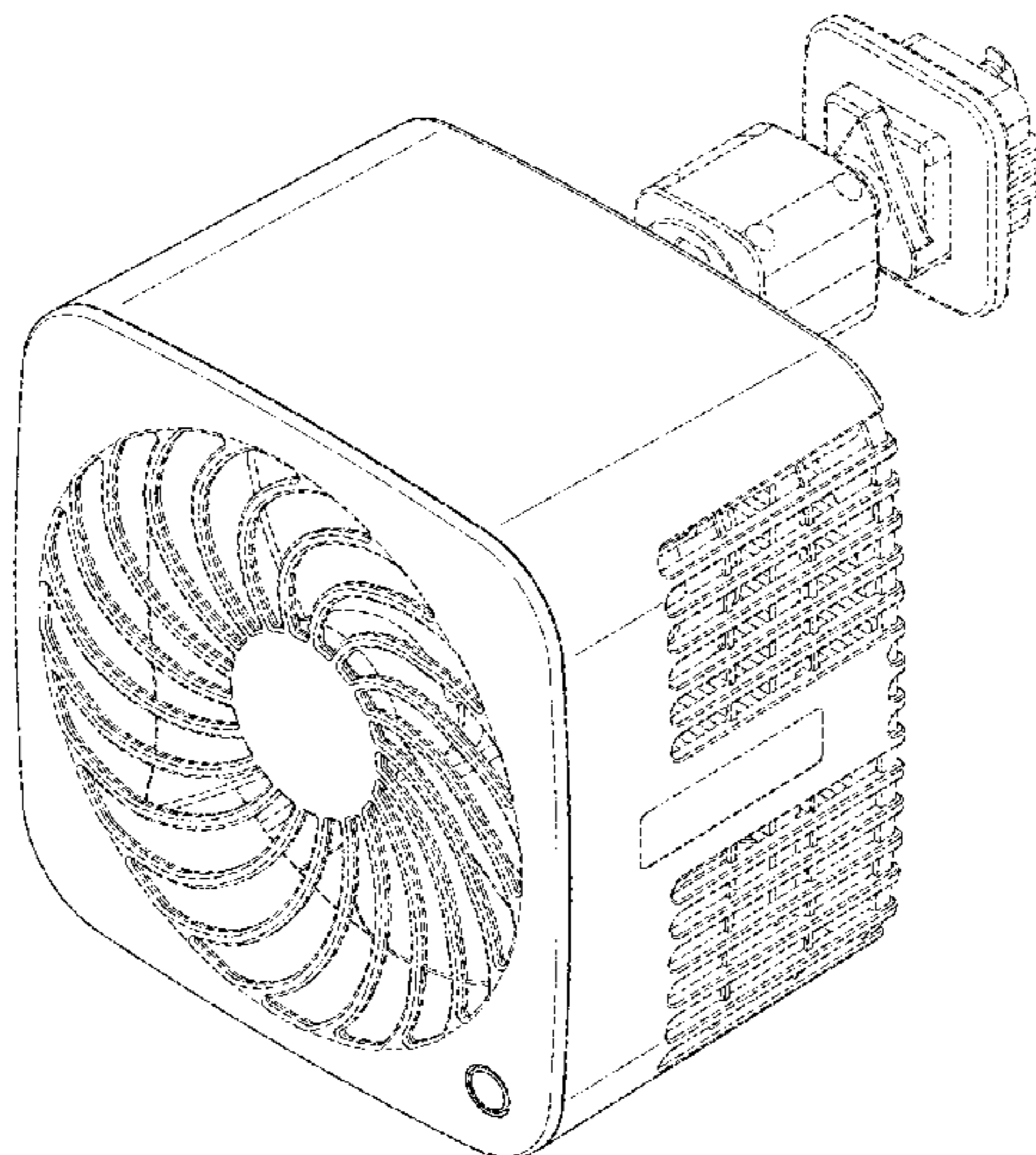
**U.S. PATENT DOCUMENTS**

**DESCRIPTION**

4,032,208 A 6/1977 Berkenhoff  
D247,171 S 2/1978 Berkenhoff  
D275,748 S 10/1984 Humphreys  
D282,101 S \* 1/1986 Yuen ..... D23/328  
4,676,567 A 6/1987 Mouchi  
D291,350 S \* 8/1987 Sherman ..... D23/335  
D291,605 S 8/1987 Roos  
D291,929 S 9/1987 Kusmer  
4,915,670 A 4/1990 Nesbit  
4,936,594 A 6/1990 Oliver, III  
D313,842 S \* 1/1991 Fan ..... D23/335  
D315,418 S 3/1991 Layne  
D315,419 S 3/1991 Layne  
D318,740 S 7/1991 Layne

FIG. 1 is an upper perspective view of a fan design;  
FIG. 2 is a top view of the fan design of FIG. 1;  
FIG. 3 is a bottom view of the fan design of FIG. 1;  
FIG. 4 is a first side view of the fan design of FIG. 1;  
FIG. 5 is a second side view of the fan design of FIG. 1;  
FIG. 6 is a front view of the fan design of FIG. 1;  
FIG. 7 is a rear view of the fan of FIG. 1; and,  
FIG. 8 is a lower perspective view of the fan of FIG. 1.  
The broken line disclosure represents unclaimed portions of the fan in which the design is embodied.

**1 Claim, 8 Drawing Sheets**



(56)

References Cited

U.S. PATENT DOCUMENTS

D424,017 S 5/2000 Lin  
 6,056,561 A 5/2000 Lin  
 6,203,339 B1 3/2001 Nieminen  
 D442,309 S 5/2001 Miller et al.  
 D444,252 S 6/2001 Miller et al.  
 6,439,249 B1 8/2002 Pan et al.  
 6,439,749 B1 8/2002 Miller et al.  
 D465,046 S 10/2002 Layne et al.  
 D472,999 S 4/2003 Layne et al.  
 6,585,529 B2 7/2003 Zakerzewski  
 6,612,875 B1 9/2003 Liao  
 D493,138 S 7/2004 Jiang  
 6,764,133 B2 7/2004 Osato  
 D503,396 S 3/2005 Hisatsune  
 6,884,095 B1 4/2005 Tsai  
 D545,950 S \* 7/2007 Ching ..... D23/335  
 D556,367 S 11/2007 Lehman et al.  
 D561,168 S \* 2/2008 Song ..... D14/188  
 D569,544 S 5/2008 Aubrey  
 D576,345 S 9/2008 Aubrey  
 D576,486 S \* 9/2008 Koza ..... D9/432  
 7,520,763 B1 4/2009 Buse  
 D594,822 S 6/2009 Layne et al.  
 D596,196 S 7/2009 Laituri et al.  
 D616,080 S \* 5/2010 Ching ..... D23/332  
 D618,252 S 6/2010 Bradford et al.  
 7,762,765 B2 7/2010 Milks  
 7,778,624 B2 8/2010 Li  
 D633,608 S \* 3/2011 Shapiro ..... D23/314  
 3,061,374 A1 11/2011 Li  
 D671,426 S 11/2012 Pickens et al.  
 3,393,341 A1 3/2013 Li  
 D679,258 S 4/2013 Moore et al.  
 3,453,659 A1 6/2013 Li  
 D698,058 S 1/2014 Rashidi  
 D698,475 S \* 1/2014 Korpi ..... D26/63  
 8,755,305 B2 6/2014 Altekari et al.  
 D708,131 S 7/2014 Miller et al.  
 D713,334 S 9/2014 Mao  
 D713,595 S 9/2014 Lechtenberg et al.  
 D718,736 S 12/2014 Thompson et al.  
 8,899,999 B2 12/2014 Mackiewicz  
 D721,738 S 1/2015 Hochman et al.  
 D733,273 S \* 6/2015 Jeon ..... D23/333  
 D734,720 S 7/2015 Alesi et al.  
 D749,541 S 2/2016 Wong  
 D754,109 S \* 4/2016 Kelly ..... D14/240  
 D761,199 S 7/2016 Hong et al.  
 D761,471 S 7/2016 Hoffmann et al.  
 D763,818 S 8/2016 Yang  
 D769,184 S 10/2016 Esses  
 D769,188 S 10/2016 Miller et al.  
 D769,431 S \* 10/2016 Lopez ..... D23/324  
 D773,720 S 12/2016 Lin  
 D774,174 S \* 12/2016 Chapman ..... D23/370  
 D774,246 S 12/2016 Lin  
 D778,834 S 2/2017 Holweger et al.  
 D781,235 S 3/2017 Esses  
 D785,218 S 4/2017 Fletcher et al.  
 D790,052 S \* 6/2017 Ha ..... D23/370  
 9,695,635 B2 7/2017 Meyers et al.  
 D803,449 S 11/2017 Xu et al.  
 D804,001 S \* 11/2017 Cartwright ..... D23/355  
 9,813,796 B1 11/2017 Deng  
 D805,019 S 12/2017 Taylor et al.  
 D805,458 S 12/2017 Taylor et al.  
 D811,640 S 2/2018 Kim  
 D826,296 S \* 8/2018 Noorazar ..... D15/122  
 10,050,449 B2 8/2018 Hall et al.  
 D837,355 S \* 1/2019 Gunnefur ..... D23/364  
 D837,429 S 1/2019 Yu  
 D838,824 S \* 1/2019 Sun ..... D23/364  
 10,186,820 B1 1/2019 Gellert et al.  
 D842,265 S \* 3/2019 Becker ..... D14/204  
 D842,266 S \* 3/2019 Becker ..... D14/204

D848,593 S \* 5/2019 Exley ..... D23/351  
 D852,340 S \* 6/2019 Barlettano ..... D23/333  
 D852,344 S \* 6/2019 Hua ..... D23/364  
 D852,739 S 7/2019 Becker et al.  
 D854,212 S 7/2019 Yuan  
 D855,231 S 7/2019 Huang  
 2002/0045369 A1 4/2002 Agro  
 2006/0209531 A1 9/2006 Tiesler et al.  
 2007/0242450 A1 10/2007 Blatecky  
 2008/0032650 A1 2/2008 Zhang et al.  
 2011/0170704 A1 7/2011 Smith et al.  
 2013/0063963 A1 3/2013 Riesebosch  
 2015/0034259 A1 2/2015 Bohlen et al.  
 2016/0255703 A1 9/2016 Davie  
 2017/0073975 A1 3/2017 Taylor et al.  
 2017/0088068 A1 3/2017 Taylor et al.  
 2017/0089529 A1 3/2017 Xu  
 2017/0191649 A1 7/2017 Zhang et al.

FOREIGN PATENT DOCUMENTS

CA 165362 S 6/2016  
 CA 165363 S 6/2016  
 EM 002861385-0001 11/2015  
 EM 002861393-0001 11/2015  
 WO 2010/098735 A1 9/2010  
 WO 2015/175990 A1 11/2015  
 WO 2015/176013 A1 11/2015

OTHER PUBLICATIONS

Dometic 2017 Product Catalog, Awning Power Channel Accessories, pp. 1-11, May 8, 2017.  
 Ecoxgear, Bluetooth Waterproof Portable Speaker System; www.bjs.com/ecoxgear-bluetooth-waterproof-portable-speaker-system—red.product.227498, Jan. 7, 2014 [retrieved from internet Sep. 11, 2019].  
 European Patent Application 15793333.4 entitled “Power Track Awning Assembly” with national entry date Dec. 3, 2016.  
 Home Depot, Ion 10-Watt Wireless Bluetooth Speaker with Built-in-Clip; <http://www.homedepot.com/p/Ion-10-Watt-Wireless-Bluetooth-Speaker-with-Built-in-Clip-Red-ISP29R/204325987>, Jan. 7, 2014 [retrieved from internet Sep. 11, 2019].  
 Dometic, 2016 Product Catalog, PowerChannel Awnings, p. 35, Nov. 16, 2015.  
 Notice of Allowance mailed in Design U.S. Appl. No. 29/626,917 dated Oct. 12, 2018.  
 Notice of Allowance mailed in Design U.S. Appl. No. 29/626,926 dated Oct. 12, 2018.  
 Ex Parte Quale Action mailed in Design U.S. Appl. No. 29/626,929 dated Nov. 14, 2018.  
 Notice of Allowance mailed in Design U.S. Appl. No. 29/626,929 dated Feb. 8, 2019.  
 Non-Final Rejection mailed in Design U.S. Appl. No. 29/626,923 dated Mar. 8, 2019.  
 Notice of Allowance mailed in Design U.S. Appl. No. 29/626,923 dated Aug. 15, 2019.  
 Design U.S. Appl. No. 29/626,923 entitled “Light” filed Nov. 21, 2017.  
 Design U.S. Appl. No. 29/626,915 entitled “Accessory Base” filed Nov. 21, 2017.  
 Canadian Patent Application 2,948,856 entitled “Power Track Assembly and Accessory Base Therefore” with national entry date Nov. 10, 2016.  
 Canadian Patent Application 2,948,854 entitled “Power Track Awning Assembly” with national entry date Nov. 10, 2016.  
 European Patent Application 15793465.4 entitled “Power Track Assembly and Accessory Base Therefore” with national entry date Dec. 13, 2016.  
 Non-Final Rejection mailed in Design U.S. Appl. No. 29/626,915 dated Oct. 18, 2019.  
 Notice of Allowance mailed in Design U.S. Appl. No. 29/626,923 dated Nov. 5, 2019.

(56)

**References Cited**

OTHER PUBLICATIONS

Notice of Allowance mailed in Design U.S. Appl. No. 29/626,915  
dated Mar. 11, 2020.

\* cited by examiner

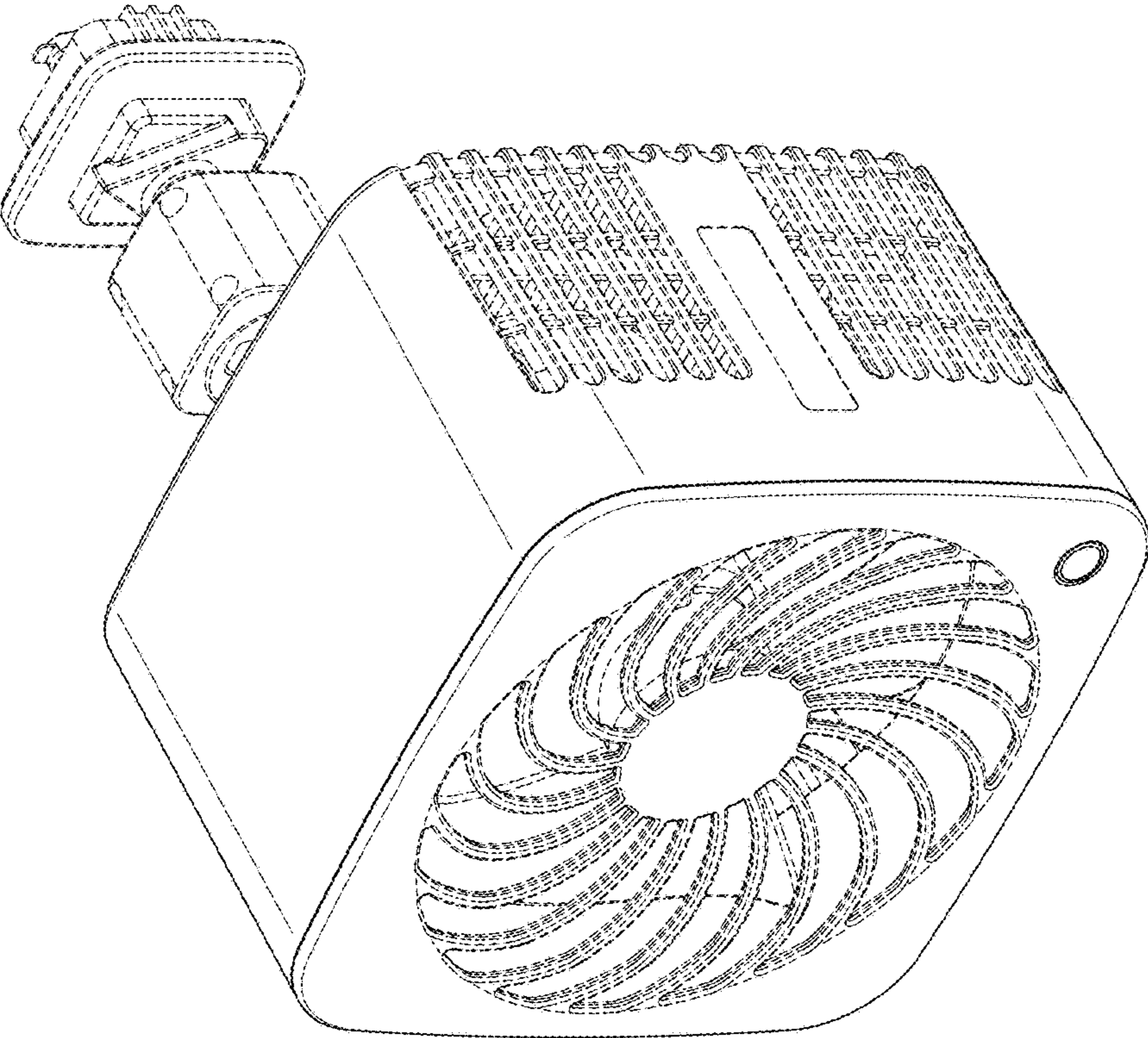


FIG. 1

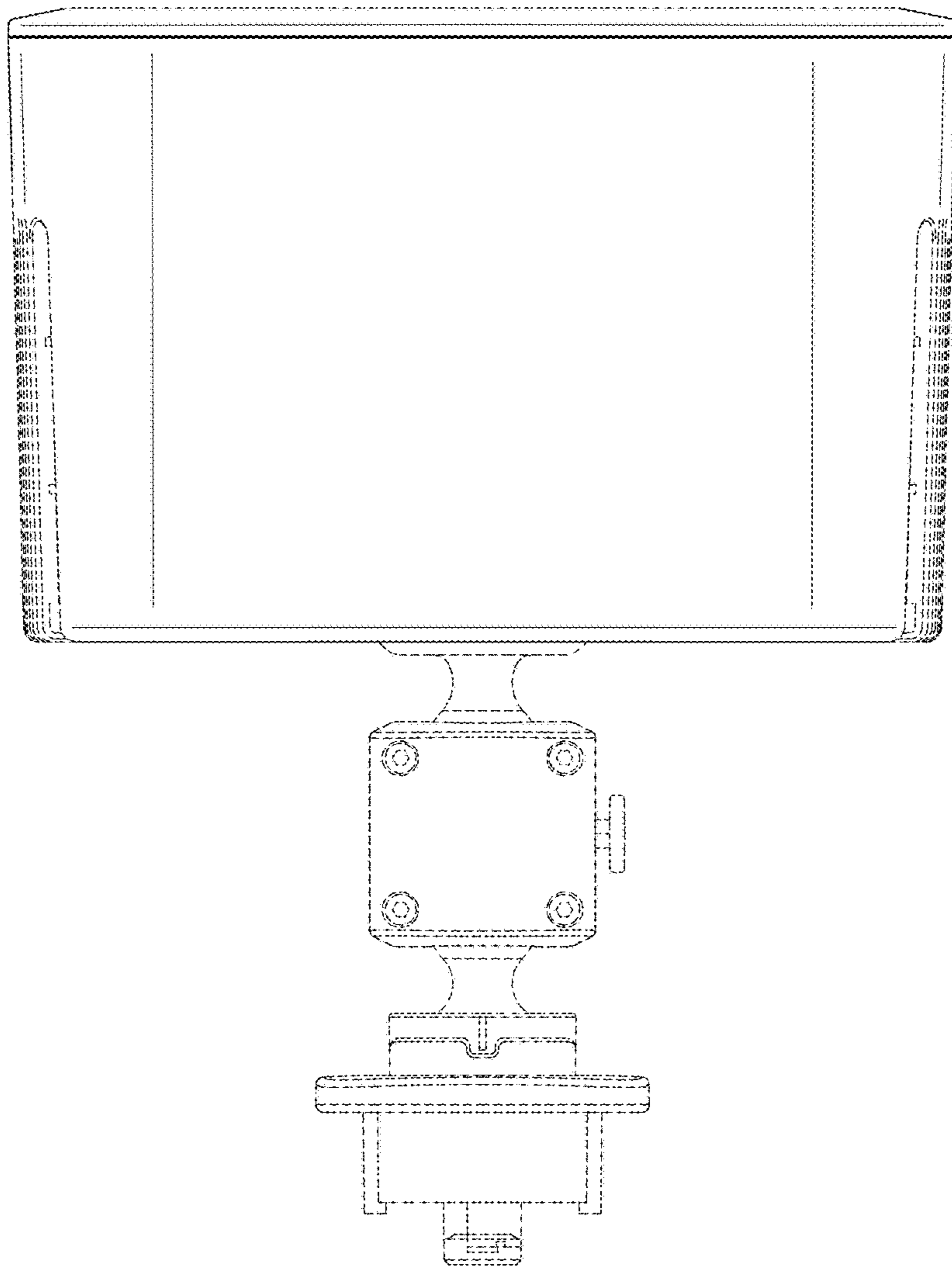


FIG. 2

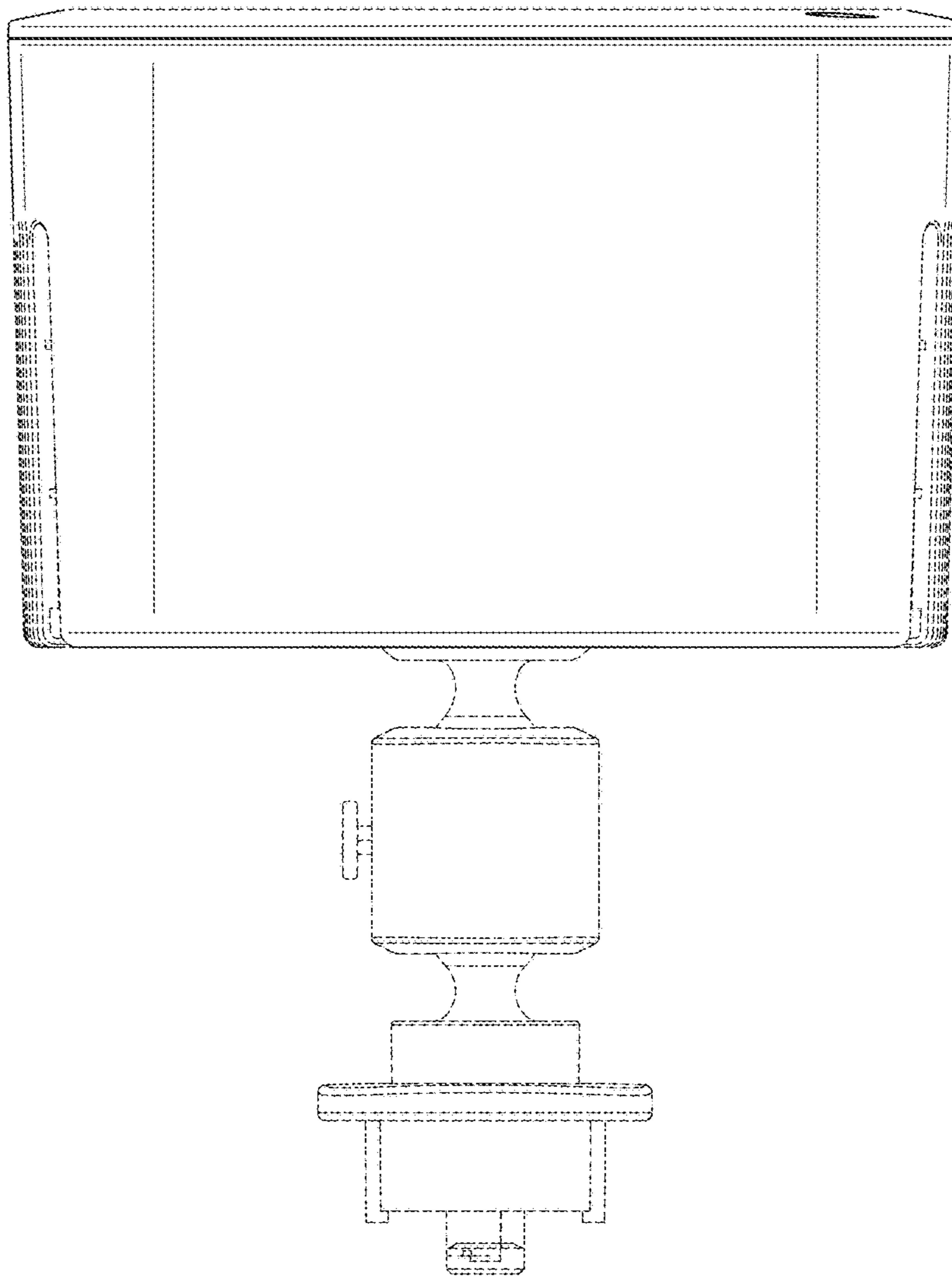


FIG. 3

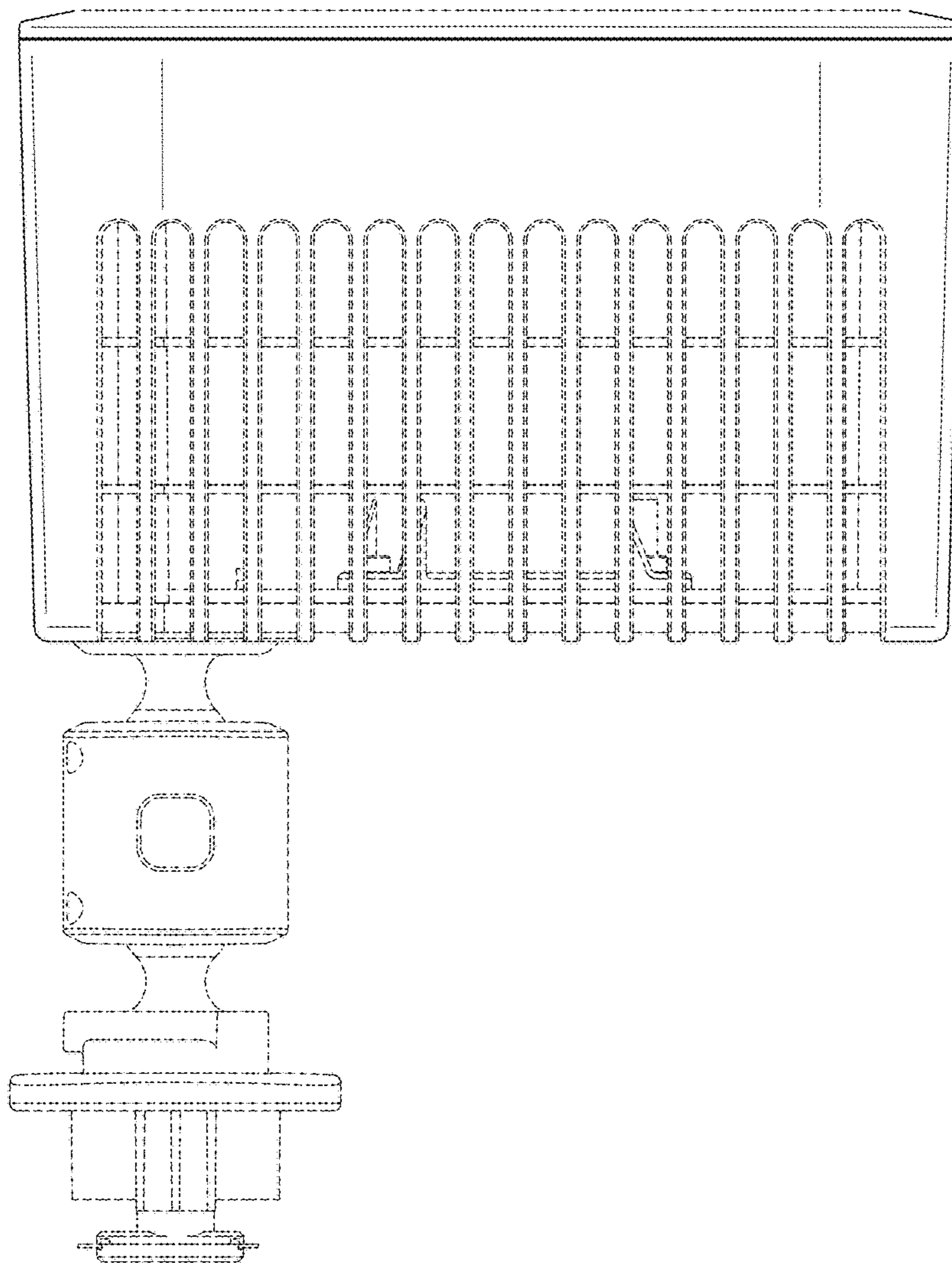


FIG. 4

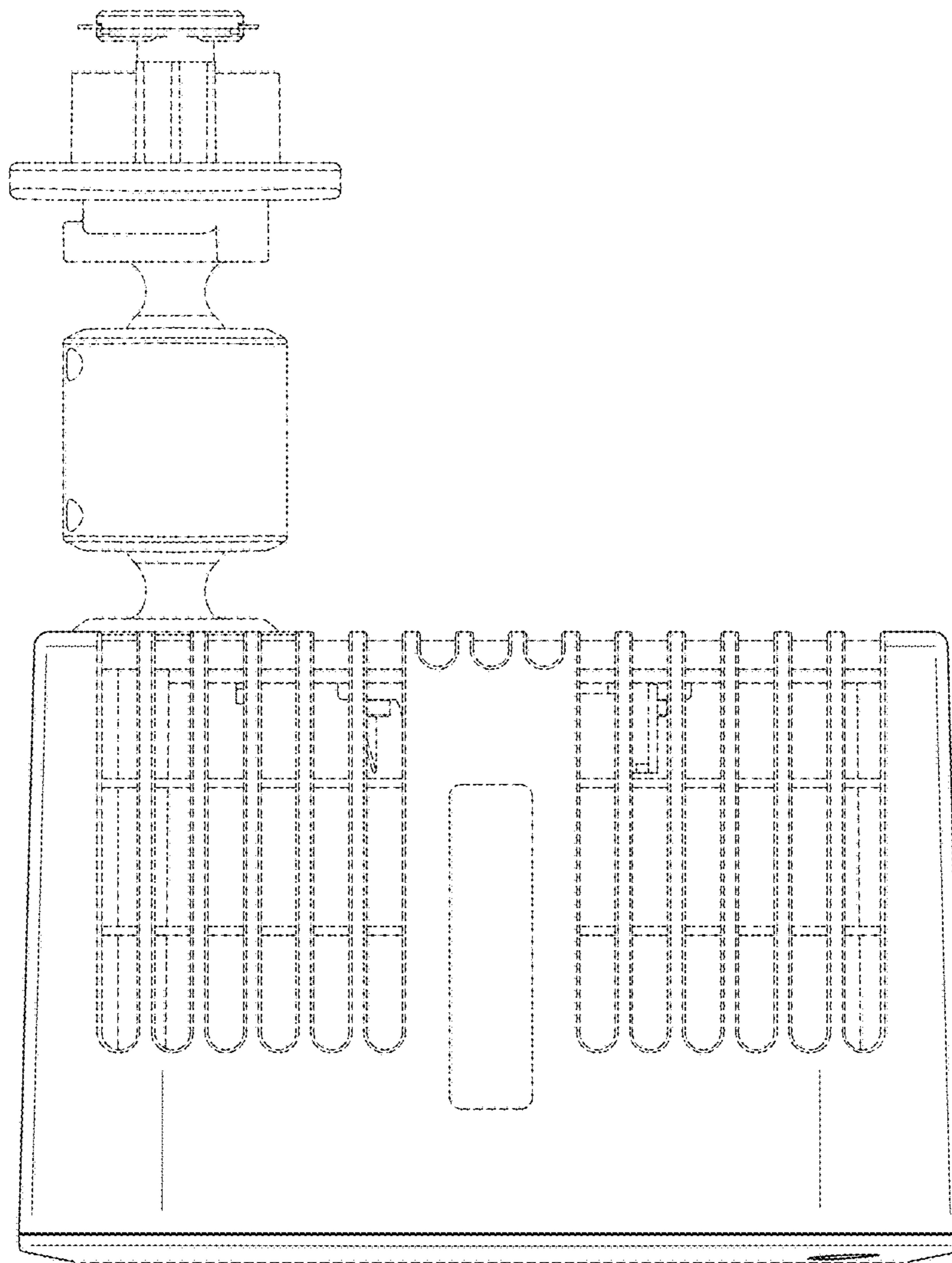


FIG. 5



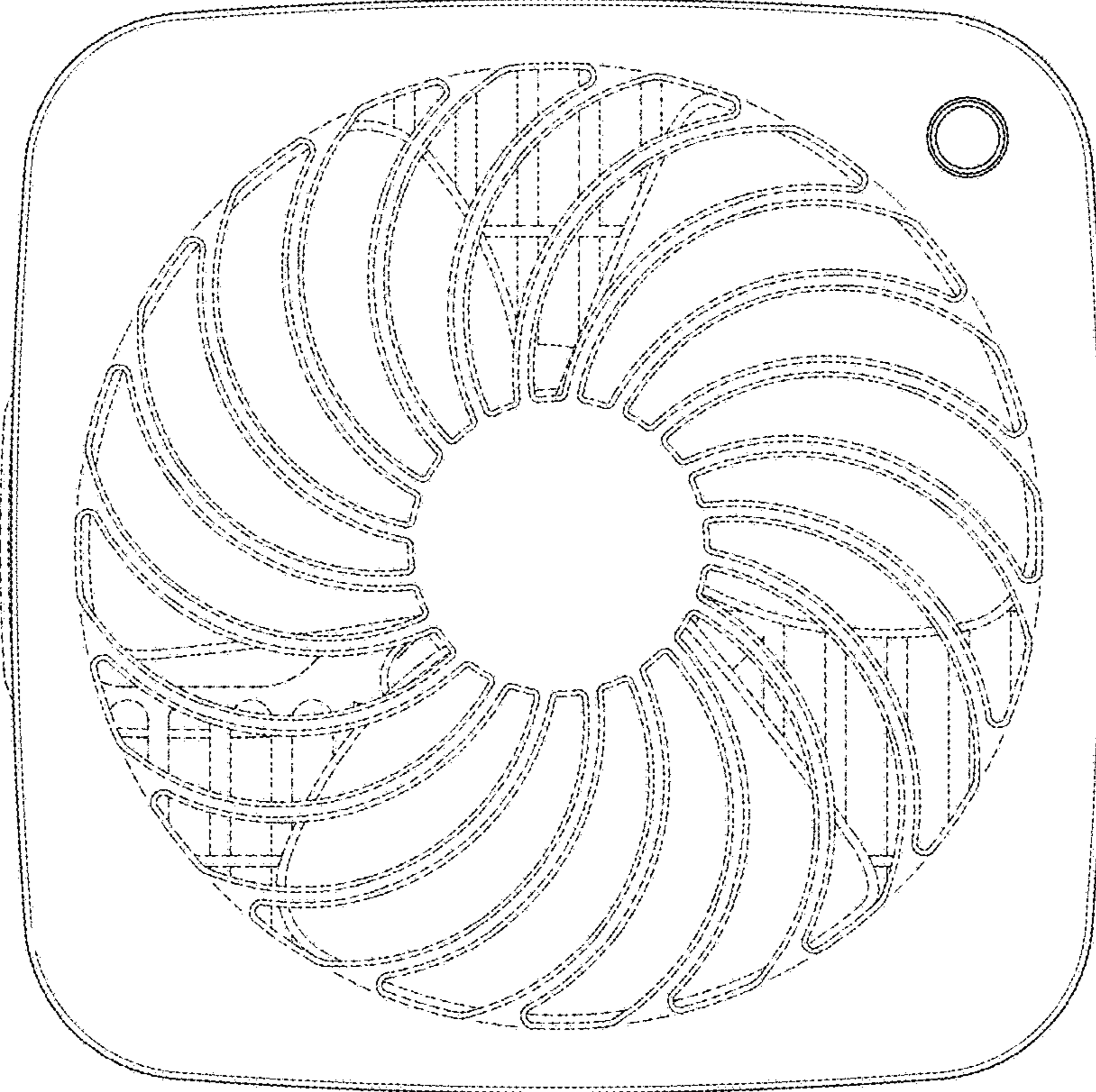


FIG. 6

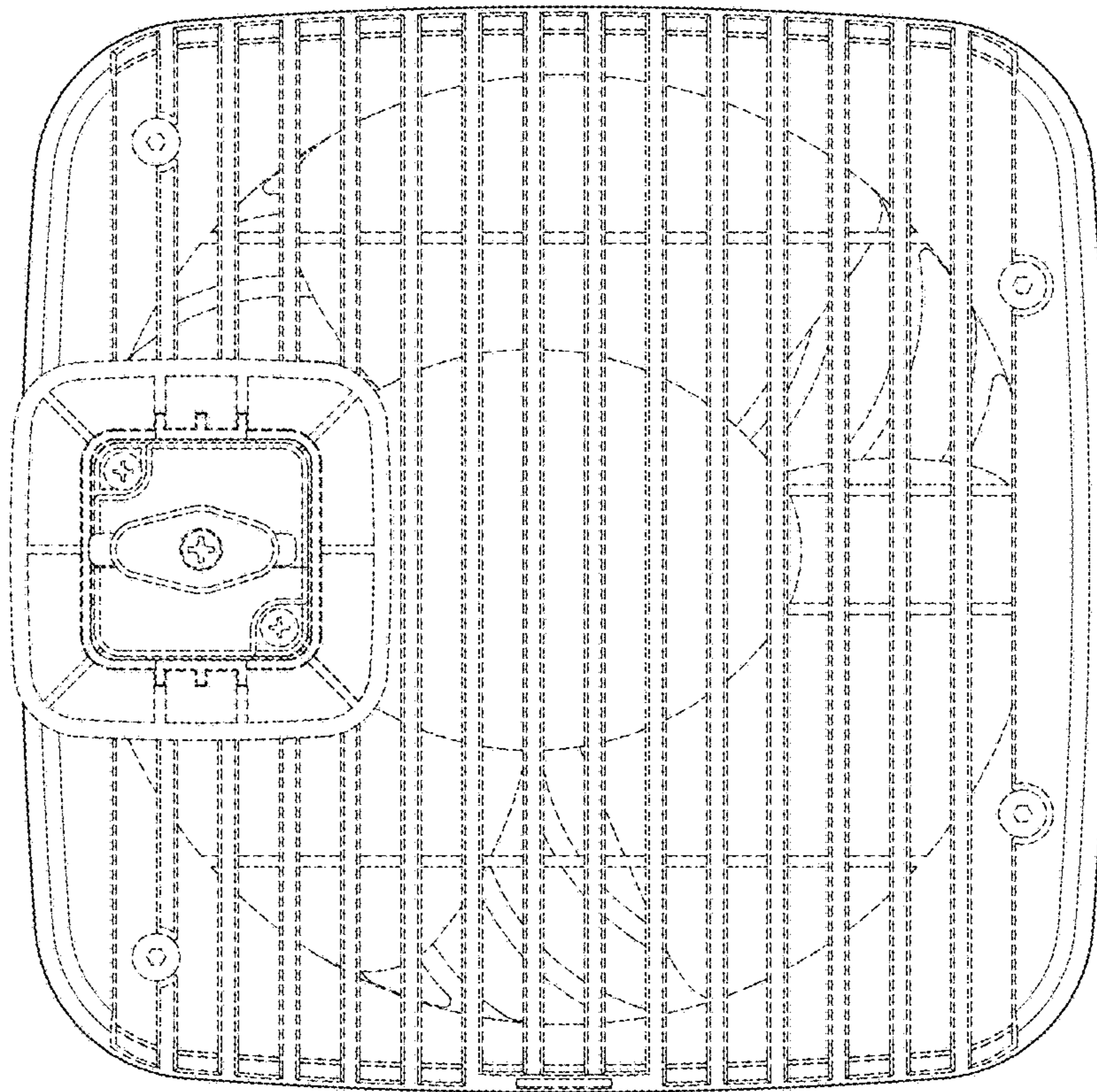


FIG. 7

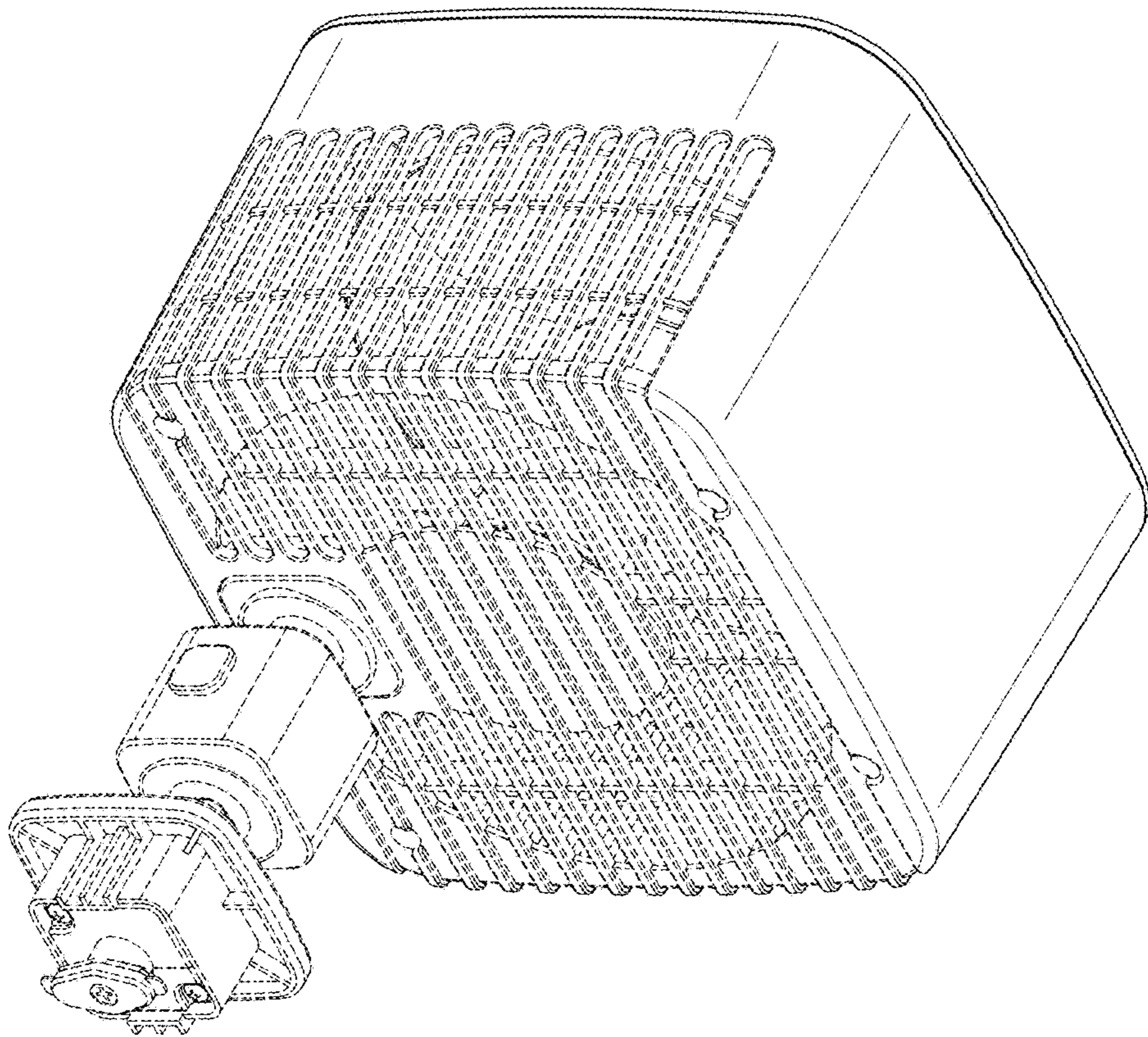


FIG. 8