



US00D889627S

(12) **United States Design Patent**
Brandenburg et al.

(10) **Patent No.:** **US D889,627 S**
(45) **Date of Patent:** **** Jul. 7, 2020**

(54) **AIR FRESHENER VENT CLIP**

D532,893 S 11/2006 Wu
D544,592 S 6/2007 Caserta
D544,594 S 6/2007 Zobebe
D552,343 S 10/2007 Brandenburg
(Continued)

(71) Applicant: **Brandywine Product Group International, Inc.**, Wilmington, DE (US)

(72) Inventors: **Kyle Brandenburg**, Middletown, DE (US); **Daniel R. Hoffman**, Mantua, NJ (US)

(73) Assignee: **Brandywine Product Group International, Inc.**, Wilmington, DE (US)

(**) Term: **15 Years**

(21) Appl. No.: **29/710,906**

(22) Filed: **Oct. 28, 2019**

Related U.S. Application Data

(62) Division of application No. 29/665,974, filed on Oct. 9, 2018, now Pat. No. Des. 871,564.

(51) **LOC (12) Cl.** **23-04**

(52) **U.S. Cl.**
USPC **D23/366**

(58) **Field of Classification Search**
USPC D23/208, 355-369; D14/209.1, 212-213; D8/1, 391
CPC A61L 9/02; A61L 9/03; A61L 9/12; A61L 9/035; A61L 9/125; A61L 2209/15; A61L 2209/16
See application file for complete search history.

(56) **References Cited**

U.S. PATENT DOCUMENTS

D481,787 S 11/2003 Millan
D483,460 S 12/2003 Millan
D503,973 S 4/2005 Millan
D523,129 S 6/2006 Caserta
7,070,172 B2 7/2006 Fabrega

OTHER PUBLICATIONS

Febreze Car Air Freshener; <https://www.febreze.com/en-us/products-by-type/car-vent-clip-freshener>; website accessed Oct. 2, 2018.

Primary Examiner — Sheryl Lane

Assistant Examiner — Calvin E Vasant

(74) *Attorney, Agent, or Firm* — Rogowski Law LLC

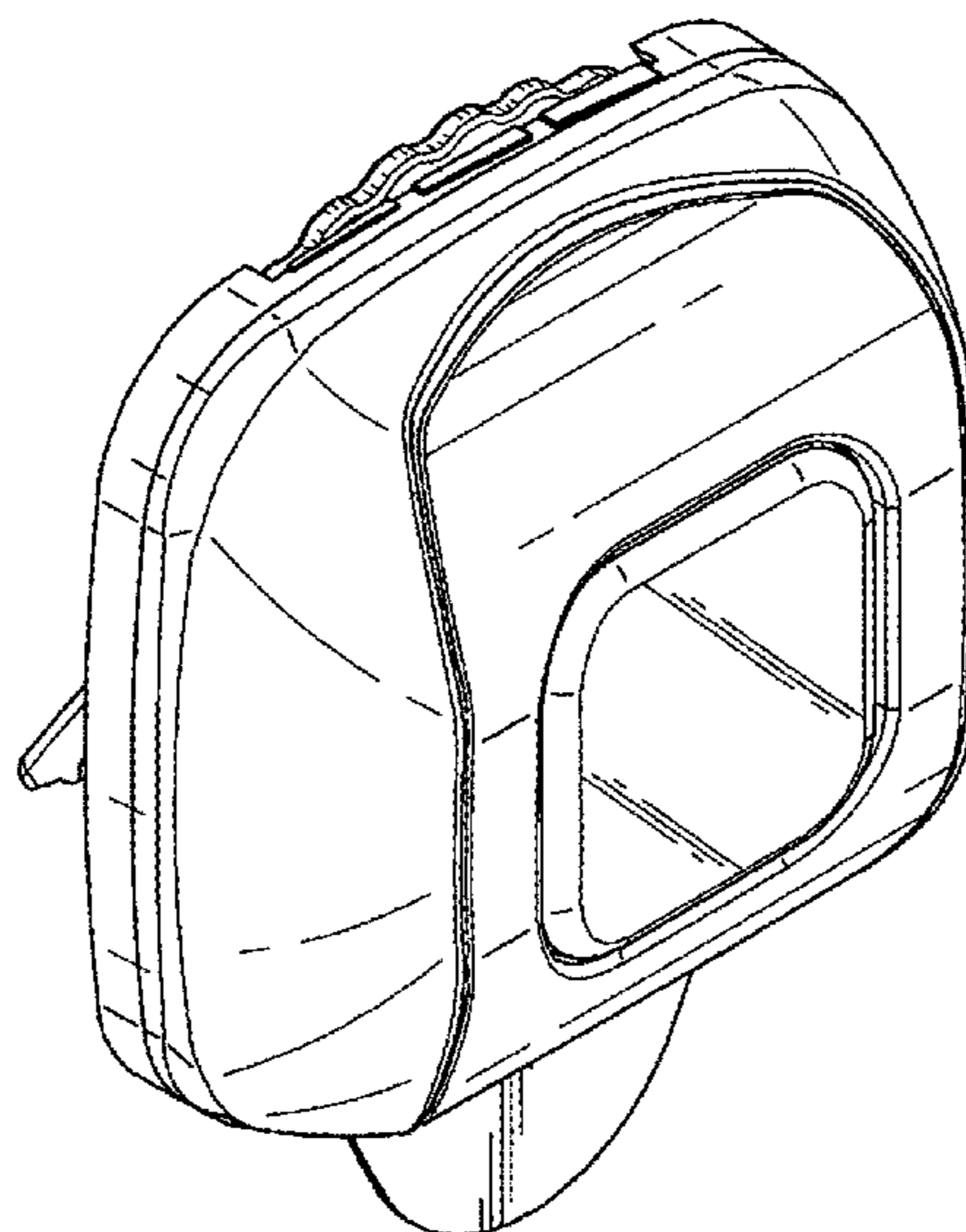
(57) **CLAIM**

The ornamental design for an air freshener vent clip, as shown and described.

DESCRIPTION

FIG. 1 is a left top perspective view of an air freshener vent clip;
FIG. 2 is a left bottom perspective view of the air freshener vent clip of FIG. 1;
FIG. 3 is a left rear perspective view of the air freshener vent clip of FIG. 1;
FIG. 4 is a left rear bottom perspective view of the air freshener vent clip of FIG. 1;
FIG. 5 is a front elevational view of the air freshener vent clip of FIG. 1;
FIG. 6 is a rear elevational view of the air freshener vent clip of FIG. 1;
FIG. 7 is top view of the air freshener vent clip of FIG. 1;
FIG. 8 is a bottom view of the air freshener vent clip of FIG. 1;
FIG. 9 is a left side elevational view of the air freshener vent clip of FIG. 1; and,
FIG. 10 is a right side elevational view of the air freshener vent clip of FIG. 1.

1 Claim, 5 Drawing Sheets



(56)

References Cited

U.S. PATENT DOCUMENTS

7,400,822 B2	7/2008	Ballesteros	D664,246 S	7/2012	Irvin	
D586,900 S	2/2009	Weggelaar	D665,485 S	8/2012	Vetu	
D608,435 S	1/2010	Zobebe	D667,151 S	9/2012	Arslanian	
D611,584 S	3/2010	Gruenbacher	8,455,454 B2	6/2013	Wang	
D613,388 S	4/2010	Koenig	D692,549 S	10/2013	Wirz	
D618,329 S	6/2010	Koenig	D694,382 S	11/2013	Brandenburg	
D621,021 S	8/2010	Koenig	D696,762 S	12/2013	Lin	
D621,922 S	8/2010	Sabate	D698,018 S	1/2014	Choi	
D621,923 S	8/2010	Koenig	D698,431 S	1/2014	Garbusi	
D621,926 S	8/2010	Christensen	D709,172 S	7/2014	Brandenburg	
D628,284 S	11/2010	Ko	D712,572 S	9/2014	Dai	
D629,500 S	12/2010	Koenig	D729,368 S	5/2015	Marwick	
D629,881 S	12/2010	Valentino	D794,765 S	8/2017	Brandenburg	
D631,954 S	2/2011	Bertassi	D804,006 S	11/2017	Gobber	
D633,610 S	3/2011	Wu	D819,798 S	6/2018	Hwang	
D642,668 S	8/2011	Lablaine	D826,390 S	8/2018	Brandenburg	
D647,186 S	10/2011	Chan	D835,307 S	12/2018	Thompson	
			D849,221 S	5/2019	Brandenburg	
			D871,564 S *	12/2019	Brandenburg D23/366
			2017/0112955 A1 *	4/2017	Bourne A61L 9/125

* cited by examiner

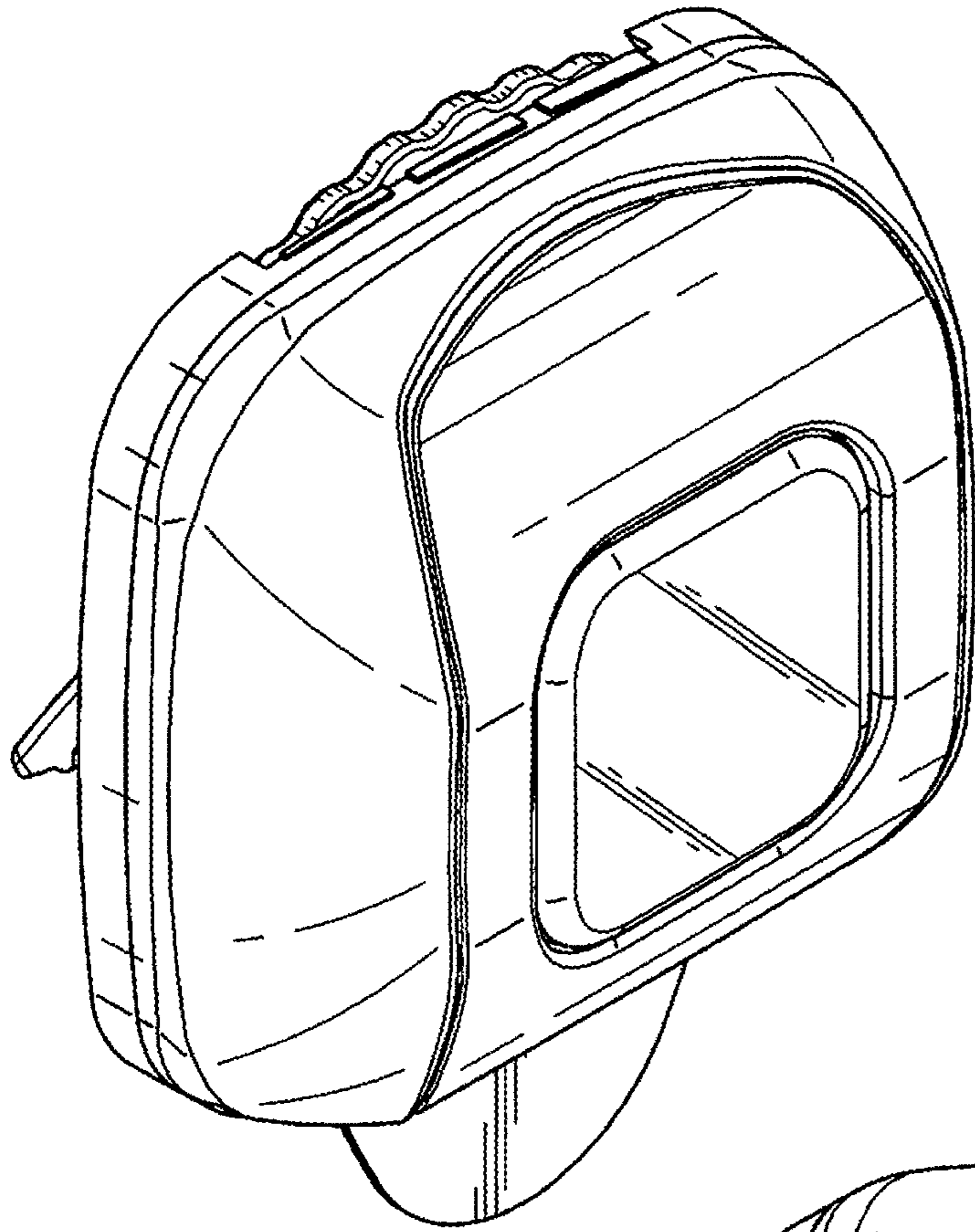
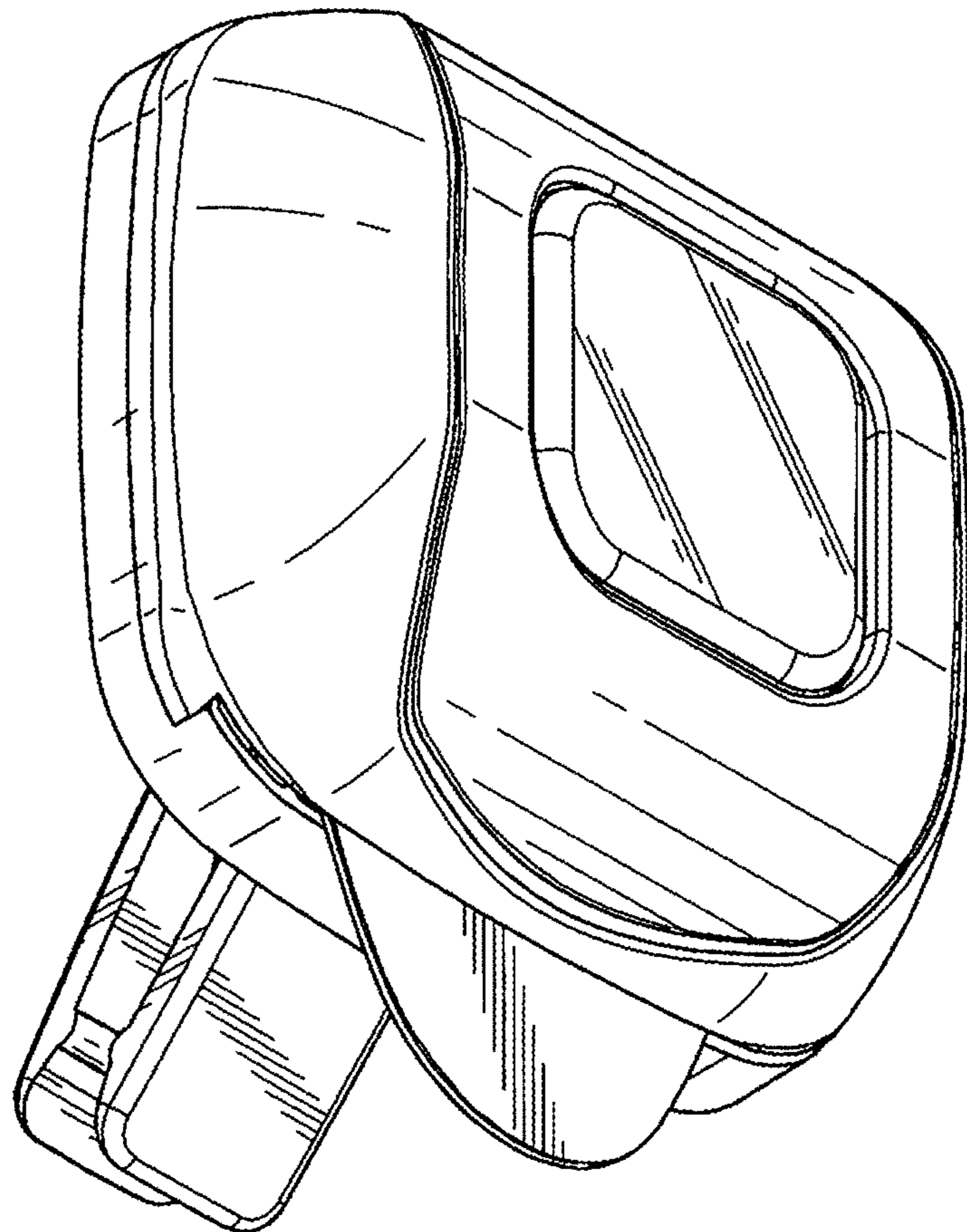


FIG. 1

FIG. 2



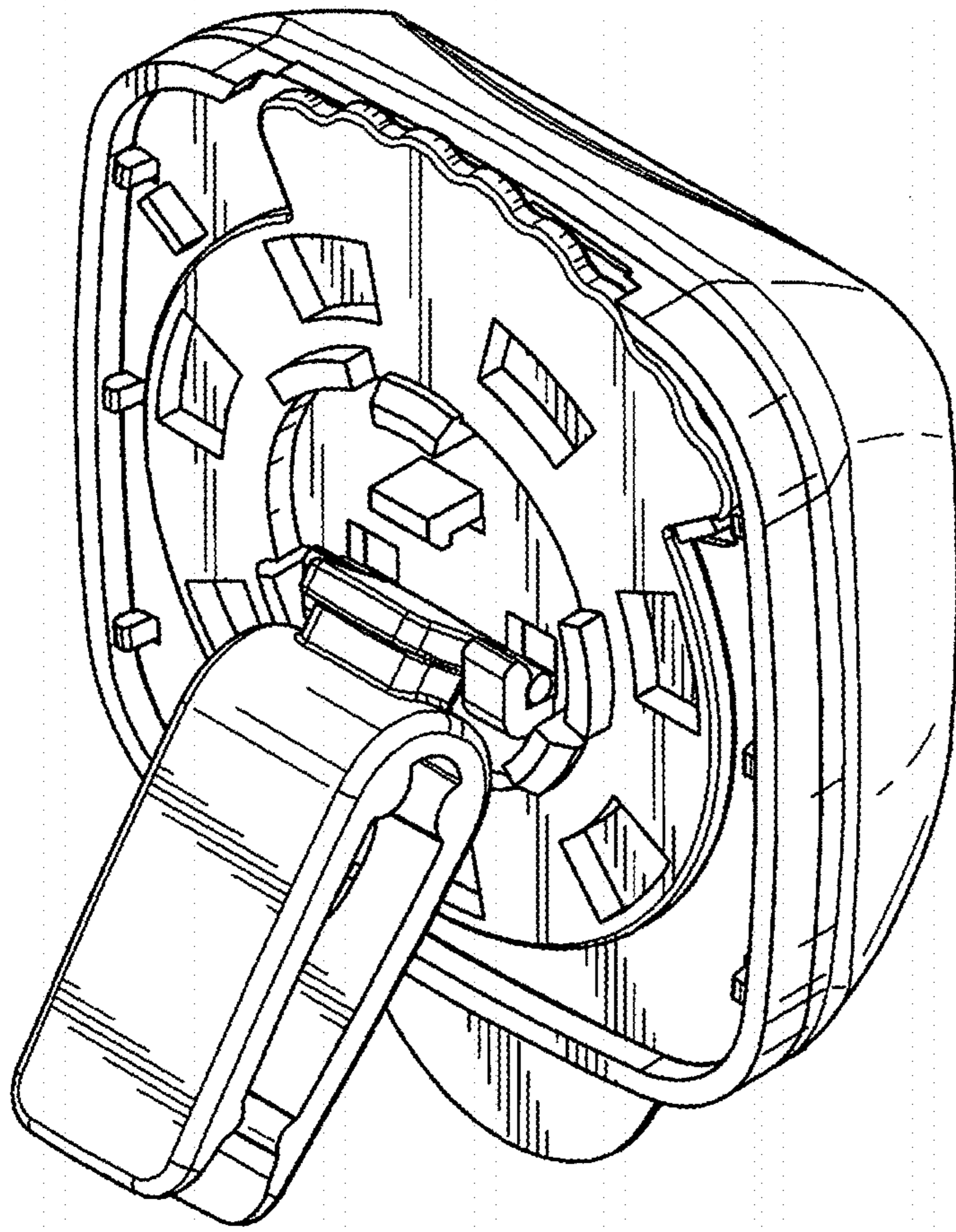


FIG. 3

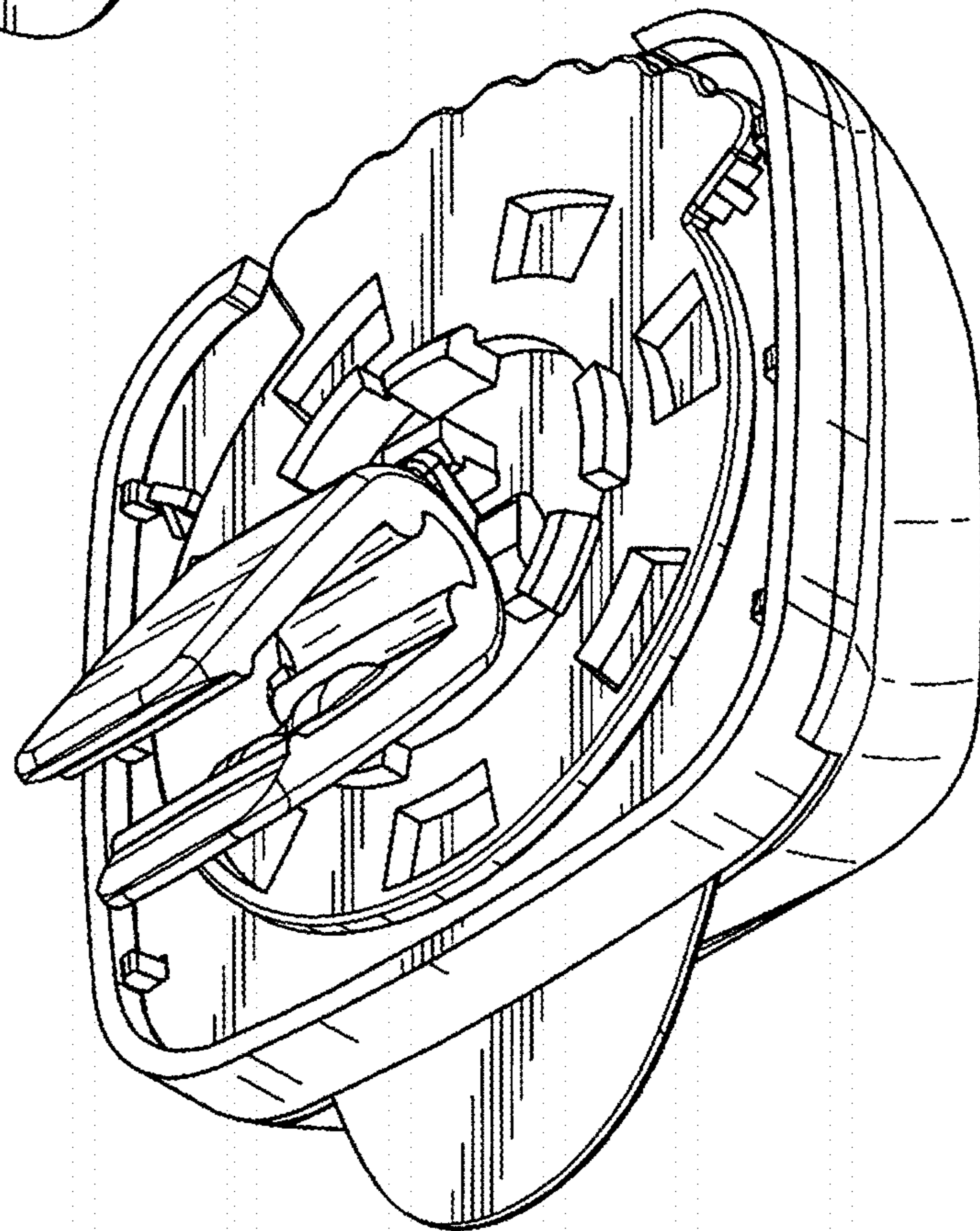


FIG. 4

FIG. 5

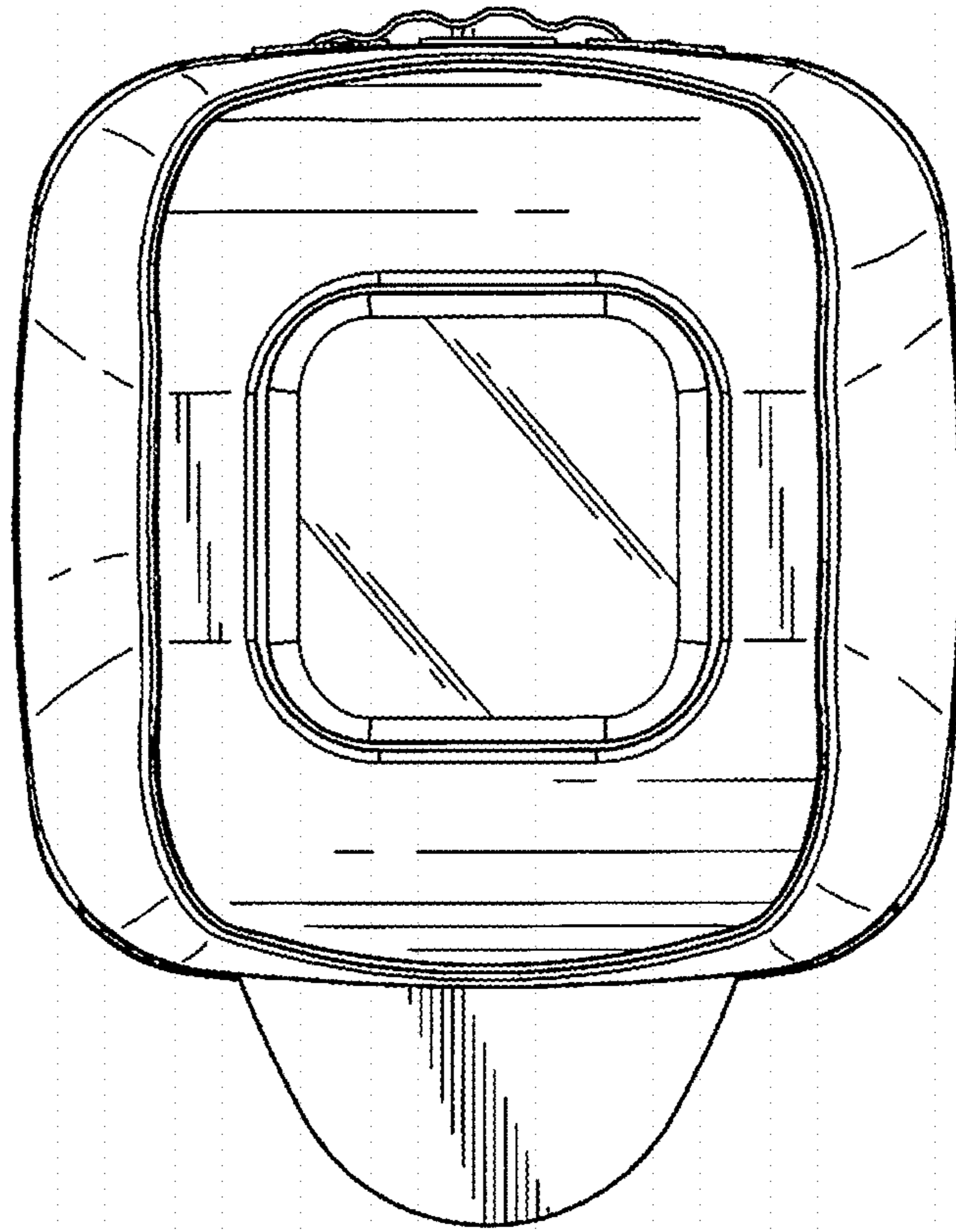
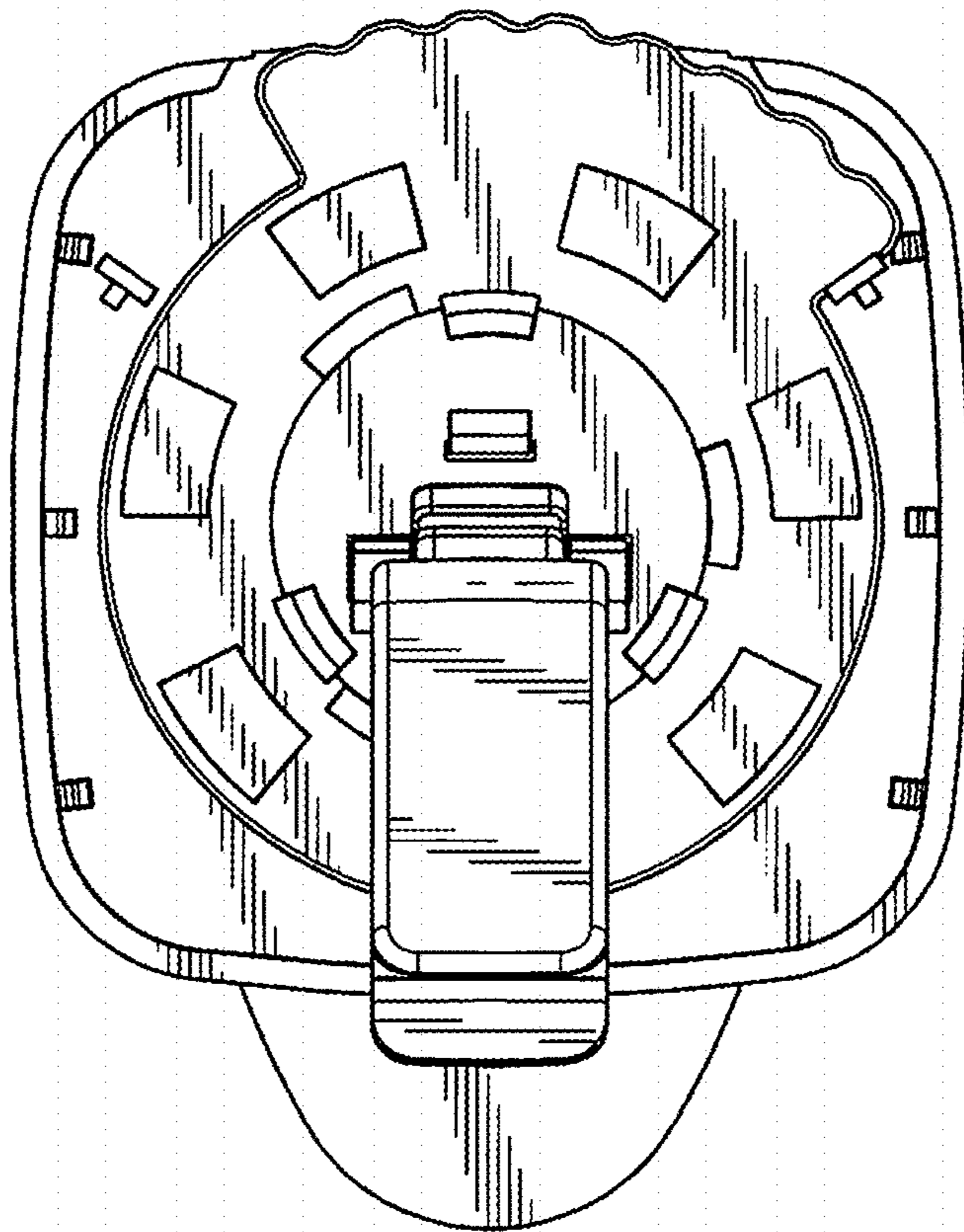


FIG. 6



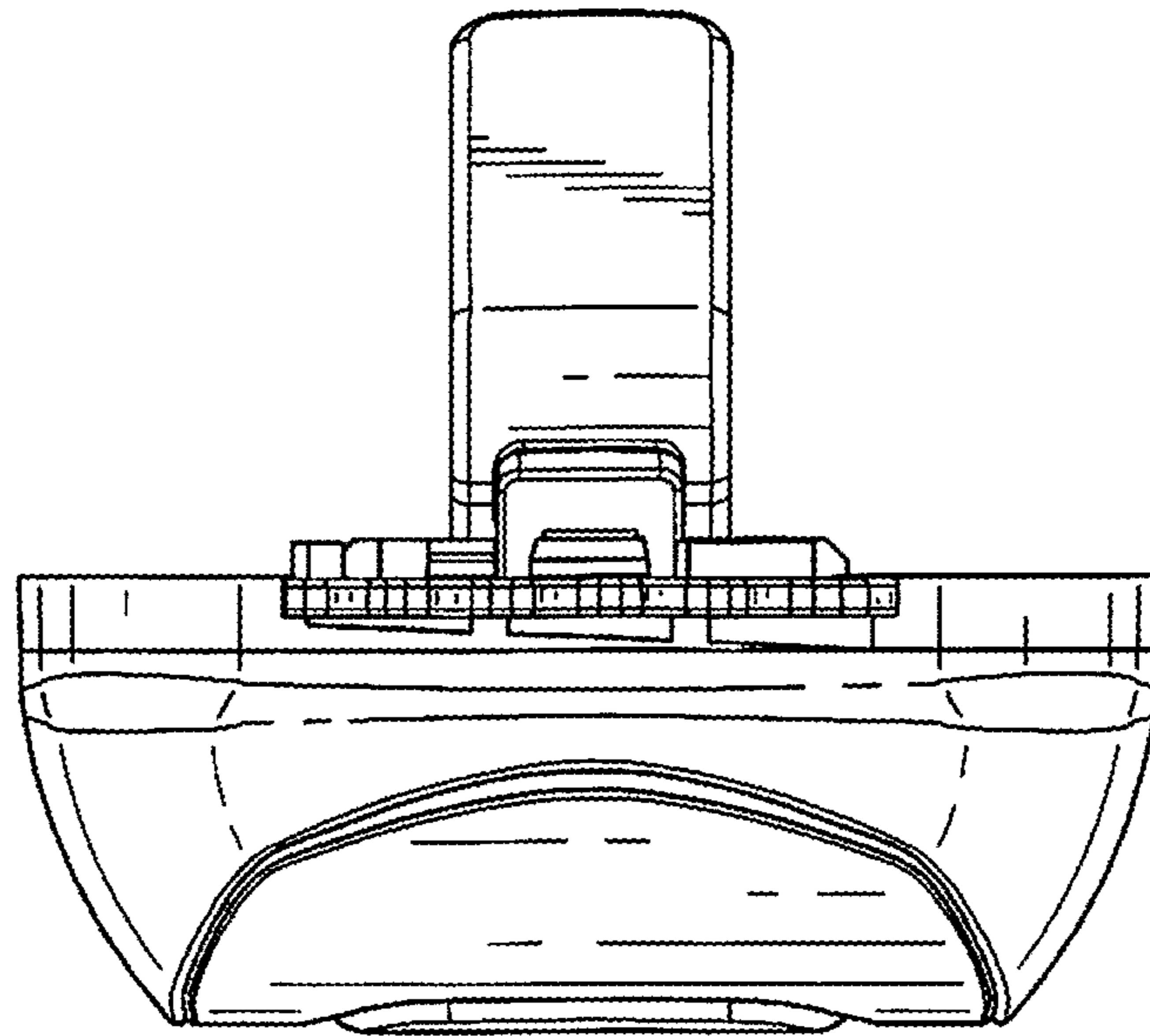


FIG. 7

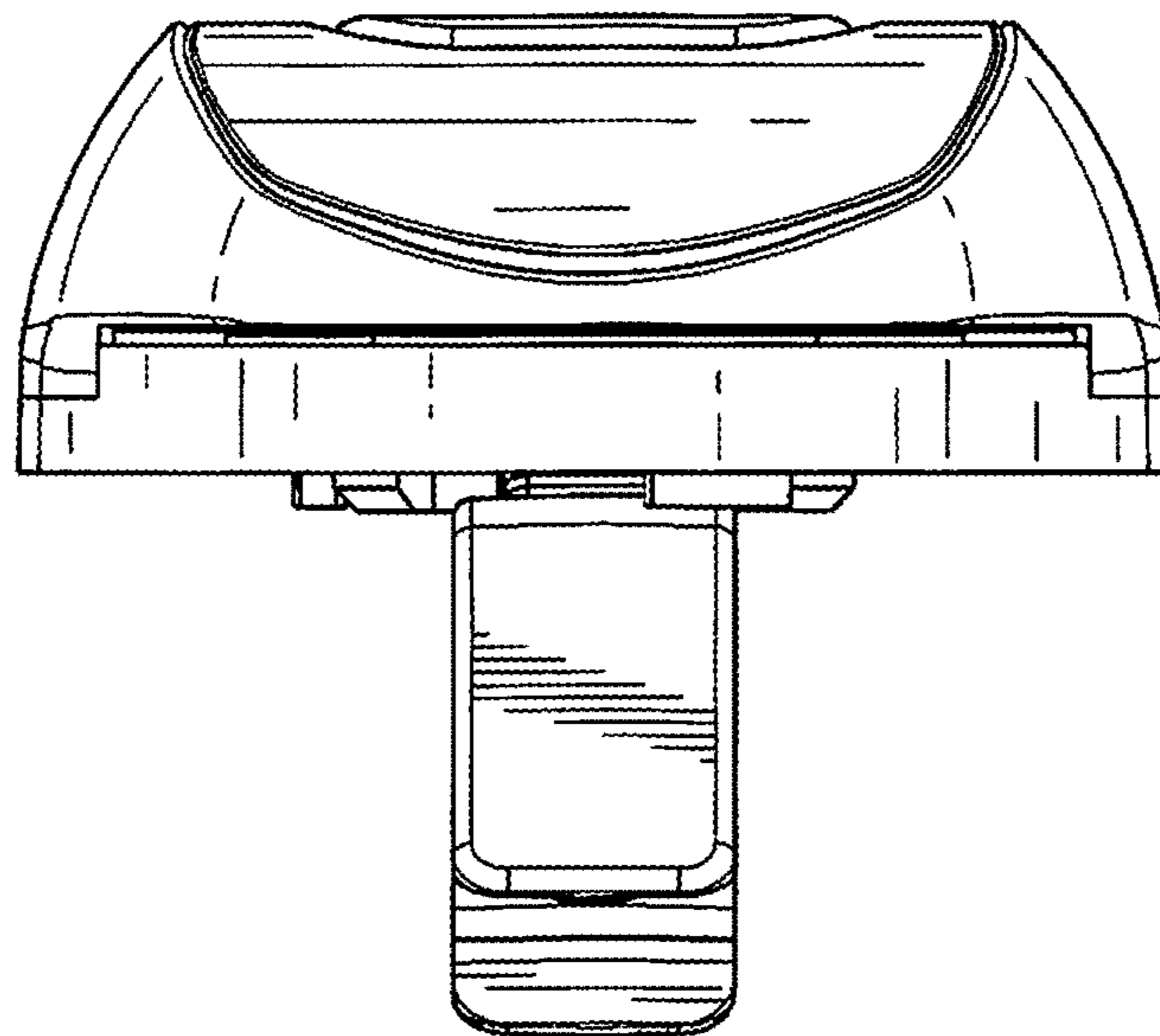


FIG. 8

FIG. 9

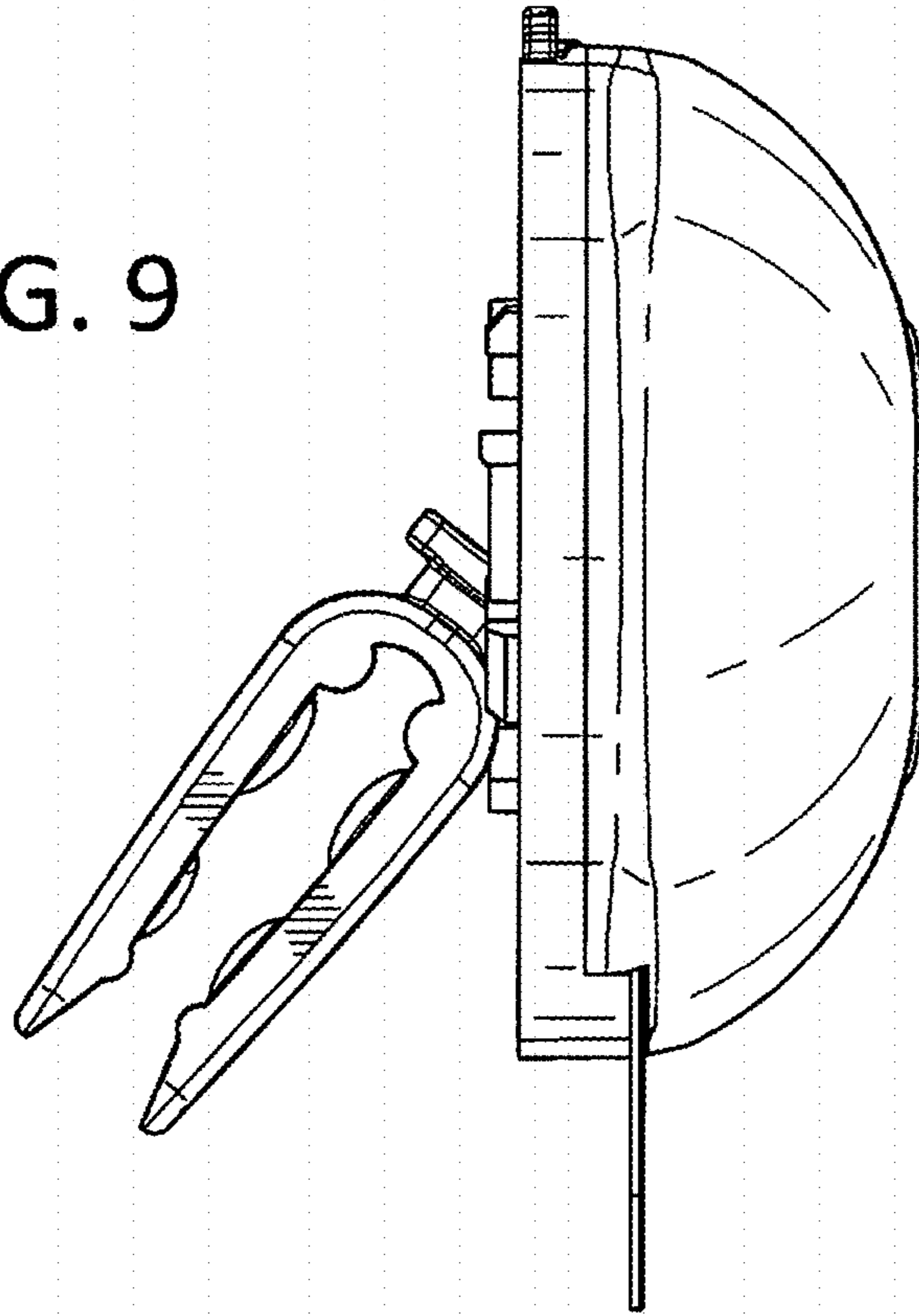


FIG. 10

