



US00D889626S

(12) **United States Design Patent**
Alexander

(10) **Patent No.:** **US D889,626 S**
(45) **Date of Patent:** **** Jul. 7, 2020**

- (54) **WALL MOUNTABLE ESSENTIAL OIL DIFFUSER**
- (71) Applicant: **Matthew Aaron Alexander**, Orem, UT (US)
- (72) Inventor: **Matthew Aaron Alexander**, Orem, UT (US)
- (**) Term: **15 Years**
- (21) Appl. No.: **29/690,384**
- (22) Filed: **May 7, 2019**

7,400,822 B2 *	7/2008	Ruiz Ballesteros	A61L 9/03	392/390
D575,859 S *	8/2008	Scimone	D23/366	
D611,585 S *	3/2010	Gruenbacher	D23/366	
D688,364 S *	8/2013	Gammon	D23/366	
D689,999 S *	9/2013	Viala	A61L 9/03	D23/366
D721,797 S *	1/2015	Hewett	D23/355	
D829,876 S *	10/2018	Arinsmier	D23/366	
D830,529 S *	10/2018	Arinsmier	D23/366	
2010/0187327 A1 *	7/2010	Irvin	A61L 9/125	239/47

* cited by examiner

Primary Examiner — Sheryl Lane
Assistant Examiner — Calvin E Vansant
 (74) *Attorney, Agent, or Firm* — Superior IP, PLLC;
 Dustin Call

Related U.S. Application Data

- (60) Continuation of application No. 29/668,461, filed on Oct. 30, 2018, which is a division of application No. 16/160,750, filed on Oct. 15, 2018.
- (51) **LOC (12) Cl.** **23-04**
- (52) **U.S. Cl.**
USPC **D23/366**
- (58) **Field of Classification Search**
USPC D23/208, 355–369; D14/209.1, 212–213; D8/1, 391
CPC A61L 9/02; A61L 9/03; A61L 9/12; A61L 9/035; A61L 9/125; A61L 2209/15; A61L 2209/16; A61L 9/122; F16M 13/022
See application file for complete search history.

(57) **CLAIM**

The ornamental design for a wall mountable essential oil diffuser, as shown and described.

DESCRIPTION

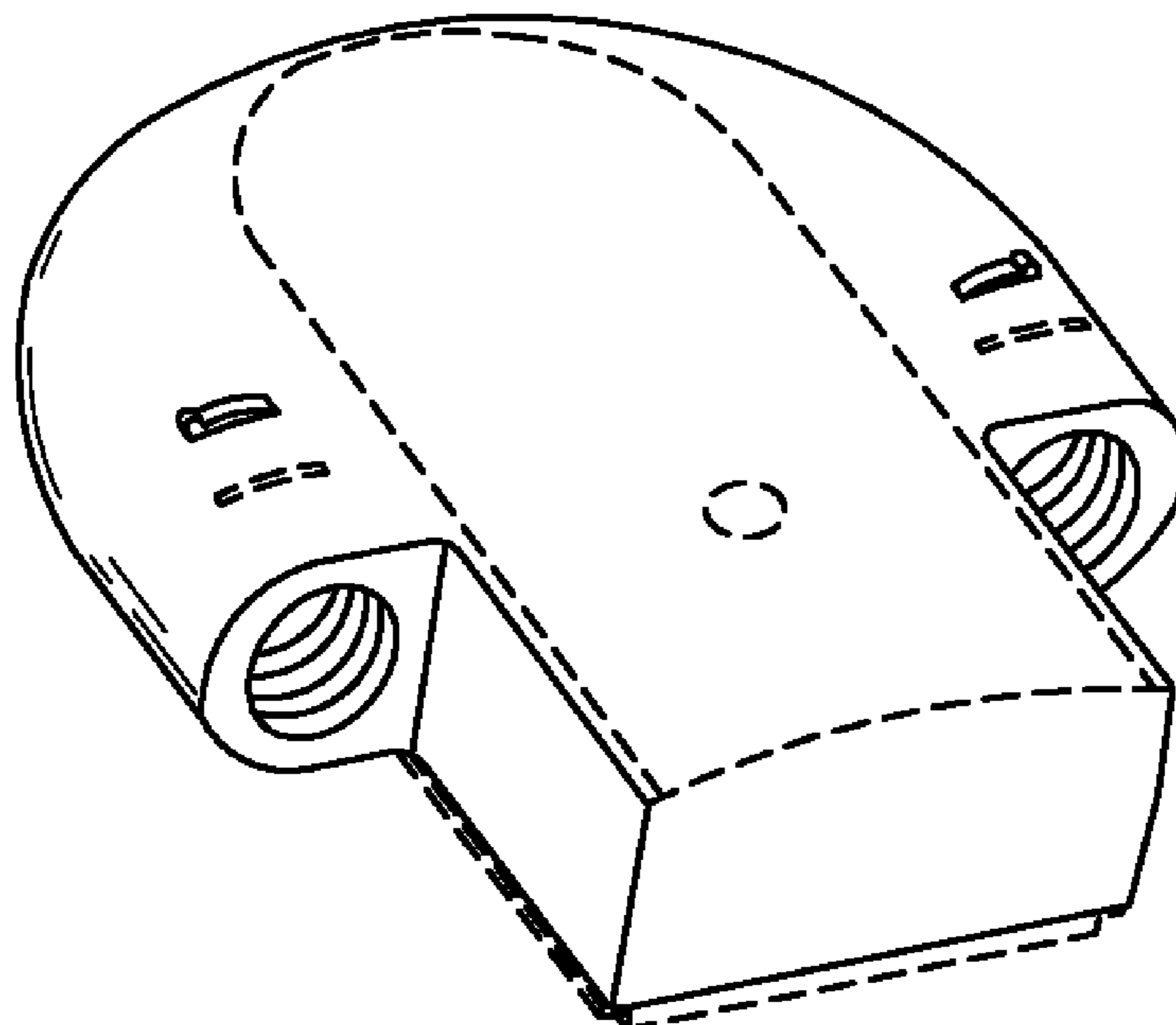
FIG. 1 is a front view of a wall mountable essential oil diffuser;
 FIG. 2 is a rear view thereof;
 FIG. 3 is a top view thereof;
 FIG. 4 is a bottom view thereof;
 FIG. 5 is a right side view thereof, the left side view being a mirror image;
 FIG. 6 is a top left rear perspective view thereof;
 FIG. 7 is a bottom right front perspective view thereof;
 FIG. 8 is a front expanded view thereof; and,
 FIG. 9 is a rear expanded view thereof.
 The broken lines depict environmental subject matter only and form no part of the claim.

(56) **References Cited**

U.S. PATENT DOCUMENTS

D366,107 S *	1/1996	Shaffer	D20/18
D438,608 S *	3/2001	Chen	D23/366
D512,494 S *	12/2005	Haranaka	D23/355
D544,951 S *	6/2007	Zobebe	A61L 9/125
				D23/366

1 Claim, 5 Drawing Sheets



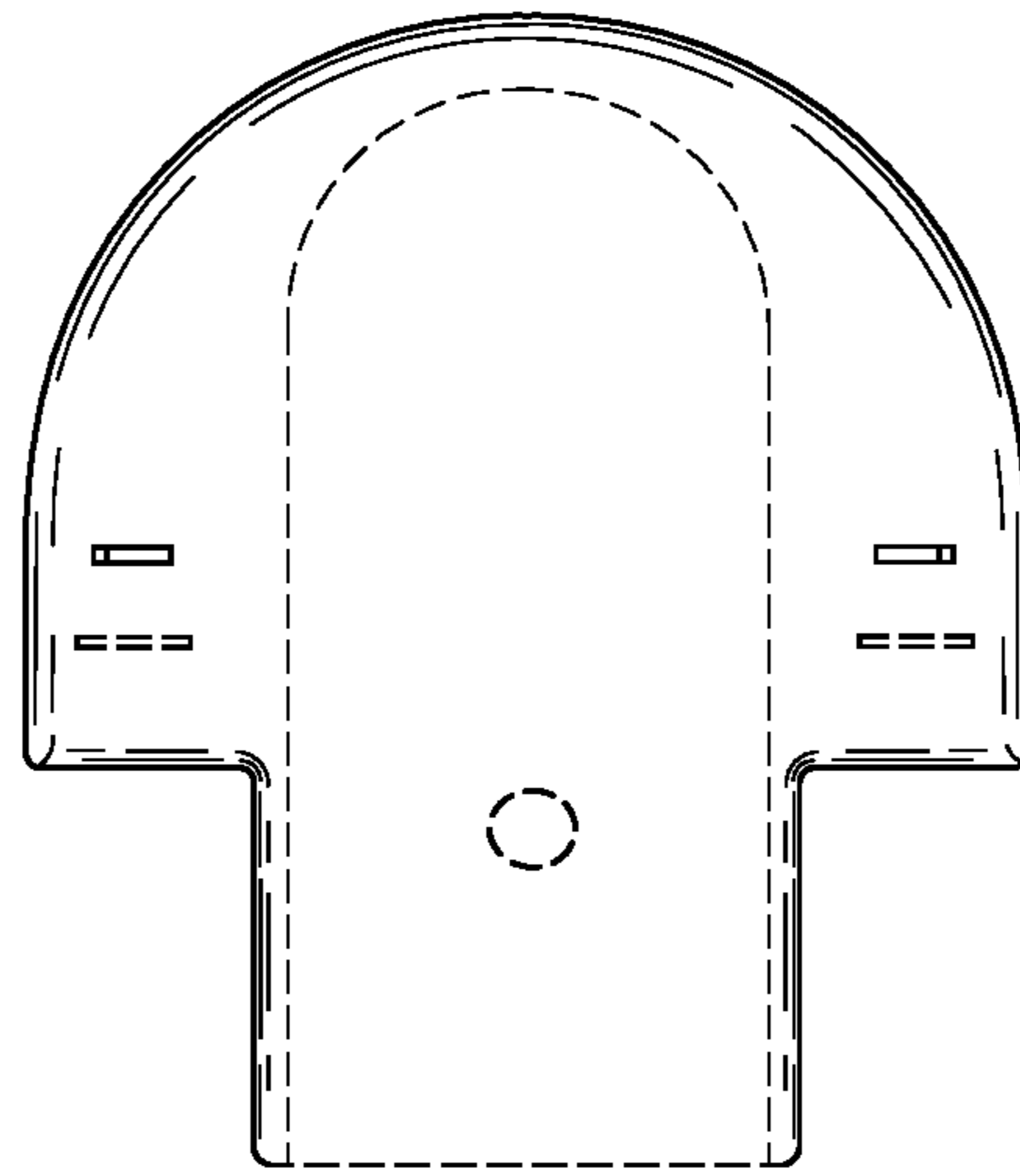


FIG. 1

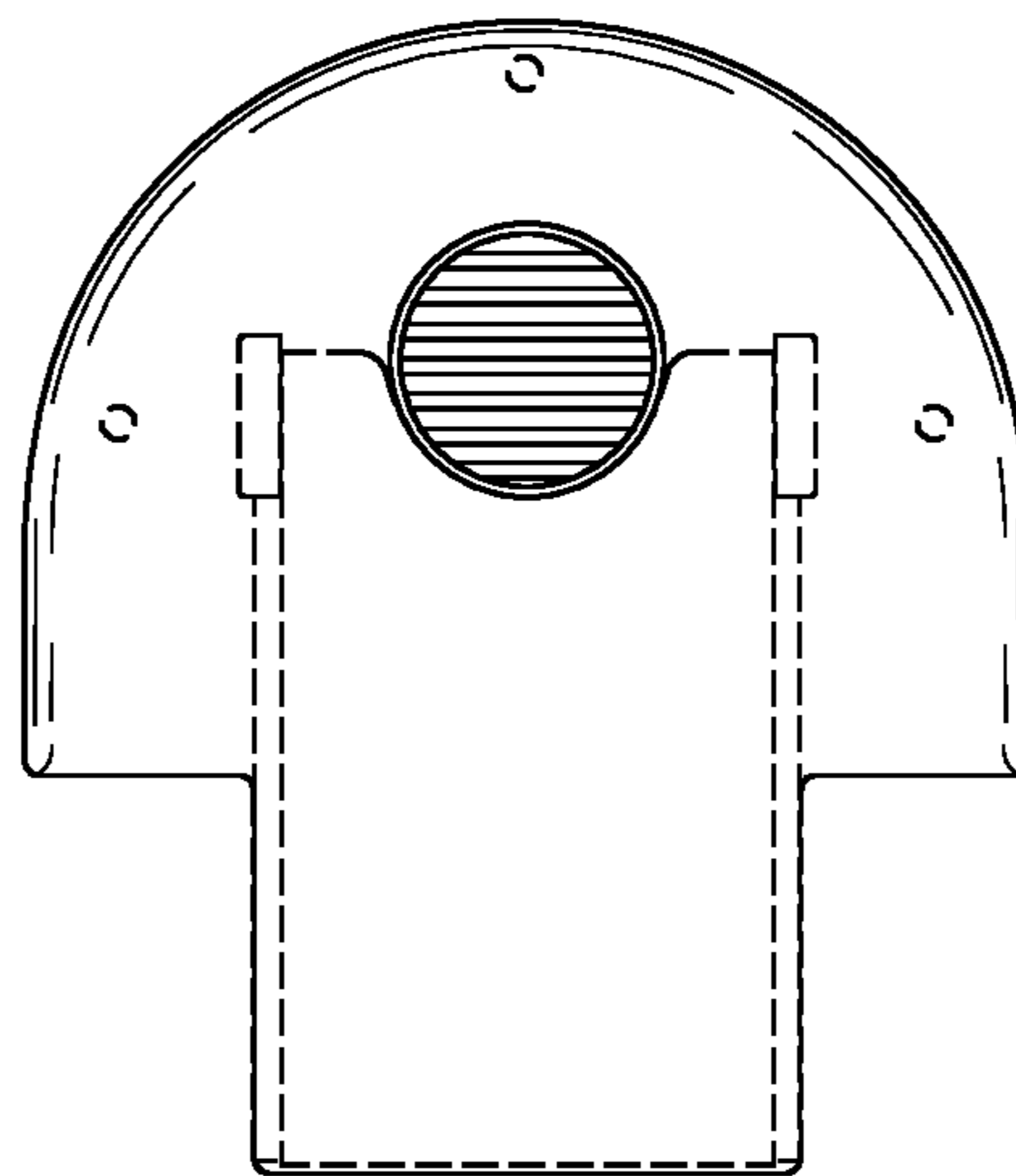


FIG. 2

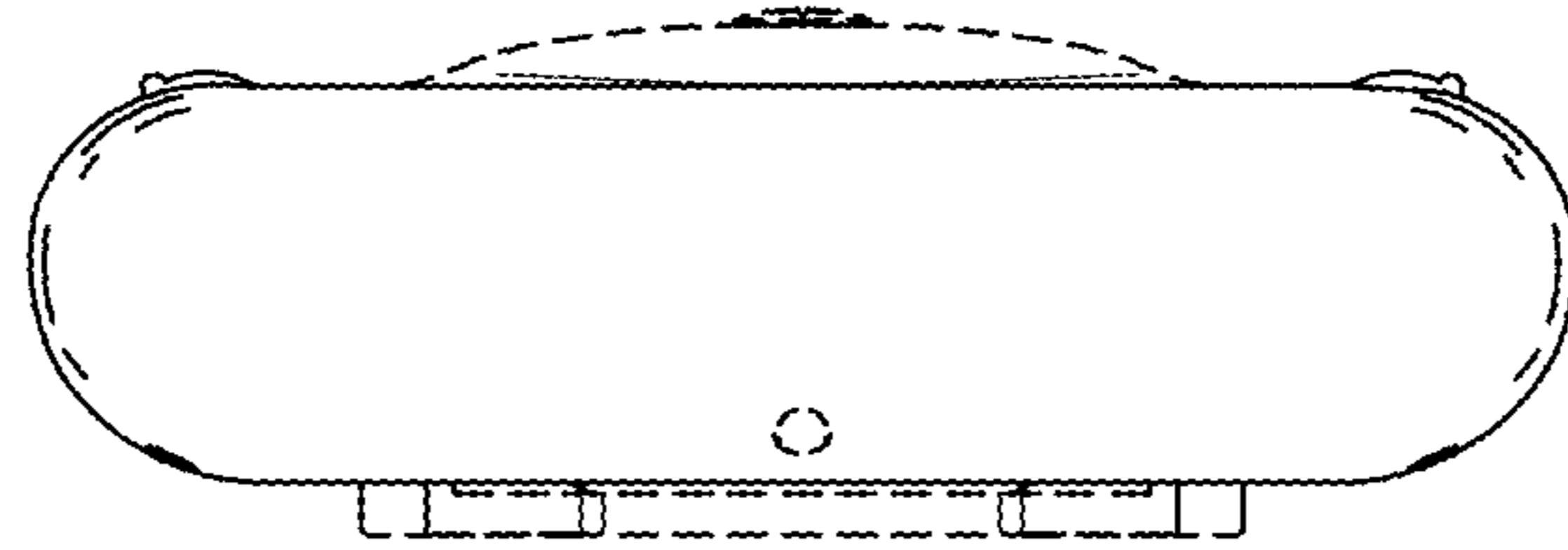


FIG. 3

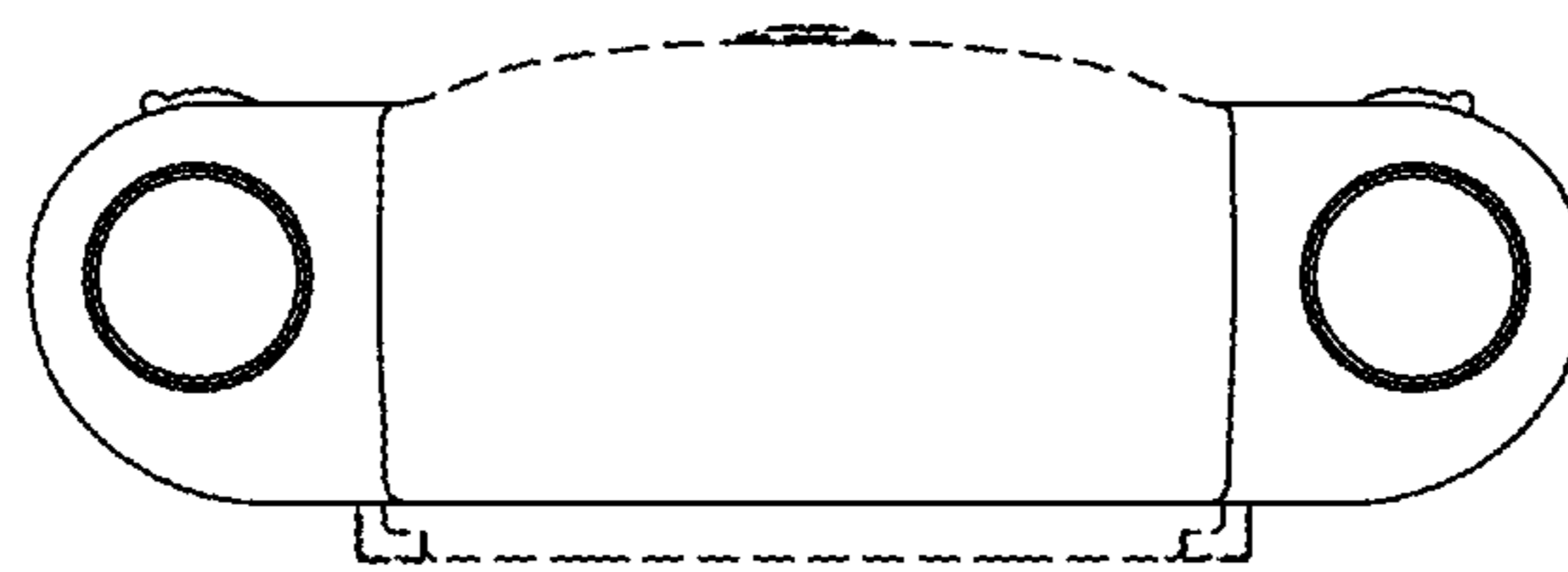


FIG. 4

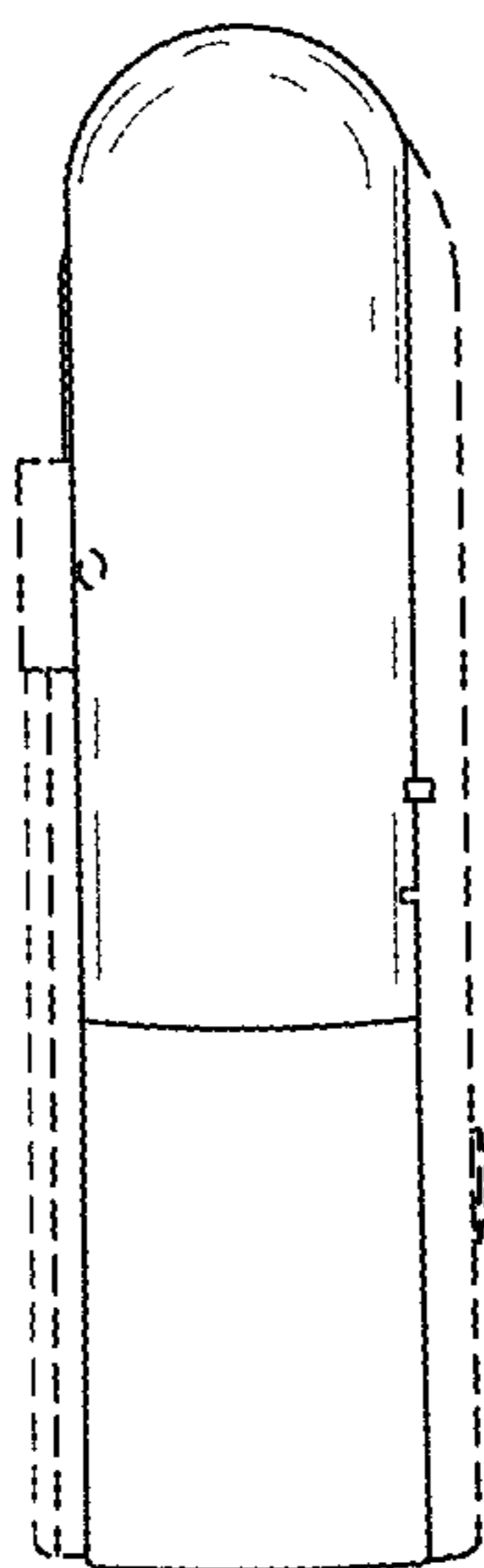


FIG. 5

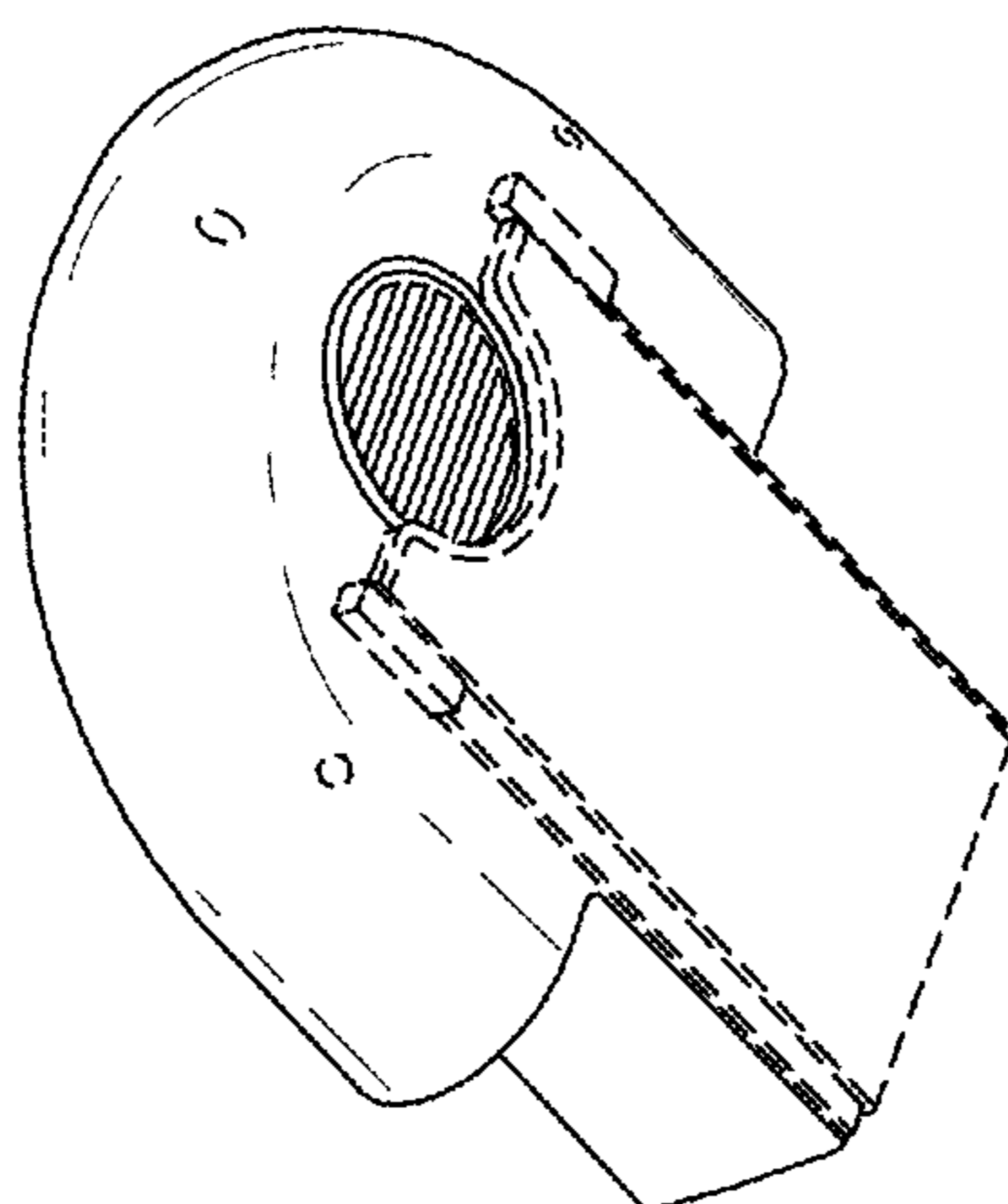


FIG. 6

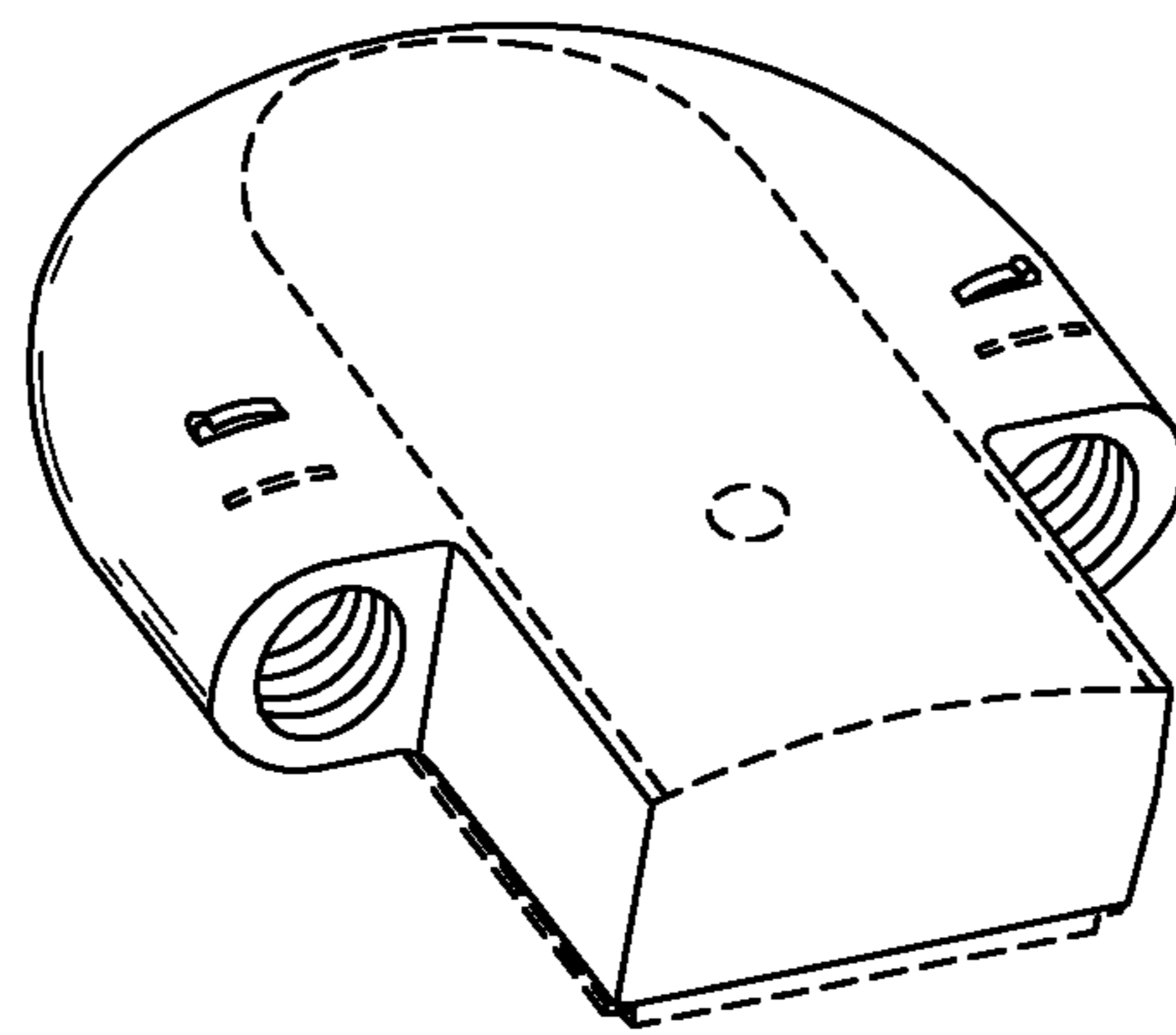


FIG. 7

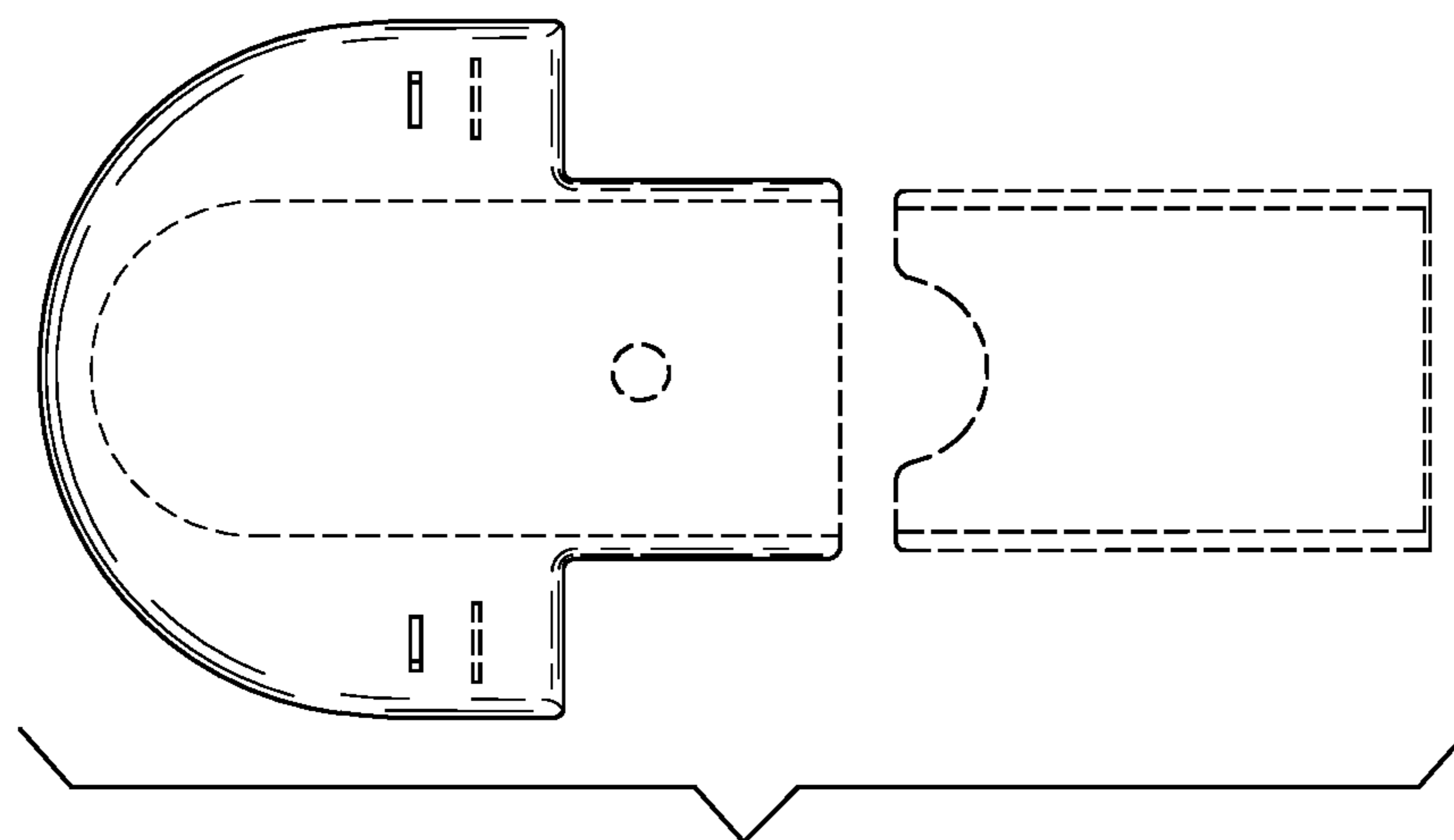


FIG. 8

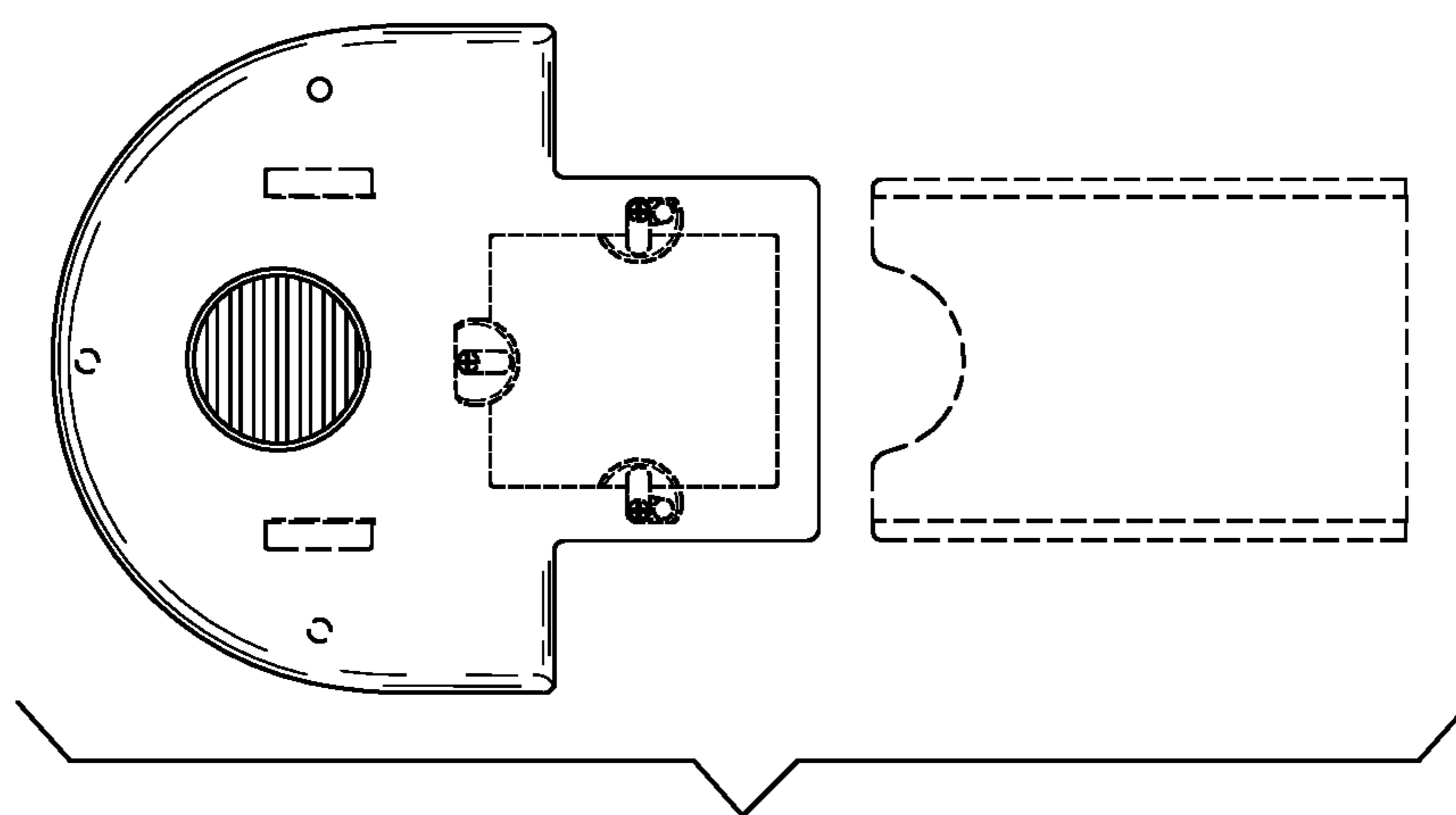


FIG. 9