



US00D889624S

(12) **United States Design Patent**
Vicondo Fontanella et al.

(10) **Patent No.:** **US D889,624 S**
(45) **Date of Patent:** **** Jul. 7, 2020**

- (54) **DIFFUSING EVAPORATOR OF ACTIVE SUBSTANCES**
- (71) Applicant: **ZOBELE HOLDING SPA**, Trento (IT)
- (72) Inventors: **Juan Manuel Vicondo Fontanella**, Barcelona (ES); **Joaquim Llorente Alonso**, Barcelona (ES)
- (73) Assignee: **ZOBELE HOLDING SPA** (IT)
- (**) Term: **15 Years**

D559,370 S *	1/2008	Kato	D23/354
D561,887 S *	2/2008	Friedman	D23/366
D606,185 S *	12/2009	Wefler	D23/366
D606,642 S *	12/2009	Weggelaar	D23/366
D610,666 S *	2/2010	Furner	D23/366
D754,317 S *	4/2016	Yasuoka	D23/366
D755,942 S *	5/2016	Kim	D23/364
D799,018 S *	10/2017	Kim	D23/366
D835,765 S *	12/2018	Chen	D23/364
D835,766 S *	12/2018	Chen	D23/364
D837,355 S *	1/2019	Gunnefur	D23/364
D844,767 S *	4/2019	Chen	D23/364
D852,344 S *	6/2019	Hua	D23/364
D857,872 S *	8/2019	Shimada	D23/371

- (21) Appl. No.: **29/672,551**
- (22) Filed: **Dec. 6, 2018**
- (30) **Foreign Application Priority Data**
- Jun. 8, 2018 (ES) 0528447-11
- (51) **LOC (12) Cl.** **23-04**
- (52) **U.S. Cl.**
- USPC **D23/366**
- (58) **Field of Classification Search**
- USPC D23/208, 355-369
- CPC A61L 9/02; A61L 9/03; A61L 9/12; A61L 9/035; A61L 9/125
- See application file for complete search history.

* cited by examiner

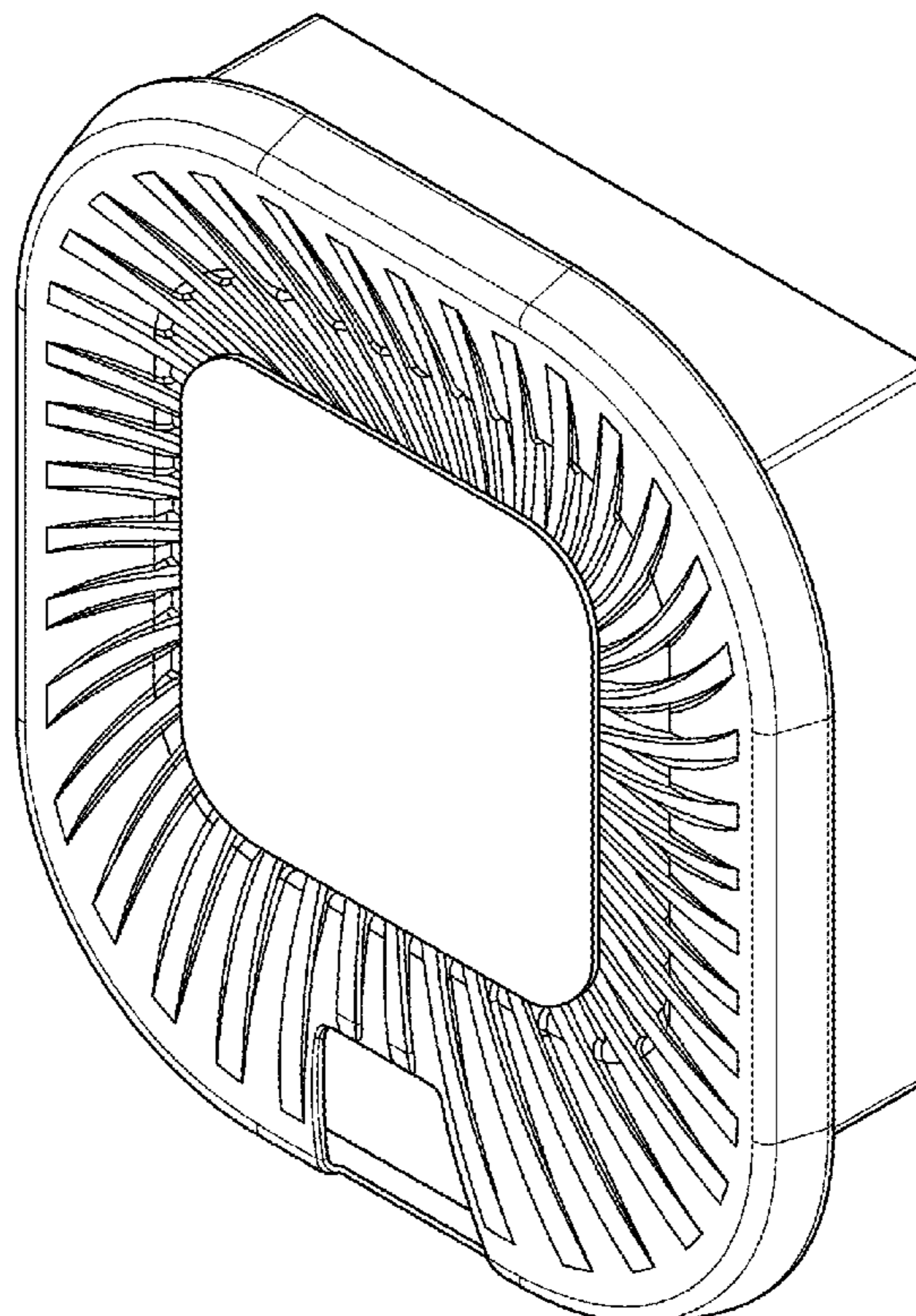
Primary Examiner — Sheryl Lane
Assistant Examiner — Calvin E Vansant
(74) *Attorney, Agent, or Firm* — Ostrolenk Faber LLP

- (56) **References Cited**
- U.S. PATENT DOCUMENTS
- D286,323 S * 10/1986 Haworth D23/366
- D337,816 S * 7/1993 Hogan D23/354

(57) **CLAIM**
The ornamental design for a diffusing evaporator of active substances, as shown and described.

DESCRIPTION
FIG. 1 is a top and side perspective view illustration of a diffusing evaporator of active substances, according to an aspect of the new design;
FIG. 2 is a top view illustration thereof;
FIG. 3 is a side view illustration thereof;
FIG. 4 is another side view illustration thereof;
FIG. 5 is another side view illustration thereof; and,
FIG. 6 is another side view illustration thereof.

1 Claim, 6 Drawing Sheets



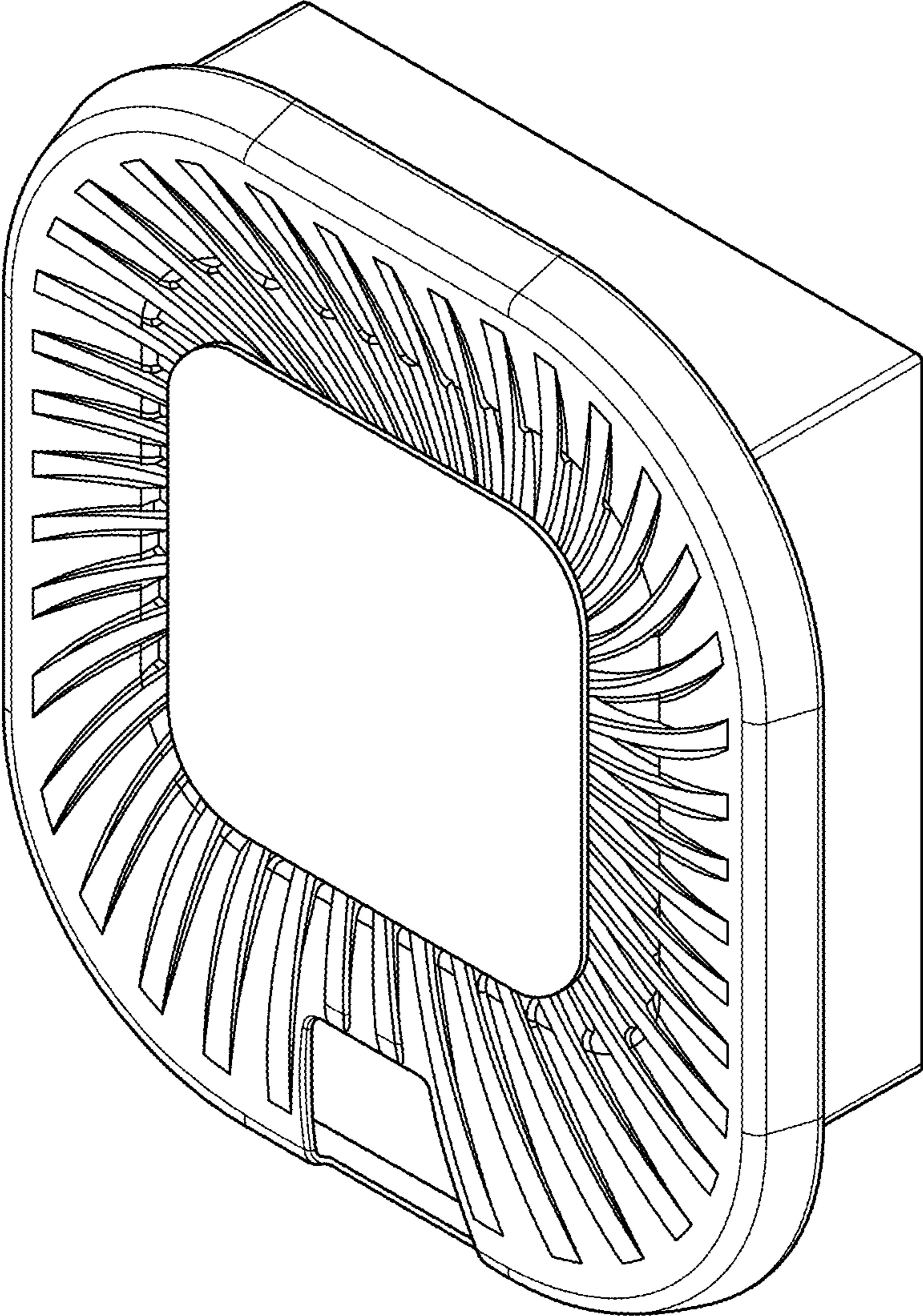


FIG. 1

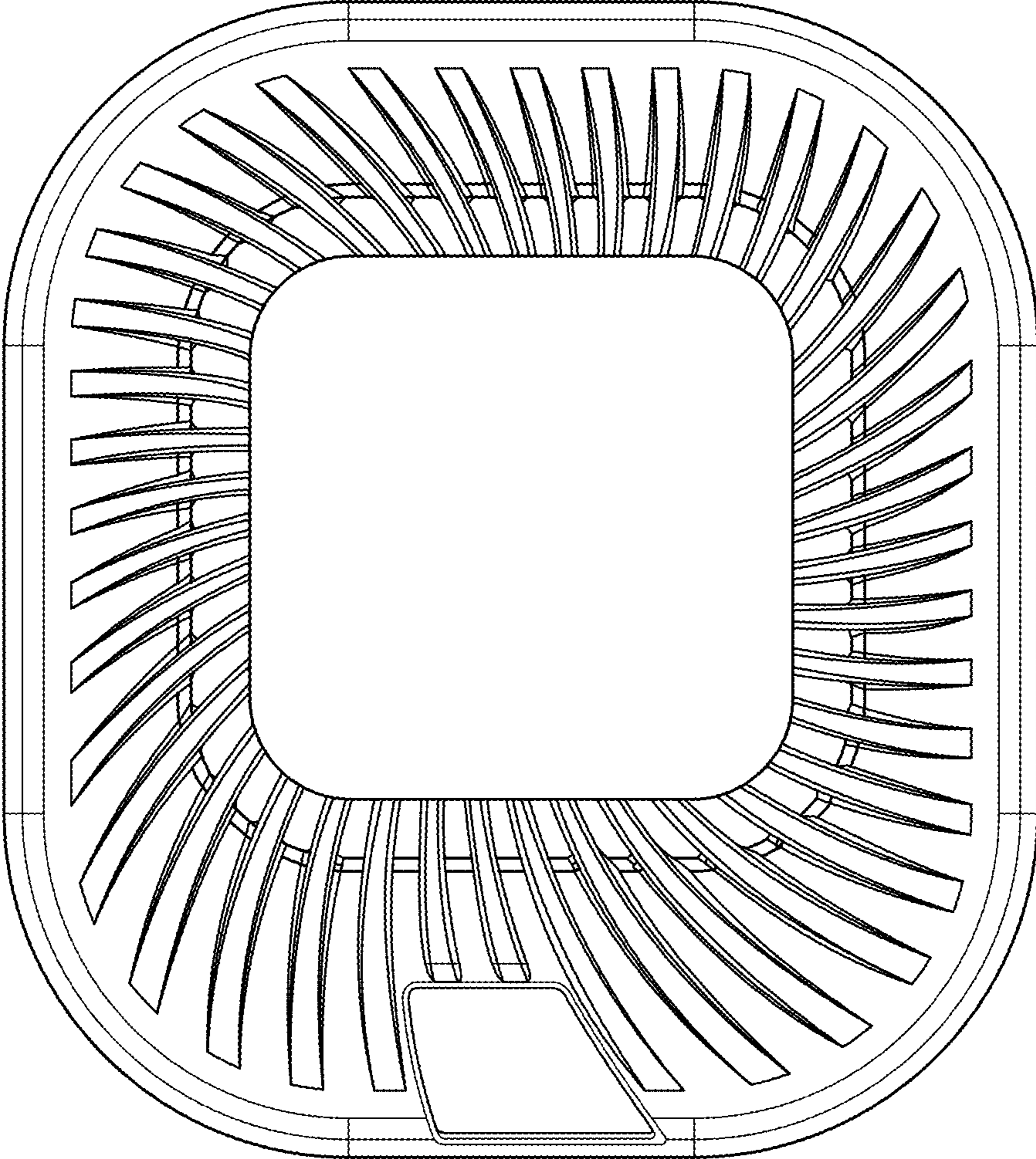


FIG. 2

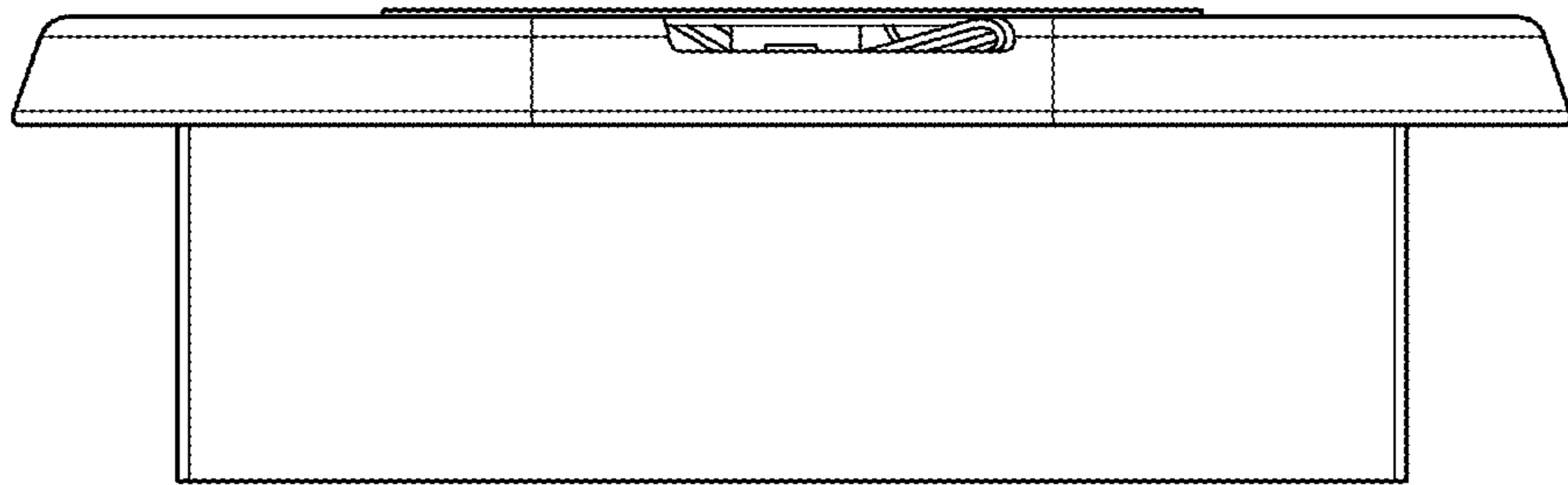


FIG. 3

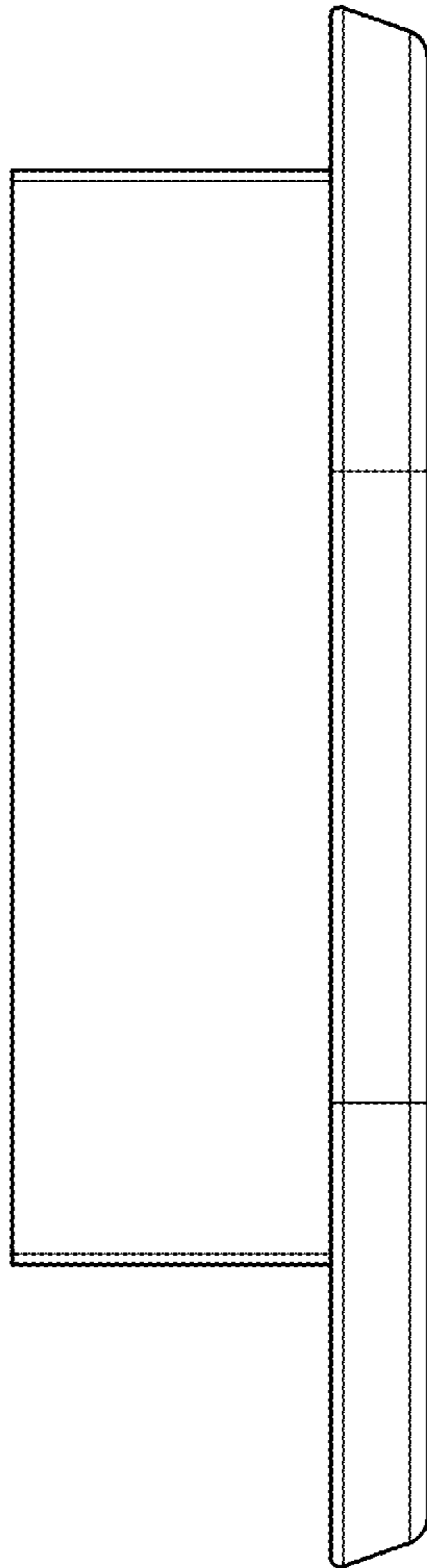


FIG. 4

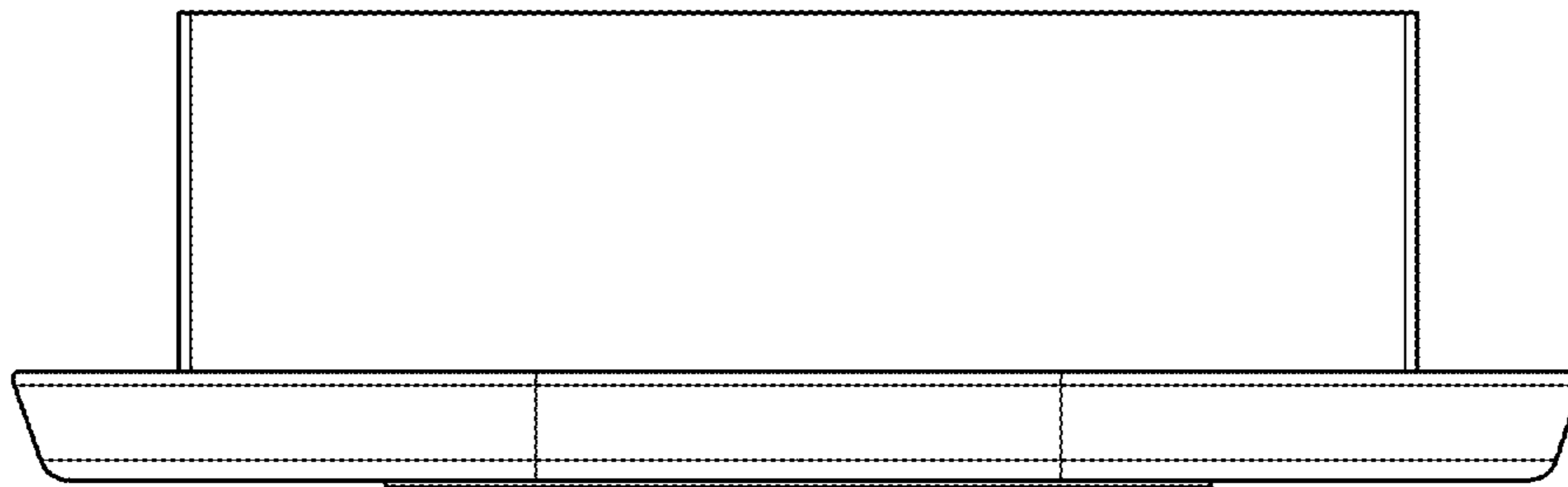


FIG. 5

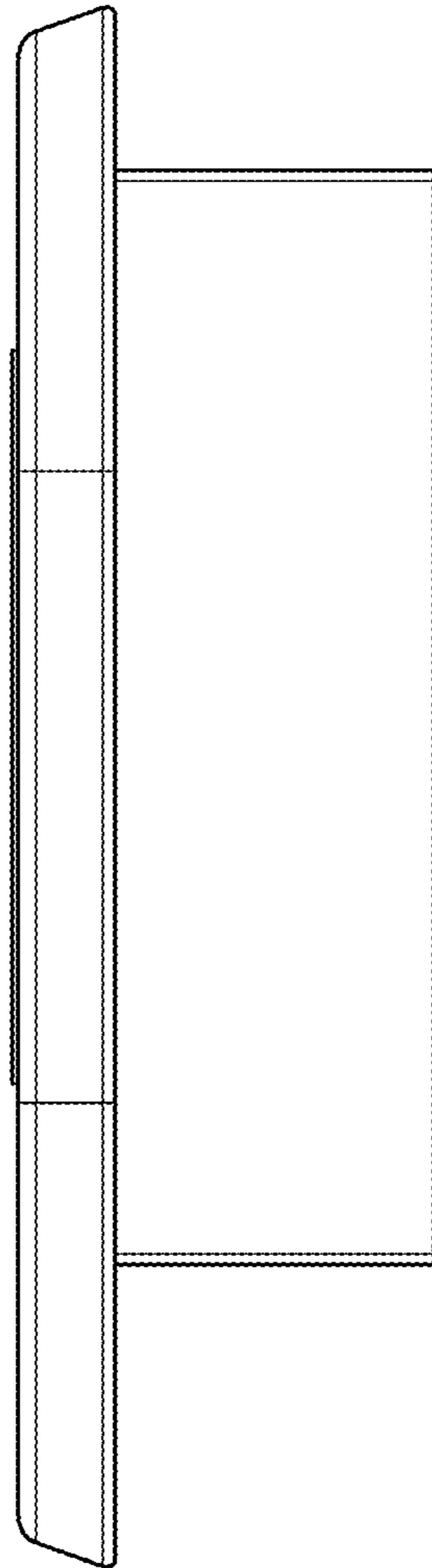


FIG. 6