



US00D889623S

(12) **United States Design Patent** (10) **Patent No.:** **US D889,623 S**
Graus Ferrer et al. (45) **Date of Patent:** **** Jul. 7, 2020**

(54) **DIFFUSING EVAPORATOR OF ACTIVE SUBSTANCES**
 (71) Applicant: **ZOBELE HOLDING SPA**, Trento (IT)
 (72) Inventors: **Alba Graus Ferrer**, Barcelona (ES);
Joaquim Llorente Alonso, Barcelona (ES)
 (73) Assignee: **ZOBELE HOLDING SPA** (IT)

D572,712 S * 7/2008 Ledbetter D13/110
 D573,946 S * 7/2008 Ledbetter D13/110
 D659,095 S * 5/2012 McManigal D13/110
 D678,187 S * 3/2013 Huang D13/103
 D682,202 S * 5/2013 Weaver, Jr. D13/108
 D725,591 S * 3/2015 Chien H02J 7/0044
 D741,796 S * 10/2015 Robinson D13/103
 D804,419 S * 12/2017 Hayes D13/139.4
 D816,026 S * 4/2018 Georgiades D13/108
 D860,952 S * 9/2019 Akana D13/147
 D866,471 S * 11/2019 Xu D13/137.2
 2009/0237031 A1 * 9/2009 McSweyn H02J 7/0044
 320/114

(**) Term: **15 Years**

(21) Appl. No.: **29/672,534**

(22) Filed: **Dec. 6, 2018**

(30) **Foreign Application Priority Data**

Jun. 8, 2018 (ES) 0528447-8

(51) **LOC (12) Cl.** **23-04**

(52) **U.S. Cl.**
USPC **D23/366**

(58) **Field of Classification Search**
USPC D23/201, 208, 355-369, 386
CPC A61L 9/02; A61L 9/03; A61L 9/12; A61L
9/035; A61L 9/125
See application file for complete search history.

(56) **References Cited**

U.S. PATENT DOCUMENTS

D357,311 S * 4/1995 Yehl D23/364
 D452,842 S * 1/2002 Kajiwara D13/110
 D565,558 S * 4/2008 Liu D14/240

* cited by examiner

Primary Examiner — Sheryl Lane

Assistant Examiner — Calvin E Vansant

(74) *Attorney, Agent, or Firm* — Ostrolenk Faber LLP

(57) **CLAIM**

The ornamental design for a diffusing evaporator of active substances, as shown and described.

DESCRIPTION

FIG. 1 is a front, top and side perspective view illustration of a diffusing evaporator of active substances, according to the new design;

FIG. 2 is a front view illustration thereof;

FIG. 3 is a side view illustration thereof;

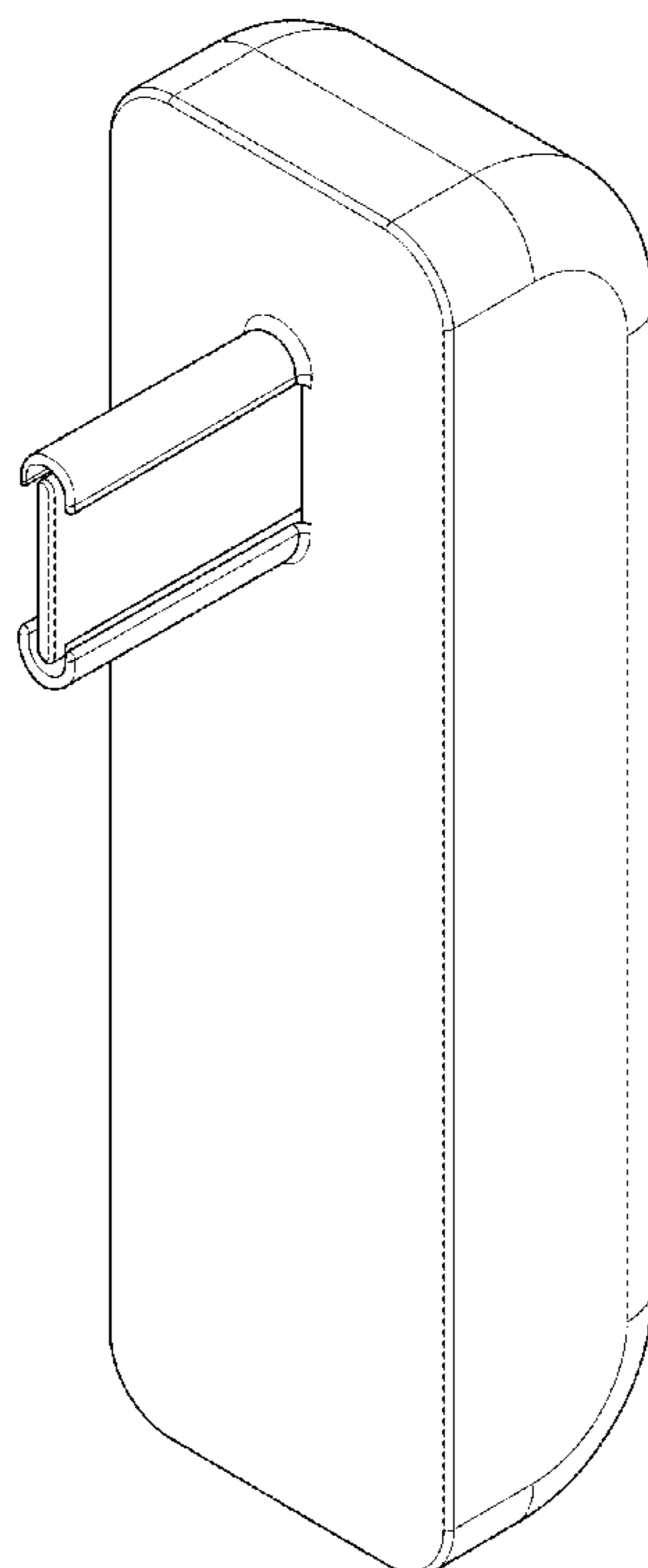
FIG. 4 is a bottom view illustration thereof;

FIG. 5 is another side view illustration thereof; and,

FIG. 6 is a top view illustration thereof.

The rear view is a mirror image of the front view.

1 Claim, 6 Drawing Sheets



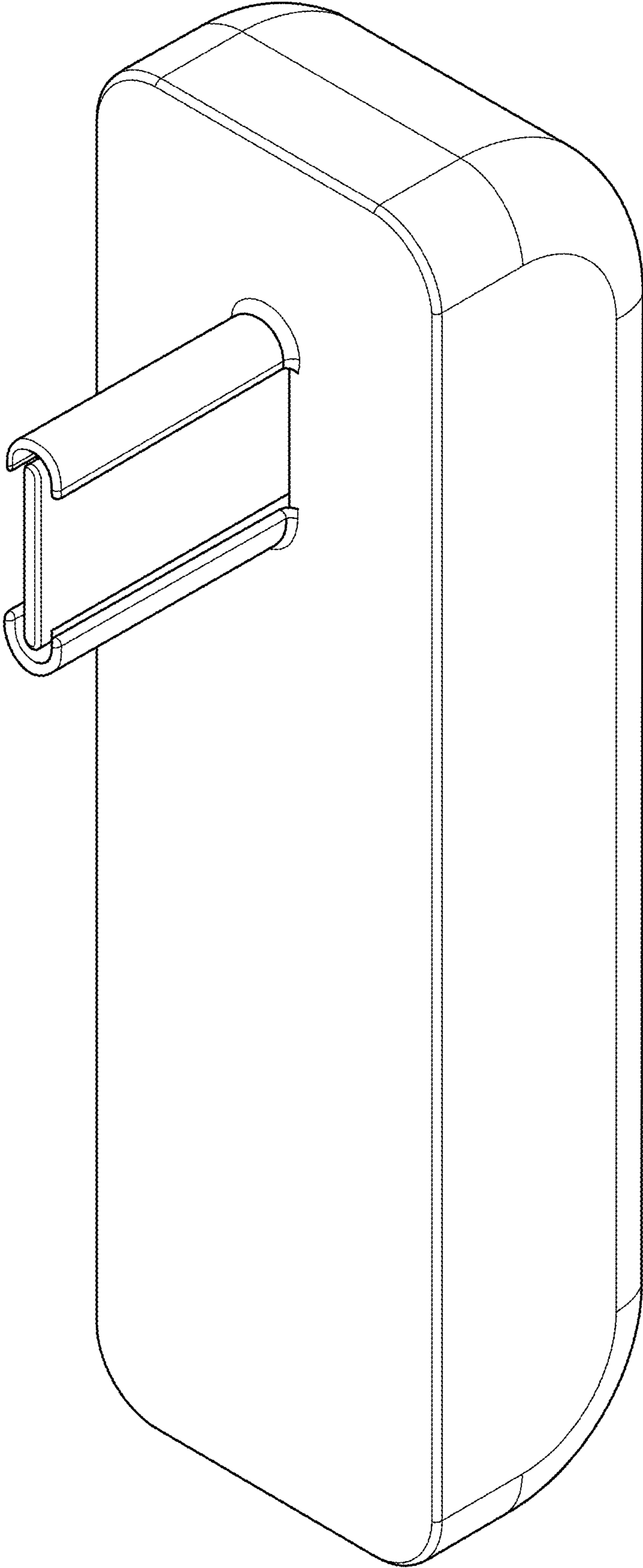


FIG. 1

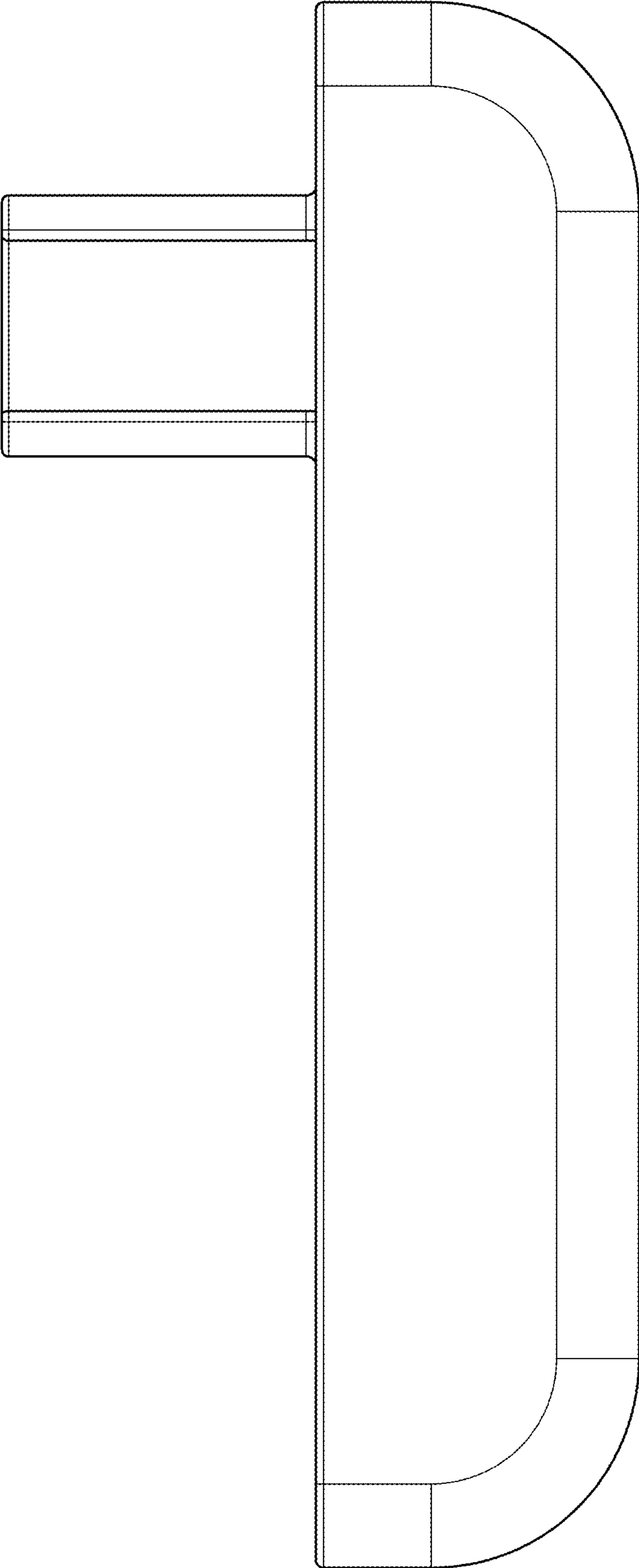


FIG. 2

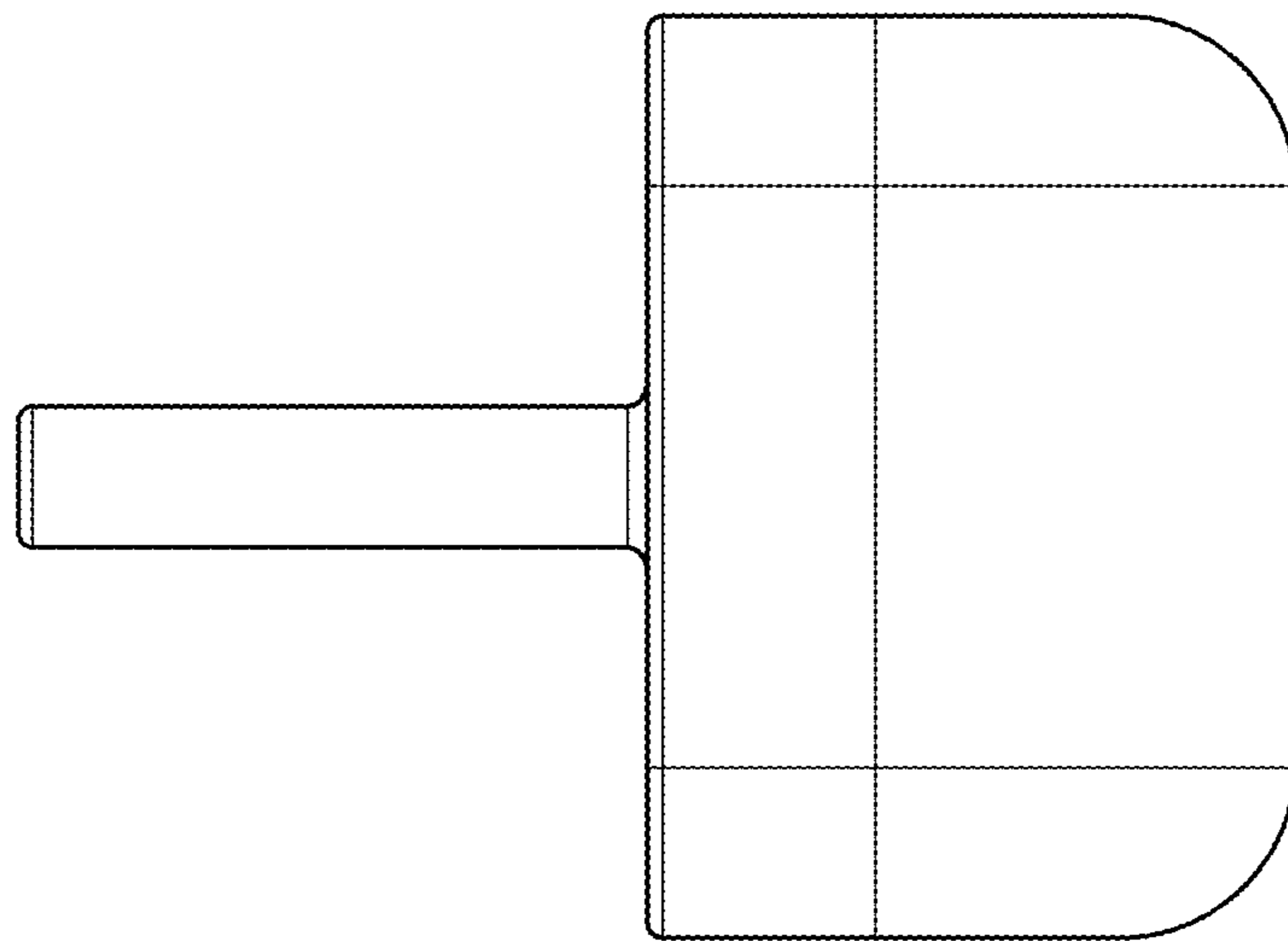


FIG. 3

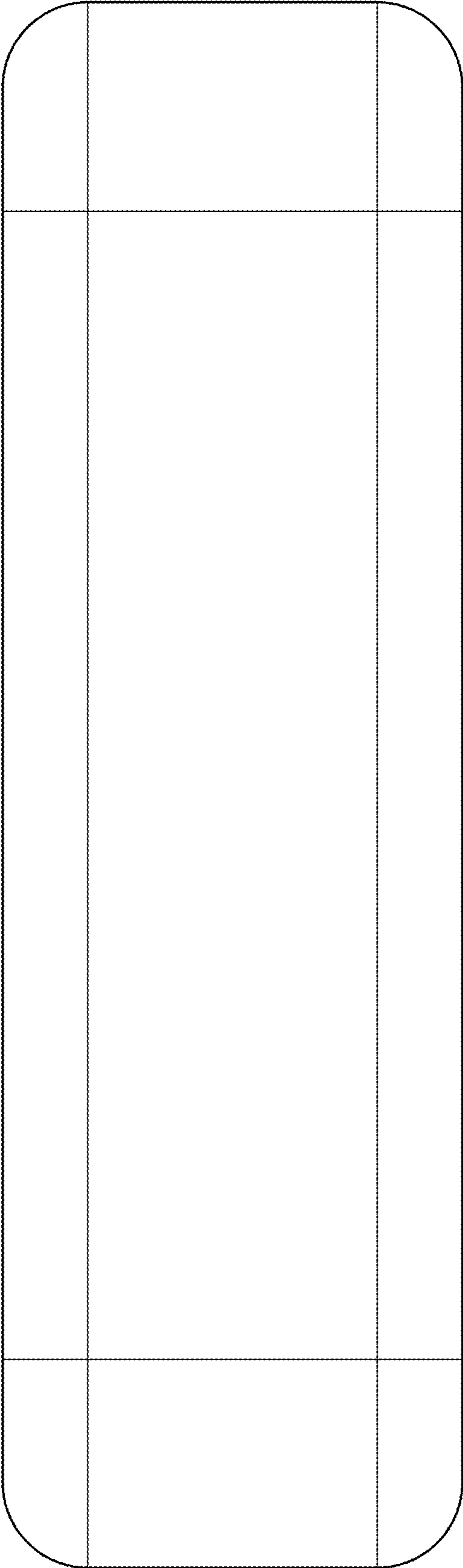


FIG. 4

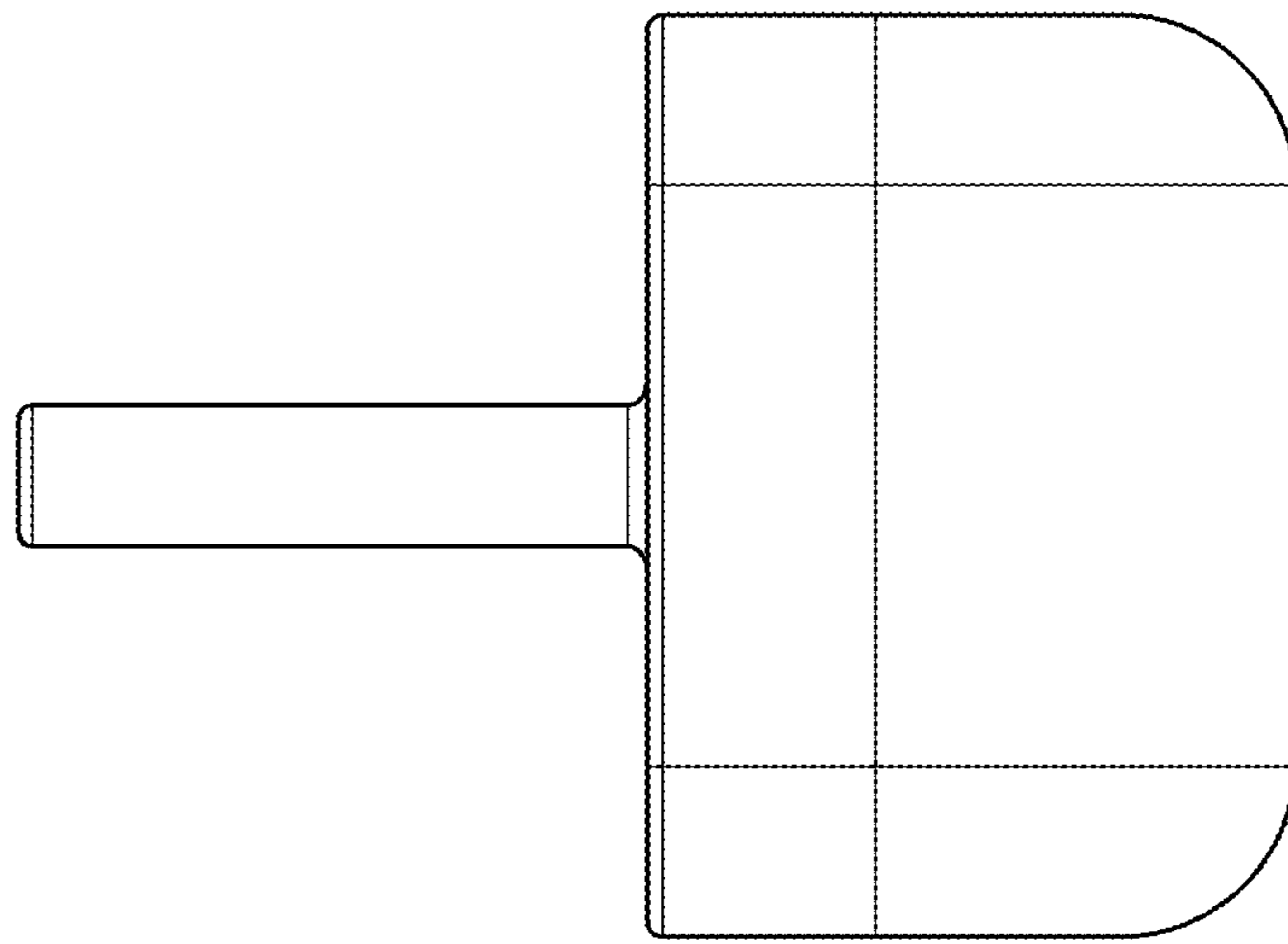


FIG. 5

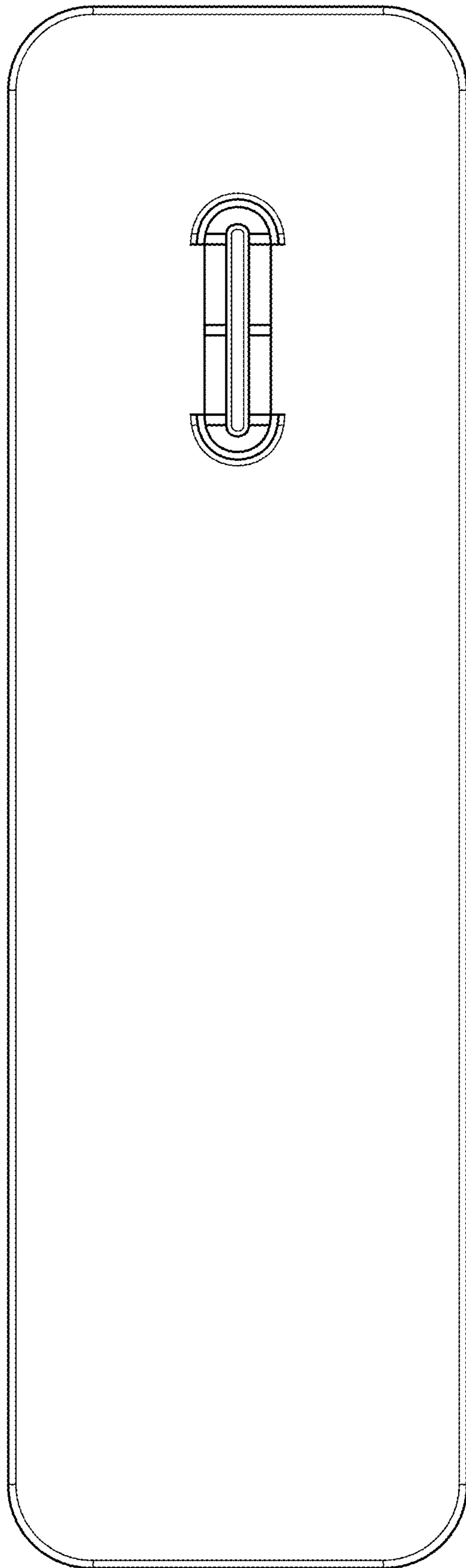


FIG. 6