



US00D889622S

(12) **United States Design Patent**
Gobber et al.

(10) **Patent No.:** **US D889,622 S**

(45) **Date of Patent:** **** Jul. 7, 2020**

(54) **DIFFUSING EVAPORATOR OF ACTIVE SUBSTANCES**

(71) Applicant: **Zobe Holding SPA**, Trento (IT)

(72) Inventors: **Cedric Gobber**, Barcelona (ES);
Joaquim Llorente Alonso, Barcelona (ES)

(73) Assignee: **ZOBELE HOLDING S.P.A.** (IT)

(**) Term: **15 Years**

(21) Appl. No.: **29/671,238**

(22) Filed: **Nov. 26, 2018**

(30) **Foreign Application Priority Data**

May 24, 2018 (ES) 0528368

(51) **LOC (12) Cl.** **23-04**

(52) **U.S. Cl.**
USPC **D23/366**

(58) **Field of Classification Search**
USPC D23/201, 208, 355-369, 386
CPC A61L 9/02; A61L 9/03; A61L 9/12; A61L
9/035; A61L 9/125
See application file for complete search history.

(56) **References Cited**

U.S. PATENT DOCUMENTS

D442,683 S * 5/2001 Wu D23/366
D532,506 S * 11/2006 Caserta D23/366

D612,472 S * 3/2010 Rossi D23/366
D763,430 S * 8/2016 Shin D23/368
D806,219 S * 12/2017 Gobber D23/366
D816,823 S * 5/2018 Gobber D23/366
D849,923 S * 5/2019 Gobber D23/368

* cited by examiner

Primary Examiner — Sheryl Lane

Assistant Examiner — Calvin E Vansant

(74) *Attorney, Agent, or Firm* — Ostrolenk Faber LLP

(57) **CLAIM**

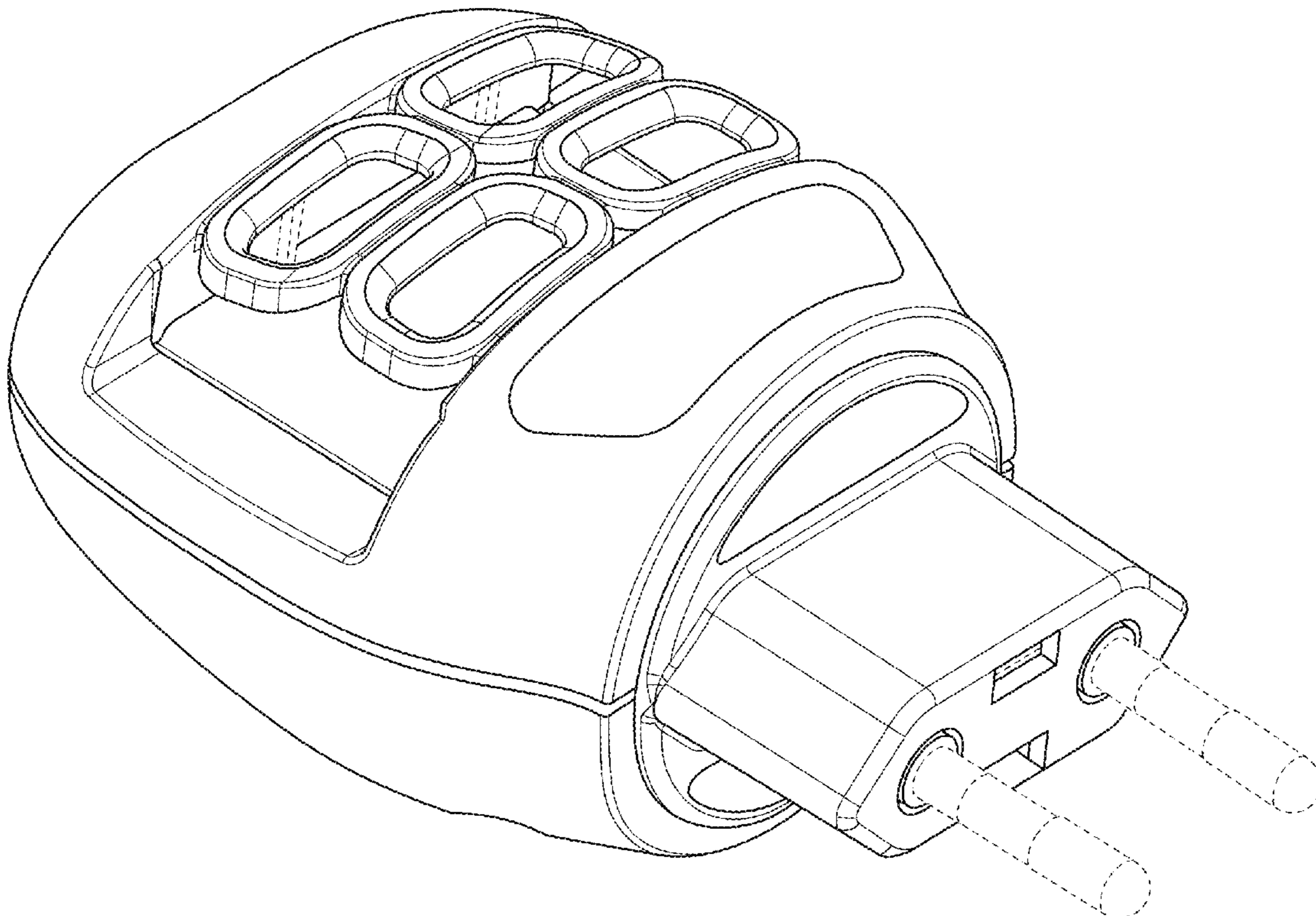
The ornamental design for a diffusing evaporator of active substances, as shown and described.

DESCRIPTION

FIG. 1 is a top, rear and left side view perspective illustration of a diffusing evaporator of active substances, according to an aspect of the new design;
FIG. 2 is a left side view illustration thereof;
FIG. 3 is a top view illustration thereof;
FIG. 4 is a front view illustration thereof;
FIG. 5 is a bottom view illustration thereof;
FIG. 6 is a front view illustration thereof; and,
FIG. 7 is a bottom, rear and right side perspective view thereof.

The broken lines depict portions of the diffusing evaporator of active substances that form no part of the claim.

1 Claim, 7 Drawing Sheets



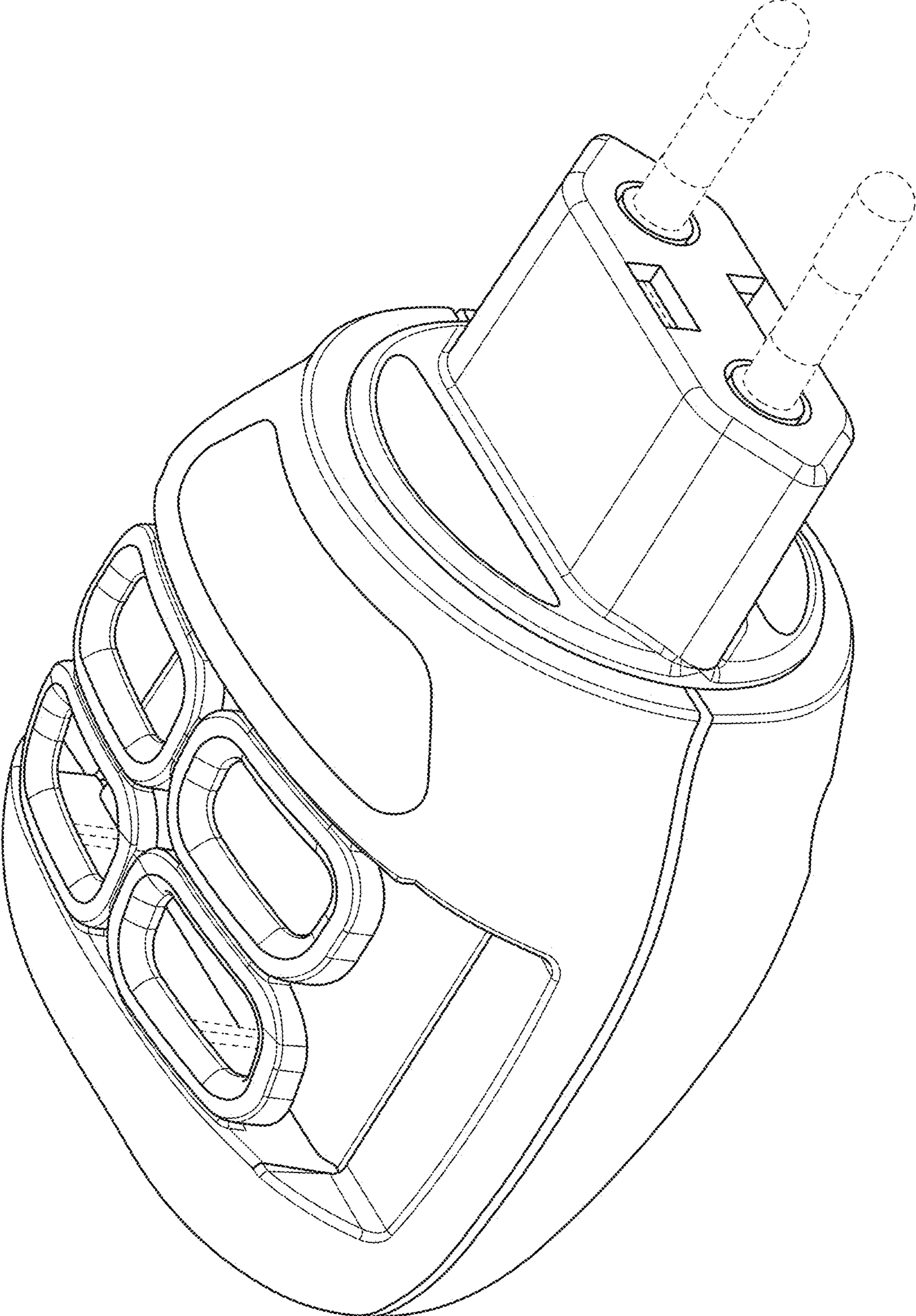


FIG. 1

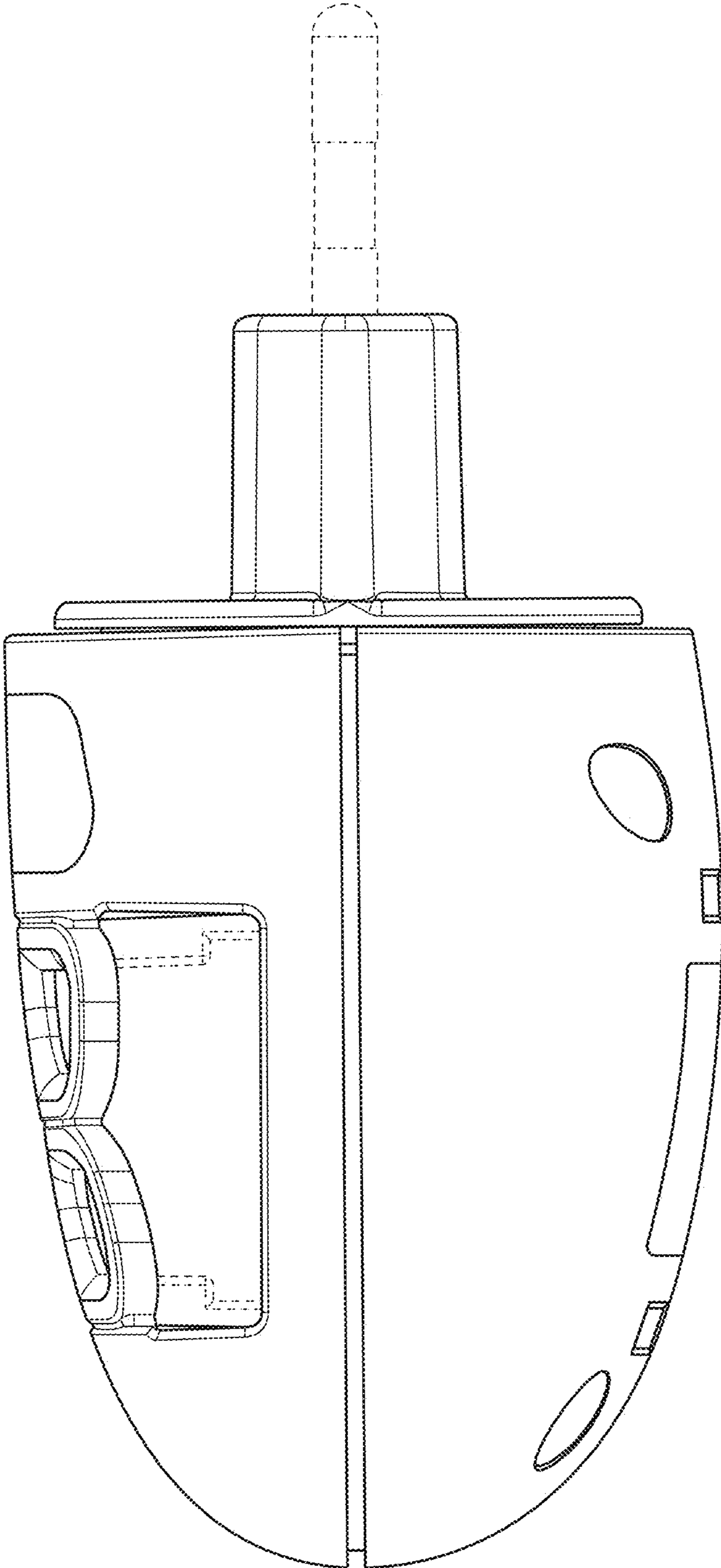


FIG. 2

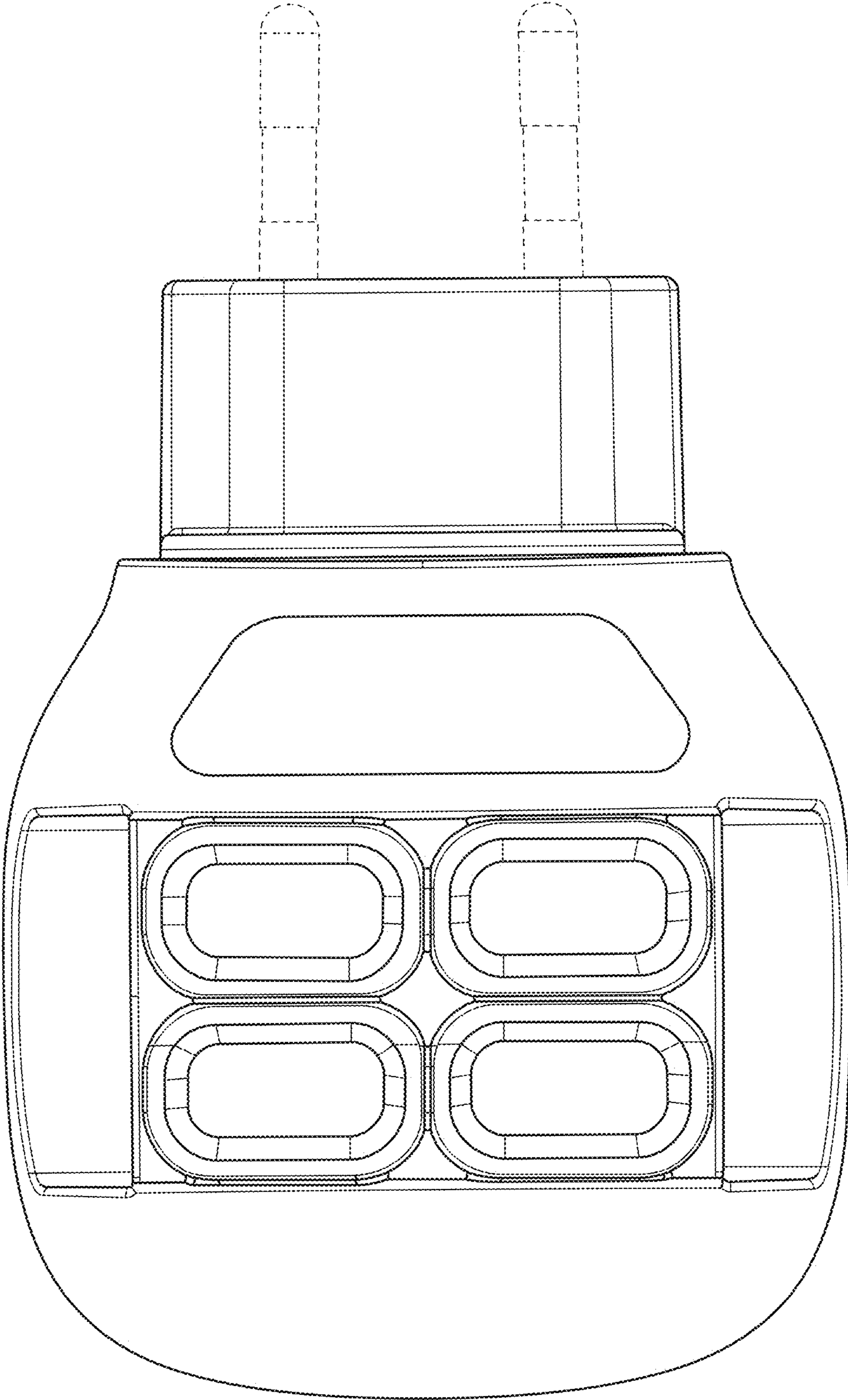


FIG. 3

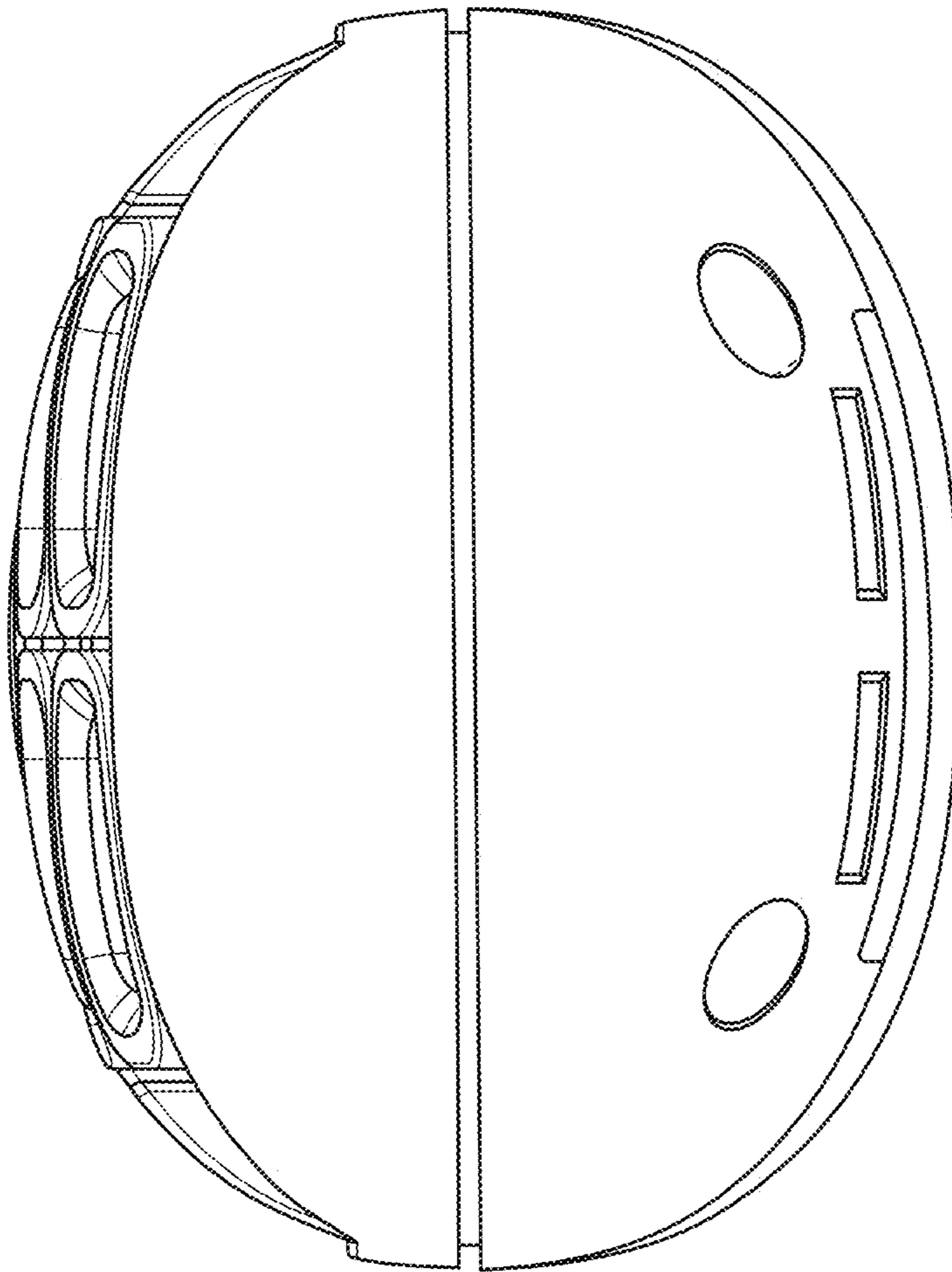


FIG. 4

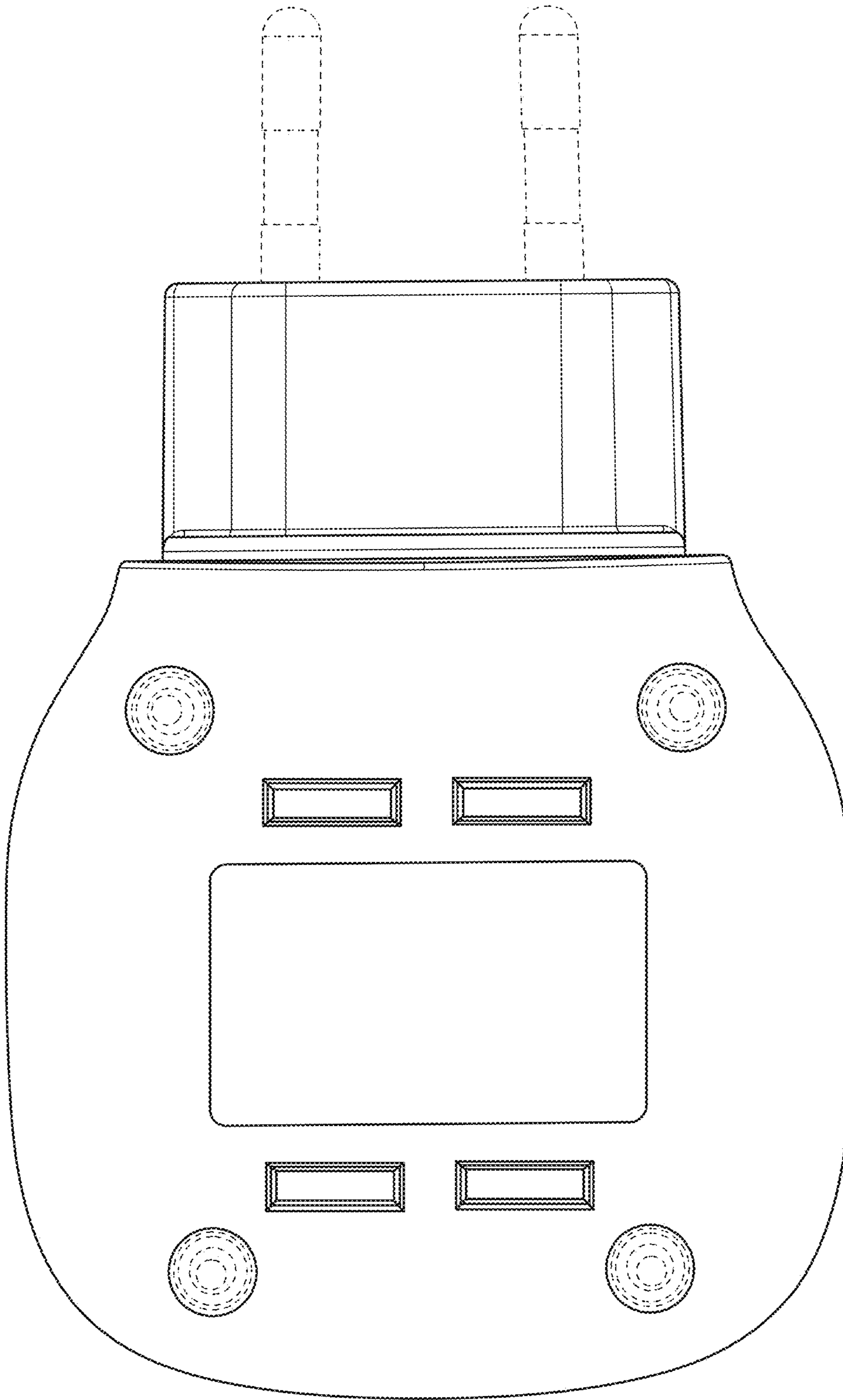


FIG. 5

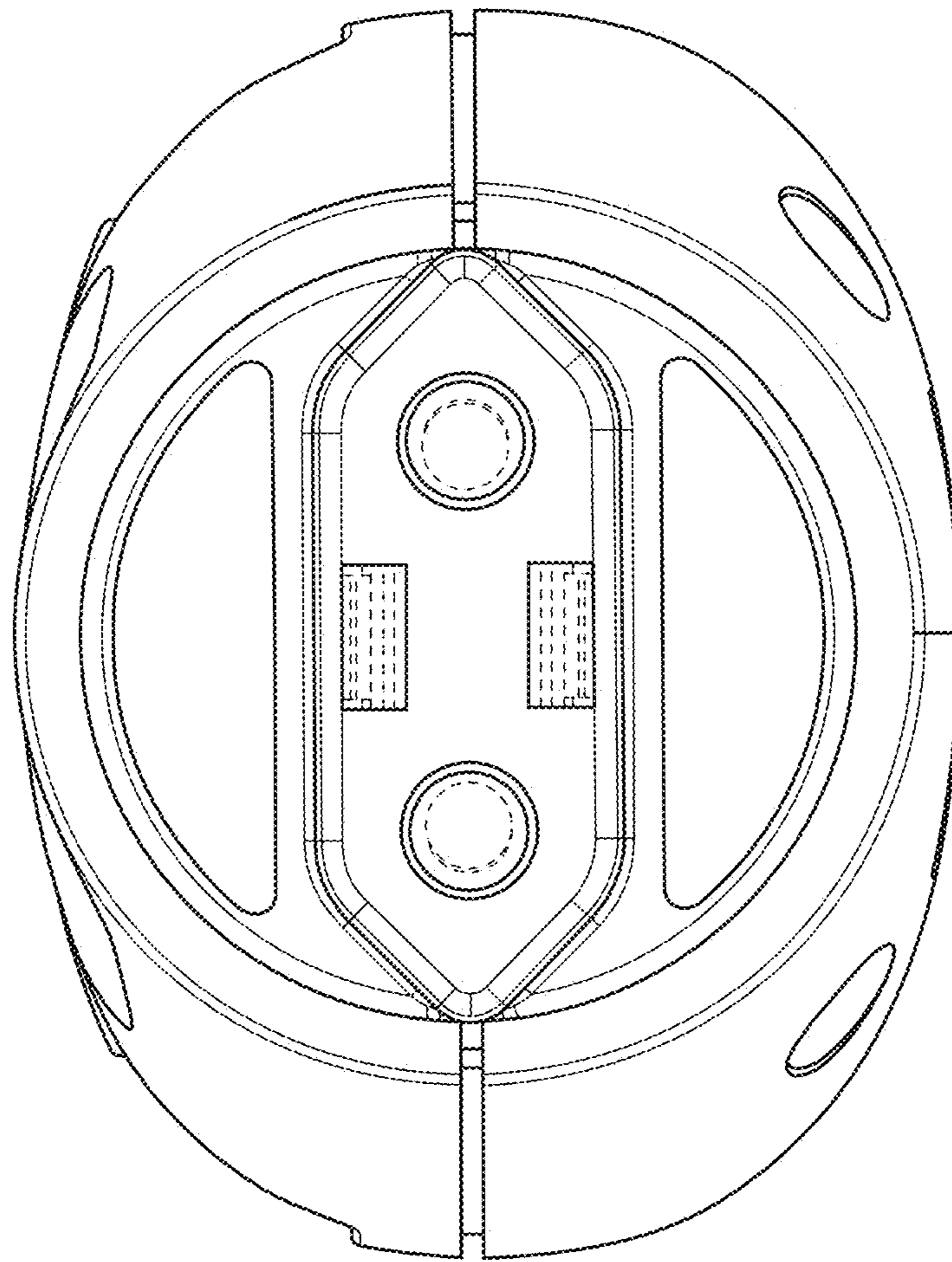


FIG. 6

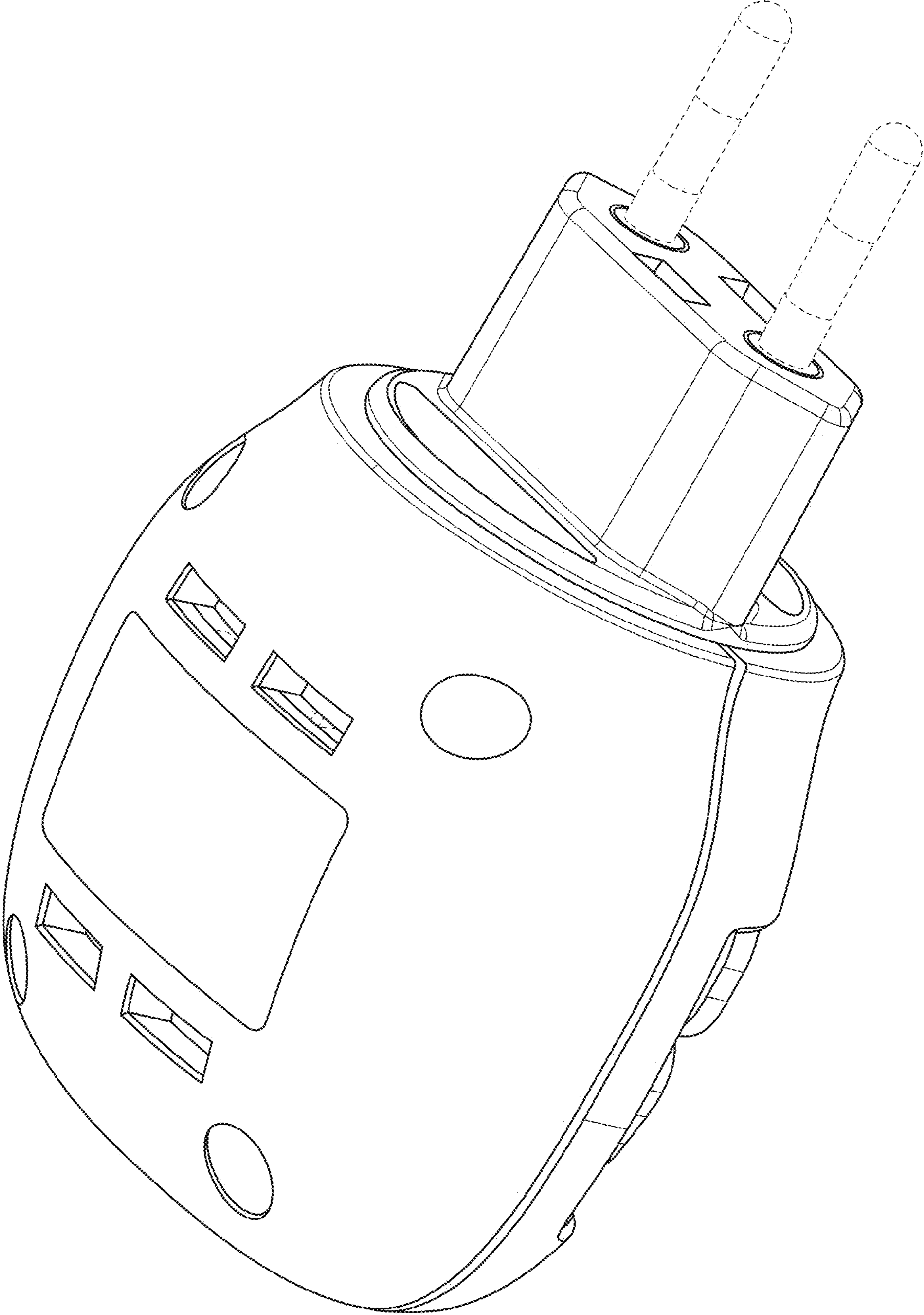


FIG. 7