



US00D889619S

(12) **United States Design Patent**
Ueda et al.

(10) **Patent No.:** **US D889,619 S**
(45) **Date of Patent:** **** Jul. 7, 2020**

(54) **AIR DRYER**

(71) Applicant: **SMC CORPORATION**, Chiyoda-ku
(JP)

(72) Inventors: **Takahiro Ueda**, Moriya (JP); **Takahiro Amemiya**, Moriya (JP); **Keigo Suzuki**, Inzai (JP)

(73) Assignee: **SMC CORPORATION**, Chiyoda-ku
(JP)

(**) Term: **15 Years**

(21) Appl. No.: **29/597,782**

(22) Filed: **Mar. 20, 2017**

(30) **Foreign Application Priority Data**

Sep. 23, 2016 (JP) 2016-020444

(51) **LOC (12) Cl.** **23-04**

(52) **U.S. Cl.**
USPC **D23/355**

(58) **Field of Classification Search**
USPC D23/355-359, 361, 363, 364
CPC B01D 53/00; B01D 53/02; B01D 53/04;
B01D 53/26; B01D 53/002; B01D
53/005; B01D 1/00; B01D 1/02; B01D
1/04; B01D 1/06; B01D 1/22; B01F 3/04
See application file for complete search history.

(56) **References Cited**

U.S. PATENT DOCUMENTS

D258,686 S	*	3/1981	Johnson	D23/364
D311,245 S	*	10/1990	Choi	D23/359
D358,637 S	*	5/1995	Boehme	D23/364
D395,703 S	*	6/1998	Jane	D23/355
D415,857 S	*	10/1999	Ayre	D28/54.1
D440,644 S	*	4/2001	Potnis	D23/359
D503,785 S	*	4/2005	Otaki	D15/79

D503,786 S	*	4/2005	Otaki	D15/79
D503,971 S	*	4/2005	Otaki	D15/79
D522,114 S	*	5/2006	Otaki	D15/79
D572,354 S	*	7/2008	Tsuchiya	D23/355
D645,130 S	*	9/2011	Goldstein	D23/356
D656,601 S	*	3/2012	Roderique	D23/386
8,231,718 B2	*	7/2012	Cho	B01D 46/0089 422/121
D674,474 S	*	1/2013	Rentschler	D23/364
D674,822 S	*	1/2013	Ugumori	D15/79
D696,760 S	*	12/2013	Wolf, II	D23/364
D731,632 S	*	6/2015	Kulp	D23/359
D745,129 S	*	12/2015	Nakagawa	D23/364
D748,235 S	*	1/2016	Yamashita	D23/364
D749,202 S	*	2/2016	Satou	D23/364
D796,654 S	*	9/2017	Baker	D23/328
D803,276 S	*	11/2017	Adjabeng	D15/79

(Continued)

Primary Examiner — Rosemary K Tarcza

Assistant Examiner — Christy M Nemeth

(74) *Attorney, Agent, or Firm* — Oblon, McClelland,
Maier & Neustadt, L.L.P.

(57) **CLAIM**

The ornamental design for an air dryer, as shown and described.

DESCRIPTION

FIG. 1 is a front, top, and left side perspective view of an air dryer;

FIG. 2 is a rear, bottom, and right side perspective view thereof;

FIG. 3 is a front elevational view thereof;

FIG. 4 is a rear elevational view thereof;

FIG. 5 is a top plan view thereof;

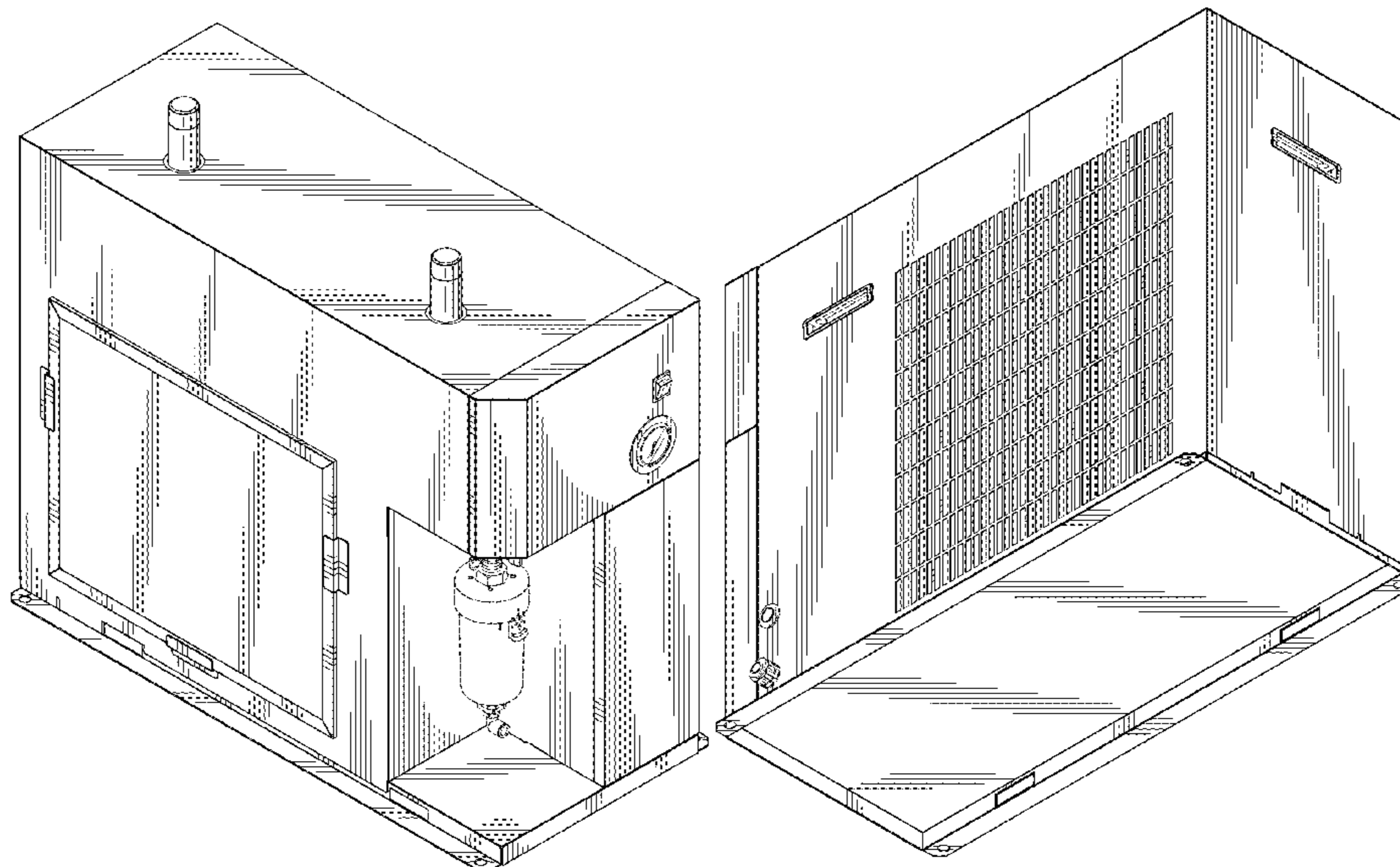
FIG. 6 is a bottom plan view thereof;

FIG. 7 is a left side elevational view thereof; and,

FIG. 8 is a right side elevational view thereof.

The broken lines in the drawings illustrate subject matter that forms no part of the claimed design.

1 Claim, 8 Drawing Sheets



(56)

References Cited

U.S. PATENT DOCUMENTS

D819,190 S *	5/2018	Cormier	D23/355
D822,812 S *	7/2018	Hu	D23/356
D835,247 S *	12/2018	Park	D23/364
D840,012 S *	2/2019	Zhou	D23/359
10,252,213 B2 *	4/2019	Uramoto	B01D 53/26

* cited by examiner

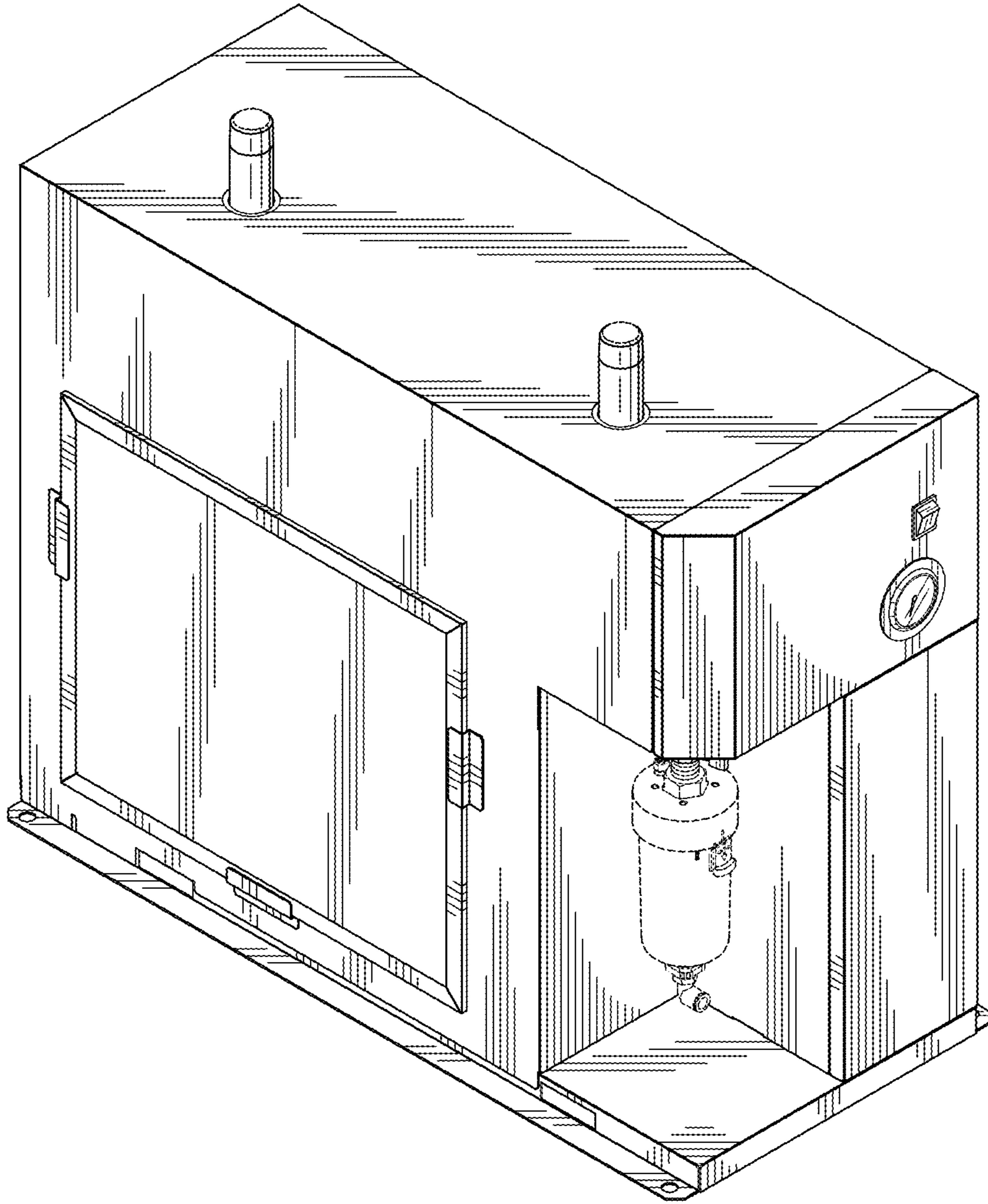


FIG. 1

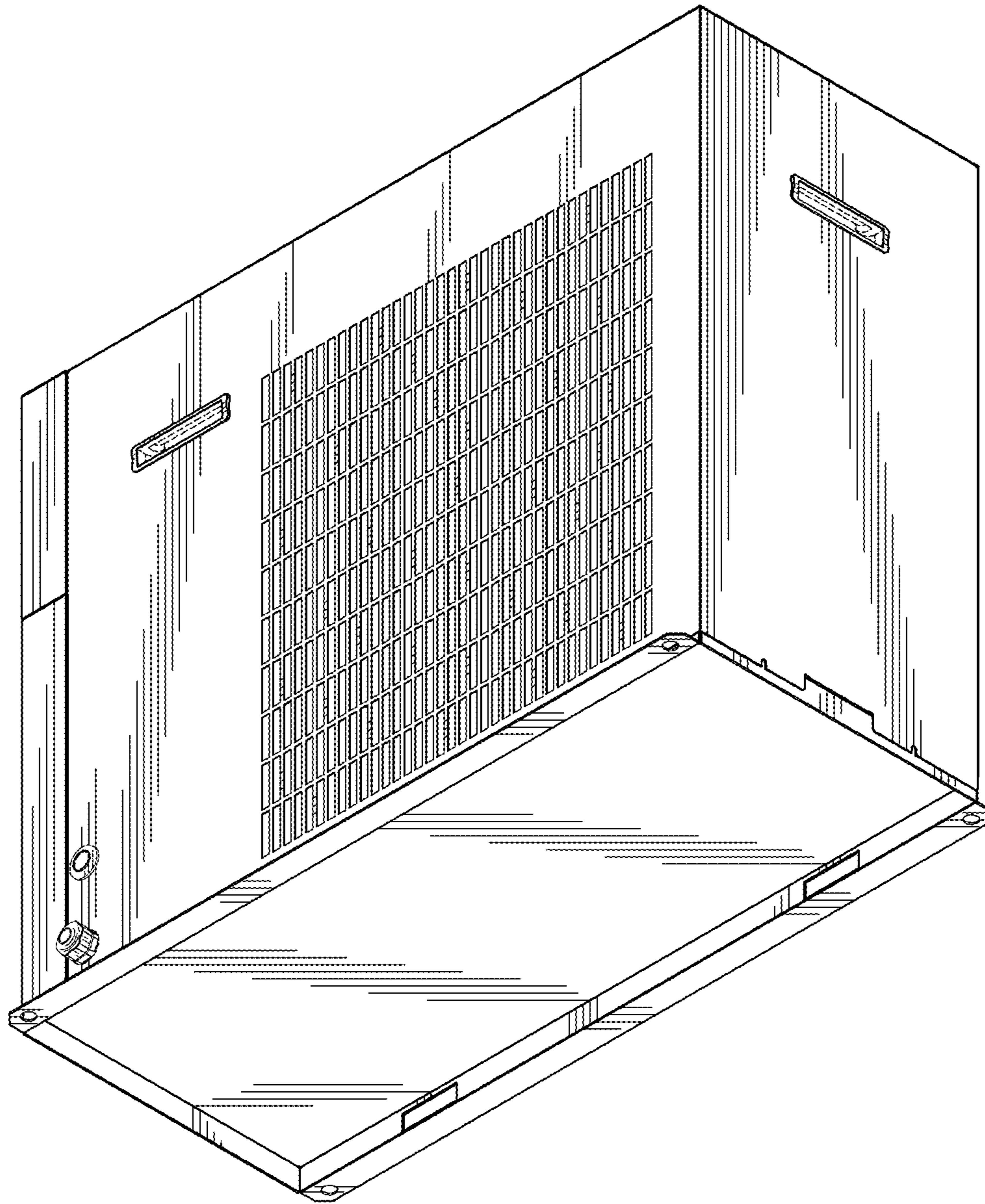


FIG. 2

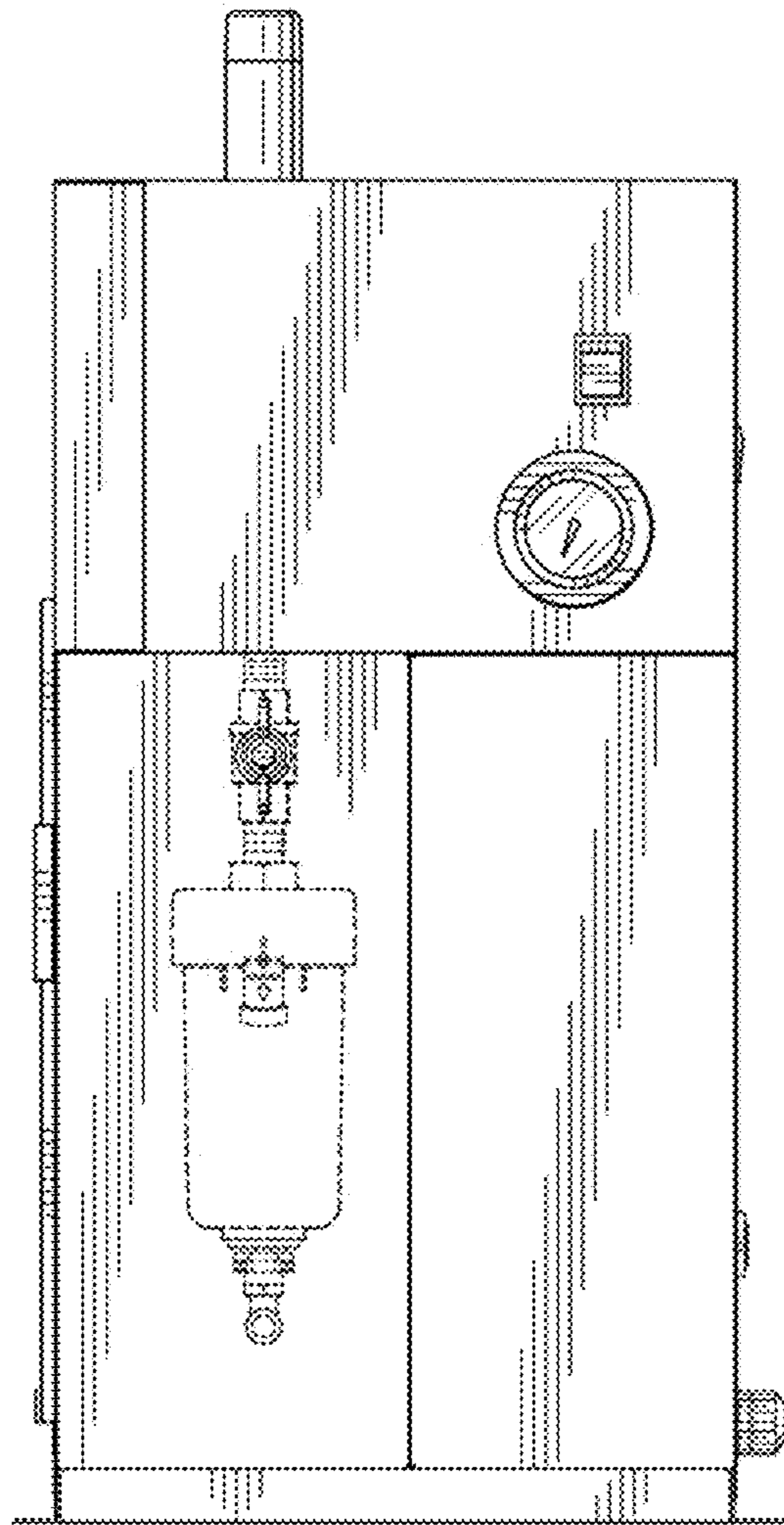


FIG. 3

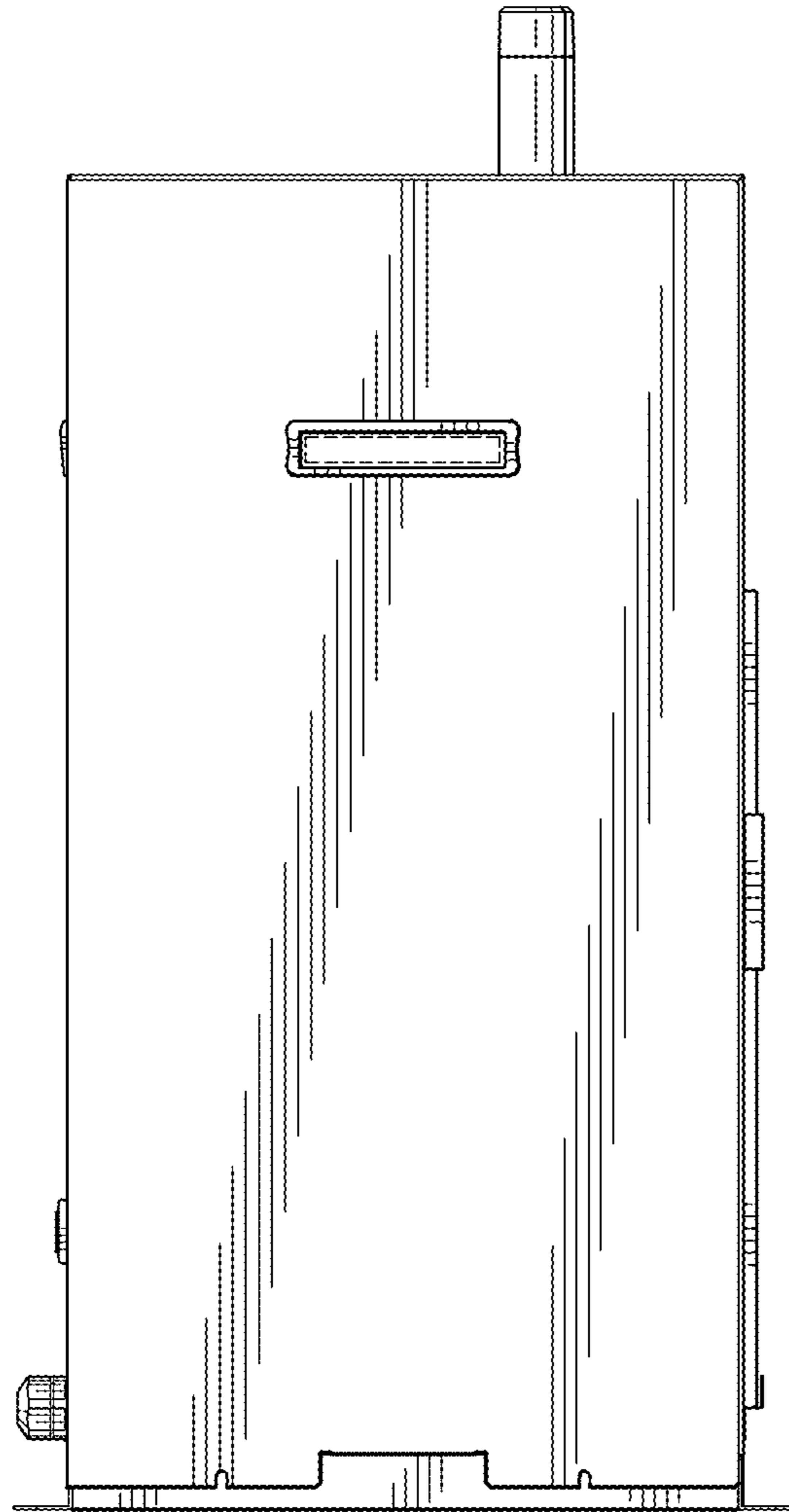


FIG. 4

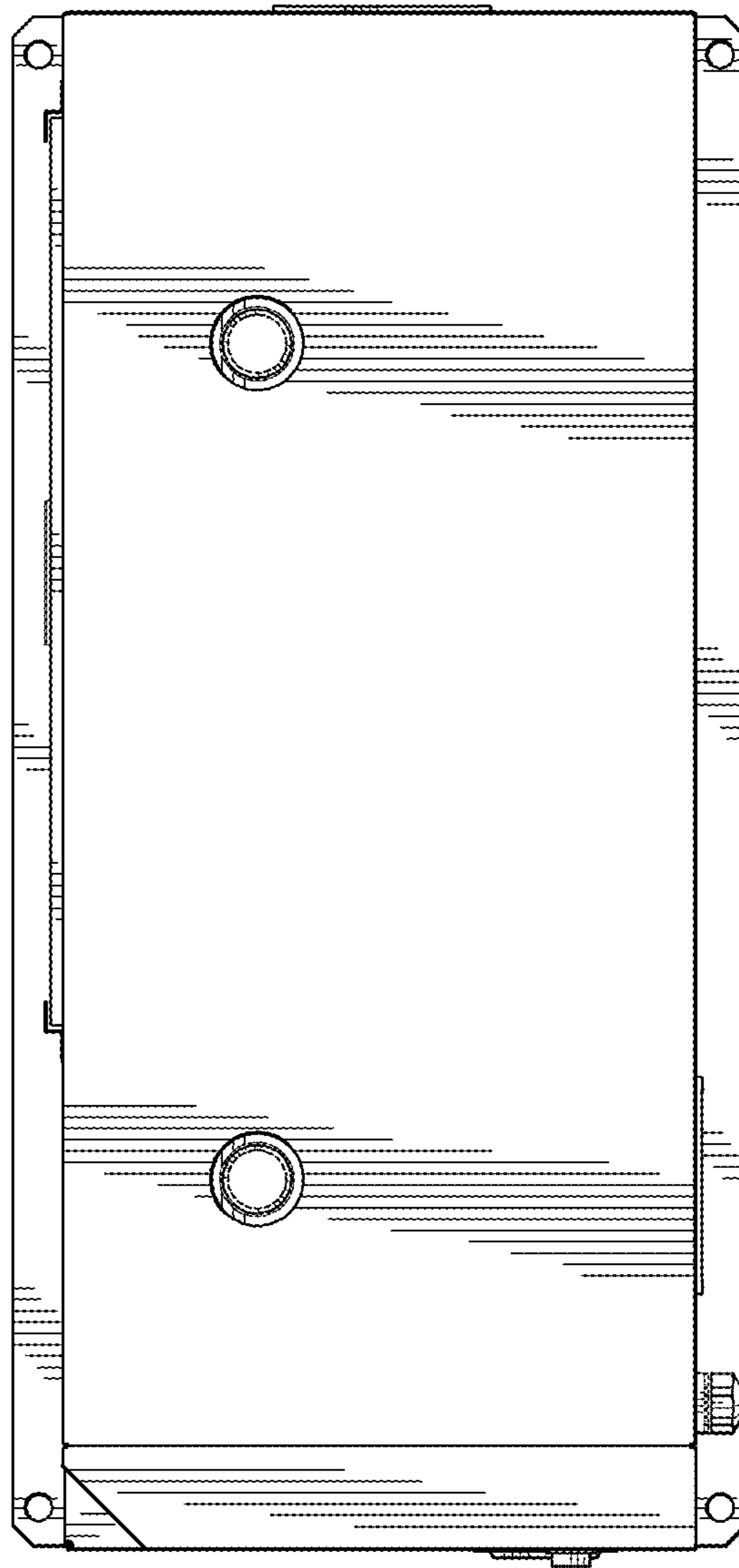


FIG. 5

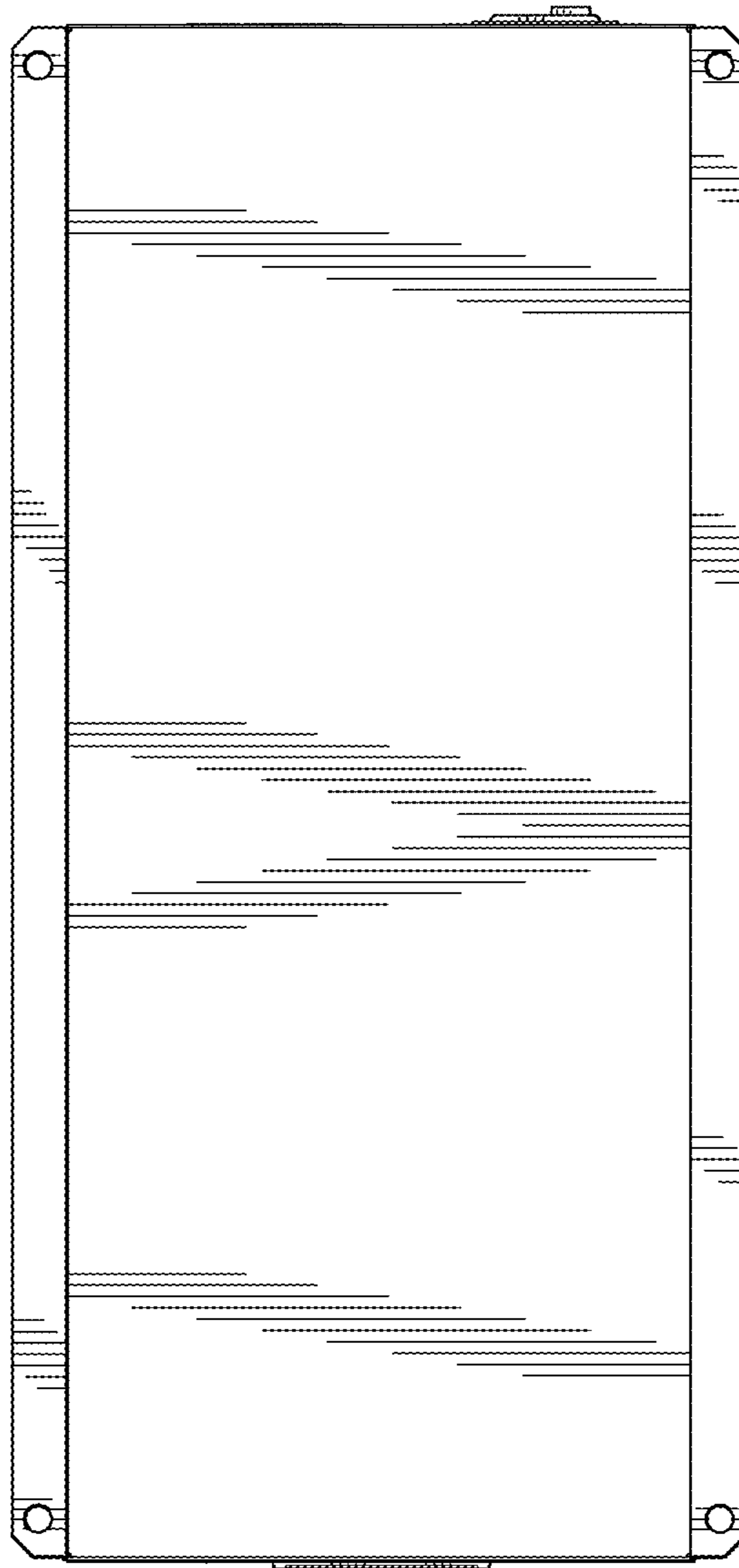


FIG. 6

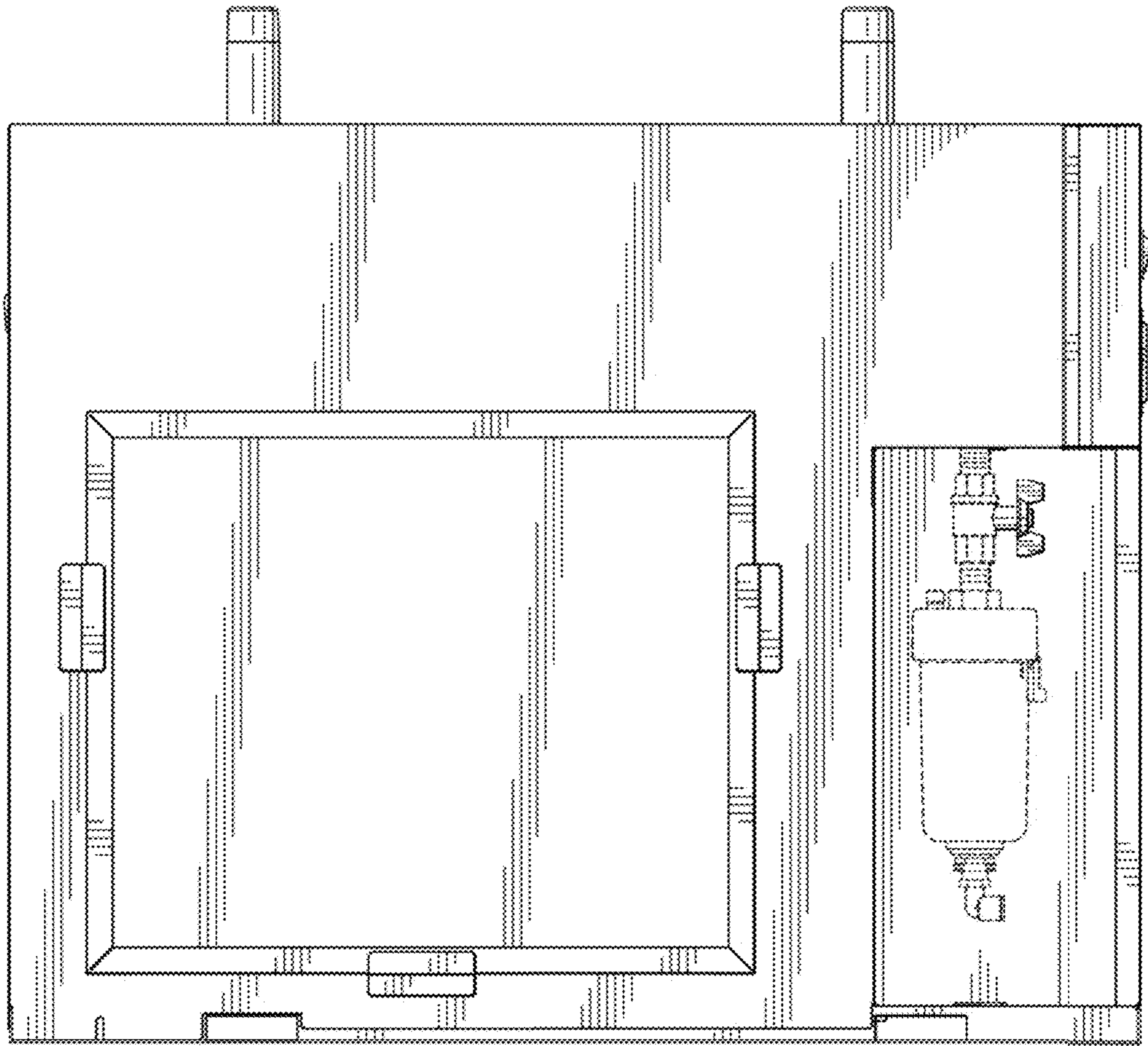


FIG. 7

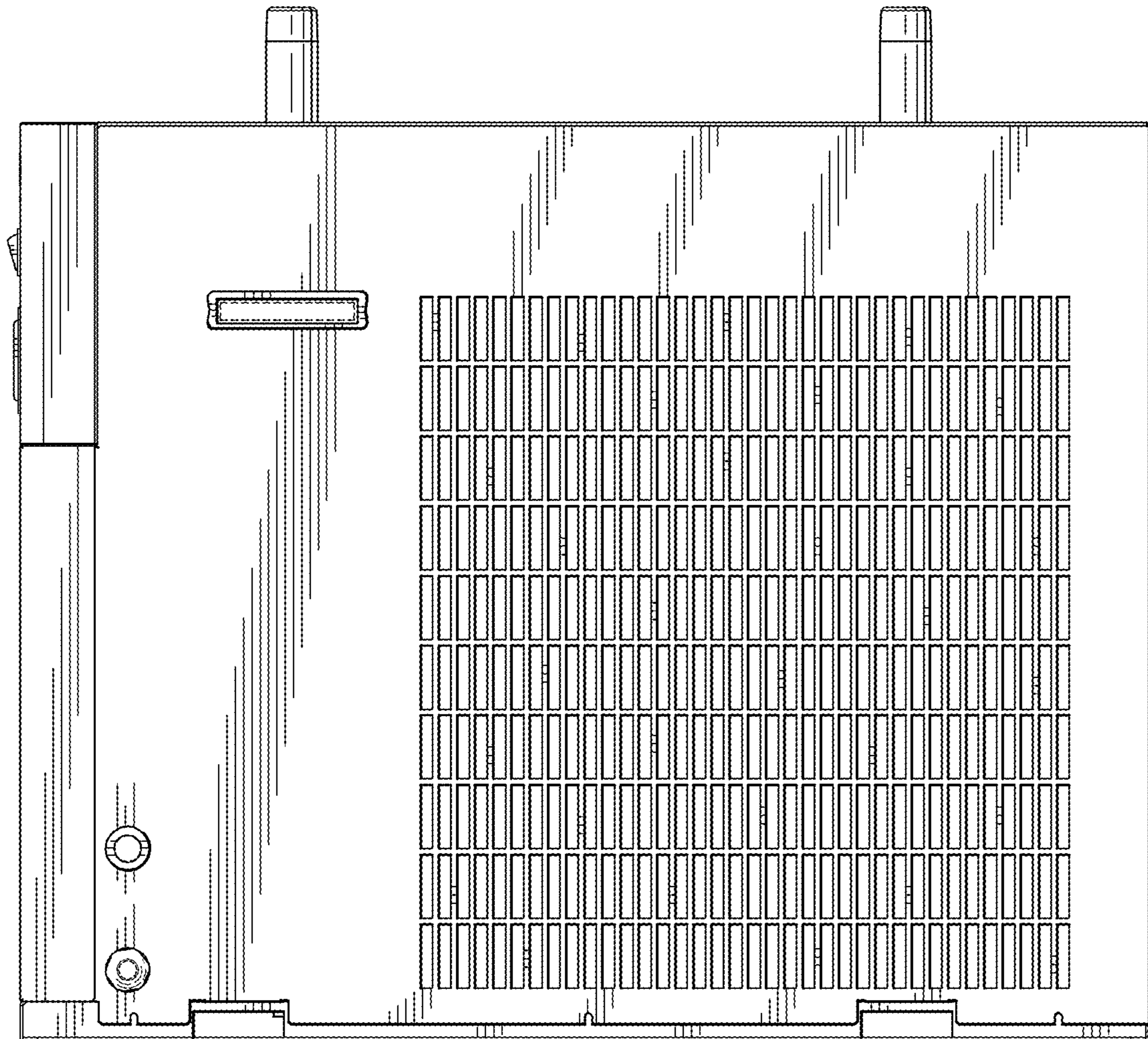


FIG. 8