



US00D889618S

(12) **United States Design Patent**
Ueda et al.

(10) **Patent No.:** **US D889,618 S**
(45) **Date of Patent:** **** Jul. 7, 2020**

(54) **AIR DRYER**

(71) Applicant: **SMC CORPORATION**, Chiyoda-ku
(JP)

(72) Inventors: **Takahiro Ueda**, Moriya (JP); **Takahiro Amemiya**, Moriya (JP); **Keigo Suzuki**, Inzai (JP)

(73) Assignee: **SMC CORPORATION**, Chiyoda-ku
(JP)

(**) Term: **15 Years**

(21) Appl. No.: **29/597,743**

(22) Filed: **Mar. 20, 2017**

(30) **Foreign Application Priority Data**

Sep. 23, 2016 (JP) 2016-020446

(51) **LOC (12) Cl.** **23-04**

(52) **U.S. Cl.**
USPC **D23/355**

(58) **Field of Classification Search**
USPC D23/355-359, 361, 363, 364
CPC B01D 53/00; B01D 53/02; B01D 53/04;
B01D 53/26; B01D 53/002; B01D
53/005; B01D 1/00; B01D 1/02; B01D
1/04; B01D 1/06; B01D 1/22; B01F 3/04
See application file for complete search history.

(56) **References Cited**

U.S. PATENT DOCUMENTS

- D258,686 S * 3/1981 Johnson D23/364
- D311,245 S * 10/1990 Choi D23/359
- D358,637 S * 5/1995 Boehme D23/364
- D395,703 S * 6/1998 Jane D23/355
- D415,857 S * 10/1999 Ayre D28/54.1
- D440,644 S * 4/2001 Potnis D23/359
- D503,785 S * 4/2005 Otaki D15/79

- D503,786 S * 4/2005 Otaki D15/79
- D503,971 S * 4/2005 Otaki D15/79
- D522,114 S * 5/2006 Otaki D15/79
- D572,354 S * 7/2008 Tsuchiya D23/355
- D645,130 S * 9/2011 Goldstein D23/356
- D656,601 S * 3/2012 Roderique D23/386
- 8,231,718 B2 * 7/2012 Cho B01D 46/0089
422/121
- D674,474 S * 1/2013 Rentschler D23/364
- D674,822 S * 1/2013 Ugumori D15/79
- D696,760 S * 12/2013 Wolf, II D23/364
- D731,632 S * 6/2015 Kulp D23/359
- D745,129 S * 12/2015 Nakagawa D23/364
- D748,235 S * 1/2016 Yamashita D23/364
- D749,202 S * 2/2016 Satou D23/364
- D796,654 S * 9/2017 Baker D23/328
- D803,276 S * 11/2017 Adjabeng D15/79

(Continued)

Primary Examiner — Rosemary K Tarcza

Assistant Examiner — Christy M Nemeth

(74) *Attorney, Agent, or Firm* — Oblon, McClelland,
Maier & Neustadt, L.L.P.

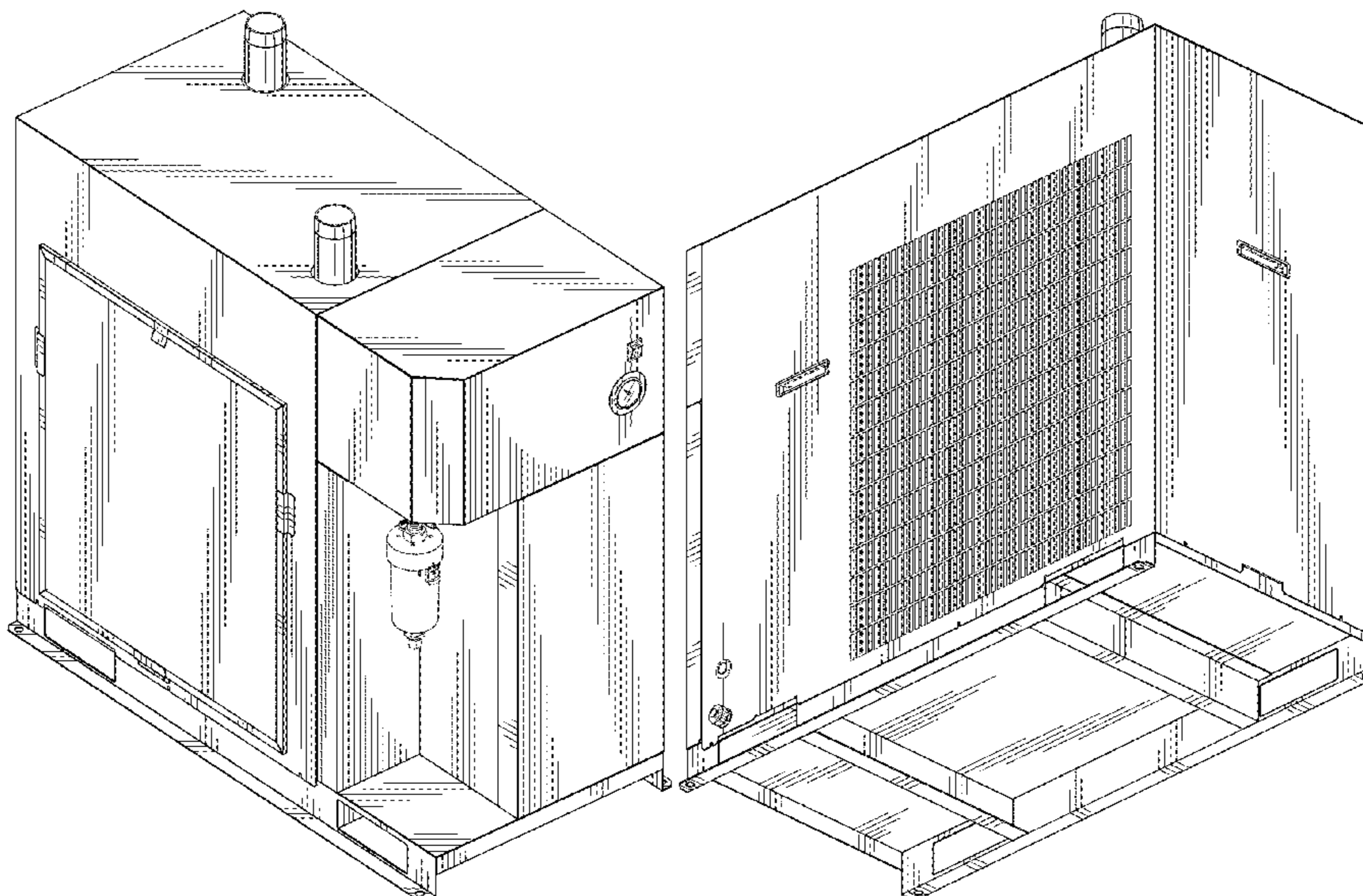
(57) **CLAIM**

The ornamental design for an air dryer, as shown and described.

DESCRIPTION

FIG. 1 is a front, top, and left side perspective view of an air dryer;
 FIG. 2 is a rear, bottom, and right side perspective view thereof;
 FIG. 3 is a front elevational view thereof;
 FIG. 4 is a rear elevational view thereof;
 FIG. 5 is a top plan view thereof;
 FIG. 6 is a bottom plan view thereof;
 FIG. 7 is a left side elevational view thereof; and,
 FIG. 8 is a right side elevational view thereof.
 The broken lines in the drawings illustrate subject matter that forms no part of the claimed design.

1 Claim, 8 Drawing Sheets



(56)

References Cited

U.S. PATENT DOCUMENTS

D819,190 S *	5/2018	Cormier	D23/355
D822,812 S *	7/2018	Hu	D23/356
D835,247 S *	12/2018	Park	D23/364
D840,012 S *	2/2019	Zhou	D23/359
10,252,213 B2 *	4/2019	Uramoto	B01D 53/26

* cited by examiner

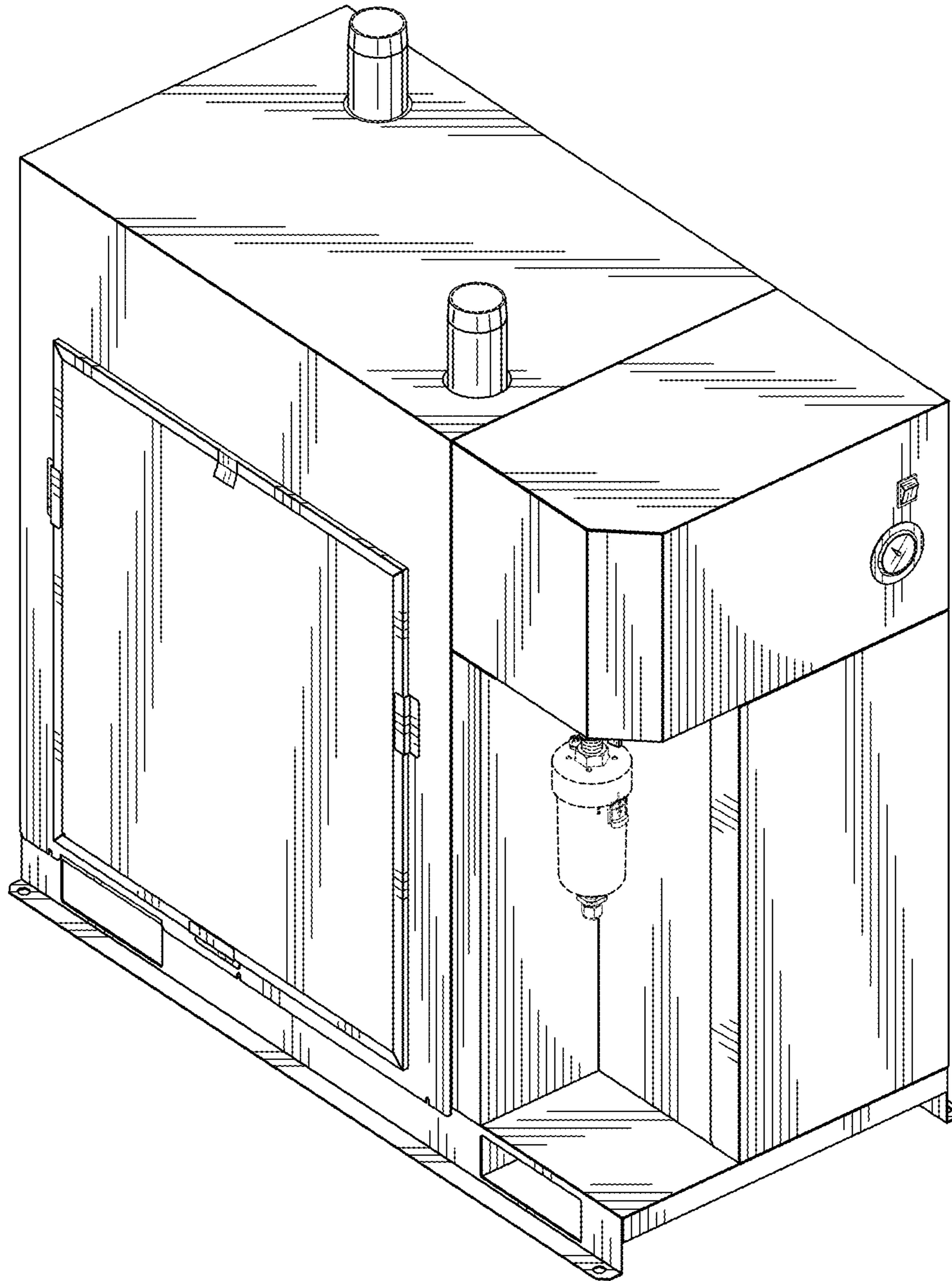


FIG. 1

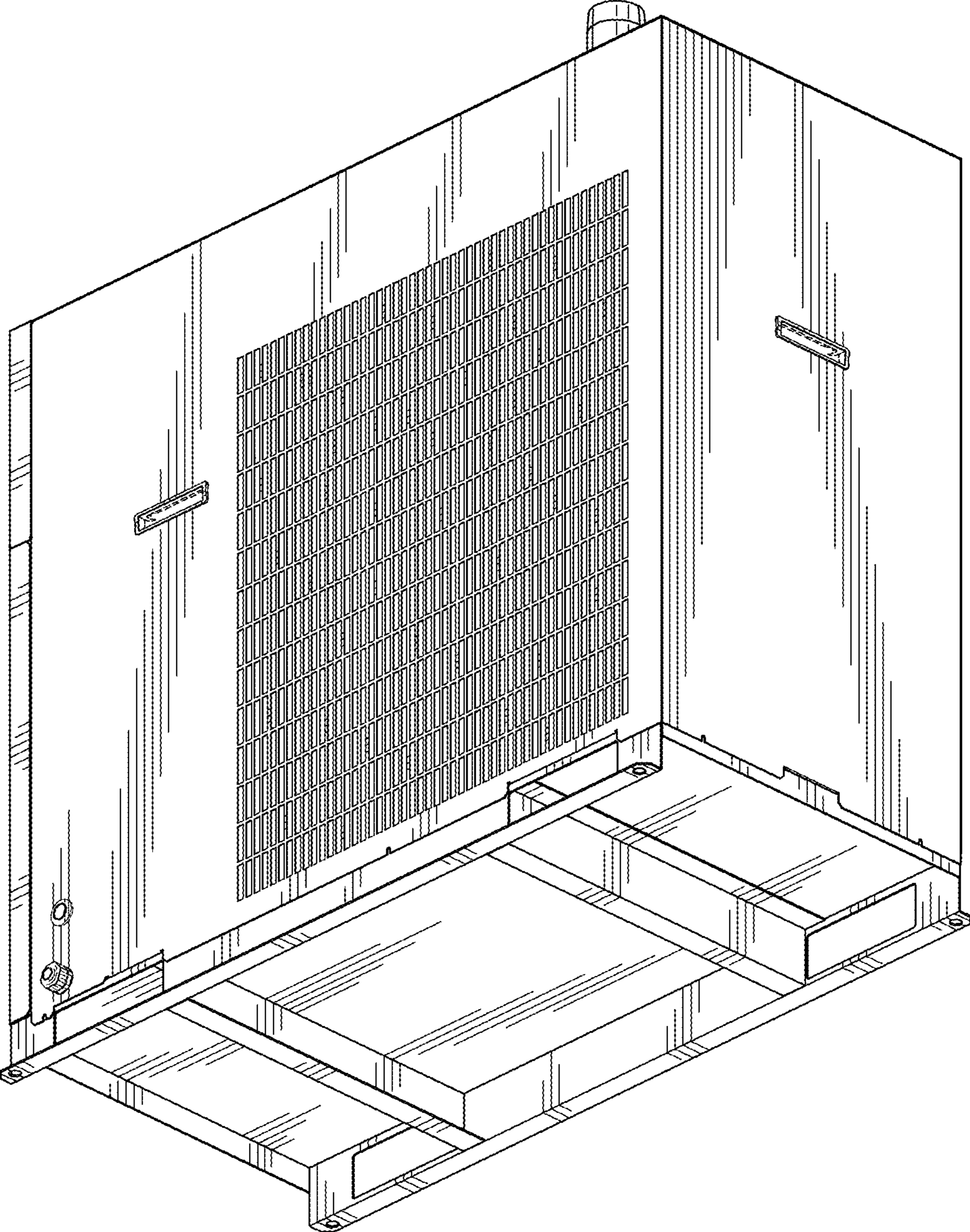


FIG. 2

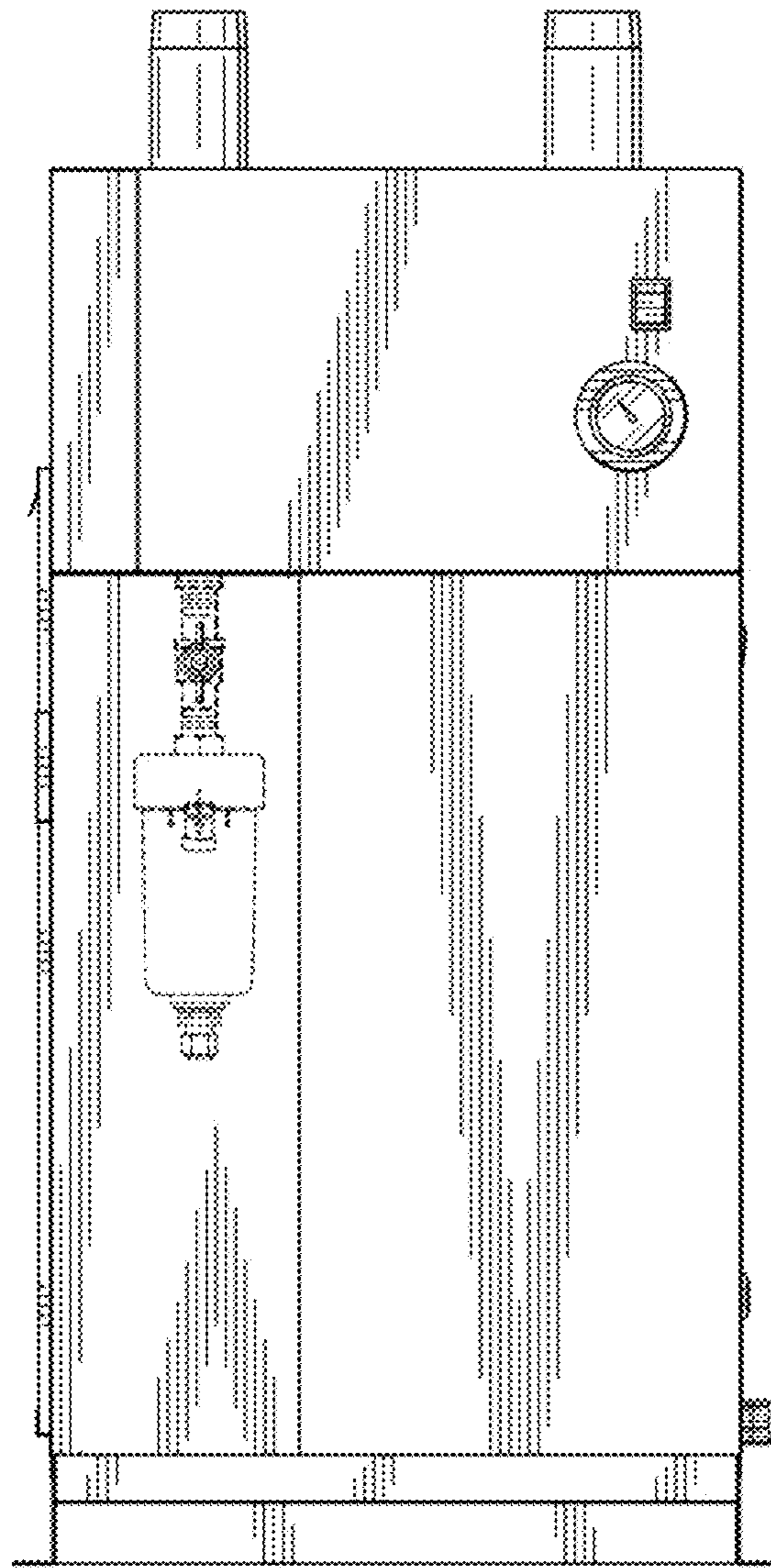


FIG. 3

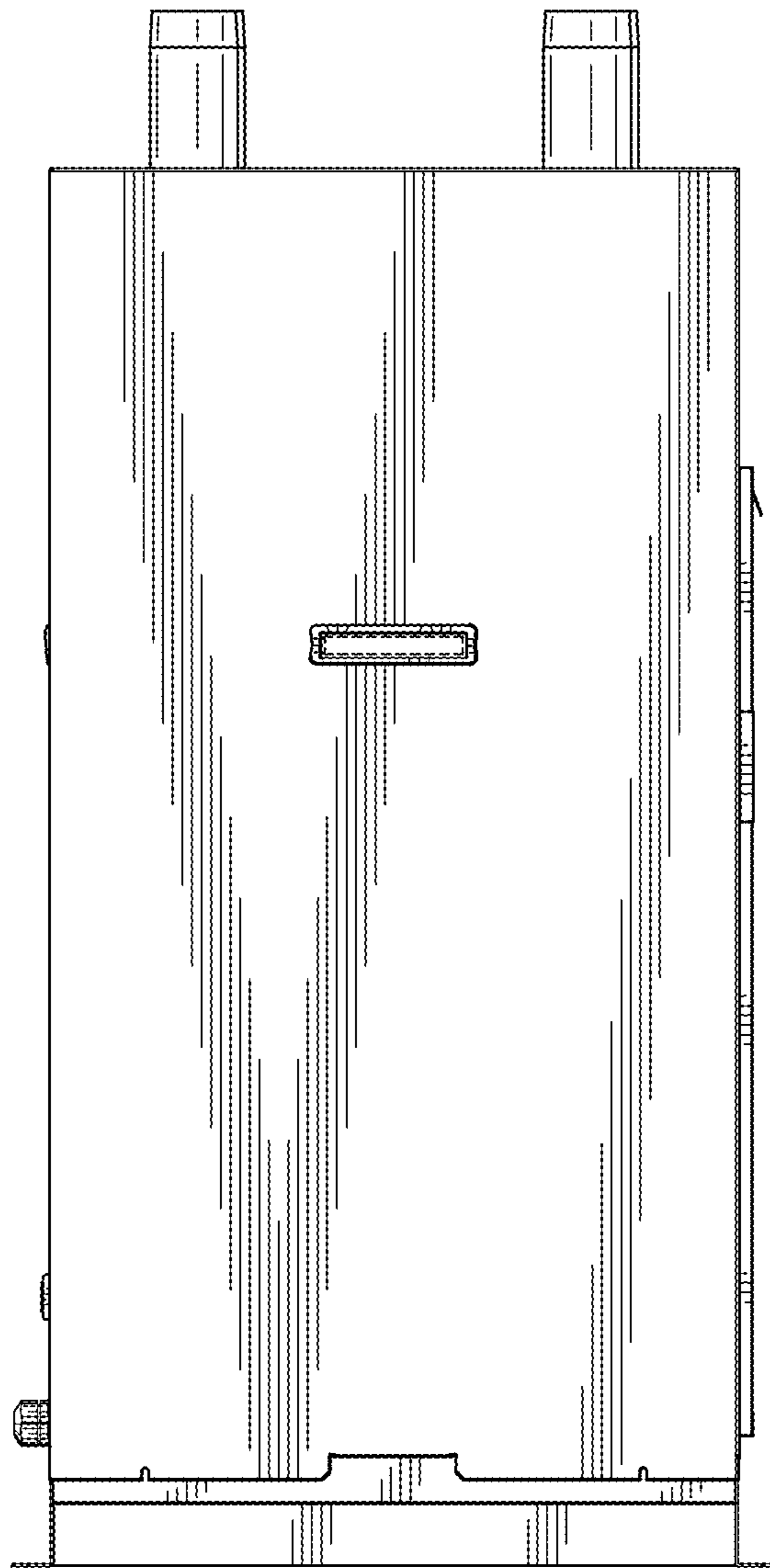


FIG. 4

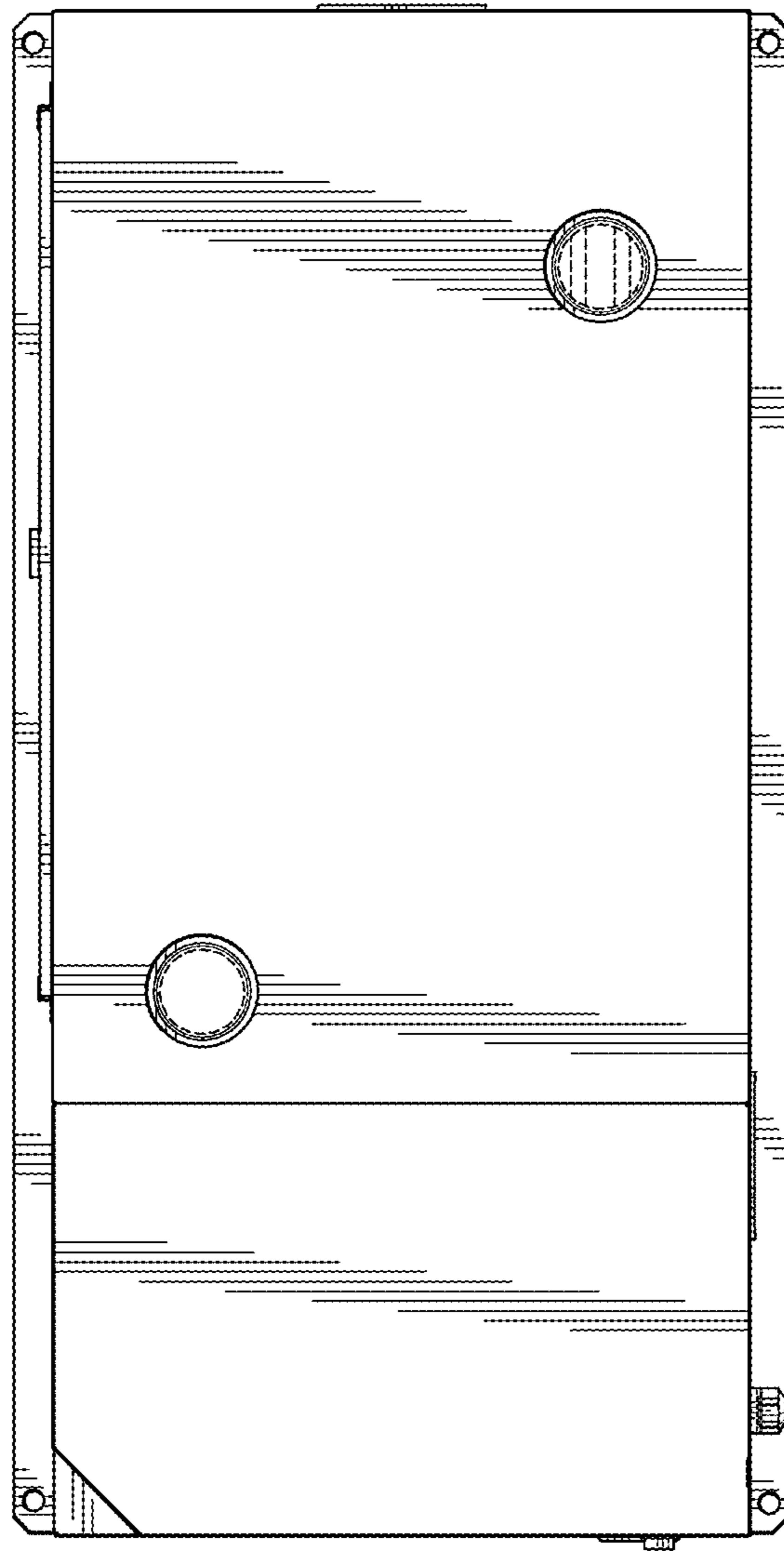


FIG. 5

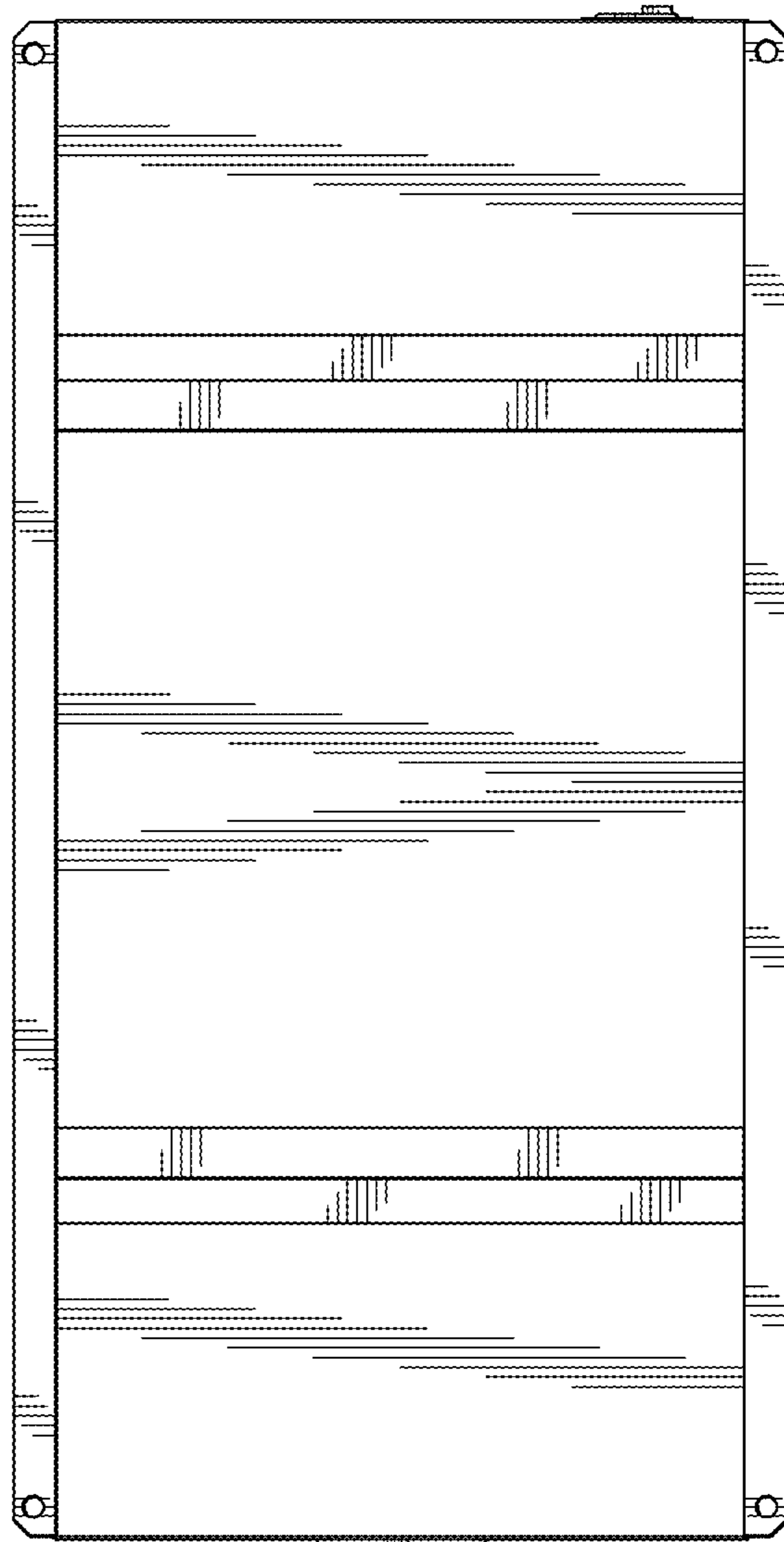


FIG. 6

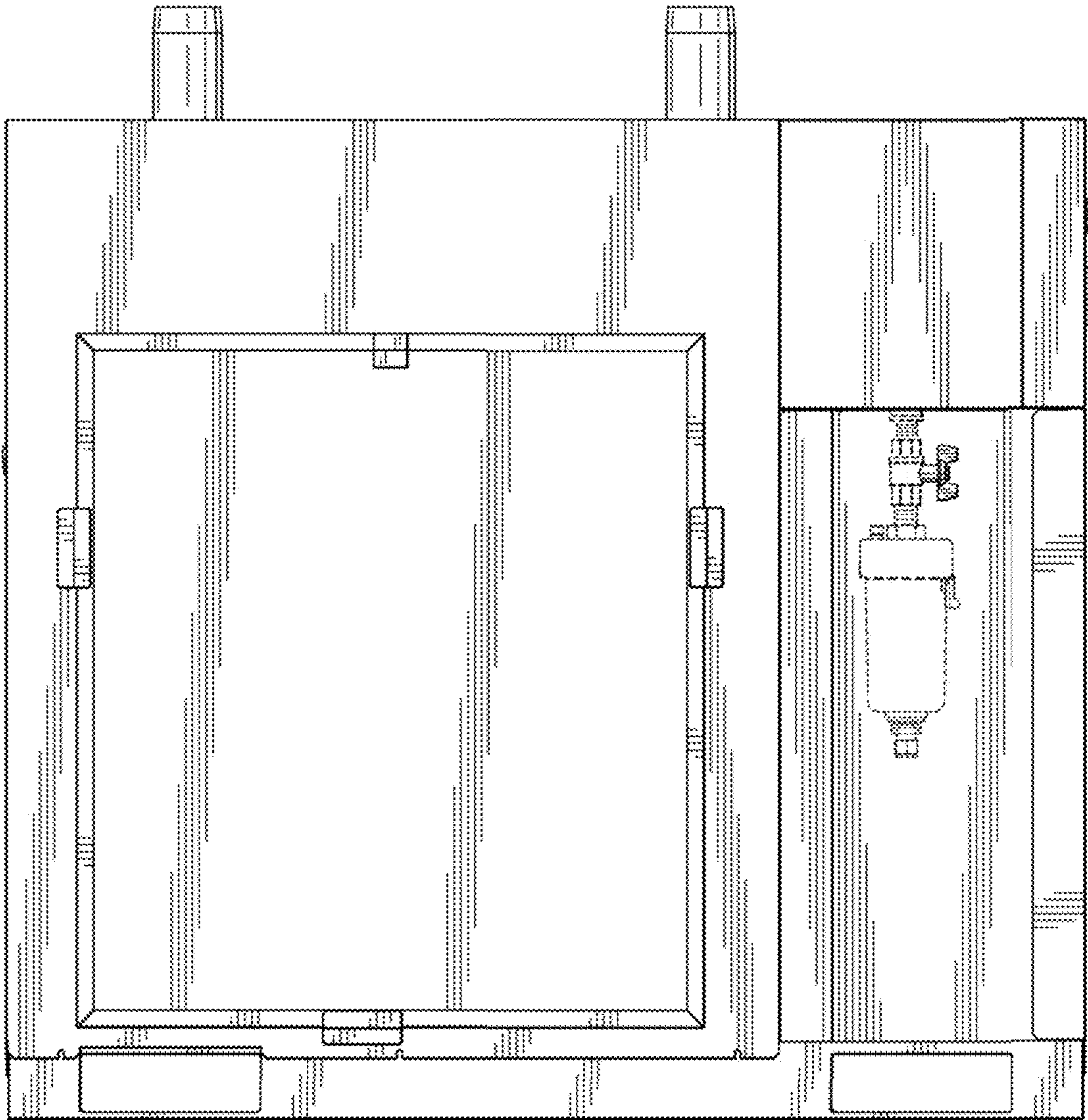


FIG. 7

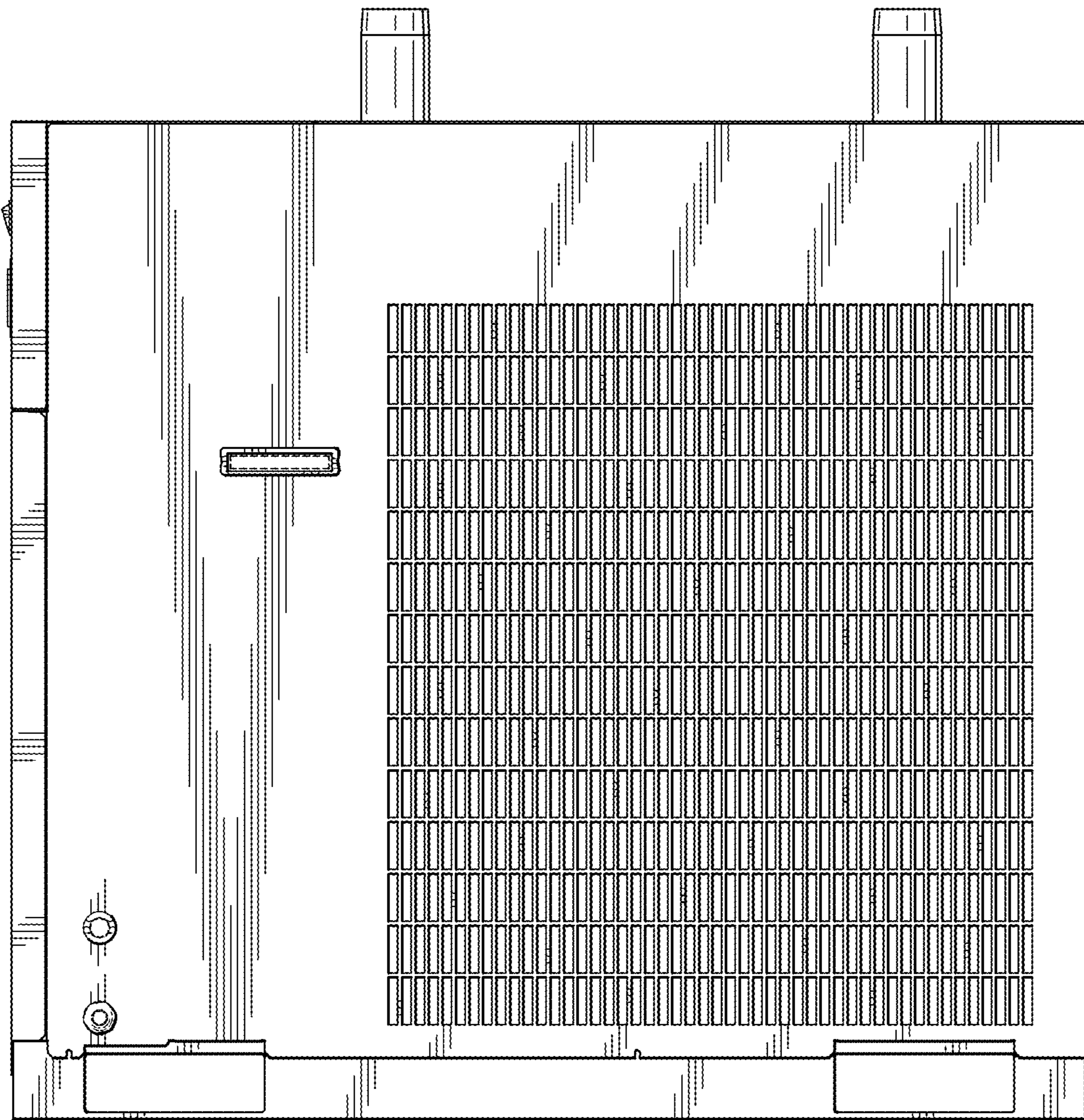


FIG. 8