



US00D889617S

(12) **United States Design Patent**  
**Morrison et al.**

(10) **Patent No.:** **US D889,617 S**

(45) **Date of Patent:** **\*\* Jul. 7, 2020**

(54) **HEATER**

F24H 3/02; F24H 3/04; F04D 17/04;  
F04D 25/08; F04D 25/10; F04D 5/00;  
H05B 3/008

(71) Applicant: **FOOT SCIENCE INTERNATIONAL LIMITED**, Christchurch (NZ)

See application file for complete search history.

(72) Inventors: **Steven Paul Morrison**, Christchurch (NZ); **Logan A. Stephens**, Christchurch (NZ)

(56) **References Cited**

U.S. PATENT DOCUMENTS

(73) Assignee: **Foot Science International Limited**, Christchurch (NZ)

D178,229	S	*	7/1956	Essman et al.	.....	D23/333
D178,230	S	*	7/1956	Essman et al.	.....	D23/333
D282,102	S	*	1/1986	Yuen	.....	D23/328
D687,137	S	*	7/2013	Nemes	.....	D23/332

(\*\*) Term: **15 Years**

\* cited by examiner

(21) Appl. No.: **29/684,373**

*Primary Examiner* — Ania Aman

(22) Filed: **Mar. 20, 2019**

(74) *Attorney, Agent, or Firm* — Workman Nydegger

(30) **Foreign Application Priority Data**

(57) **CLAIM**

The ornamental design for a heater, as shown and described.

Jan. 22, 2019 (NZ) ..... 425626

(51) **LOC (12) Cl.** ..... **23-03**

(52) **U.S. Cl.**  
USPC ..... **D23/332**

(58) **Field of Classification Search**  
USPC ..... D23/314, 317, 318, 319, 320, 321, 322,  
D23/323, 329, 330, 331, 332, 334, 335,  
D23/333, 336, 337, 338, 339, 340, 341,  
D23/342, 370, 378, 411, 412, 356, 358,  
D23/359, 363, 328

CPC ..... F24H 3/00; F24H 3/0411; F24H 3/0417;  
F24H 9/0063; F24H 9/0073; F24H 9/02;  
F24H 3/082; F24H 9/2071; F24H 3/002;

**DESCRIPTION**

FIG. 1 is a front perspective view of a heater showing our new design;

FIG. 2 is a front elevational view thereof;

FIG. 3 is a rear elevational view thereof;

FIG. 4 is a left side elevational view thereof;

FIG. 5 is a right side elevational view thereof;

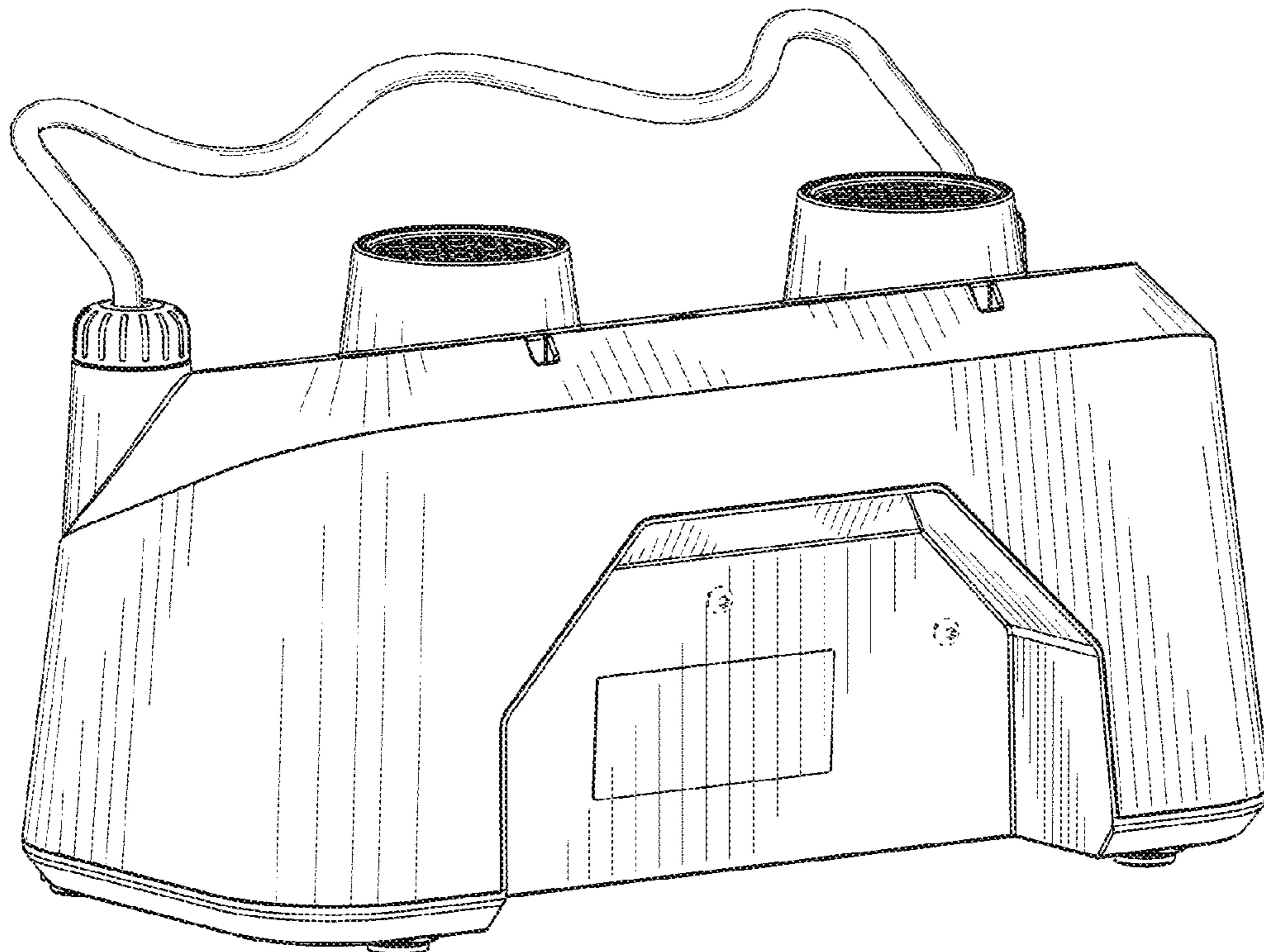
FIG. 6 is a top plan view thereof;

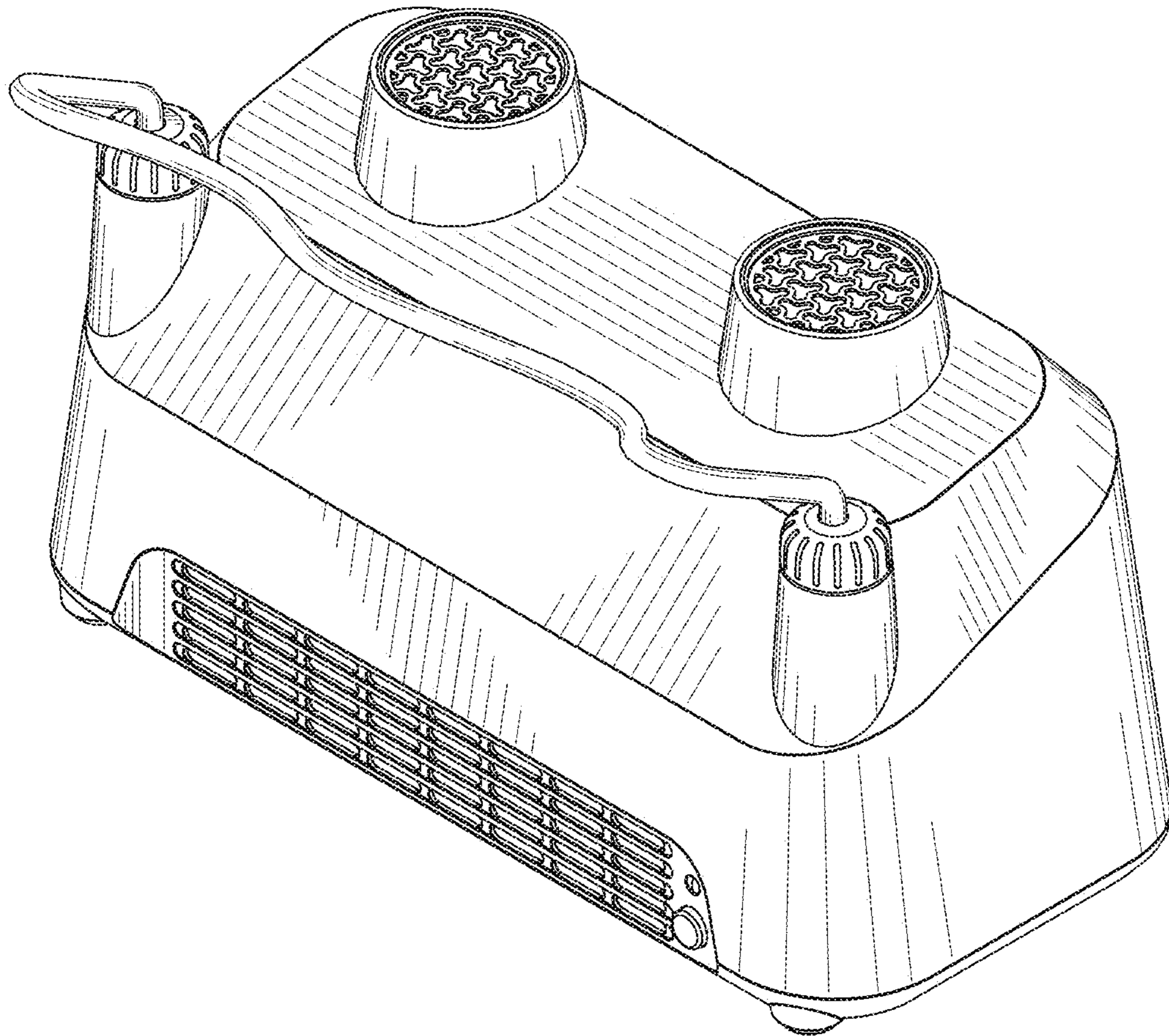
FIG. 7 is a bottom plan view thereof; and,

FIG. 8 is a rear perspective view thereof.

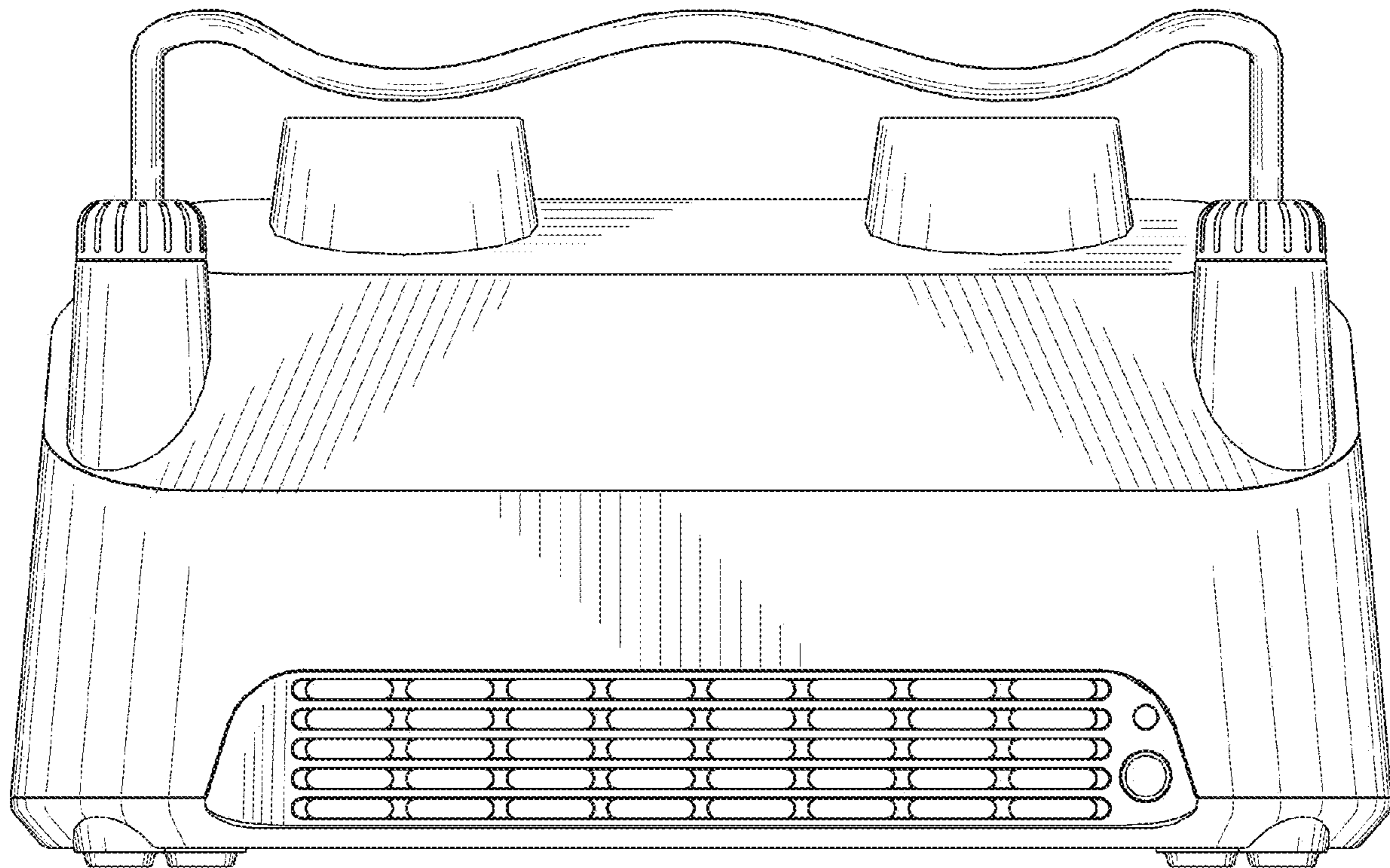
The broken lines showing features of the design are for the purpose of illustration only and form no part of the claimed design.

**1 Claim, 8 Drawing Sheets**

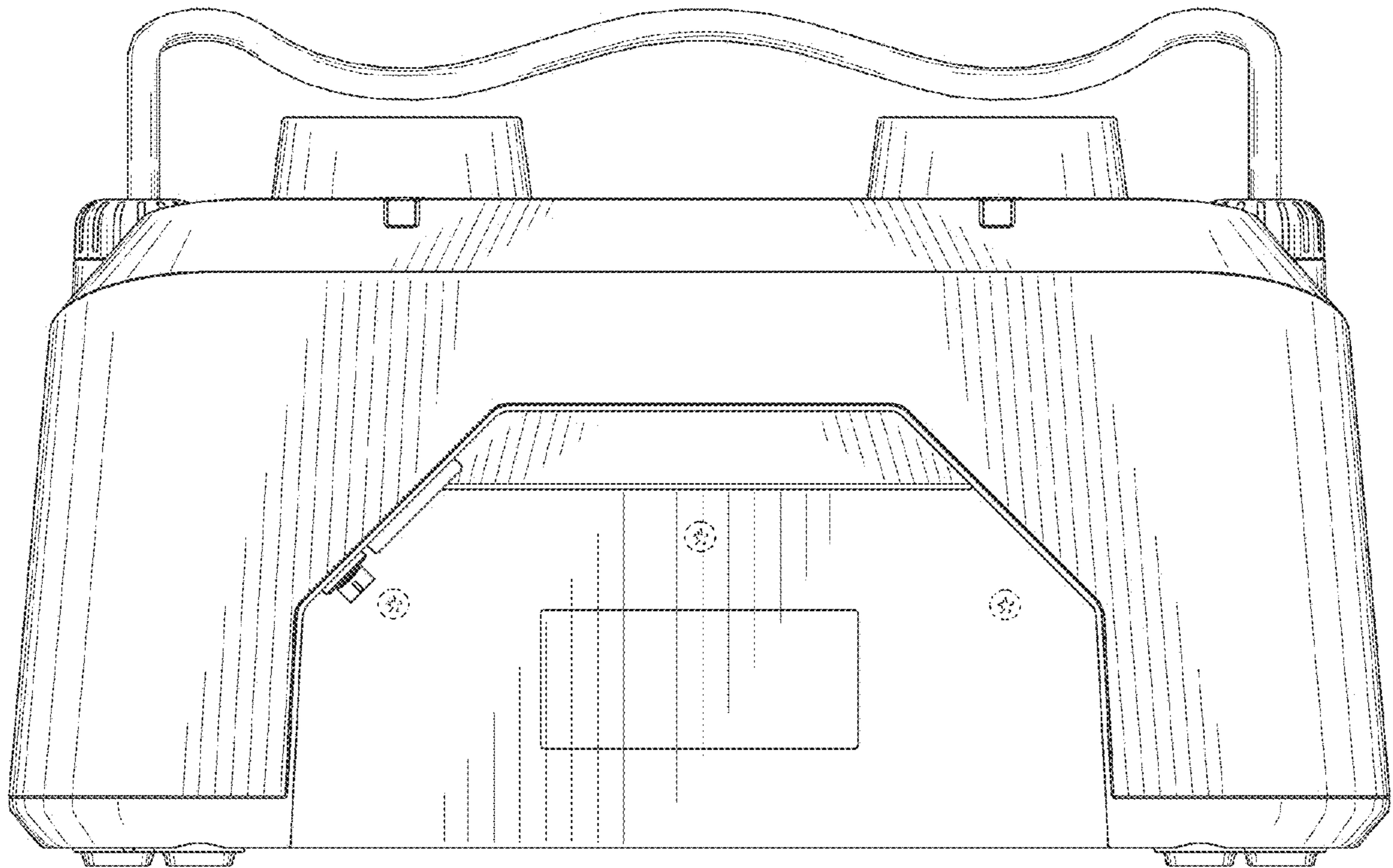




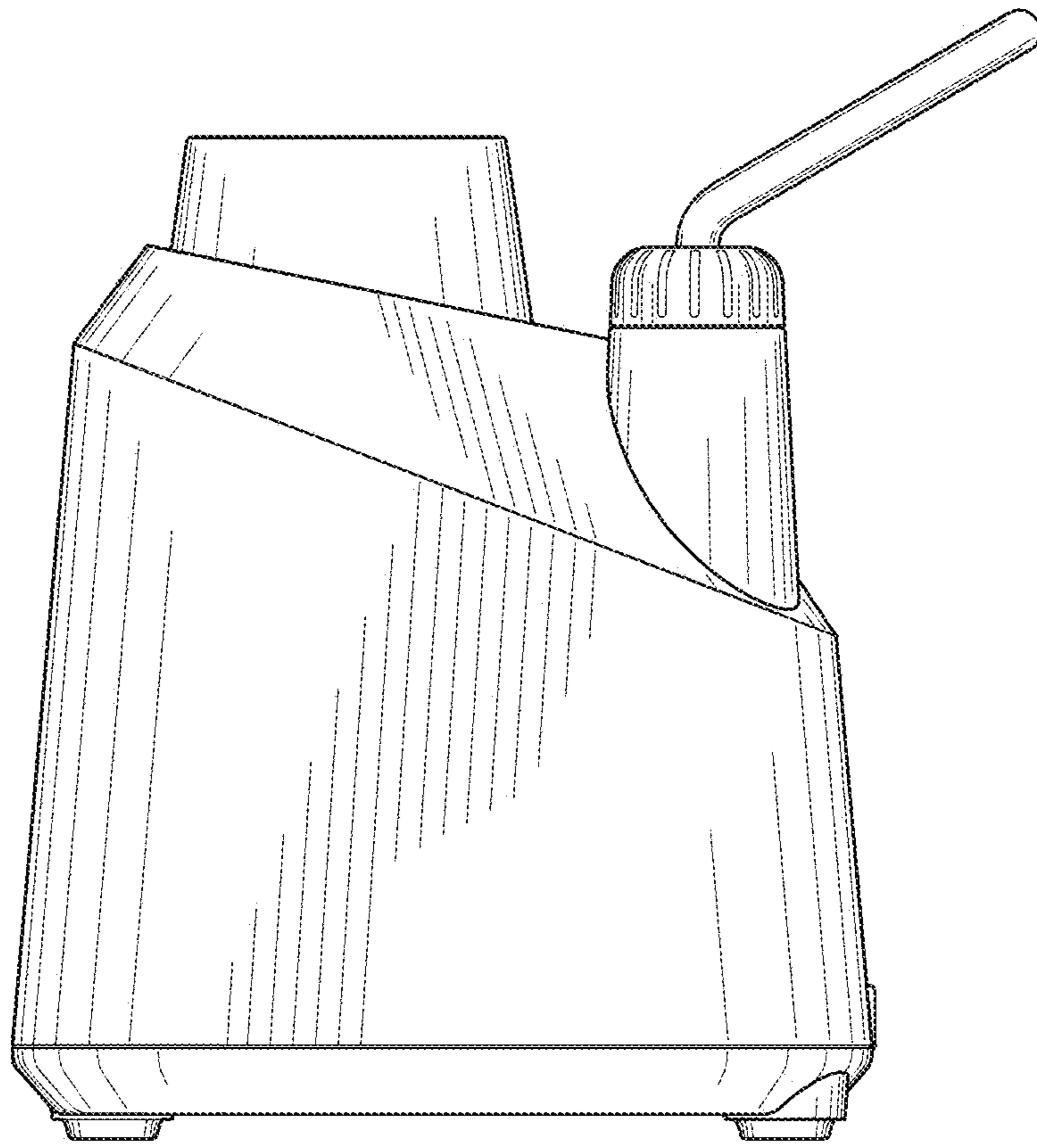
**FIG. 1**



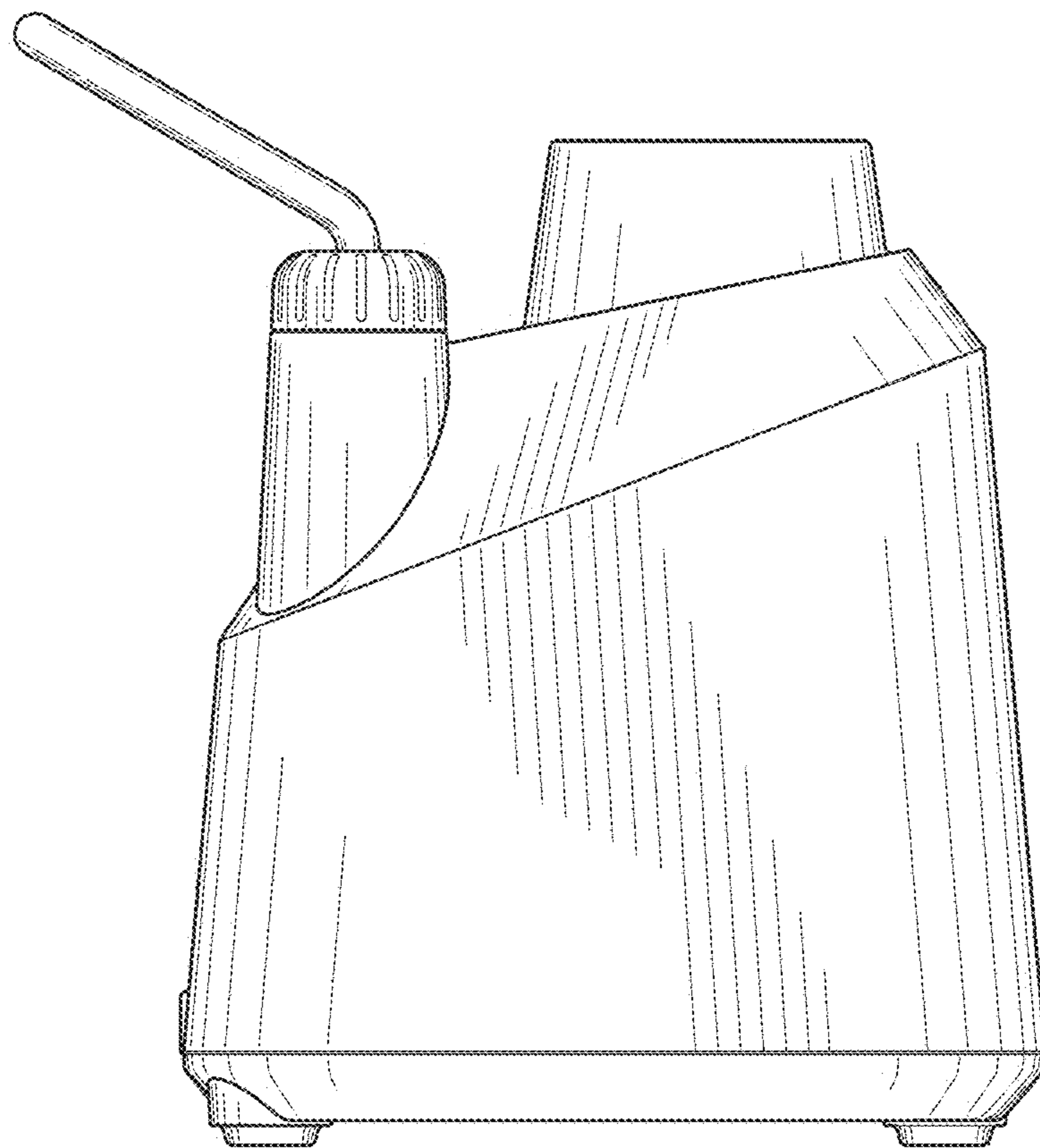
**FIG. 2**



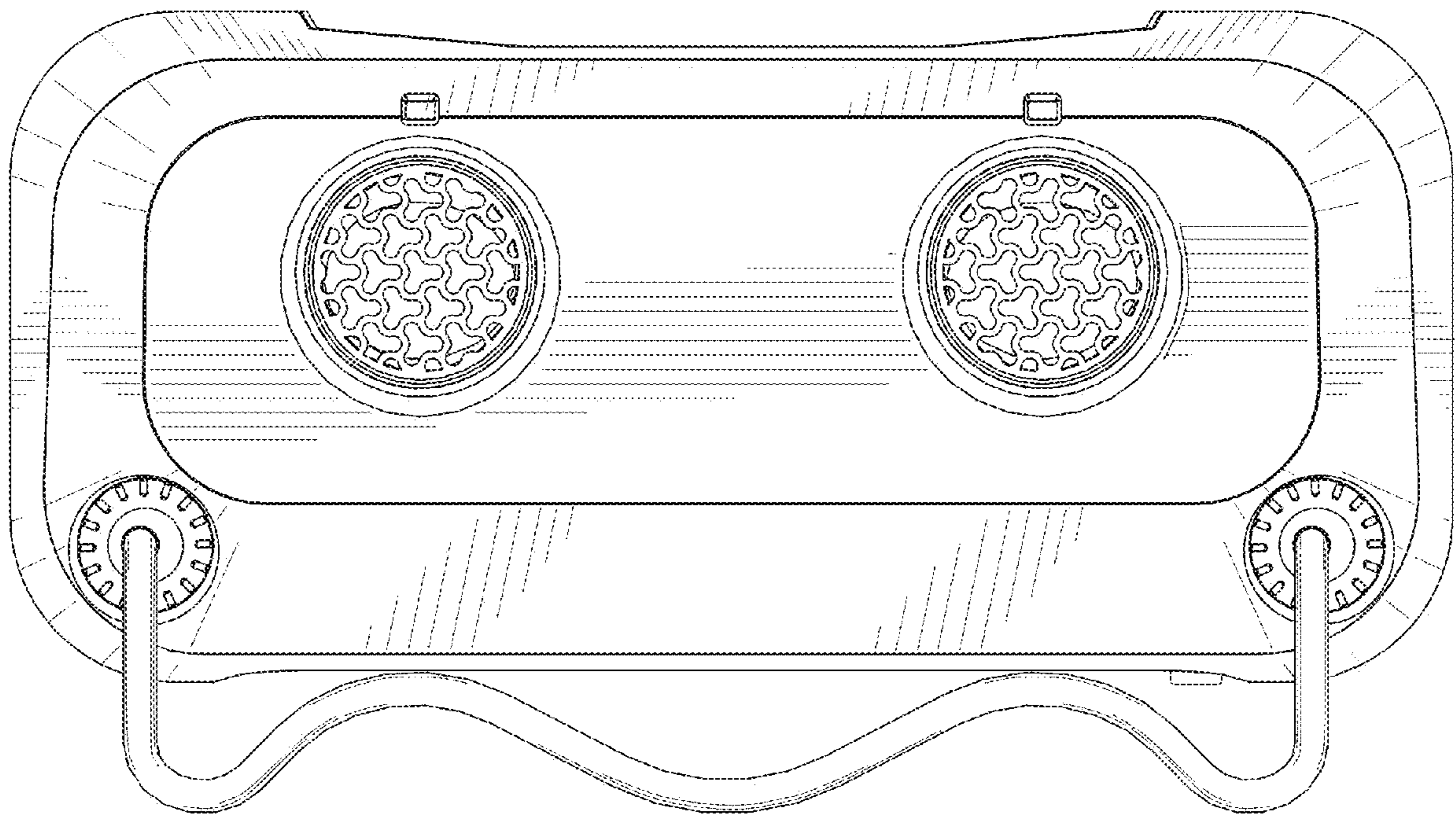
**FIG. 3**



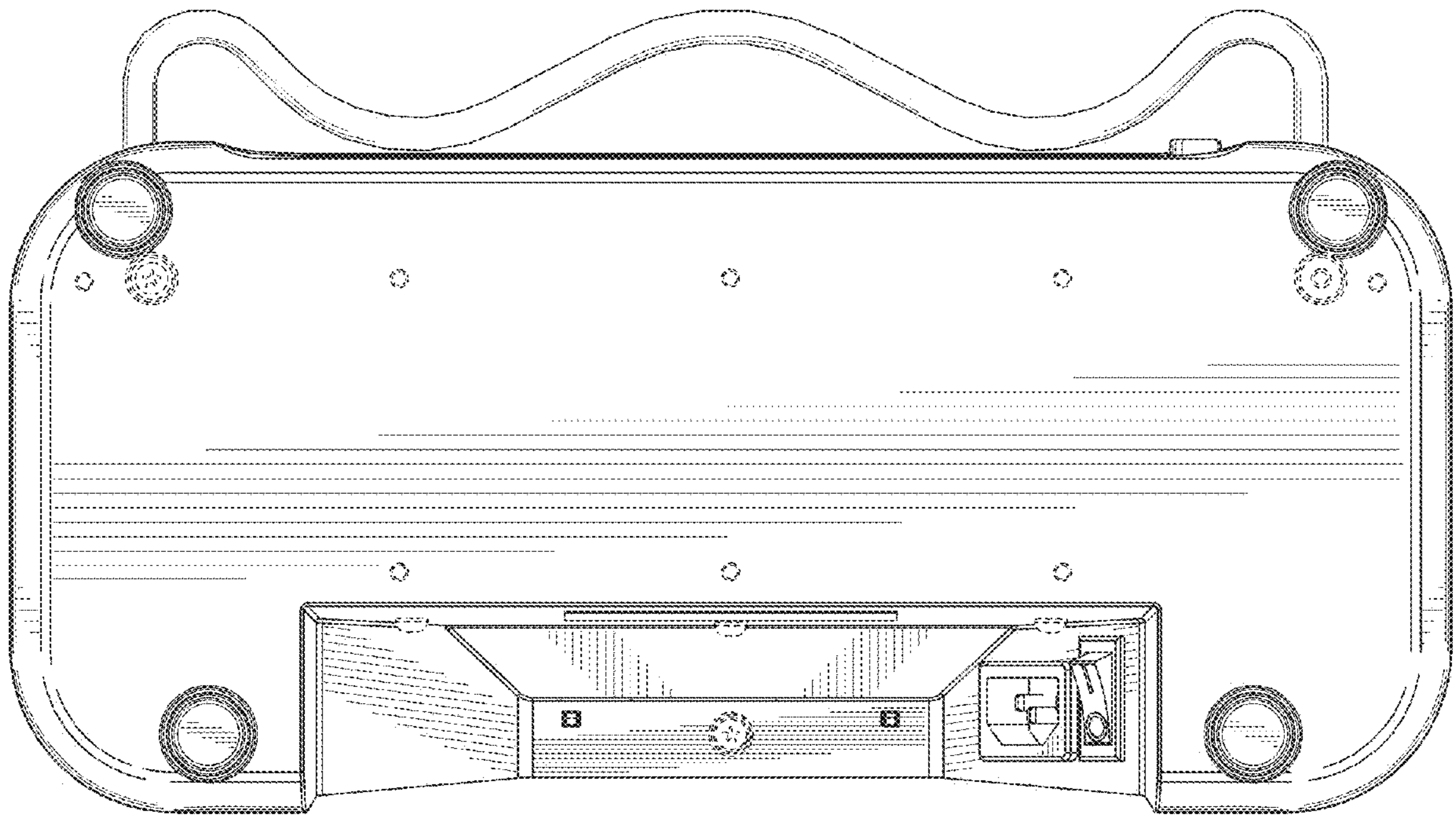
***FIG. 4***



***FIG. 5***

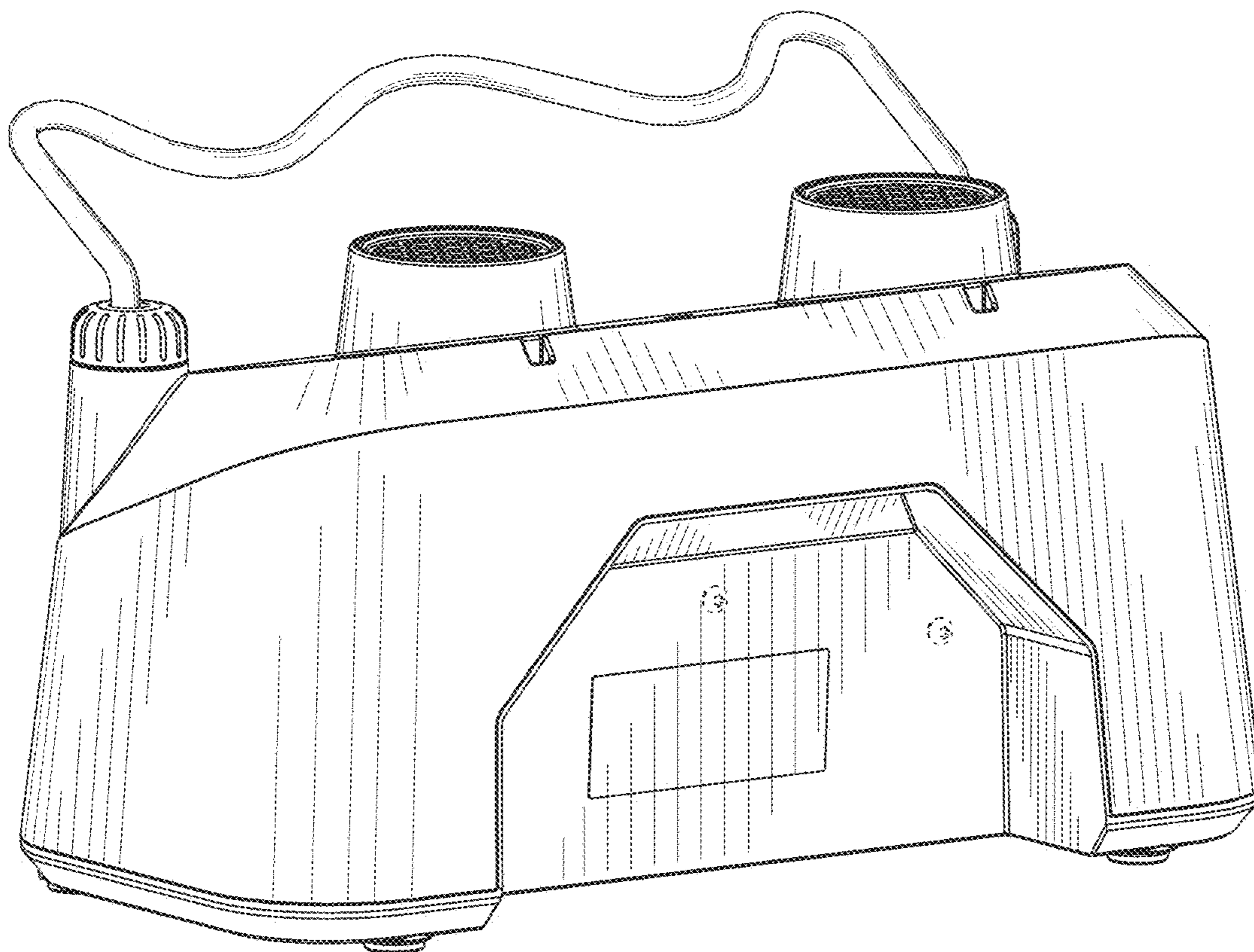


**FIG. 6**



**FIG. 7**





**FIG. 8**