



US00D889615S

(12) **United States Design Patent**
Jiang et al.

(10) **Patent No.:** **US D889,615 S**

(45) **Date of Patent:** **** Jul. 7, 2020**

(54) **BIDET**

(71) Applicants: **Xiamen Soothingware Sanitary Co., Ltd**, Xiamen, Fujian (CN); **BBC INNOVATION CORPORATION**, Crystal Lake, IL (US)

(72) Inventors: **Jian Bing Jiang**, Xiamen (CN); **Chen Yong Li**, Xiamen (CN); **Kai Lin**, Xiamen (CN); **Mi Zhang**, Xiamen (CN)

(73) Assignees: **XIAMEN SOOTHINGWARE SANITARY CO., LTD**, Xiamen, Fujian Province (CN); **BBC INNOVATION CORPORATION**, Crystal Lake, IL (US)

(**) Term: **15 Years**

(21) Appl. No.: **29/643,303**

(22) Filed: **Apr. 6, 2018**

(30) **Foreign Application Priority Data**

Feb. 11, 2018 (CN) 2018 3 0065844

(51) **LOC (12) Cl.** **23-01**

(52) **U.S. Cl.**
USPC **D23/309**

(58) **Field of Classification Search**
USPC D23/295-301, 303, 309, 311-313
CPC A47K 11/02; A47K 11/026; A47K 11/00;
A47K 13/00; E03D 11/18; E03D 5/10;
E03D 13/00
See application file for complete search history.

(56) **References Cited**

U.S. PATENT DOCUMENTS

D400,238 S * 10/1998 New D23/295
5,953,766 A * 9/1999 Szoke E03D 9/08
4/420.4

D714,428 S * 9/2014 Gupta D23/309
D846,100 S * 4/2019 Kim D23/295
2009/0044324 A1* 2/2009 Meshreky A47K 13/24
4/444
2014/0101838 A1* 4/2014 Gupta B05B 15/70
4/448
2017/0342694 A1* 11/2017 Gupta E03D 9/08
2018/0209129 A1* 7/2018 He E03D 9/08

OTHER PUBLICATIONS

EnjoyClean Soothingware Bidet reference [May 4, 2019] found online [May 4, 2019]—<http://www.soothingware.com.cn/products/Cold/EB7601/EB7601.html>.*

* cited by examiner

Primary Examiner — Lakiya G Rogers

Assistant Examiner — John A Voytek

(74) *Attorney, Agent, or Firm* — Muncy, Geissler, Olds & Lowe, P.C.

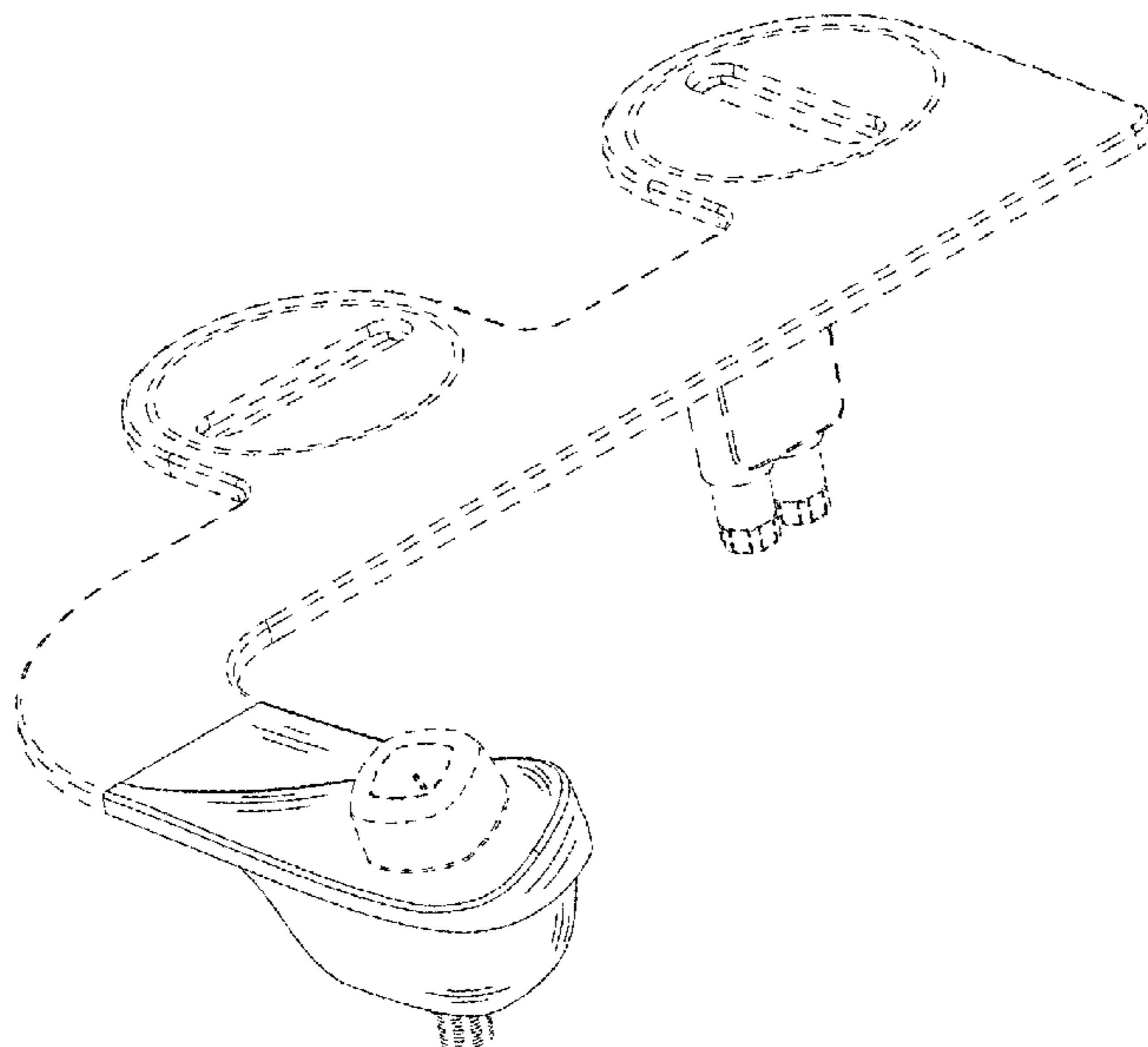
(57) **CLAIM**

The ornamental design for a bidet, as shown and described.

DESCRIPTION

FIG. 1 is a perspective view of a bidet showing our new design;
FIG. 2 is a front elevational view thereof;
FIG. 3 is a rear elevational view thereof;
FIG. 4 is a left side elevational view thereof;
FIG. 5 is a right side elevational view thereof;
FIG. 6 is a top plan view thereof; and,
FIG. 7 is a bottom plan view thereof.
The broken lines illustrate portions of the bidet which form no part of the claimed design.

1 Claim, 7 Drawing Sheets



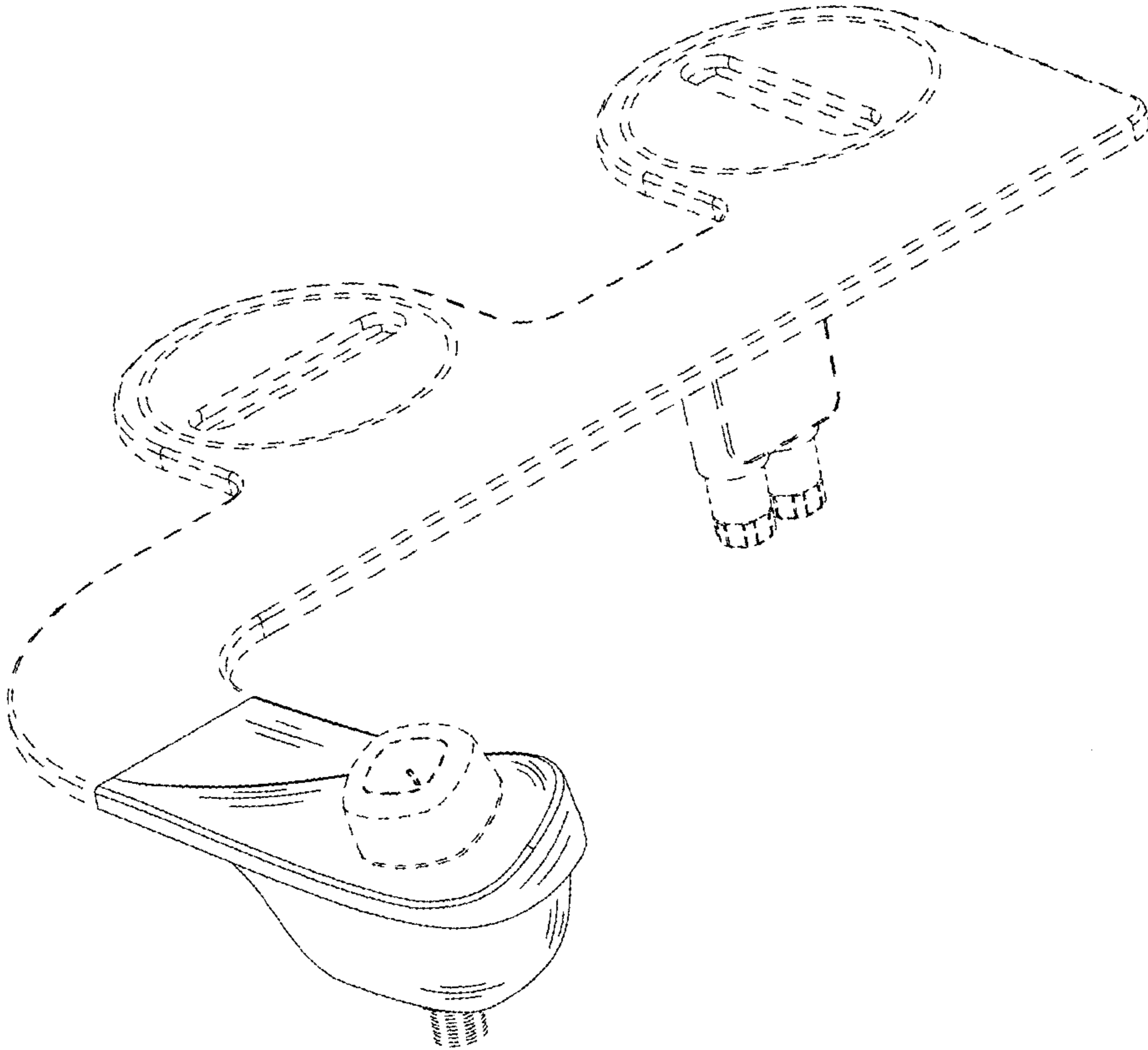


FIG. 1

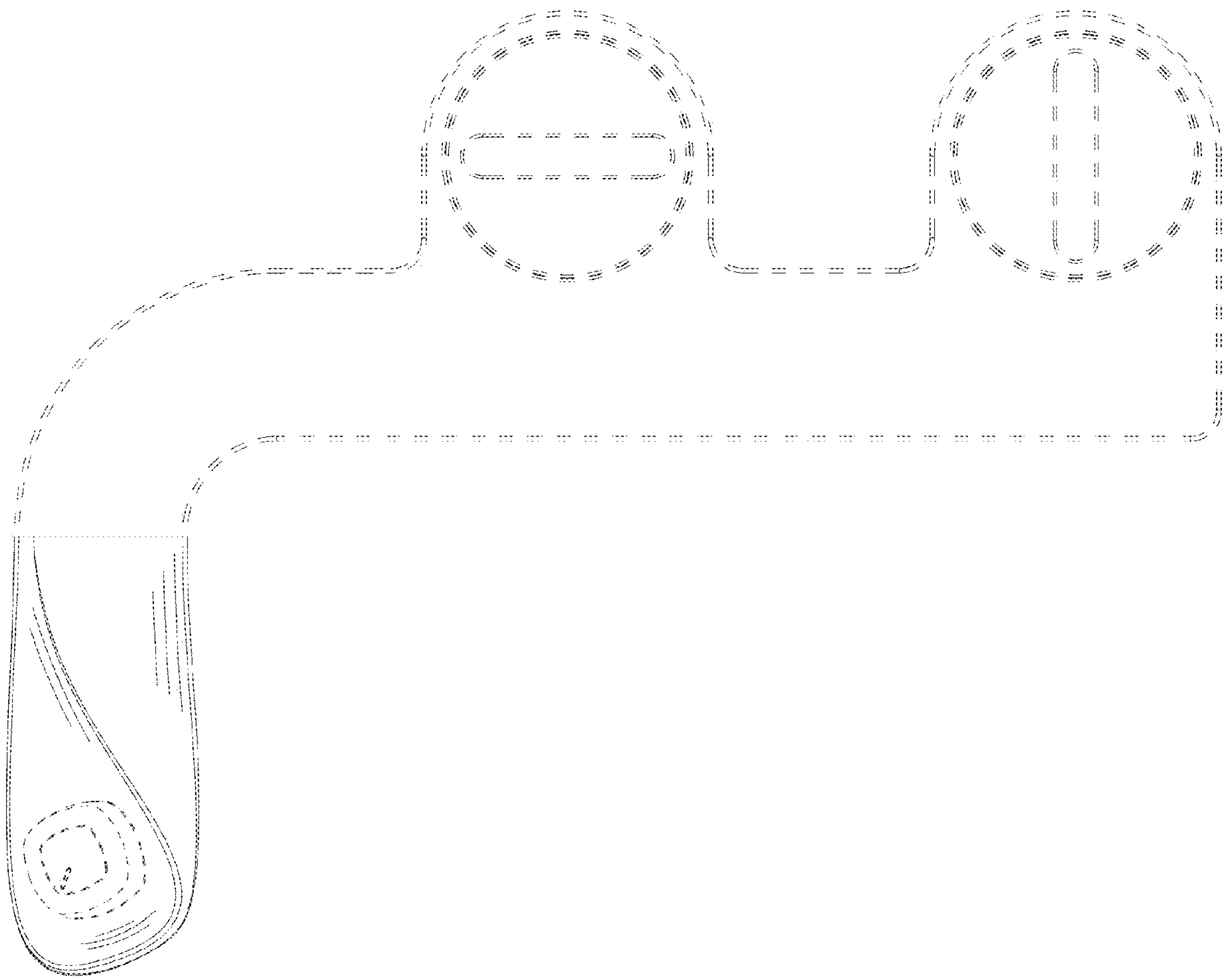


FIG. 2

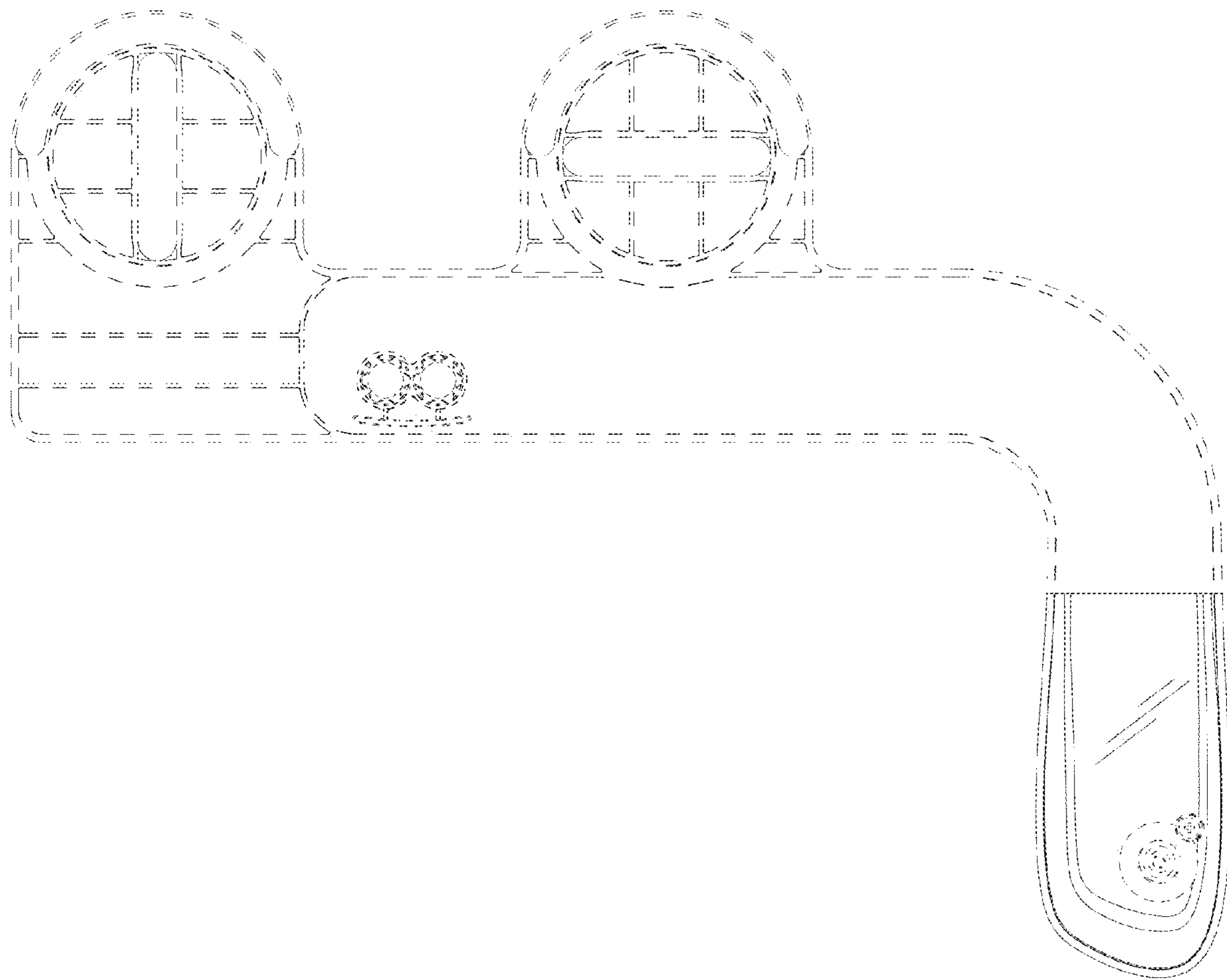


FIG. 3

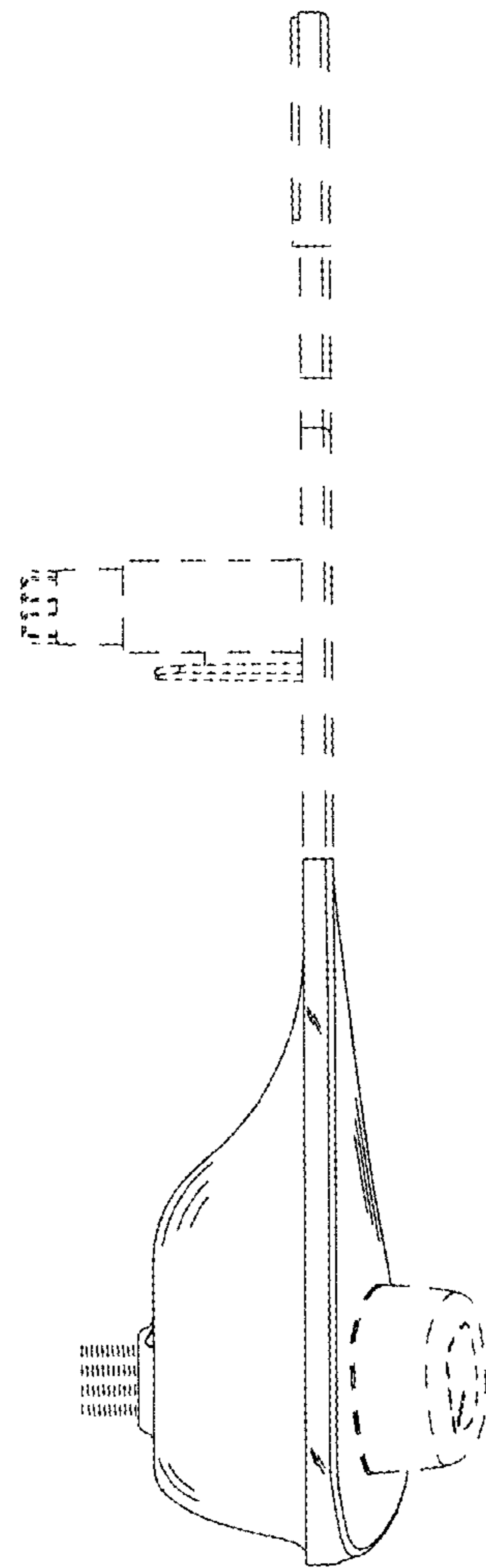


FIG. 4

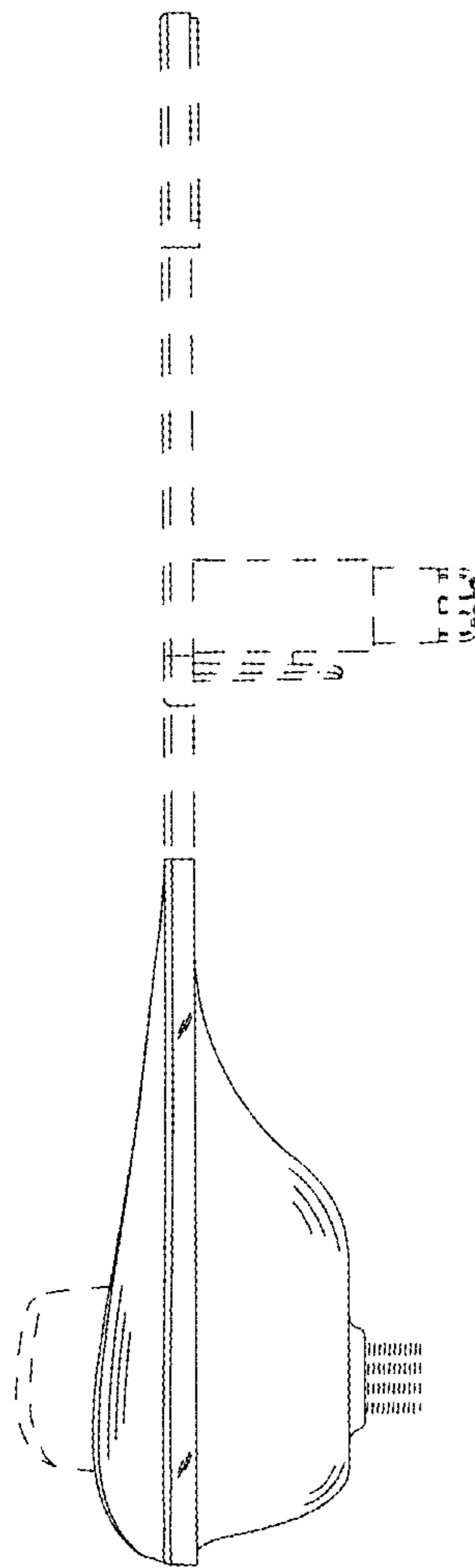


FIG. 5

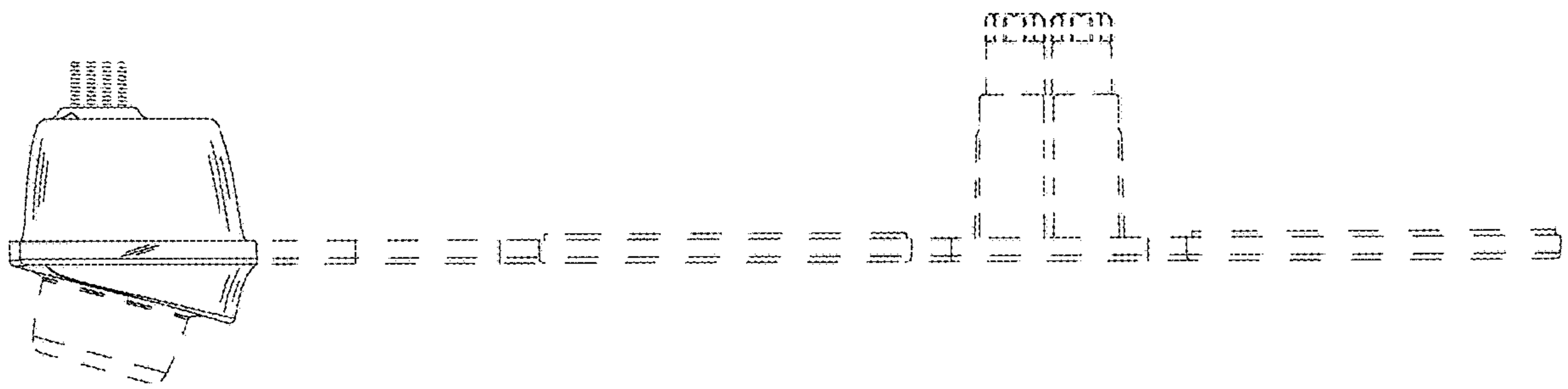


FIG. 6

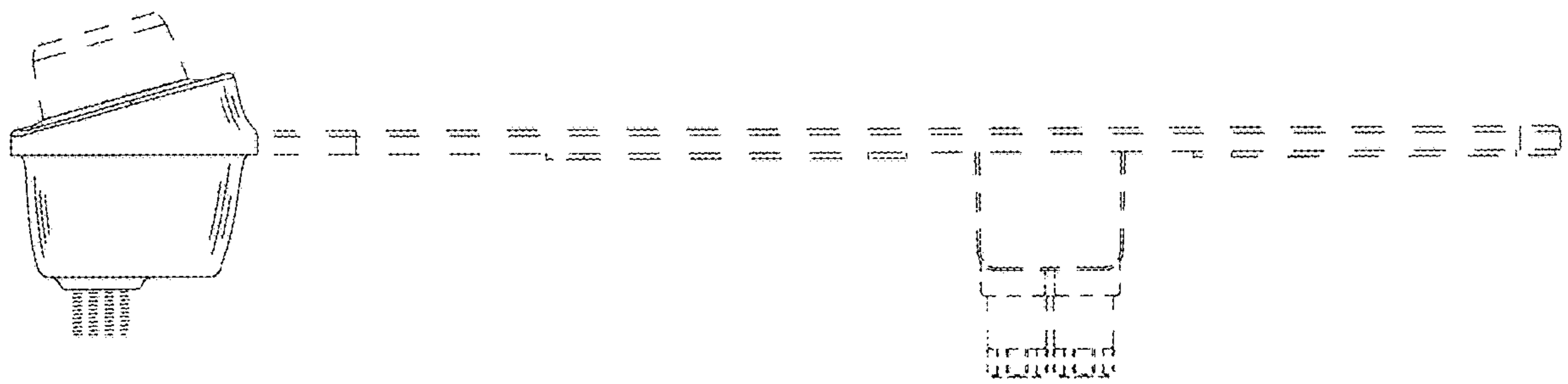


FIG. 7