



US00D889613S

(12) **United States Design Patent** (10) **Patent No.:** **US D889,613 S**  
**Lawinger et al.** (45) **Date of Patent:** **\*\* Jul. 7, 2020**

(54) **URINAL**

FOREIGN PATENT DOCUMENTS

(71) Applicant: **Sloan Valve Company**, Franklin Park, IL (US)  
(72) Inventors: **Mark Lawinger**, Franklin Park, IL (US); **Ronald J. Vish**, West Roxbury, MA (US)  
(73) Assignee: **Sloan Valve Company**, Franklin Park, IL (US)  
(\*\*) Term: **15 Years**

DE	000309406-0008	5/2005
DE	002077933-0003	7/2012
DE	002077933-0004	7/2012
DE	002771626-0001	9/2015
DE	004045961-0012	8/2017
DE	004045961-0013	8/2017
GB	2046653	8/1995
GB	000346994-0001	7/2005
GB	000346994-0002	7/2005
GB	000454038-0001	2/2006
GB	000454038-0002	2/2006
IT	001435622-0007	6/2015
IT	004104297-0001	10/2017

(Continued)

(21) Appl. No.: **29/654,892**

(22) Filed: **Jun. 28, 2018**

(51) **LOC (12) Cl.** ..... **23-02**

(52) **U.S. Cl.**  
USPC ..... **D23/302**

(58) **Field of Classification Search**  
USPC ..... D23/295-301, 303, 309, 311-313  
CPC ..... A47K 11/02; A47K 11/026; A47K 11/00;  
A47K 13/00; E03D 11/18; E03D 5/10;  
E03D 13/00  
See application file for complete search history.

(56) **References Cited**

U.S. PATENT DOCUMENTS

D233,889 S	*	12/1974	Juaire	.....	D23/302
D545,418 S	*	6/2007	Cummings	.....	D23/302
D545,948 S	*	7/2007	Cummings	.....	D23/302
D548,820 S	*	8/2007	Cummings	.....	D23/302
D548,821 S	*	8/2007	Cummings	.....	D23/302
D588,248 S	*	3/2009	Cummings	.....	D23/302
D626,638 S	*	11/2010	Reback	.....	D23/302
D701,594 S	*	3/2014	Newson	.....	D23/302
D789,501 S		6/2017	Ben Salah		
D801,492 S		10/2017	Schmed et al.		
D807,477 S		1/2018	Papai et al.		

OTHER PUBLICATIONS

Sloan Vitreous China Washdown Urinal reference [Oct. 17, 2019] found online [Oct. 17, 2019]—<https://www.sloan.com/commercial-bathroom-products/urinals/sloan-vitreous-china/su-7409>.\*

*Primary Examiner* — Brandon M Rosati  
*Assistant Examiner* — John A Voytek  
(74) *Attorney, Agent, or Firm* — Banner & Witcoff, Ltd.

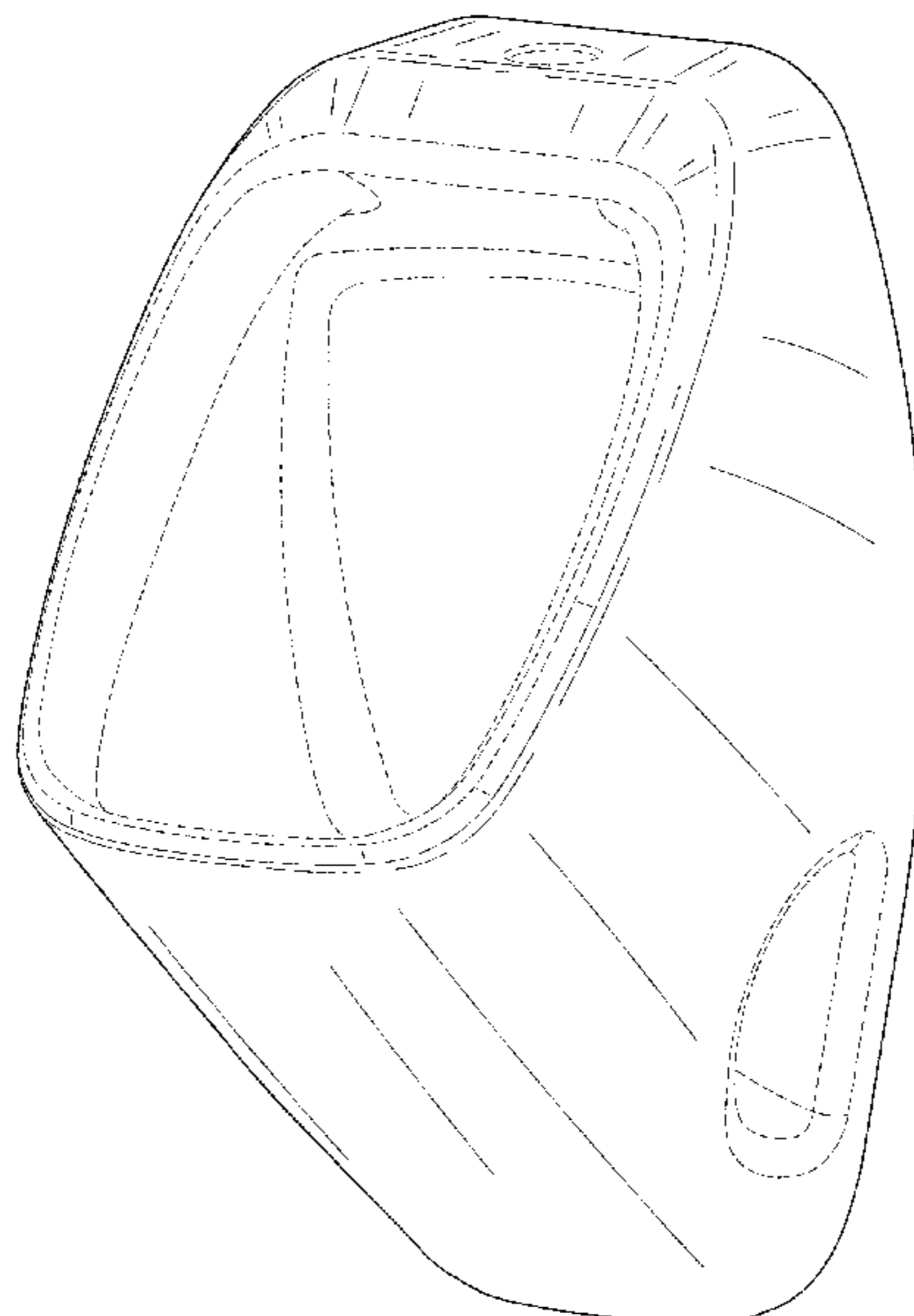
(57) **CLAIM**

The ornamental design for a urinal, as shown and described.

**DESCRIPTION**

FIG. 1 is a top, front, right perspective view of a urinal showing our new design;  
FIG. 2 is a front view thereof;  
FIG. 3 is a right side view thereof;  
FIG. 4 is a left side view thereof;  
FIG. 5 is a top view thereof; and,  
FIG. 6 is a bottom view thereof.  
In the drawings, the broken lines depict unclaimed portions of the urinal.

**1 Claim, 6 Drawing Sheets**



(56)

**References Cited**

FOREIGN PATENT DOCUMENTS

SK	000827001-0001	12/2007
WO	D063481-008	4/2003
WO	D098781-003	5/2018

\* cited by examiner

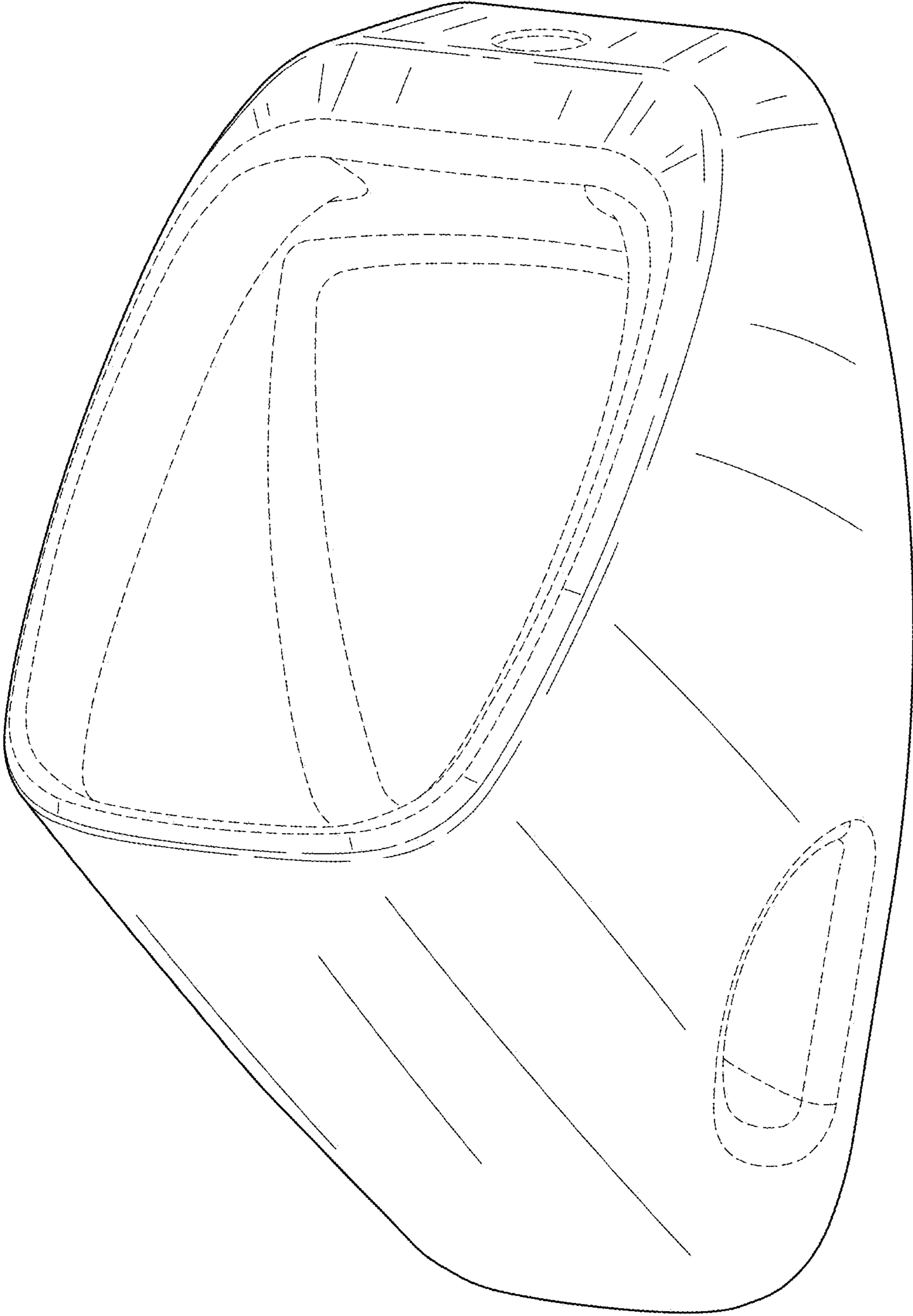


FIG. 1

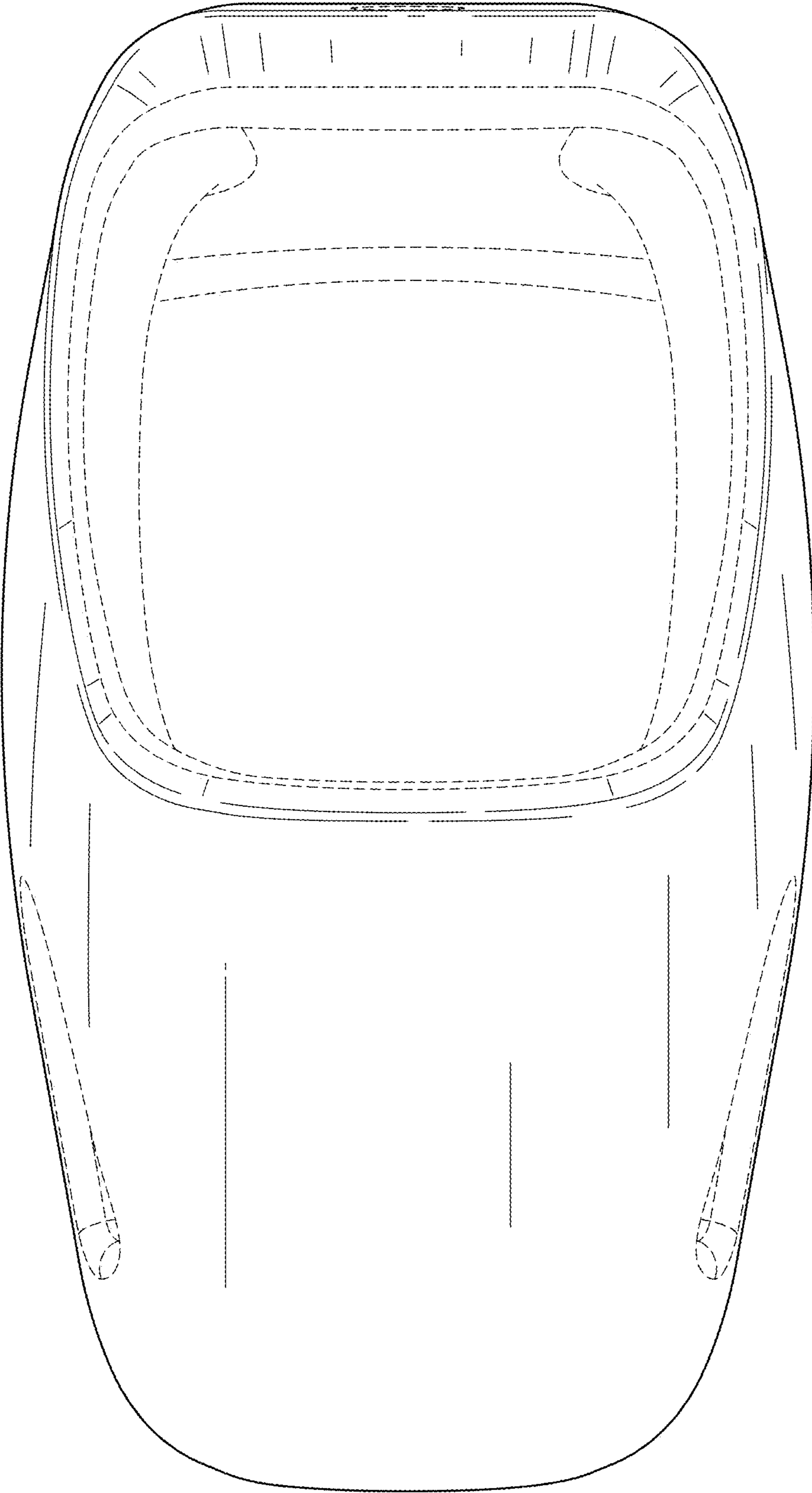
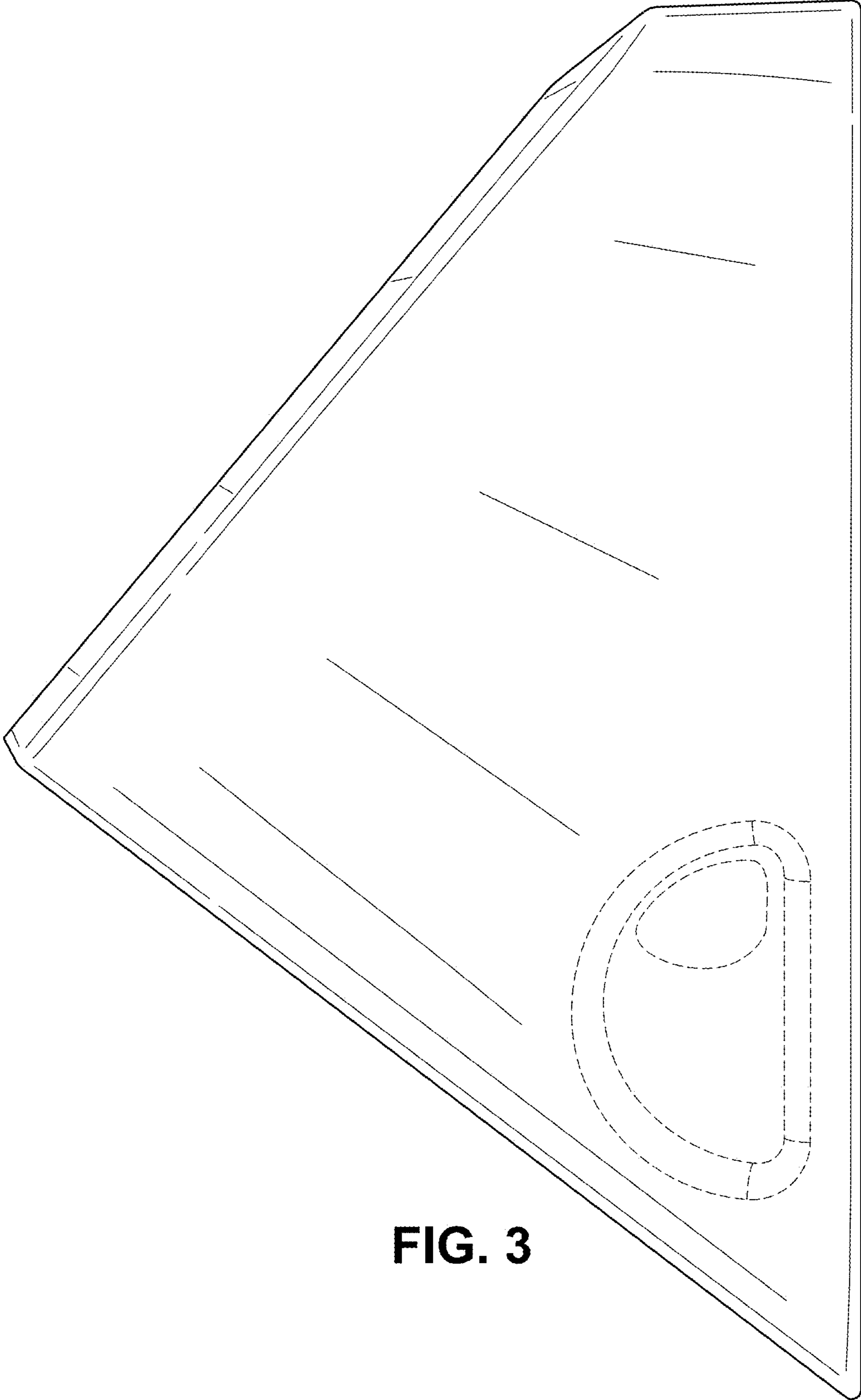
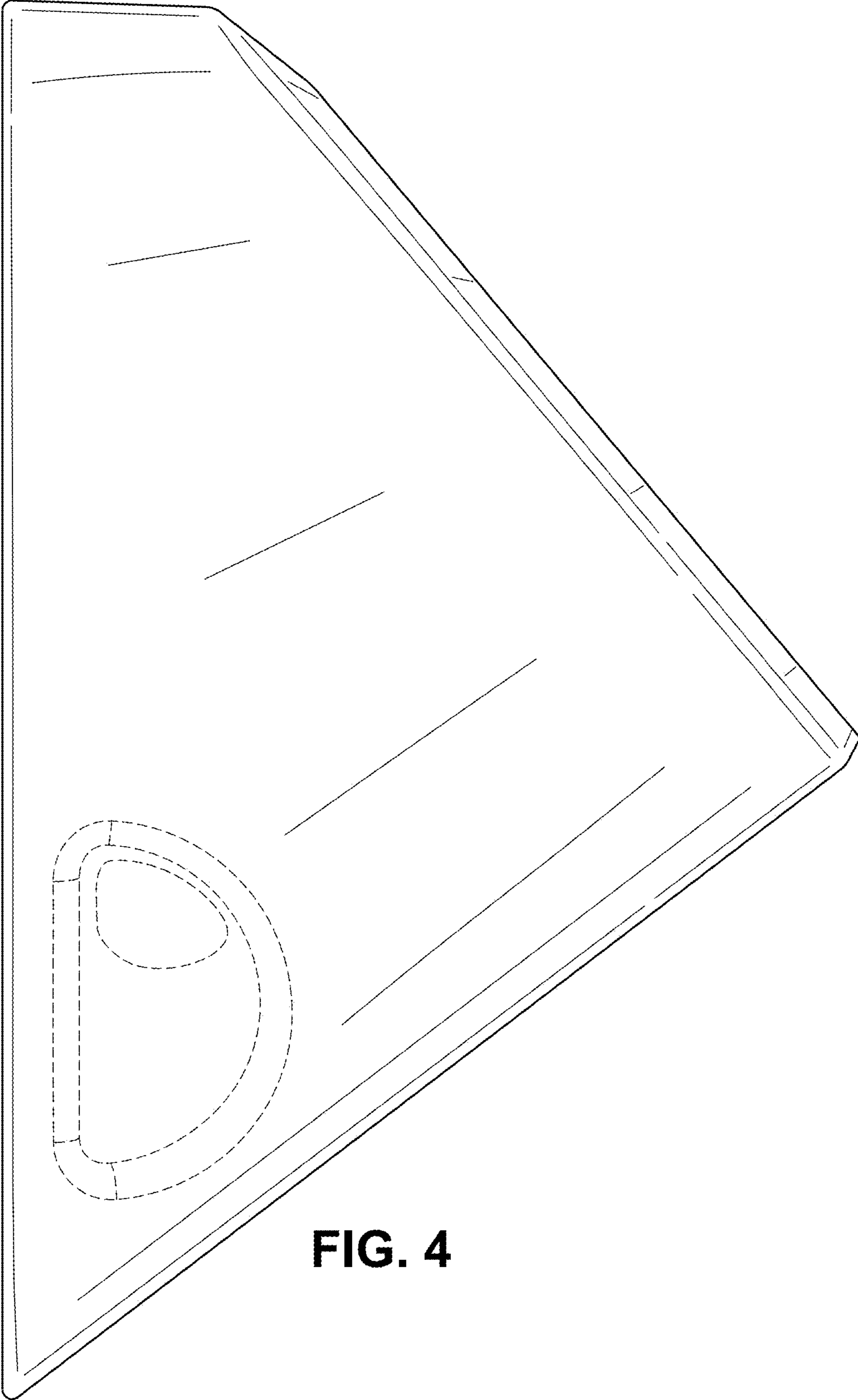


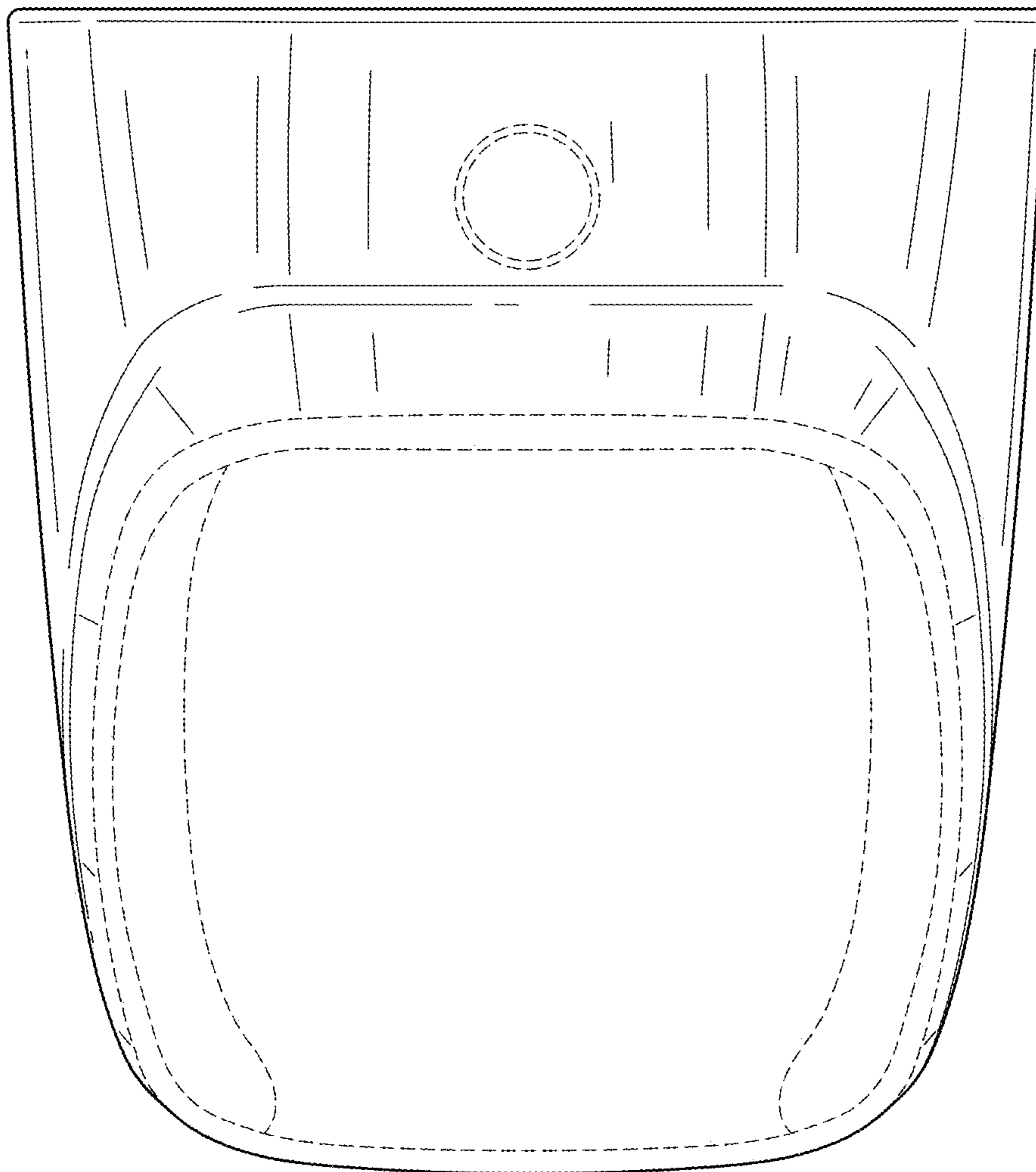
FIG. 2



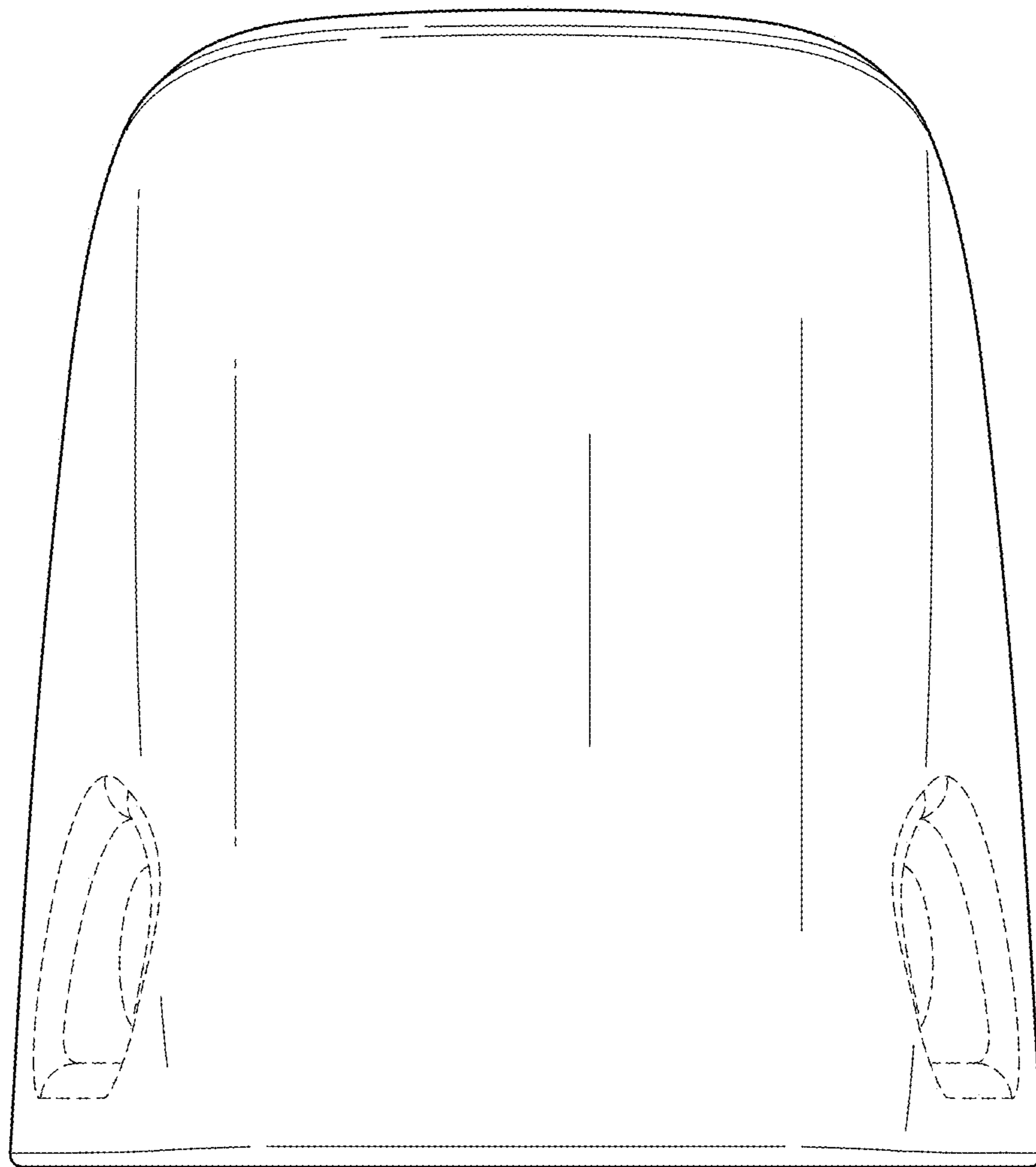
**FIG. 3**



**FIG. 4**



**FIG. 5**



**FIG. 6**