



US00D889611S

(12) **United States Design Patent**
Lippka

(10) **Patent No.:** **US D889,611 S**

(45) **Date of Patent:** **** Jul. 7, 2020**

(54) **PIPE COUPLING**

(71) Applicant: **Tyco Fire Products LP**, Lansdale, PA (US)

(72) Inventor: **Sandra M. Lippka**, Warwick, RI (US)

(73) Assignee: **Tyco Fire Products LP**, Lansdale, PA (US)

(**) Term: **15 Years**

(21) Appl. No.: **29/710,081**

(22) Filed: **Oct. 21, 2019**

Related U.S. Application Data

(62) Division of application No. 29/632,434, filed on Jan. 8, 2018, now Pat. No. Des. 865,919.

(51) **LOC (12) Cl.** **23-01**

(52) **U.S. Cl.**
USPC **D23/262; D8/396**

(58) **Field of Classification Search**
USPC 285/112, 179, 340, 367, 373, 404,
285/410-412, 414-415, 420; 404/44, 46,
(Continued)

(56) **References Cited**

U.S. PATENT DOCUMENTS

D142,057 S 8/1945 Baxter
D189,229 S 11/1960 Bowne
(Continued)

Primary Examiner — Amy C Wierenga

(74) *Attorney, Agent, or Firm* — Foley & Lardner LLP

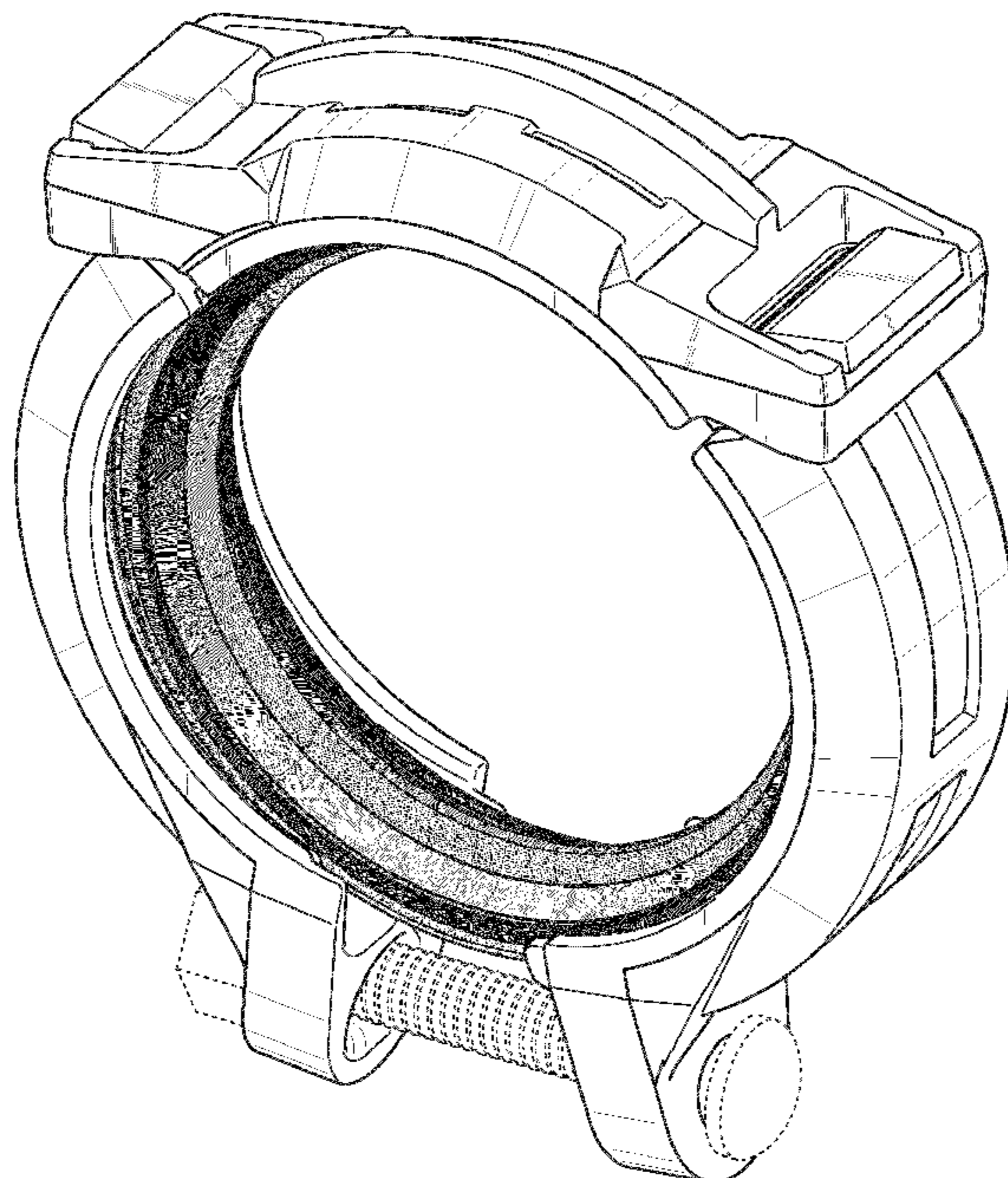
(57) **CLAIM**

The ornamental design for a pipe coupling, as shown and described.

DESCRIPTION

FIG. 1 is a perspective view showing a pipe coupling in accordance with a first embodiment of my new design; FIG. 2 is a front elevational view of the first embodiment; FIG. 3 is a rear elevational view of the first embodiment; FIG. 4 is a right side elevational view of the first embodiment; FIG. 5 is a left side elevational view of the first embodiment; FIG. 6 is a top plan view of the first embodiment; FIG. 7 is a bottom plan view of the first embodiment; FIG. 8 is a perspective view showing a pipe coupling in accordance with a second embodiment of my new design; FIG. 9 is a front elevational view of the second embodiment; FIG. 10 is a rear elevational view of the second embodiment; FIG. 11 is a right side elevational view of the second embodiment; FIG. 12 is a left side elevational view of the second embodiment; FIG. 13 is a top plan view of the second embodiment; FIG. 14 is a bottom plan view of the second embodiment; FIG. 15 is a perspective view showing a pipe coupling in accordance with a third embodiment of my new design; FIG. 16 is a front elevational view of the third embodiment; FIG. 17 is a rear elevational view of the third embodiment; FIG. 18 is a right side elevational view of the third embodiment; FIG. 19 is a left side elevational view of the third embodiment; FIG. 20 is a top plan view of the third embodiment; and, FIG. 21 is a bottom plan view of the third embodiment. The broken lines shown in the drawings are for the purpose of illustrating portions of the pipe coupling that form no part of the claim.

1 Claim, 15 Drawing Sheets



(58) **Field of Classification Search**

USPC 404/57, 290, 296, 309, 343–344;
 D23/259–260, 262–266
 CPC . F16L 21/02; F16L 21/04; F16L 21/06; F16L
 21/08; F16L 21/002; F16L 21/005; F16L
 21/022; F16L 3/1041; F16L 3/1075
 See application file for complete search history.

D629,074 S	12/2010	Shah et al.	
D629,076 S	12/2010	Madara et al.	
D629,078 S *	12/2010	Dole	D23/262
D629,080 S	12/2010	Dole et al.	
D629,082 S	12/2010	Dole et al.	
D650,889 S	12/2011	Van Walraven	
D680,630 S	4/2013	Beagen, Jr.	
D813,025 S	3/2018	Yesavage et al.	
D823,443 S	7/2018	Bancroft et al.	
D836,184 S *	12/2018	Lippka	D23/262
D836,185 S *	12/2018	Lippka	D23/262
D839,398 S *	1/2019	Lippka	D23/262
D839,399 S *	1/2019	Lippka	D23/262
D850,900 S *	6/2019	Yesavage	D8/396
D856,123 S *	8/2019	Bancroft	D8/395
D861,473 S *	10/2019	Yesavage	D8/396
D863,051 S *	10/2019	Bancroft	D8/394
D863,052 S *	10/2019	Bancroft	D8/394
2008/0265568 A1 *	10/2008	Bekkevold	F16L 23/08 285/148.6
2012/0139236 A1	6/2012	Novitsky et al.	
2014/0327238 A1	11/2014	Bowman	
2015/0176728 A1	6/2015	Bowman	
2016/0186902 A1	6/2016	Lee	
2017/0328500 A1	11/2017	Bowman et al.	
2017/0328505 A1	11/2017	Sith et al.	
2018/0156362 A1	6/2018	Takeda et al.	
2018/0163905 A1	6/2018	Ohnemus et al.	
2018/0209567 A1	7/2018	Brandt et al.	
2018/0347732 A1	12/2018	Kang et al.	

(56) **References Cited**

U.S. PATENT DOCUMENTS

D283,486 S *	4/1986	Fogel	D8/396
D488,852 S	4/2004	Pampinella	
D536,607 S *	2/2007	Bekkevold	D8/396
D577,423 S	9/2008	Dole	
D597,635 S	8/2009	Dole	
D598,076 S	8/2009	Dole	
D600,325 S	9/2009	Porter et al.	
D600,784 S	9/2009	Henry et al.	
D602,127 S	10/2009	Shah et al.	
D605,734 S	12/2009	Henry et al.	
D605,735 S	12/2009	Shah et al.	
D605,736 S	12/2009	Porter et al.	
D616,532 S	5/2010	Madara et al.	
D616,533 S	5/2010	Bowman et al.	
D618,312 S	6/2010	Madara et al.	
D618,314 S	6/2010	Bowman et al.	
D625,785 S	10/2010	Madara et al.	
D625,786 S	10/2010	Bowman et al.	

* cited by examiner

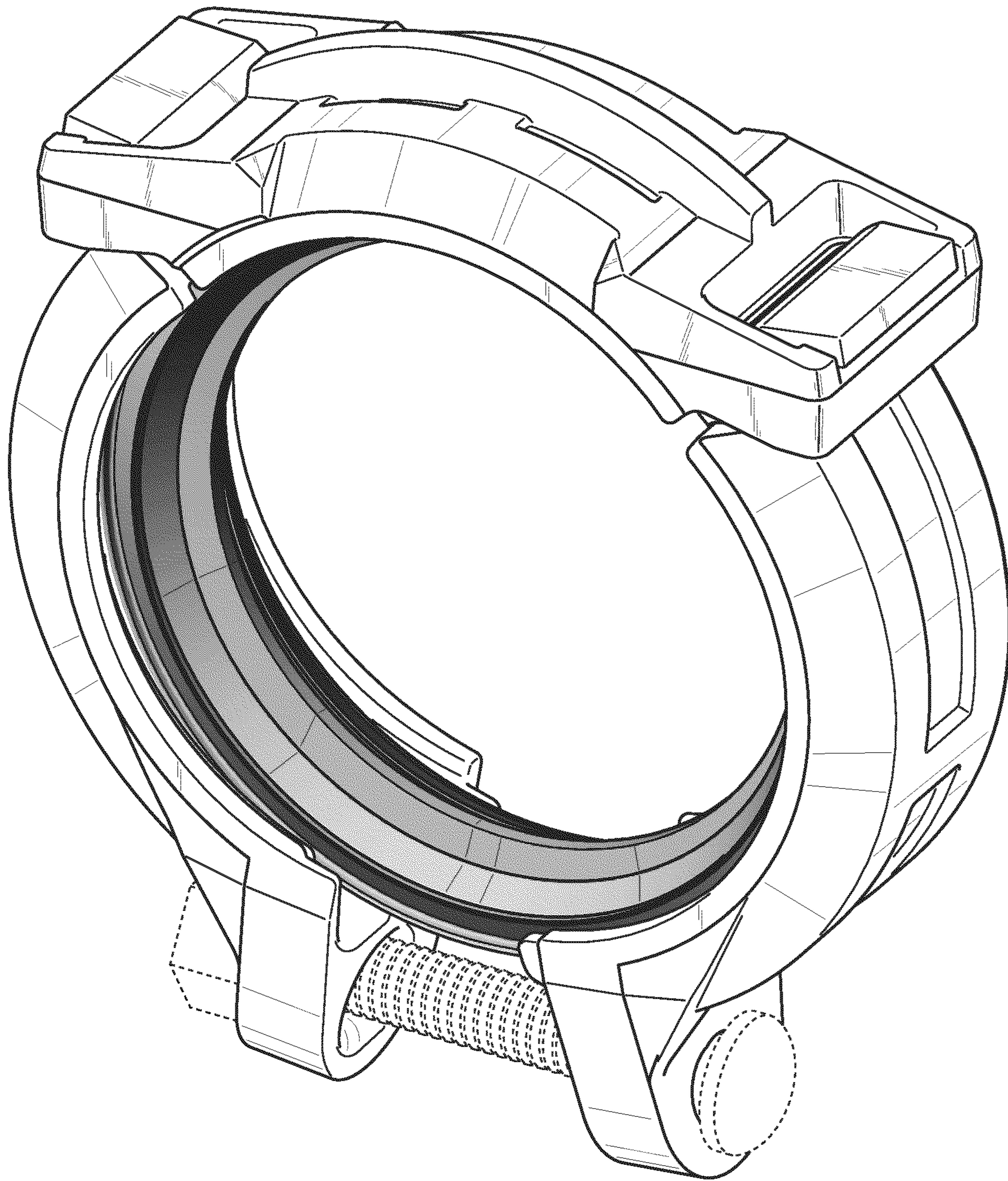


FIG. 1

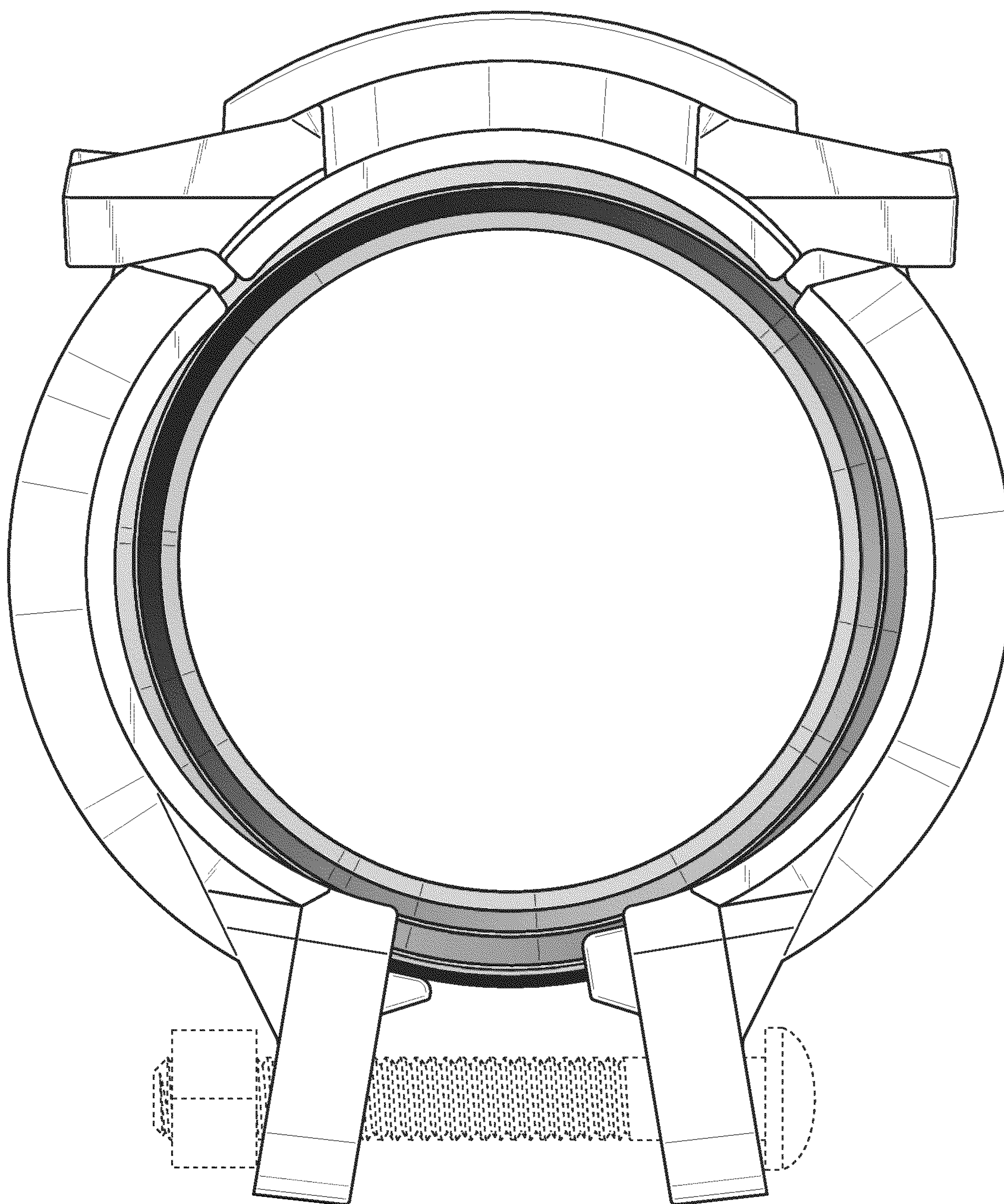


FIG. 2

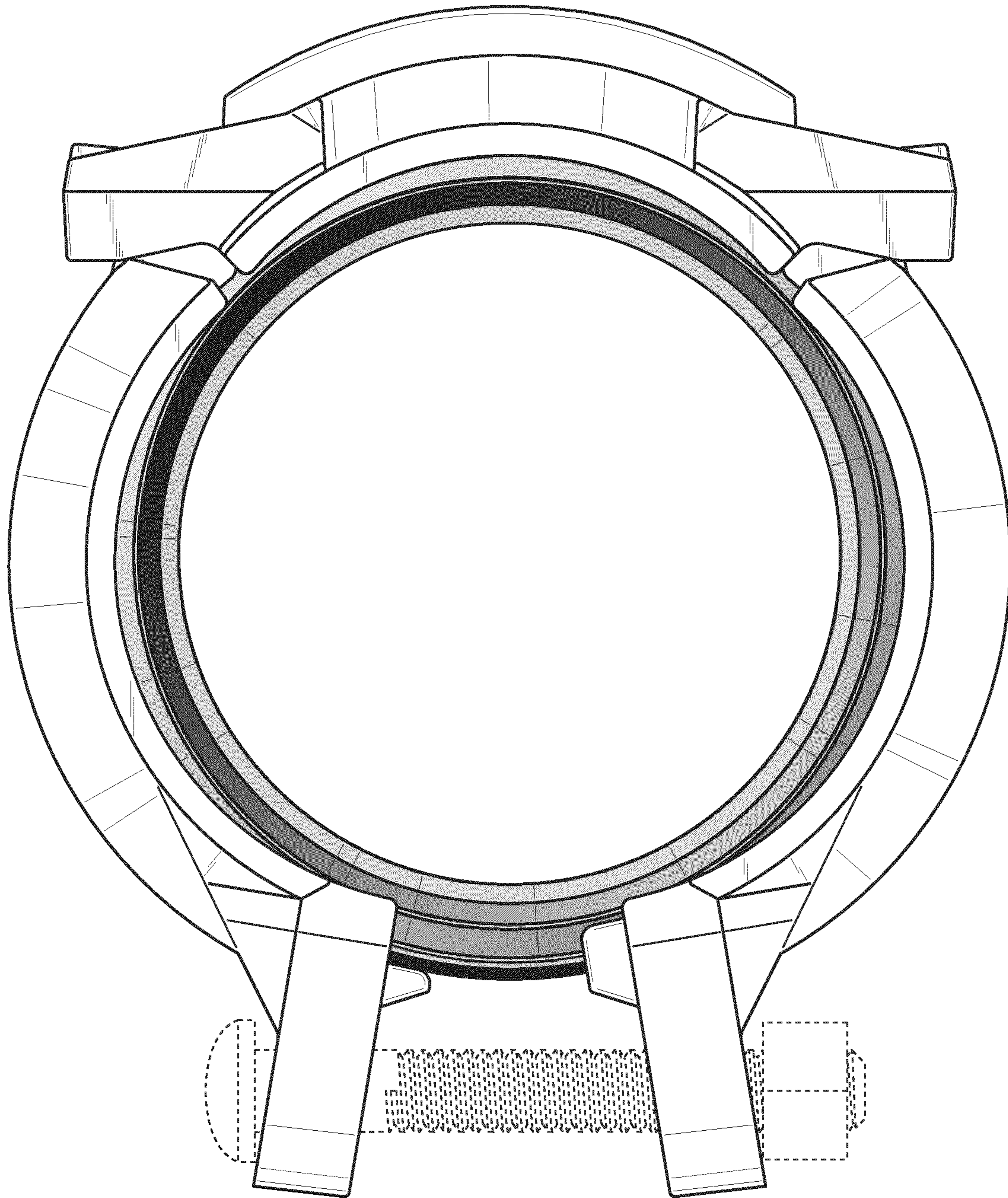


FIG. 3

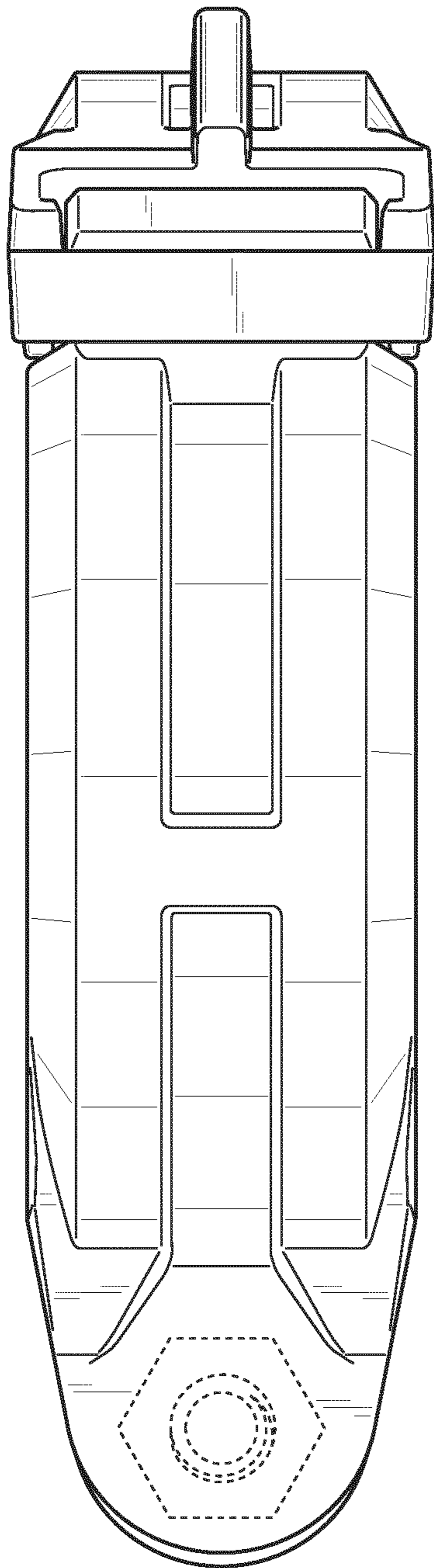


FIG. 4

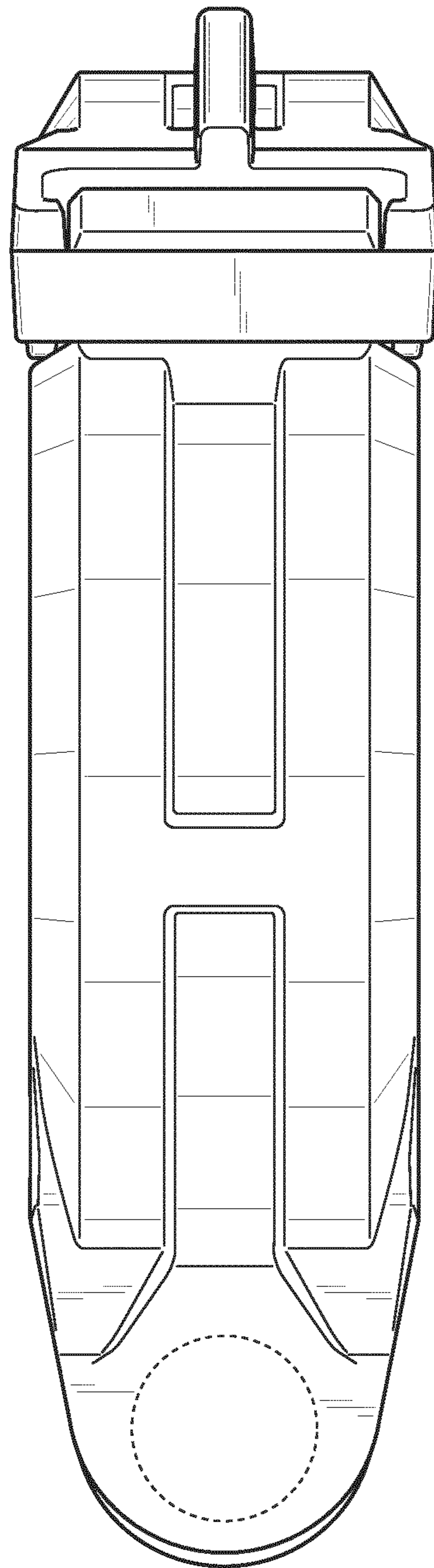


FIG. 5

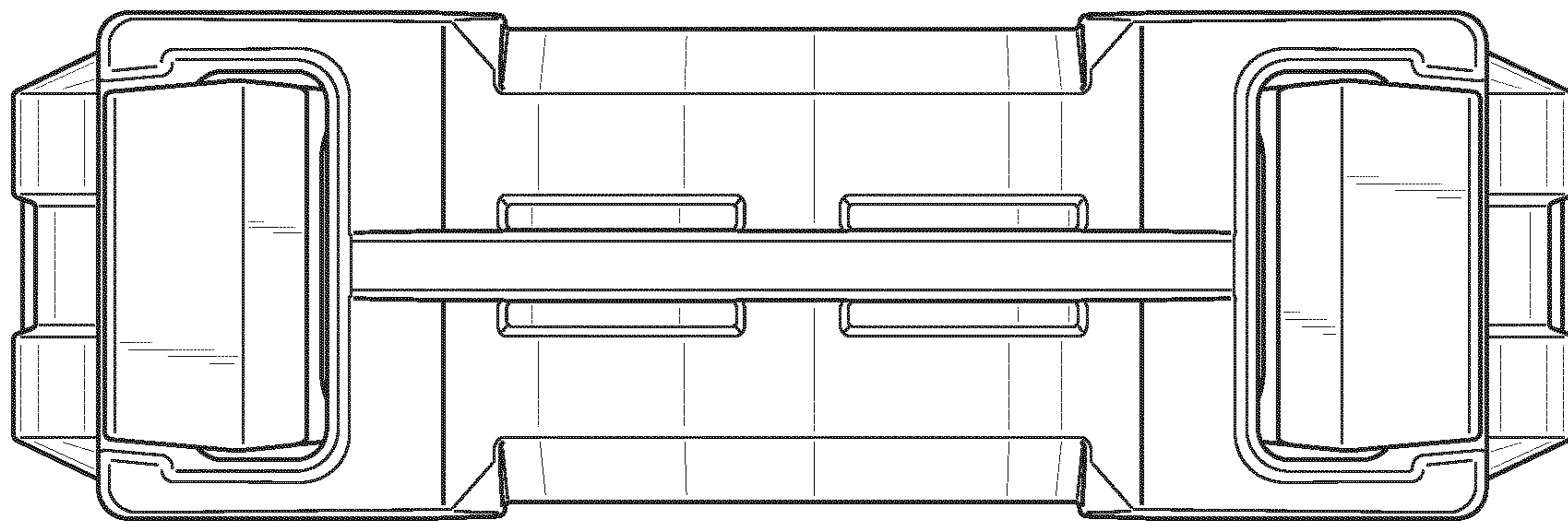


FIG. 6

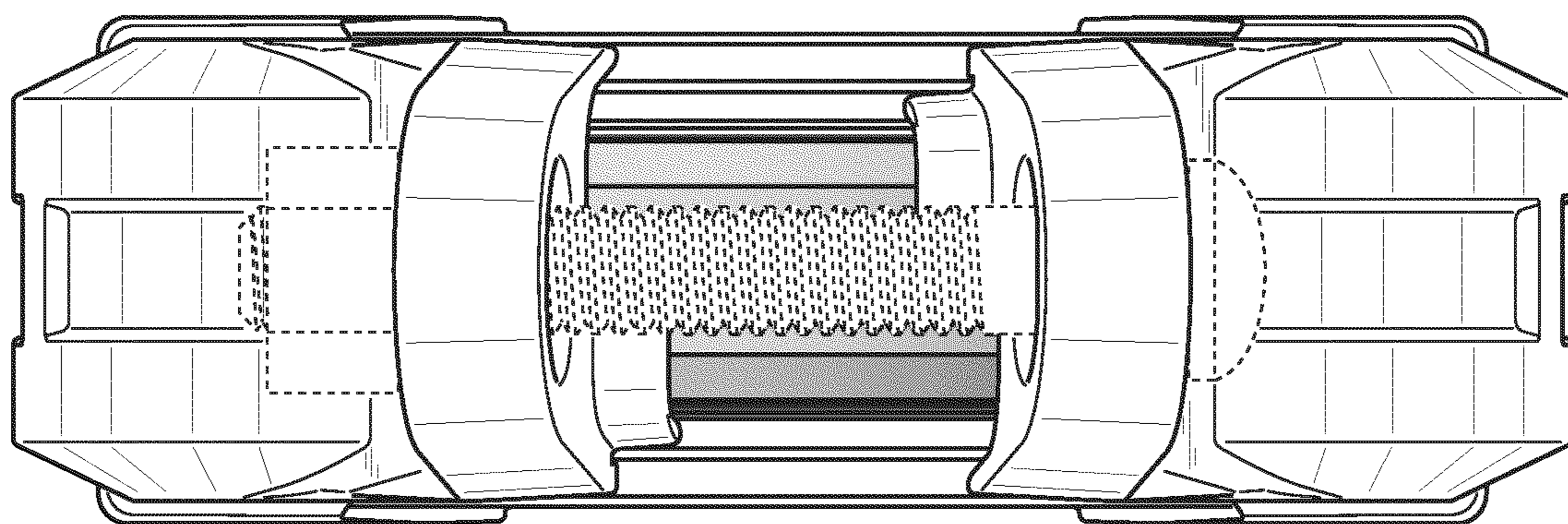


FIG. 7

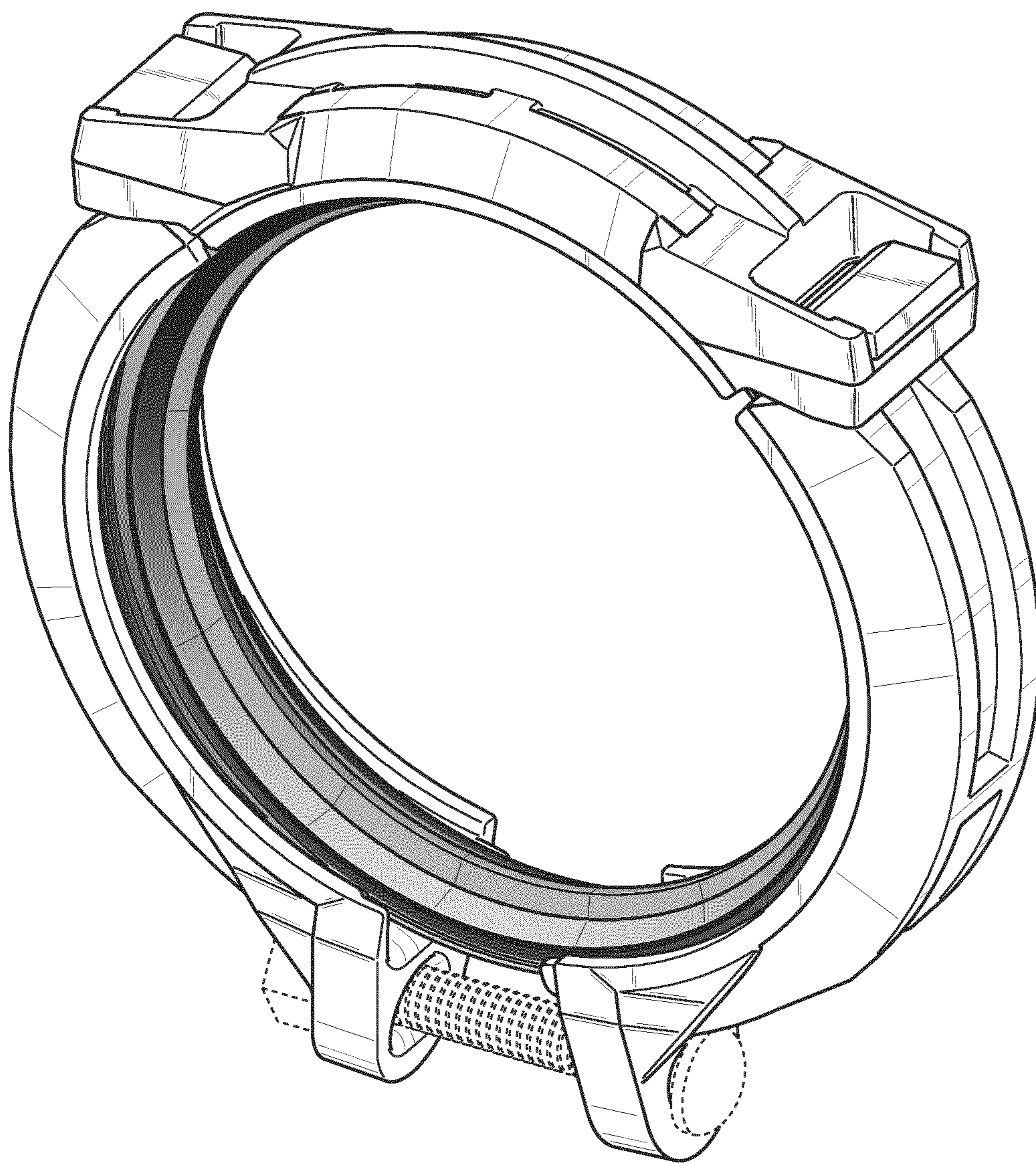


FIG. 8

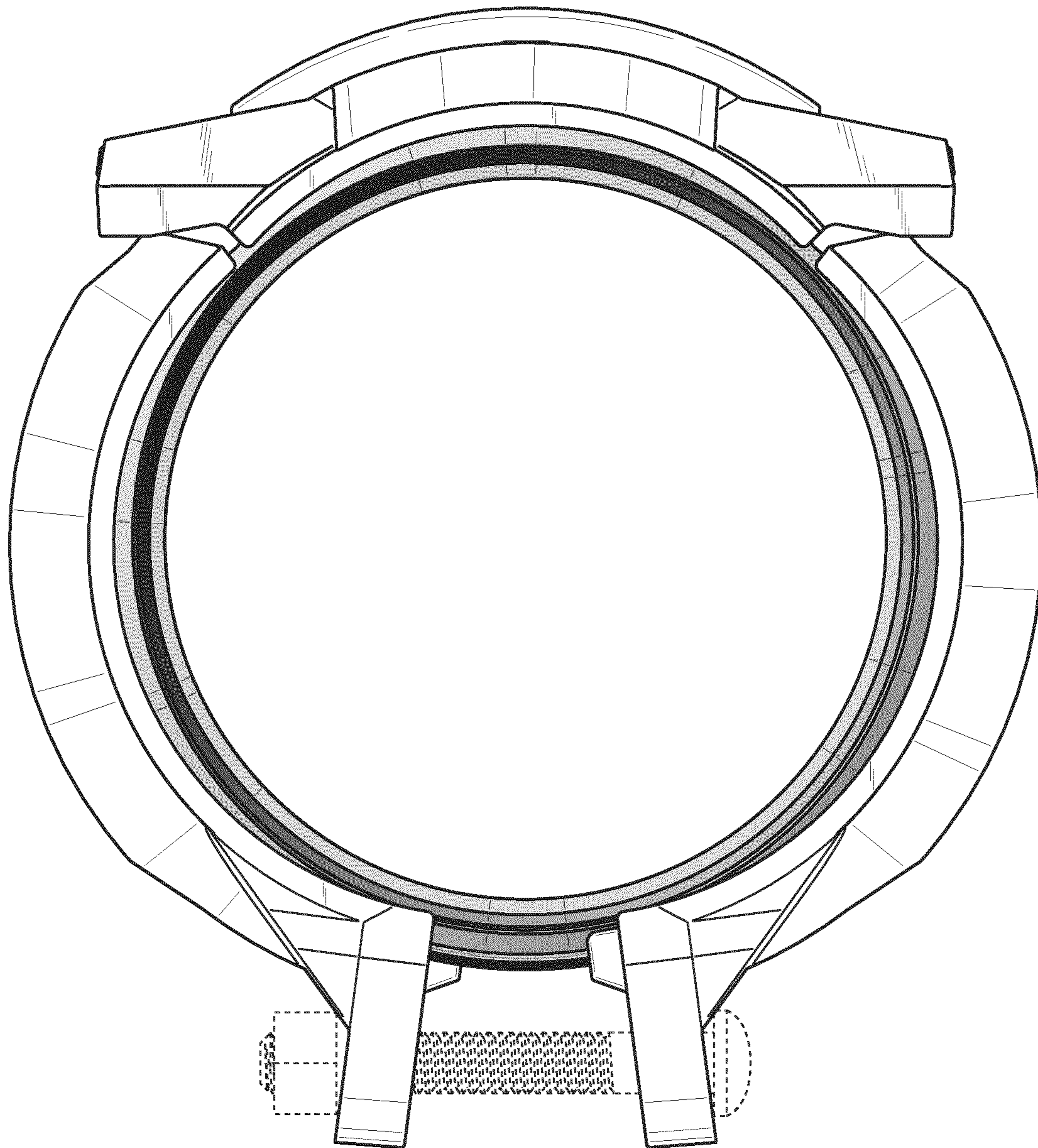


FIG. 9

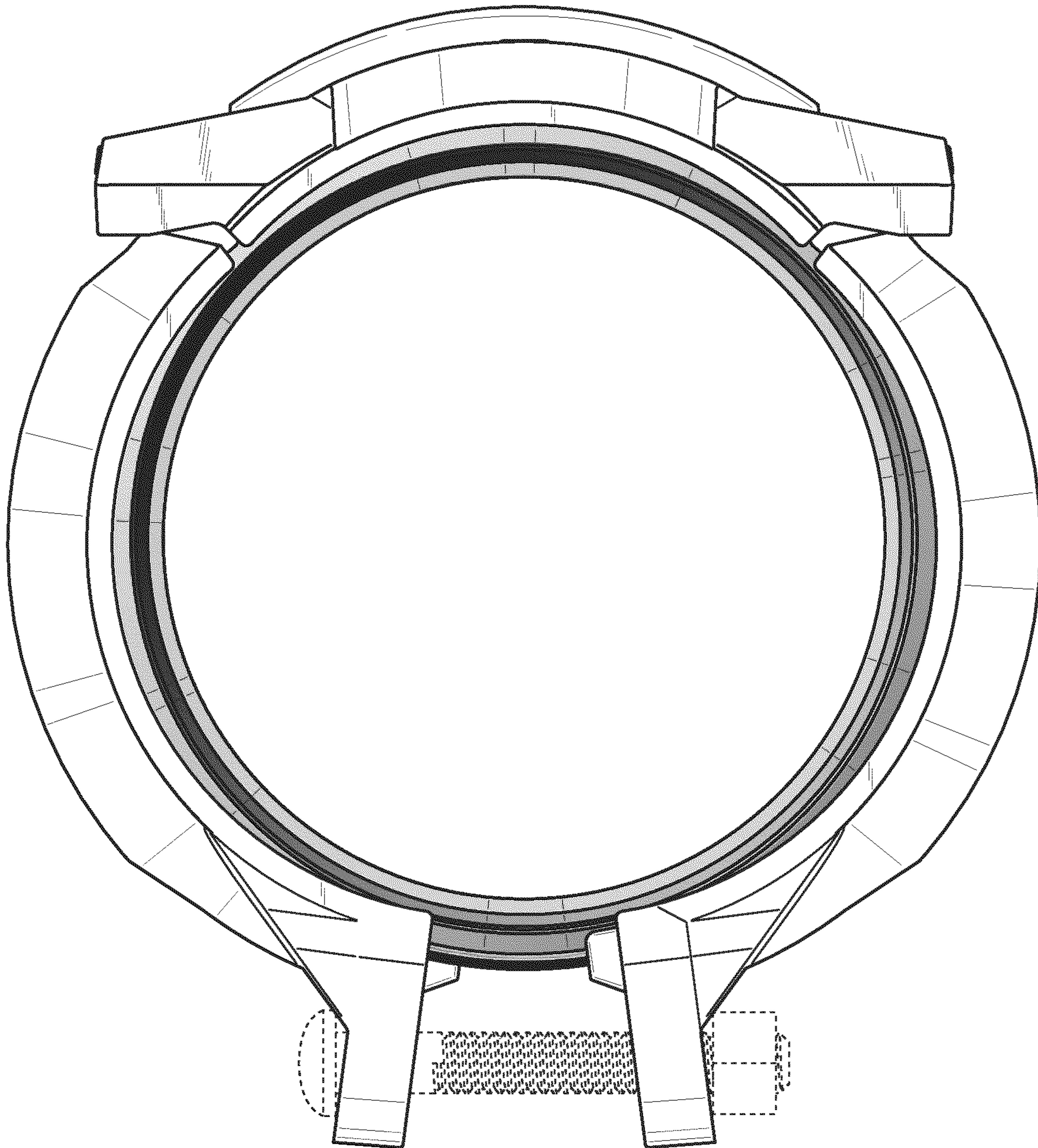


FIG. 10

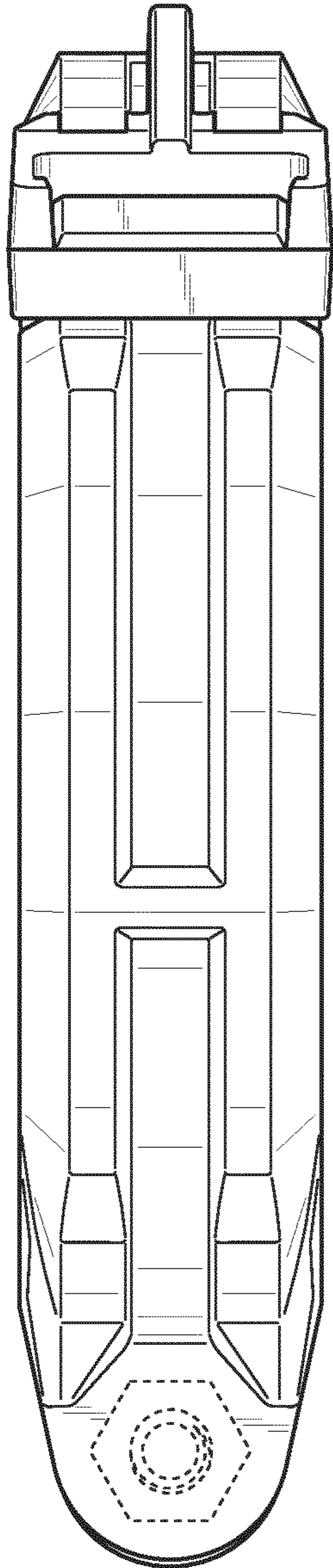


FIG. 11

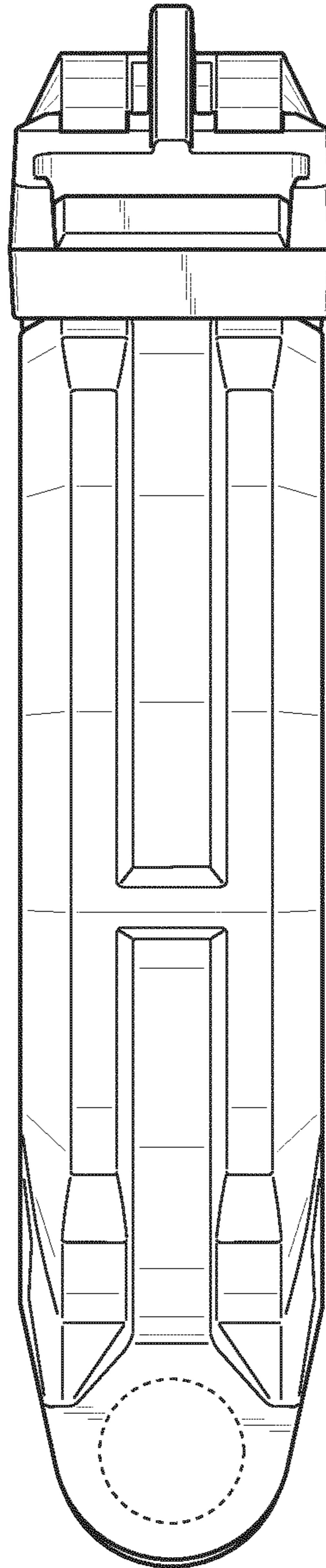


FIG. 12

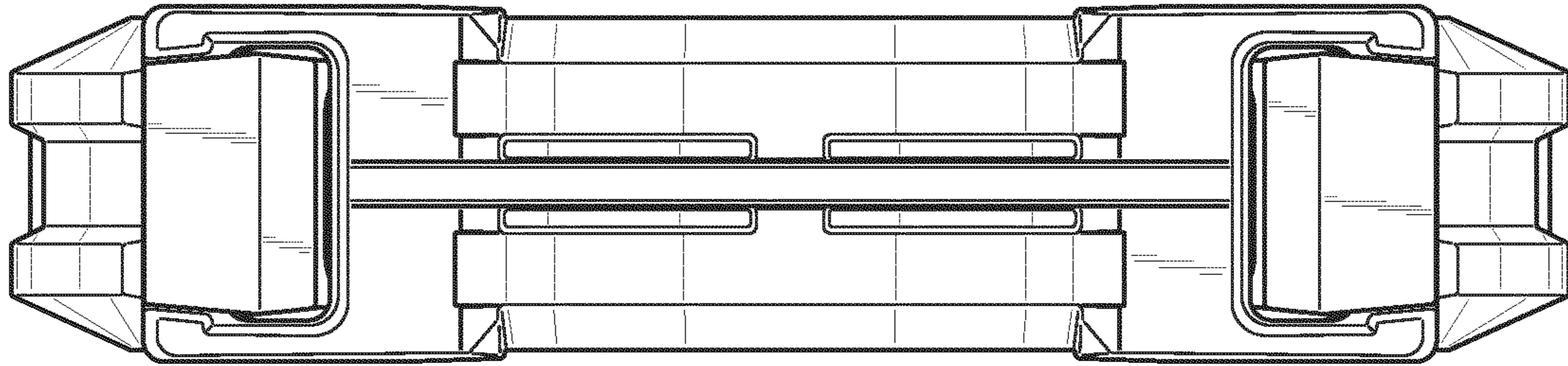


FIG. 13

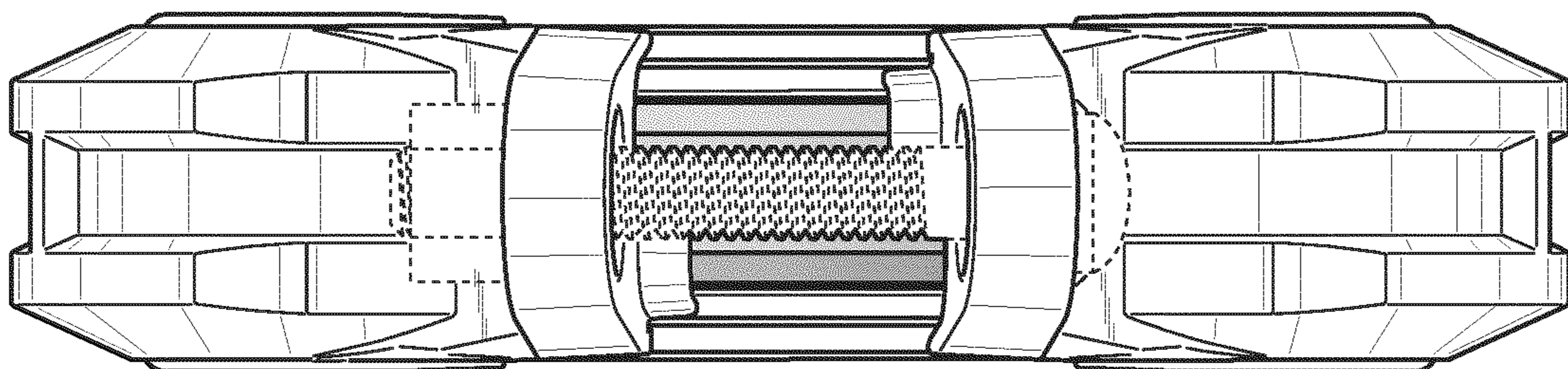


FIG. 14

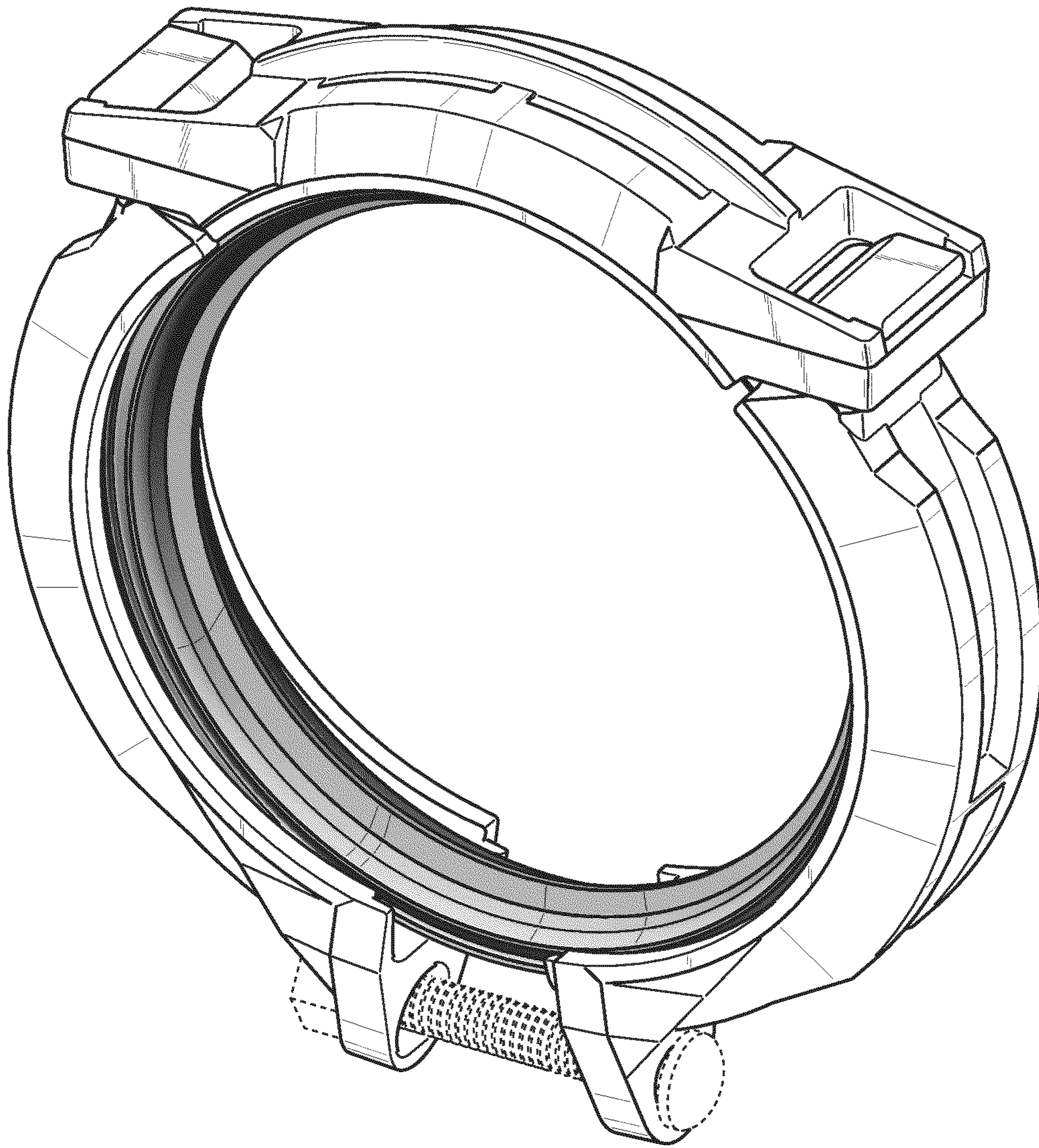


FIG. 15

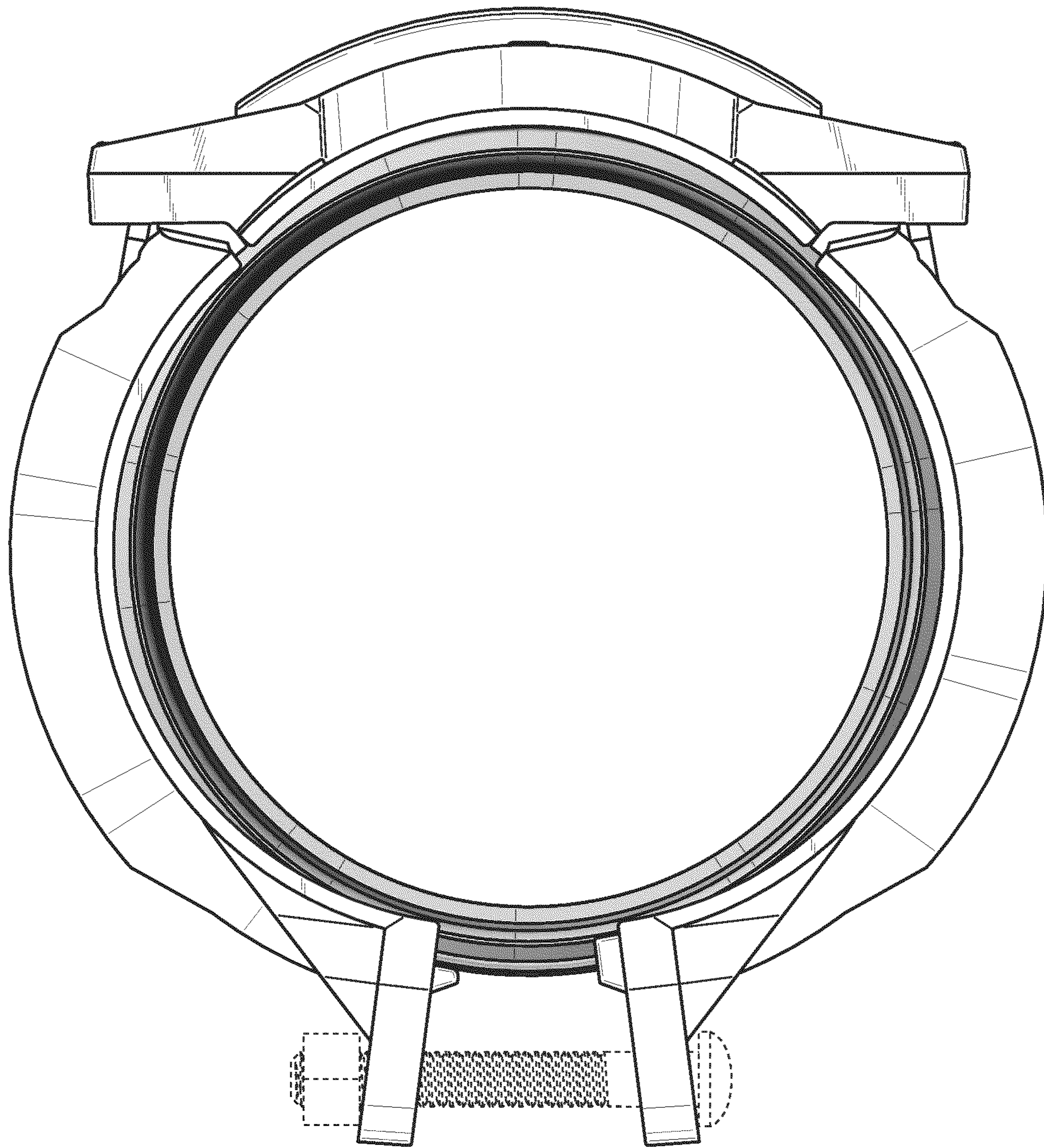


FIG. 16

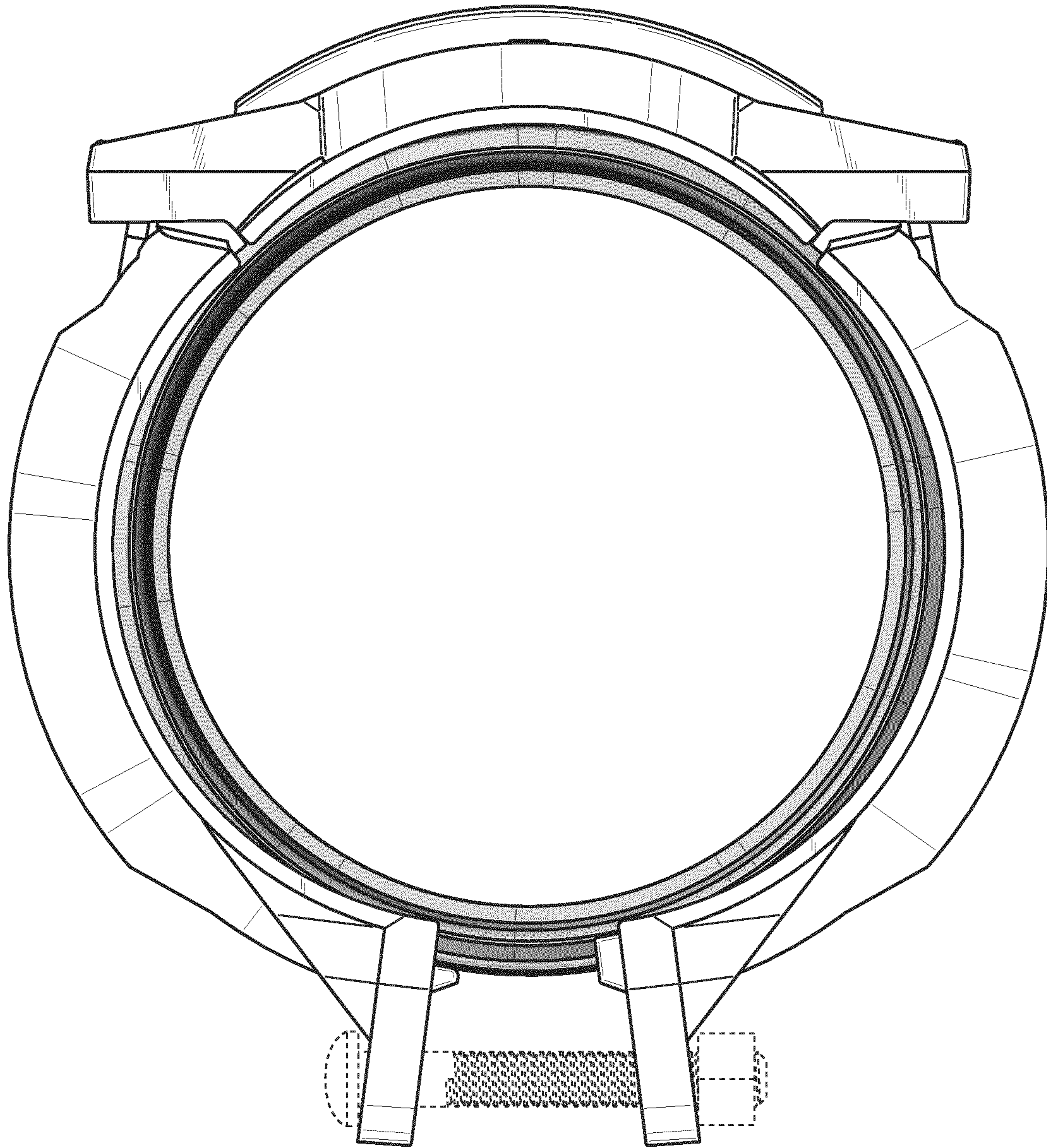


FIG. 17

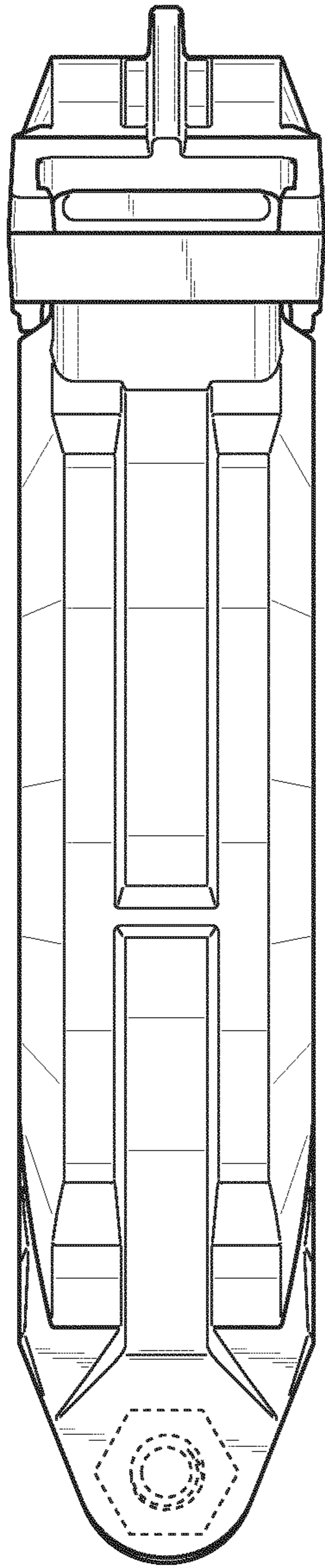


FIG. 18

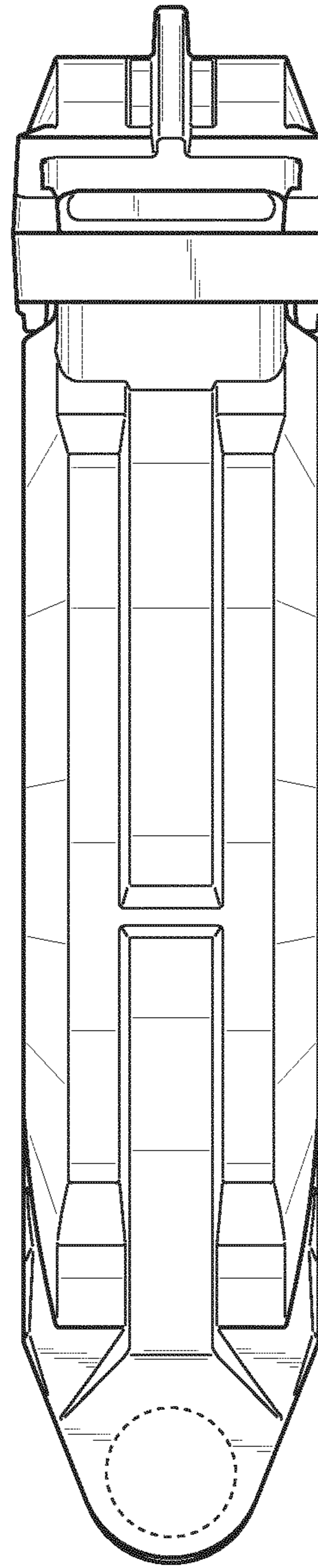


FIG. 19

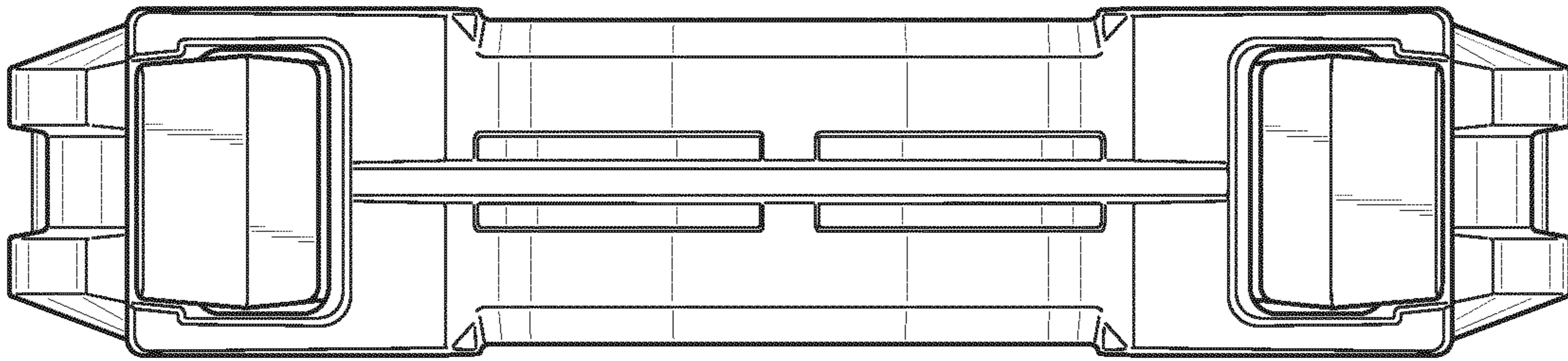


FIG. 20

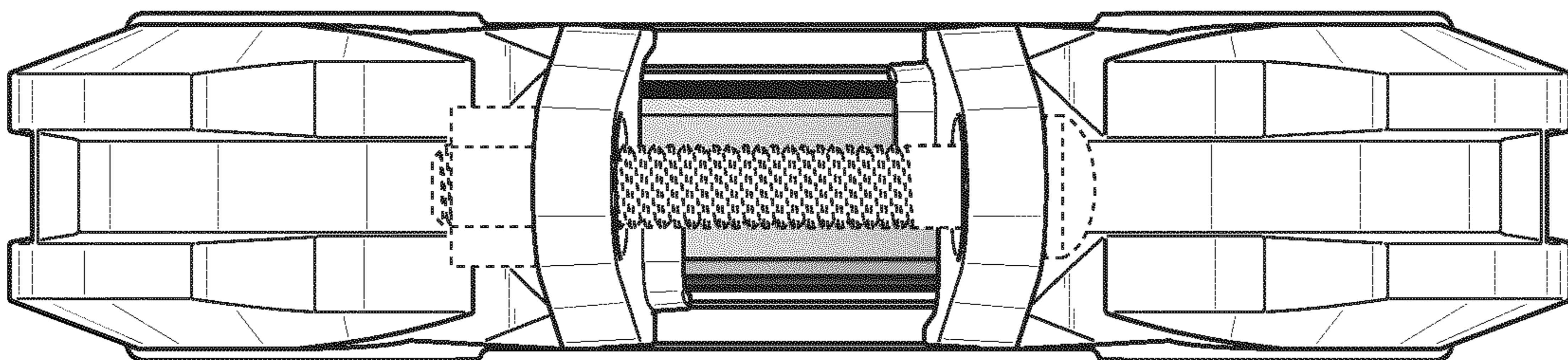


FIG. 21