



US00D889605S

(12) **United States Design Patent** (10) **Patent No.:** **US D889,605 S**  
**Auxter et al.** (45) **Date of Patent:** **\*\* Jul. 7, 2020**

(54) **TWO-PIECE RELIEF VALVE COMPONENT** 5,395,518 A \* 3/1995 Gulsvig ..... B01D 27/06  
210/132  
(71) Applicant: **FRAM GROUP IP LLC**, Lake Forest, IL (US) 6,284,130 B1 9/2001 Daniel  
9,995,408 B1 \* 6/2018 Yager ..... F16K 17/12  
D835,756 S \* 12/2018 Auxter ..... D23/249  
(72) Inventors: **Daniel Auxter**, Genoa, OH (US); D844,113 S \* 3/2019 Auxter ..... D23/249  
**Timothy L Memmer**, Bowling Green, OH (US) D877,298 S \* 3/2020 Auxter ..... D23/249  
2015/0219226 A1 8/2015 Bilski et al.  
2018/0304179 A1 \* 10/2018 Auxter ..... B01D 35/1475

(73) Assignee: **Fram Group IP LLC**, Lake Forest, IL (US)

(\*\*) Term: **15 Years**

(21) Appl. No.: **29/712,851**

(22) Filed: **Nov. 12, 2019**

**Related U.S. Application Data**

(62) Division of application No. 29/633,800, filed on Jan. 16, 2018, now Pat. No. Des. 877,298.

(51) **LOC (12) Cl.** ..... **23-01**

(52) **U.S. Cl.**  
USPC ..... **D23/249**

(58) **Field of Classification Search**  
USPC ..... D23/233, 235, 237, 244, 249; 210/130, 210/132; 137/526, 533.11, 542  
CPC . F16K 17/02; F16K 24/04; F16K 1/42; F16K 1/465; F16K 24/06; B01D 2201/291; B01D 2201/34; B01D 35/306; B01D 35/005; B01D 35/30

See application file for complete search history.

(56) **References Cited**

**U.S. PATENT DOCUMENTS**

3,305,095 A \* 2/1967 Hathaway ..... B01D 27/103  
210/130  
3,567,022 A 3/1971 Thornton et al.  
3,589,517 A 6/1971 Palmai  
5,363,878 A \* 11/1994 Atkins ..... F16K 15/144  
137/526

**FOREIGN PATENT DOCUMENTS**

GB 1592613 7/1981

**OTHER PUBLICATIONS**

International Search Report and Written Opinion of PCT/US18/29027 dated Jul. 20, 2018.

\* cited by examiner

*Primary Examiner* — Gino Colan

(74) *Attorney, Agent, or Firm* — Miller Canfield

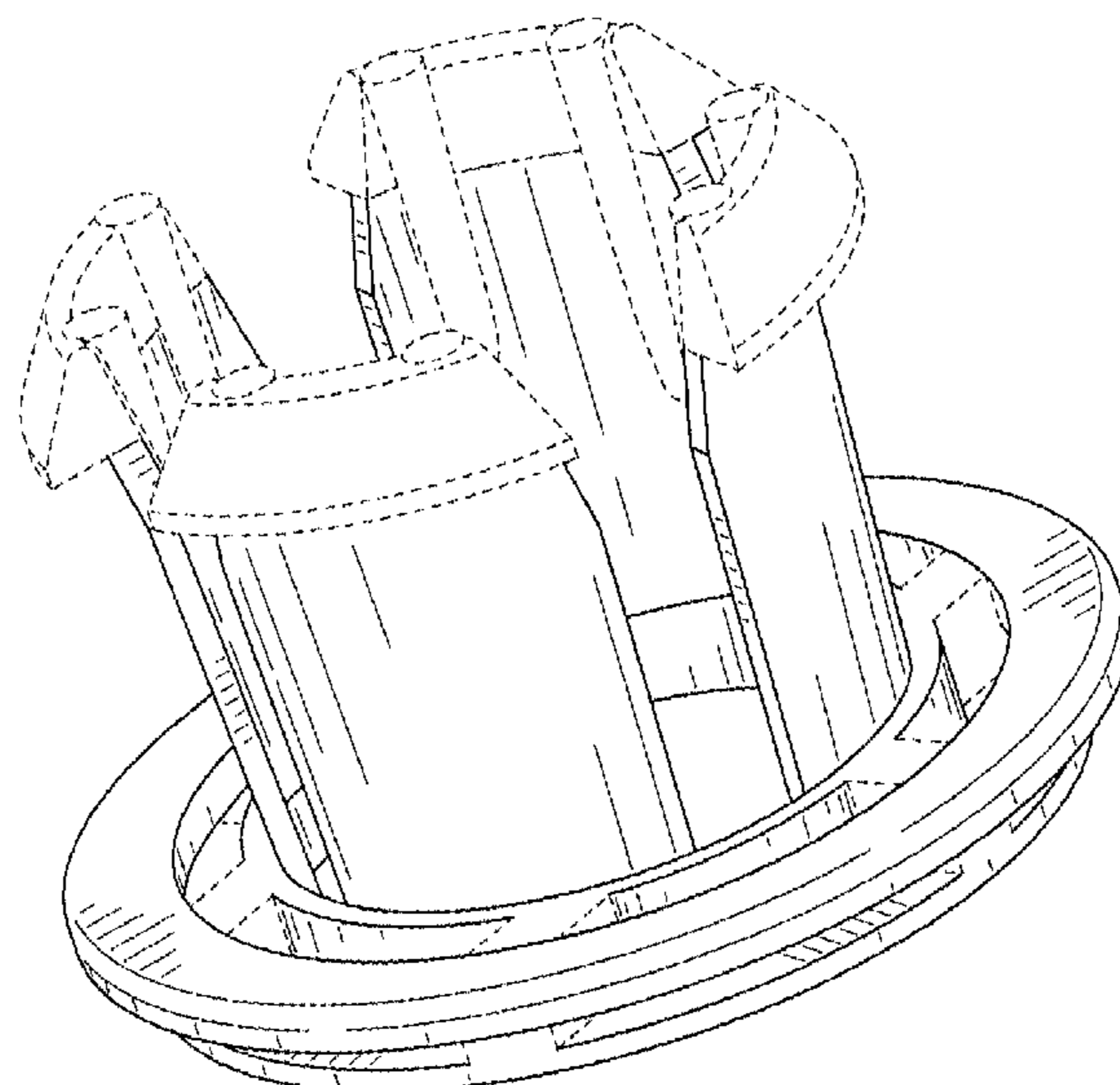
(57) **CLAIM**

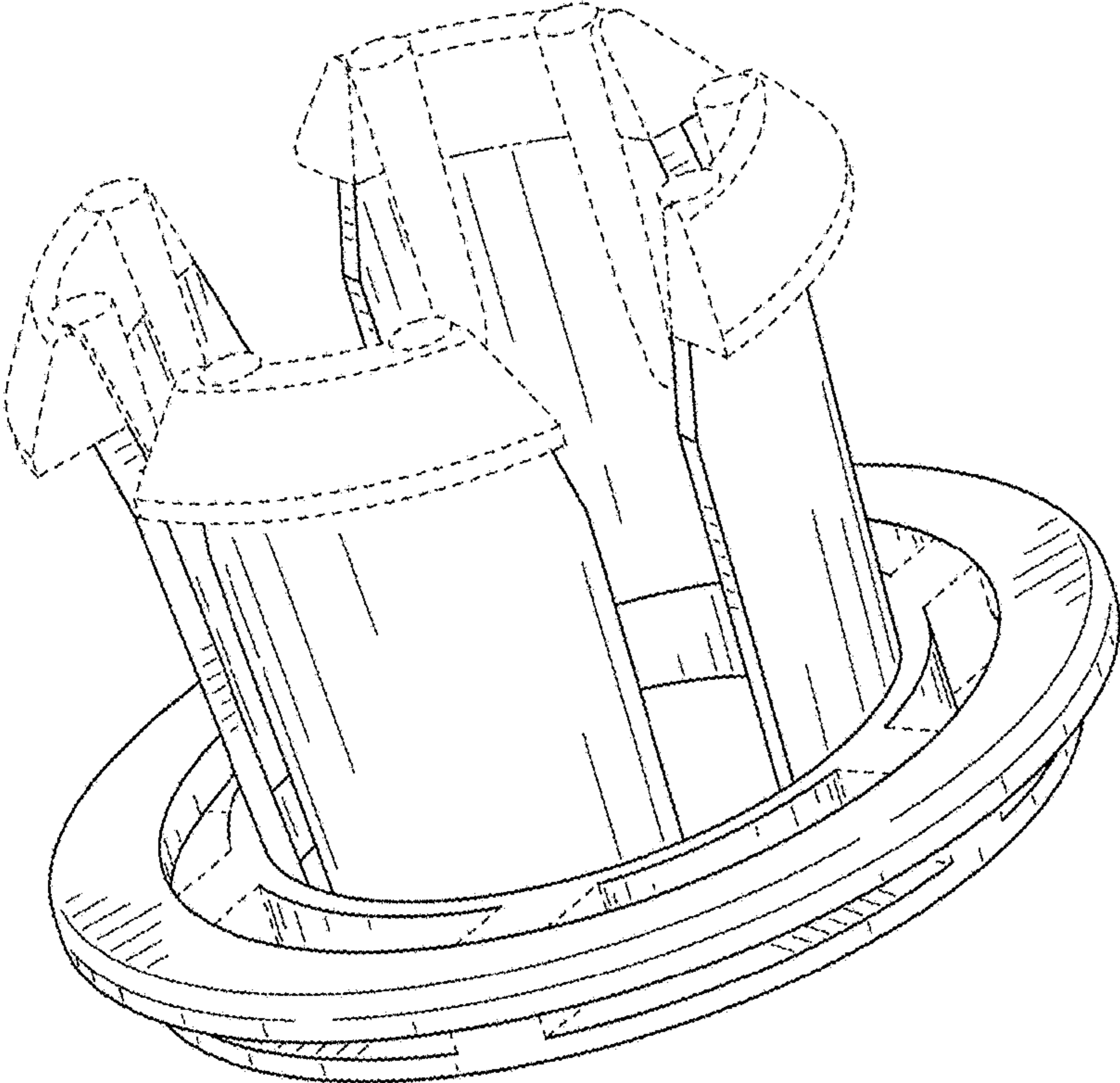
The ornamental design for a two-piece relief valve component, as shown and described.

**DESCRIPTION**

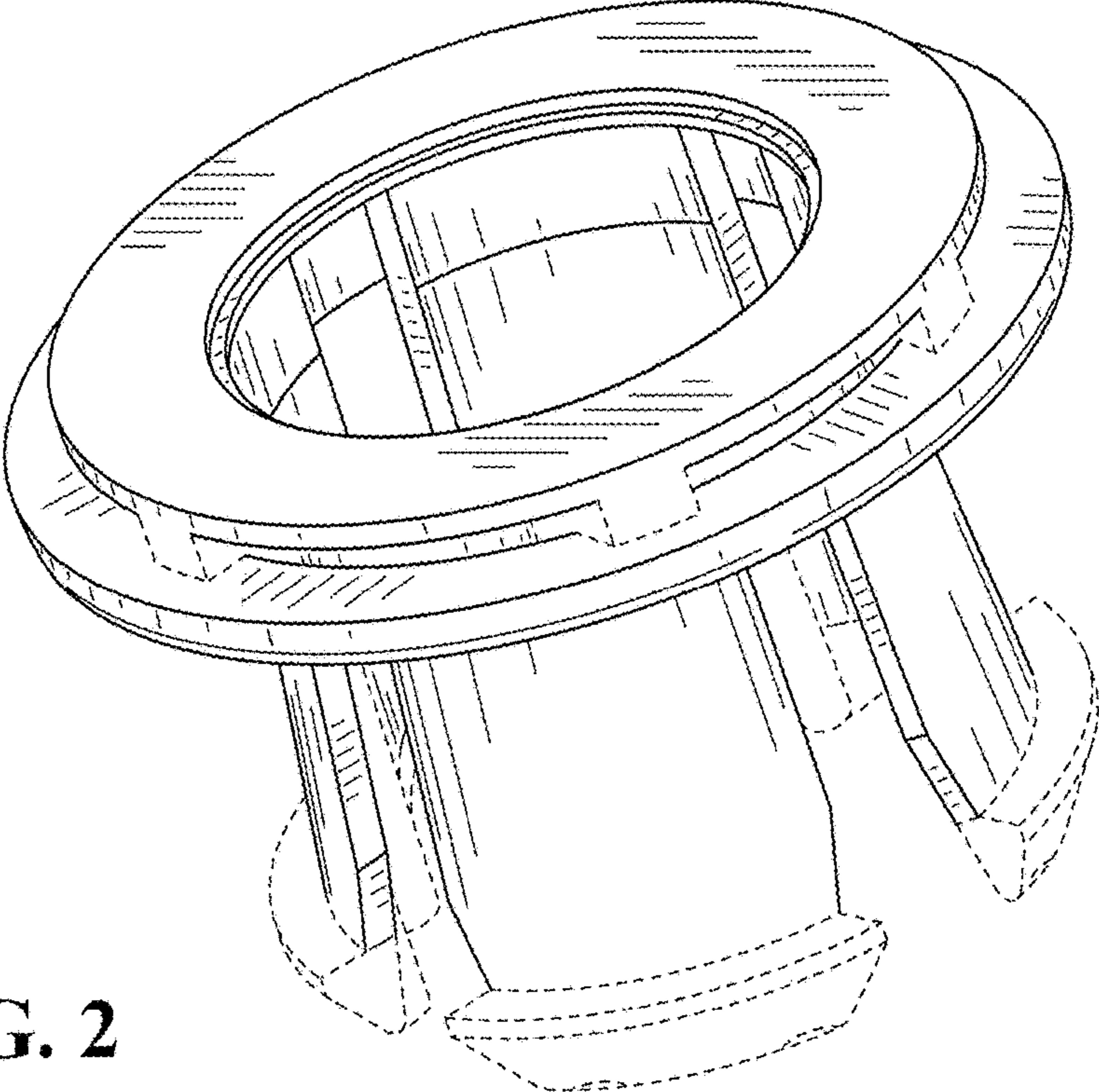
FIG. 1 is a side perspective view of a two-piece relief valve component showing our new design; FIG. 2 is a bottom perspective view thereof; FIG. 3 is a left side view thereof; FIG. 4 is a right side view thereof; FIG. 5 is a top plan view thereof; FIG. 6 is a bottom plan view thereof; and, FIG. 7 is an exploded side perspective view thereof. The broken lines shown in the drawings are for purposes of illustrating portions of the two-piece relief valve component which form no part of the claimed design.

**1 Claim, 4 Drawing Sheets**





**FIG. 1**



**FIG. 2**

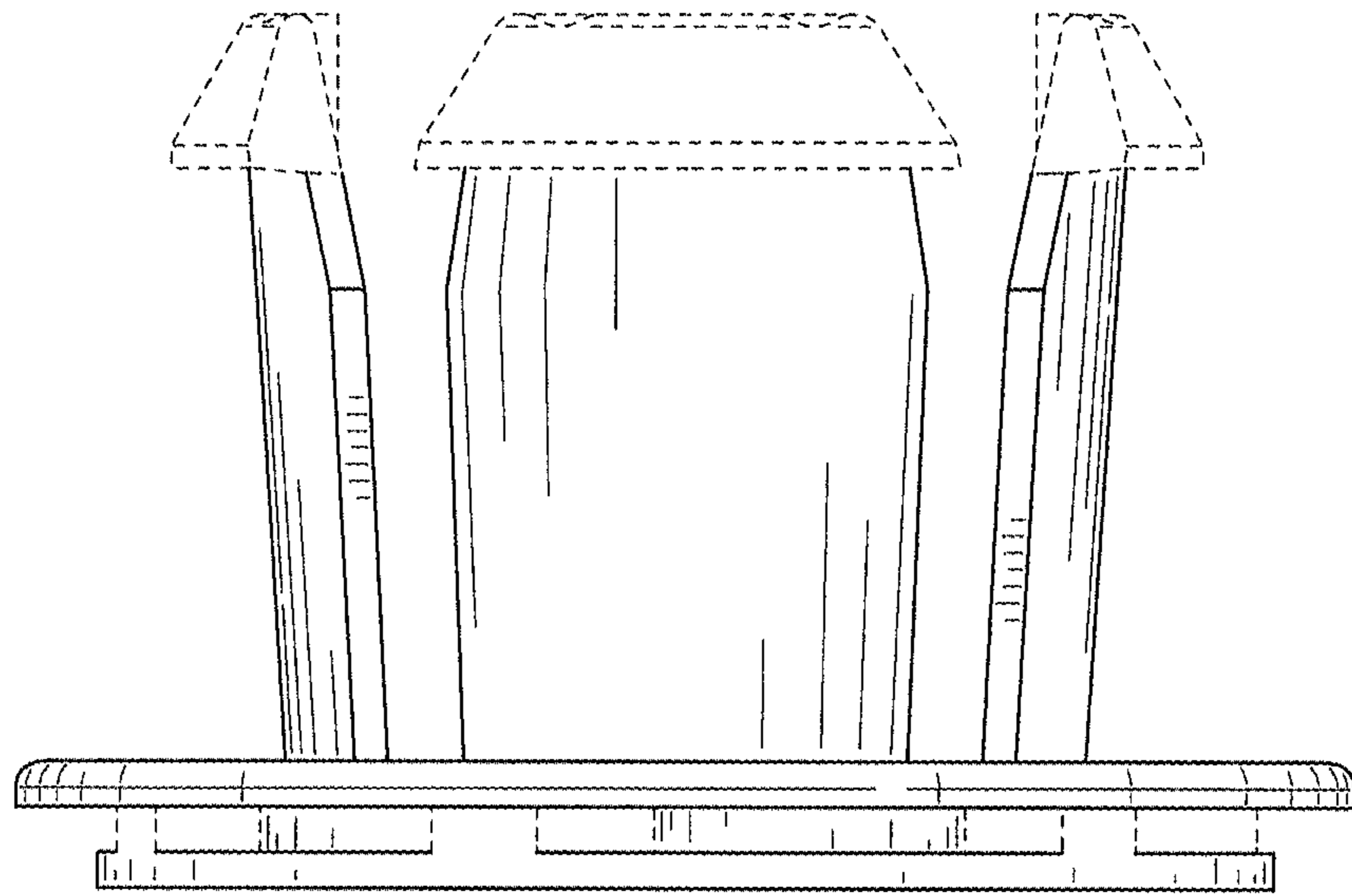


FIG. 3

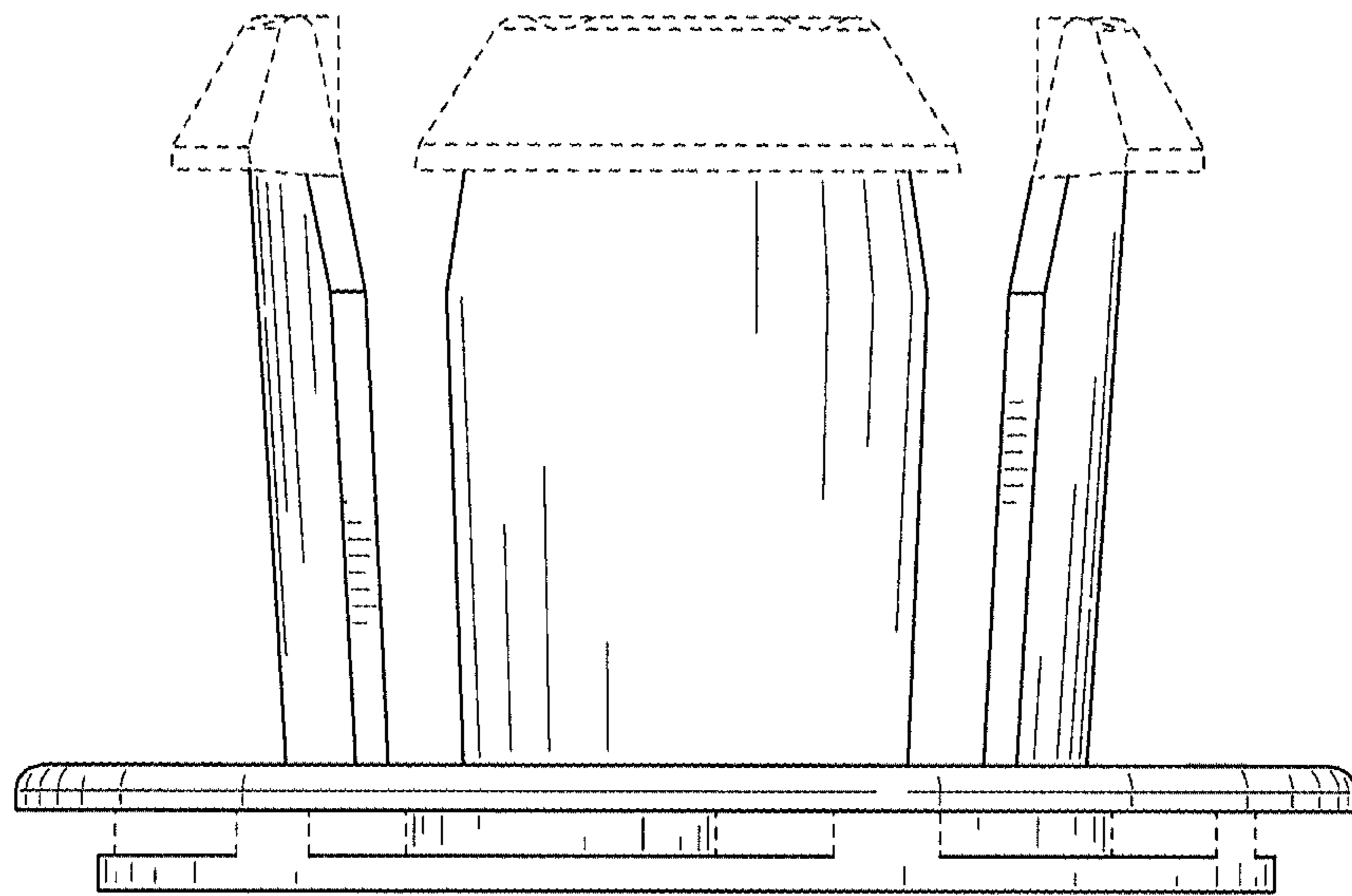
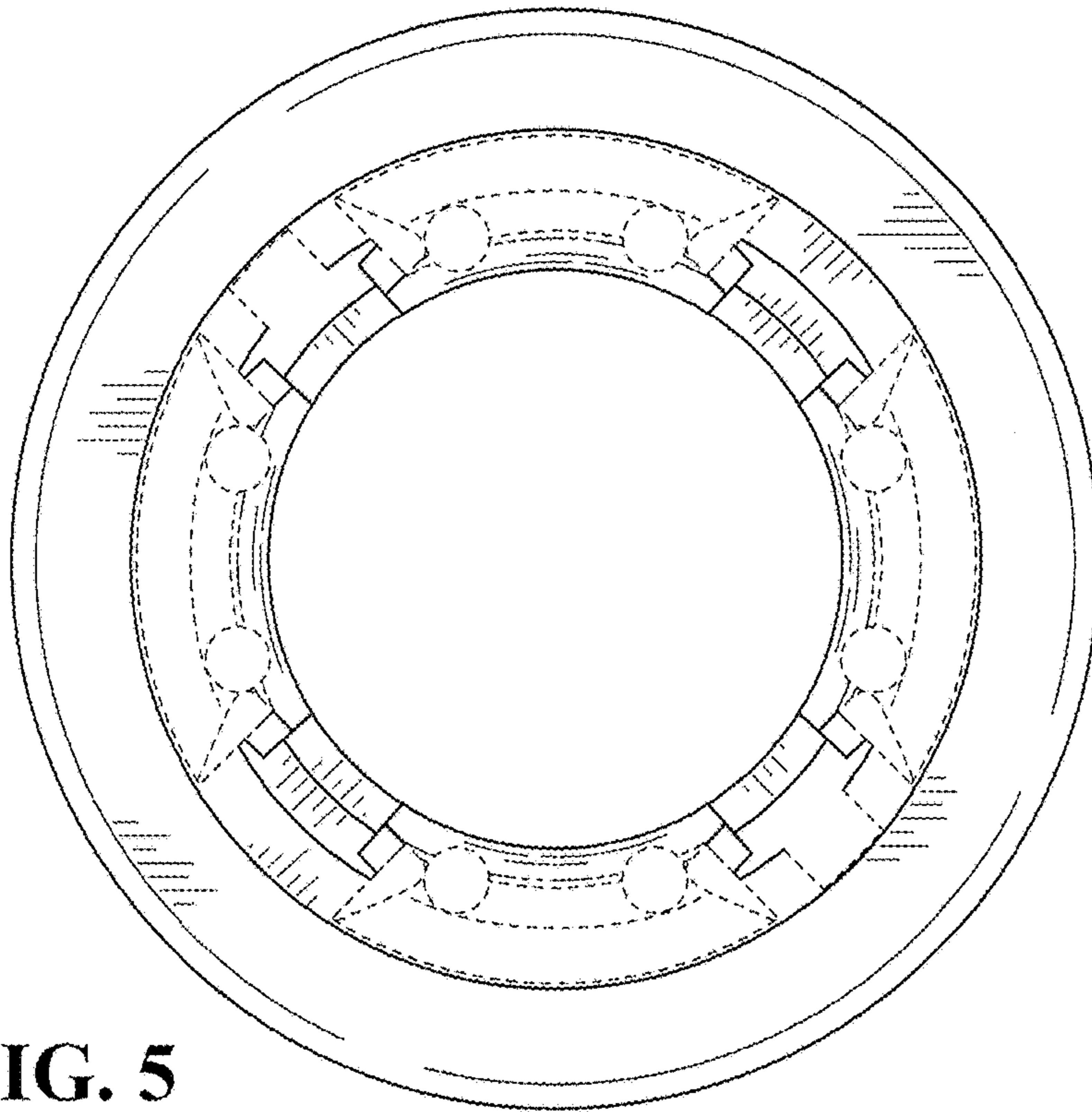
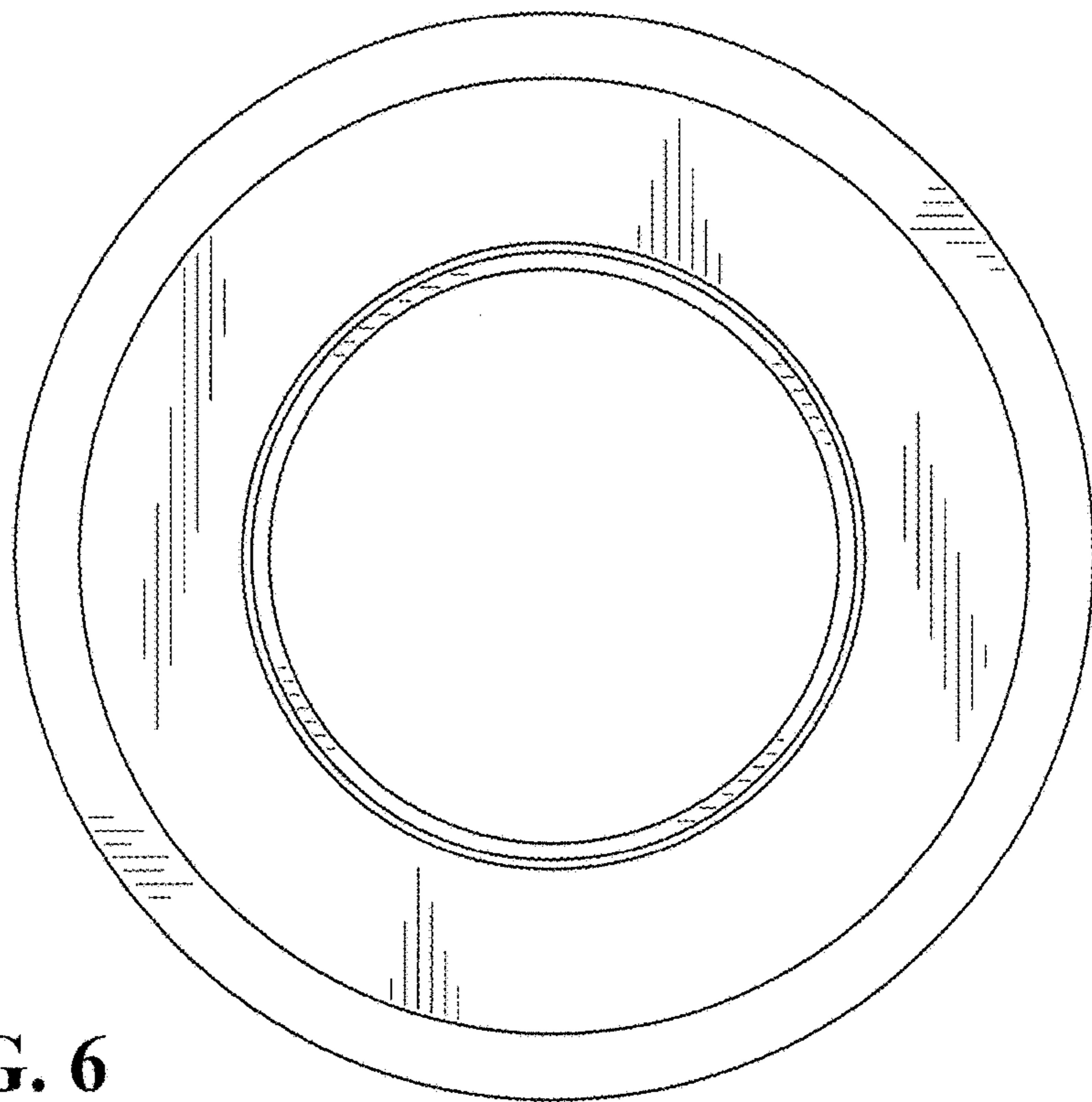


FIG. 4



**FIG. 5**



**FIG. 6**

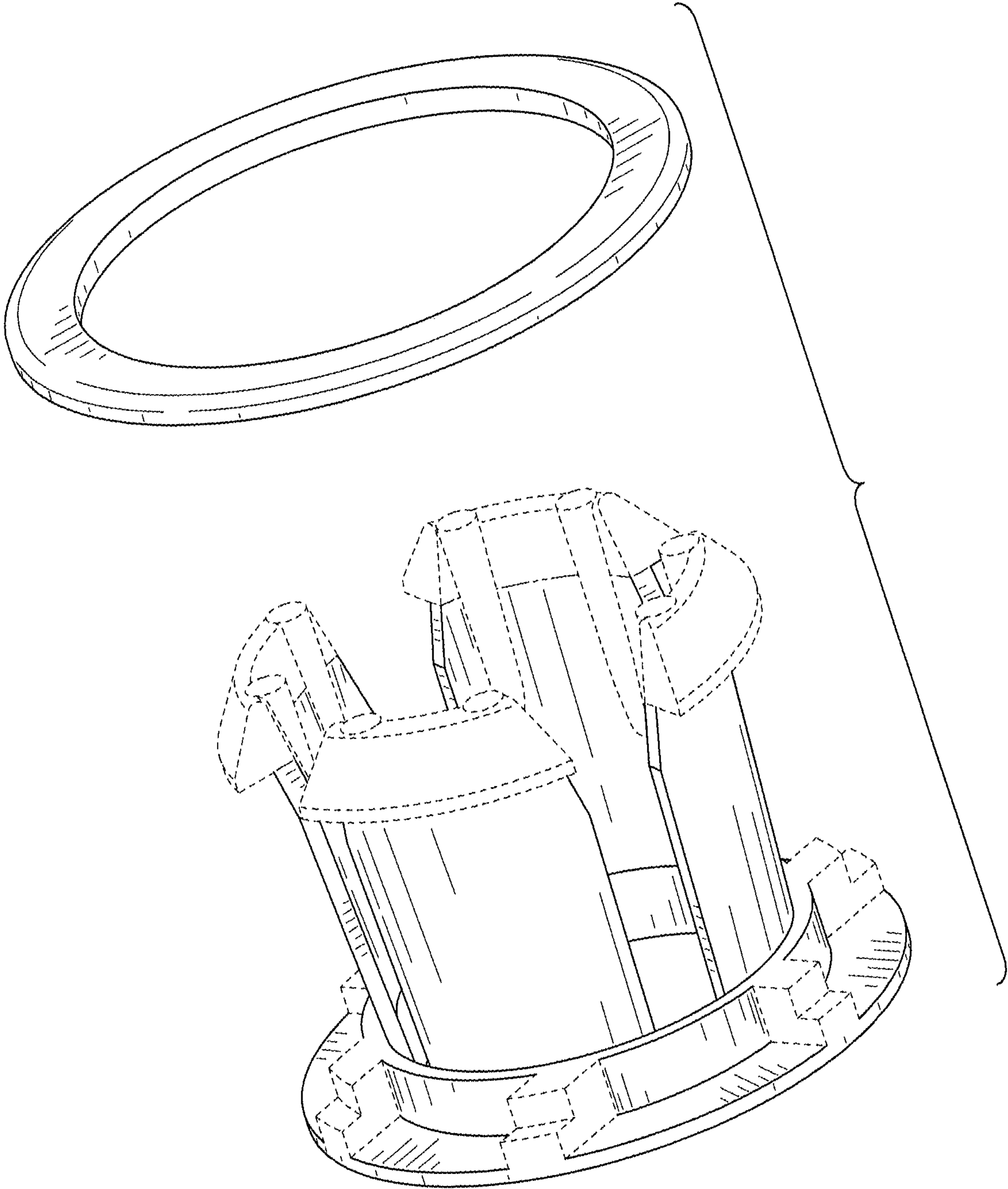


FIG. 7