



US00D889603S

(12) **United States Design Patent**  
**Wu**

(10) **Patent No.:** **US D889,603 S**  
(45) **Date of Patent:** **\*\* Jul. 7, 2020**

- (54) **HAND SHOWER**
- (71) Applicant: **Purity (Xiamen) Sanitary Ware Co., Ltd., Xiamen (CN)**
- (72) Inventor: **Chin-Lung Wu, Taichung (TW)**
- (73) Assignee: **PURITY (XIAMEN) SANITARY WARE CO., LTD., Xiamen (CN)**
- (\*\*) Term: **15 Years**
- (21) Appl. No.: **29/687,574**

D737,932 S *	9/2015	Nikles .....	D23/223
D743,507 S *	11/2015	Georgeson .....	D23/252
D746,955 S *	1/2016	Corder .....	D23/261
D752,711 S *	3/2016	Georgeson .....	D23/213
9,387,495 B2 *	7/2016	Schumacher .....	B05B 1/30
D778,404 S *	2/2017	Schoenherr .....	D23/223
D779,038 S *	2/2017	Hanna .....	D23/223
D779,039 S *	2/2017	Hanna .....	D23/223
D801,475 S *	10/2017	Naslund .....	D23/213
D803,350 S *	11/2017	Tian .....	D23/213
D808,499 S *	1/2018	Naslund .....	D23/213
D809,094 S *	1/2018	Naslund .....	D23/213
D810,233 S *	2/2018	Winter .....	D23/213
D810,861 S *	2/2018	Weaver .....	D23/213
D811,524 S *	2/2018	Bossini .....	D23/223

(Continued)

- (22) Filed: **Apr. 13, 2019**
- (51) **LOC (12) Cl.** ..... **23-01**
- (52) **U.S. Cl.**  
USPC ..... **D23/223; D23/213**
- (58) **Field of Classification Search**  
USPC ..... **D23/213, 214, 215, 223, 224, 226, 229, D23/230**  
CPC ..... **A61H 9/0021; A61H 33/00; B05B 1/00; B05B 1/14; B05B 1/185; B05B 1/08; B05B 1/02; B05B 1/26; B05B 12/002; B05B 1/18; B05B 9/01**  
See application file for complete search history.

(56) **References Cited**  
U.S. PATENT DOCUMENTS

D487,498 S *	3/2004	Blomstrom .....	D23/213
D508,730 S *	8/2005	Blomstrom .....	D23/229
D524,412 S *	7/2006	Blomstrom .....	D23/229
D680,619 S *	4/2013	Zhadanov .....	D23/223
D681,776 S *	5/2013	Cutler .....	D23/223
D694,357 S *	11/2013	Brodey .....	D23/213
D694,359 S *	11/2013	Schoenherr .....	D23/213
D707,330 S *	6/2014	Schoenherr .....	D23/223
D713,004 S *	9/2014	Schoenherr .....	D23/223
D713,496 S *	9/2014	Schoenherr .....	D23/213
D718,418 S *	11/2014	Georgeson .....	D23/213
D730,493 S *	5/2015	Sehl .....	D23/261
D733,258 S *	6/2015	Sandee .....	D23/223
D737,931 S *	9/2015	Schoenherr .....	D23/223

OTHER PUBLICATIONS

[https://www.amazon.com/Antimicrobial-High-Pressure-30-setting-Combination-AquaDance/dp/B06XHRHSGS/ref=sr\\_1\\_243?keywords=handheld+shower&qid=1584975209&sr=8-243&swrs=C1F84D4E100D735EB953A78B3F51F33E](https://www.amazon.com/Antimicrobial-High-Pressure-30-setting-Combination-AquaDance/dp/B06XHRHSGS/ref=sr_1_243?keywords=handheld+shower&qid=1584975209&sr=8-243&swrs=C1F84D4E100D735EB953A78B3F51F33E) (Year: 2017).\*

*Primary Examiner* — Manpreet S Matharu  
*Assistant Examiner* — Keith J Wilson  
(74) *Attorney, Agent, or Firm* — Pro-TECHTOR International Services; Ian Oglesby

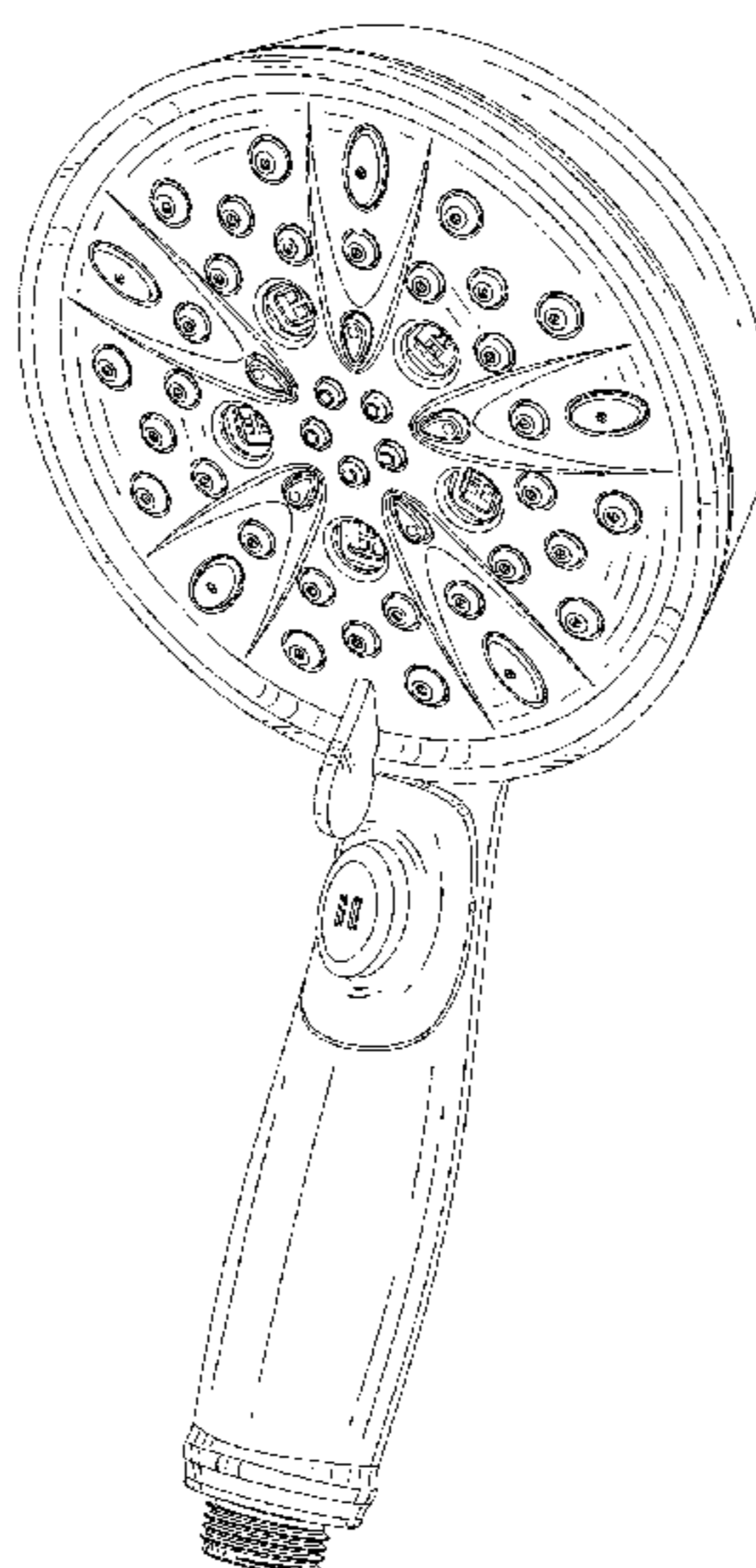
(57) **CLAIM**

The ornamental design for a hand shower, as shown and described.

**DESCRIPTION**

FIG. 1 is a front-right-top perspective view of a hand shower showing my new design;  
FIG. 2 is a front elevation view thereof;  
FIG. 3 is a rear elevation view thereof;  
FIG. 4 is a left side view thereof;  
FIG. 5 is a right side view thereof;  
FIG. 6 is a top plan view thereof; and,  
FIG. 7 is a bottom plan view thereof.

**1 Claim, 7 Drawing Sheets**



(56)

**References Cited**

U.S. PATENT DOCUMENTS

D820,388 S *	6/2018	Seum .....	D23/213
D820,949 S *	6/2018	Reinecker .....	D23/213
D821,542 S *	6/2018	Reinecker .....	D23/213
D824,485 S *	7/2018	Montoya .....	D23/213
D833,575 S *	11/2018	Soulier .....	D23/223
D839,384 S *	1/2019	Svendsen .....	D23/213
D840,503 S *	2/2019	Stein .....	D23/213
D841,121 S *	2/2019	Kiefer .....	D23/213
D841,125 S *	2/2019	Lai .....	D23/223
D842,429 S *	3/2019	Huang .....	D23/213
D842,430 S *	3/2019	Huang .....	D23/213
D842,431 S *	3/2019	Cacka .....	D23/213
D842,967 S *	3/2019	Farley .....	D23/213

\* cited by examiner

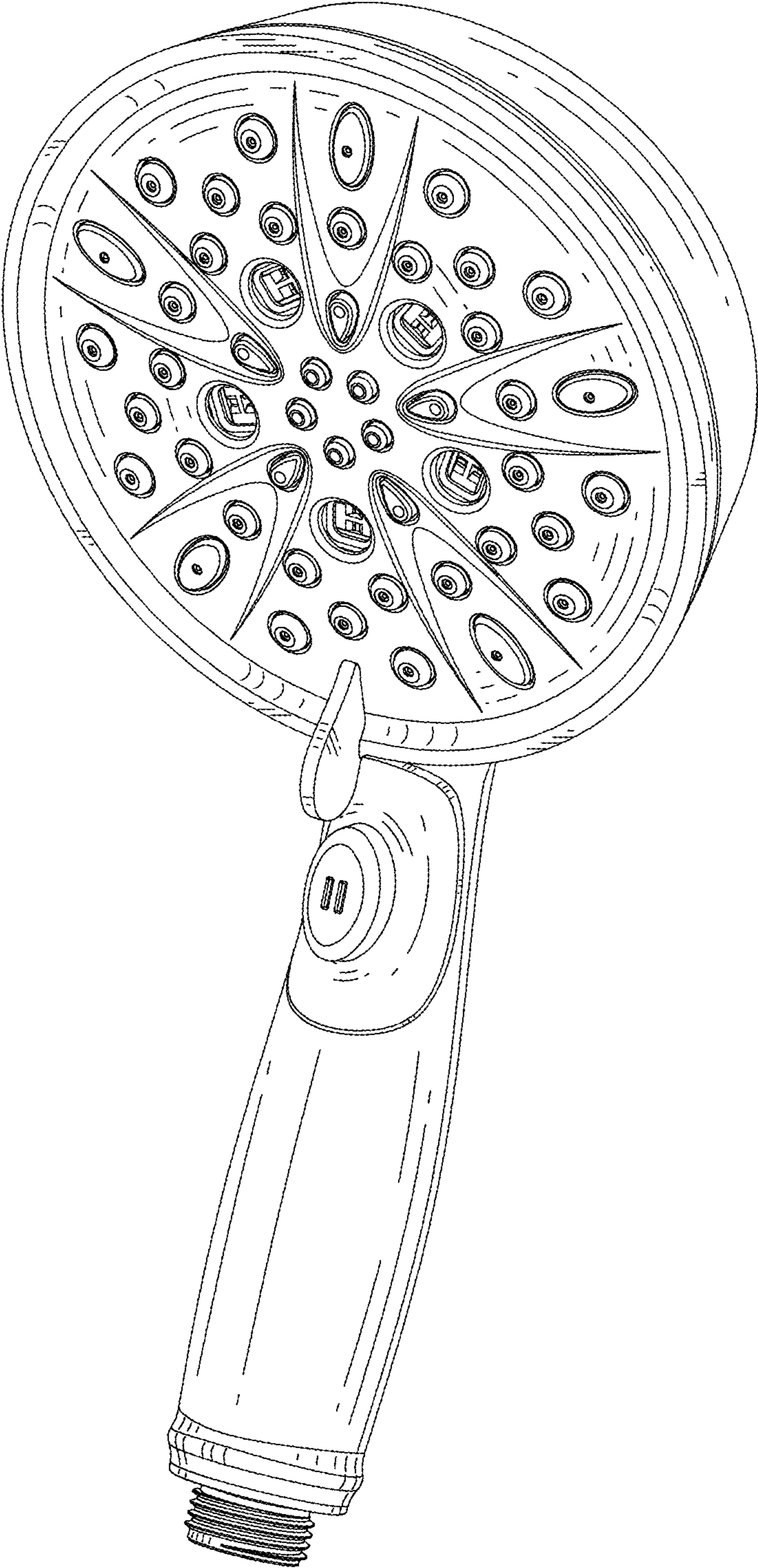


FIG. 1

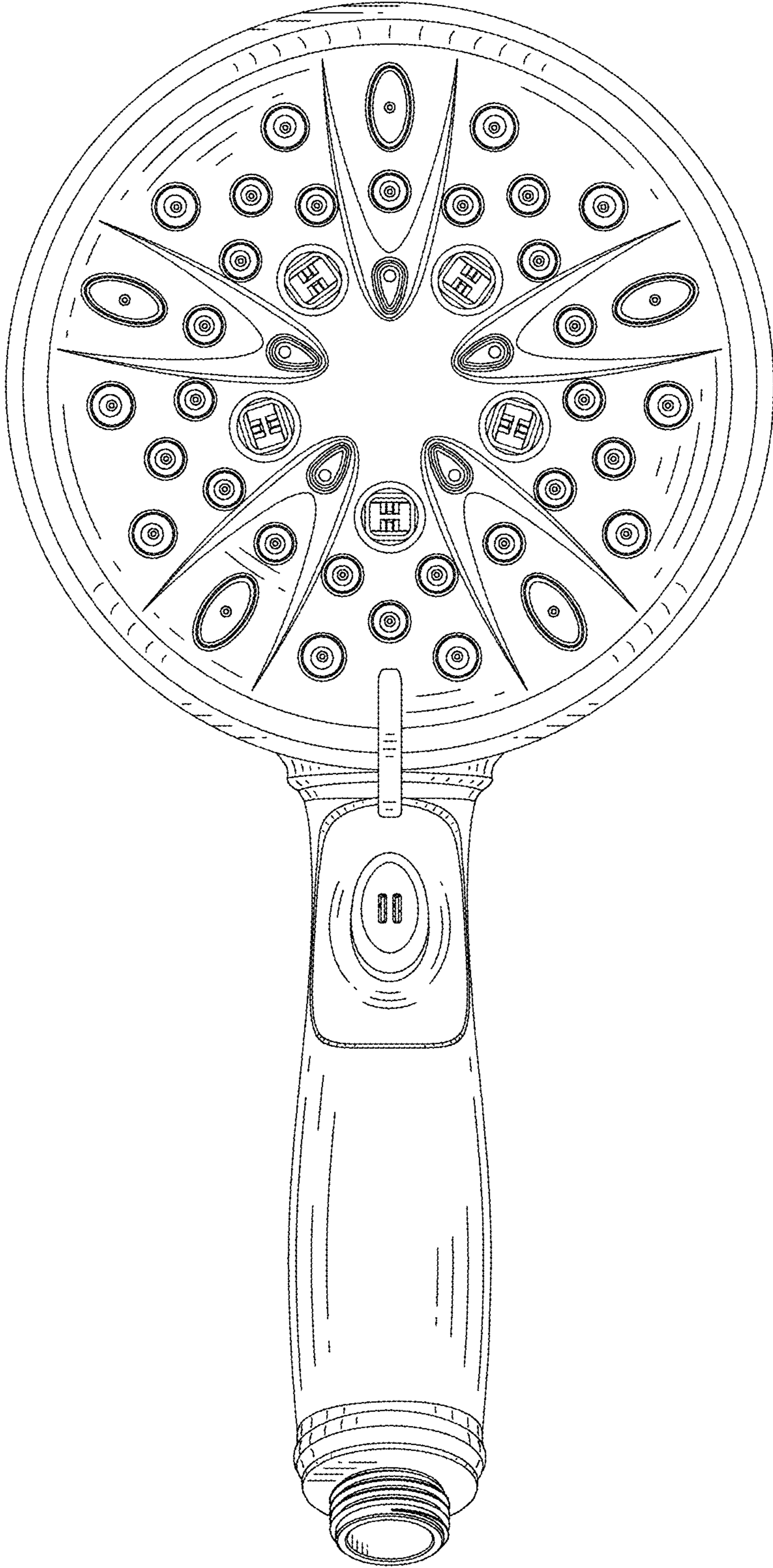


FIG. 2

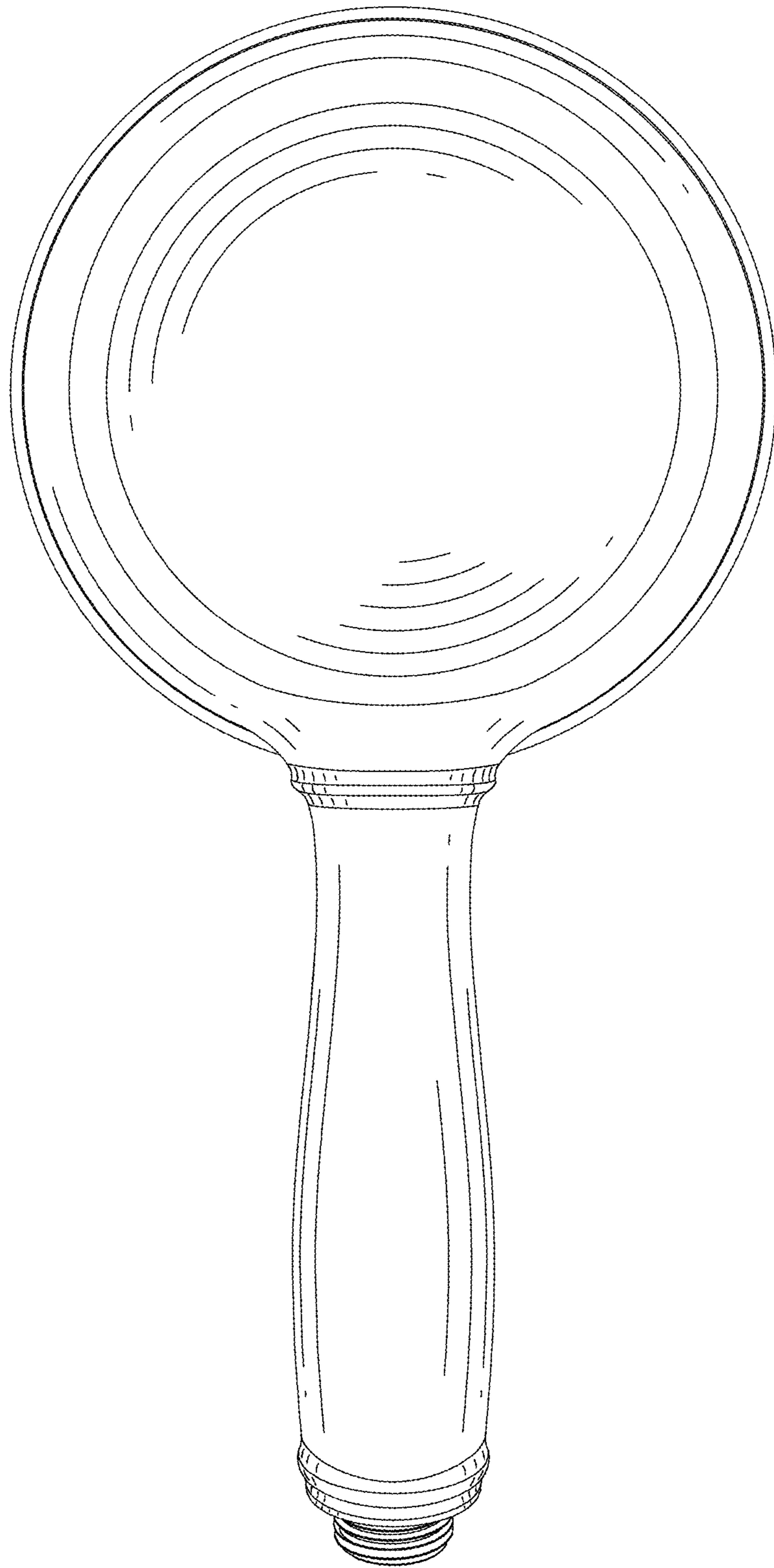


FIG. 3

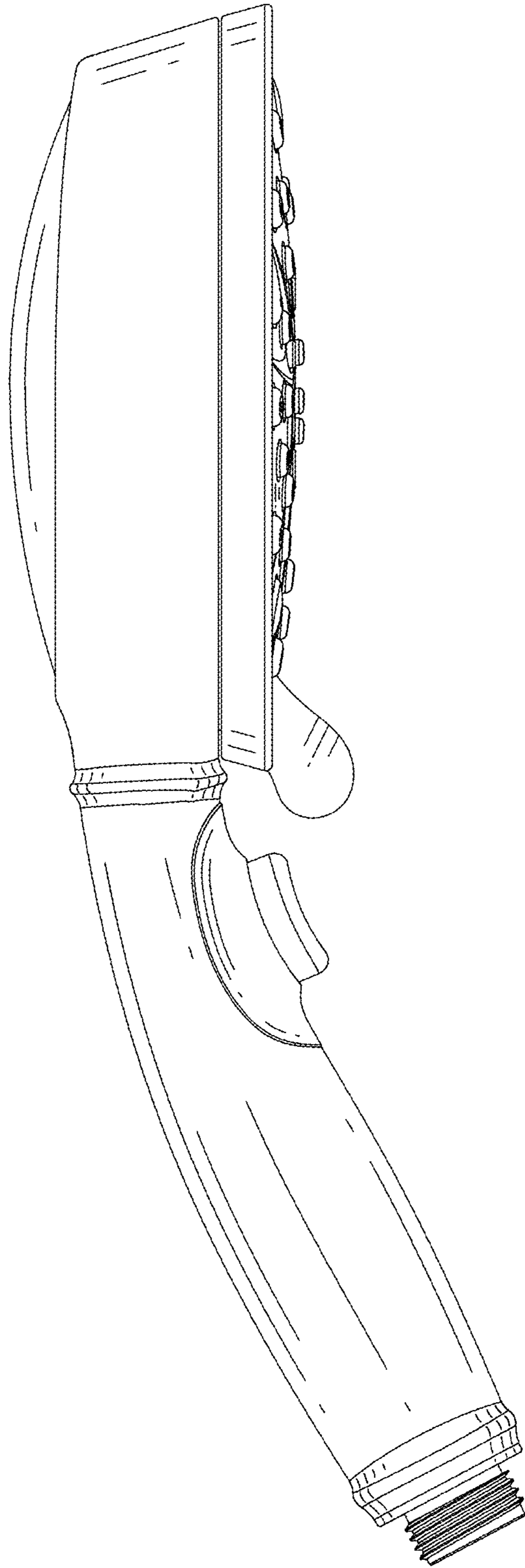


FIG. 4

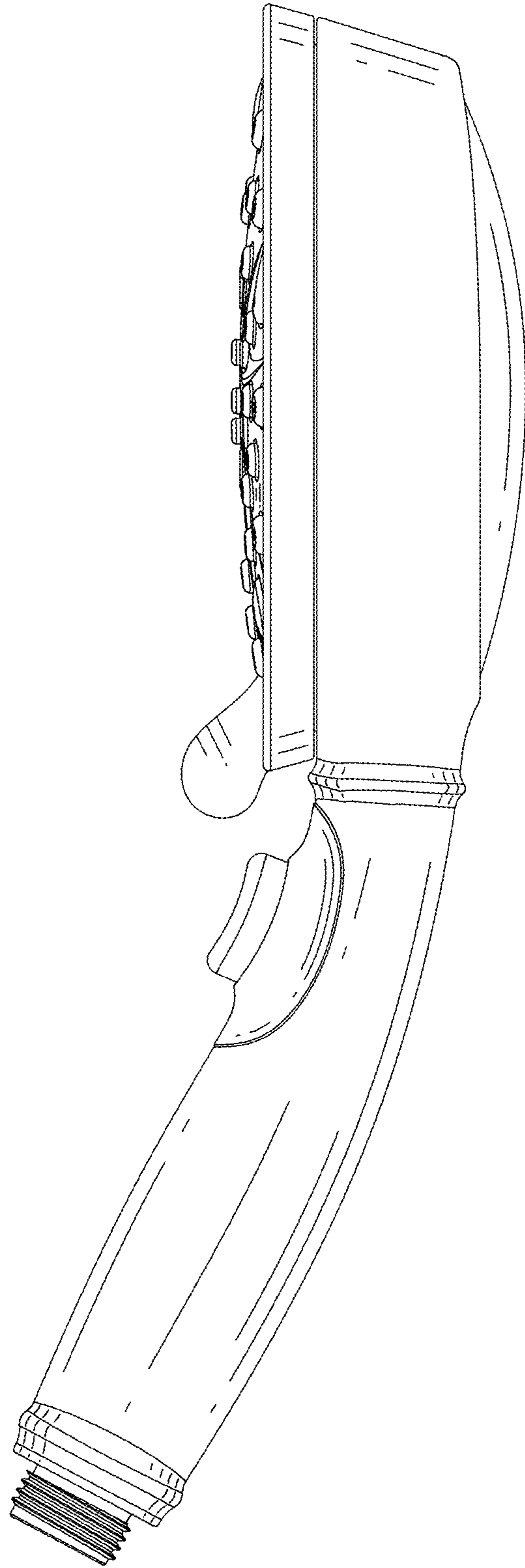


FIG. 5

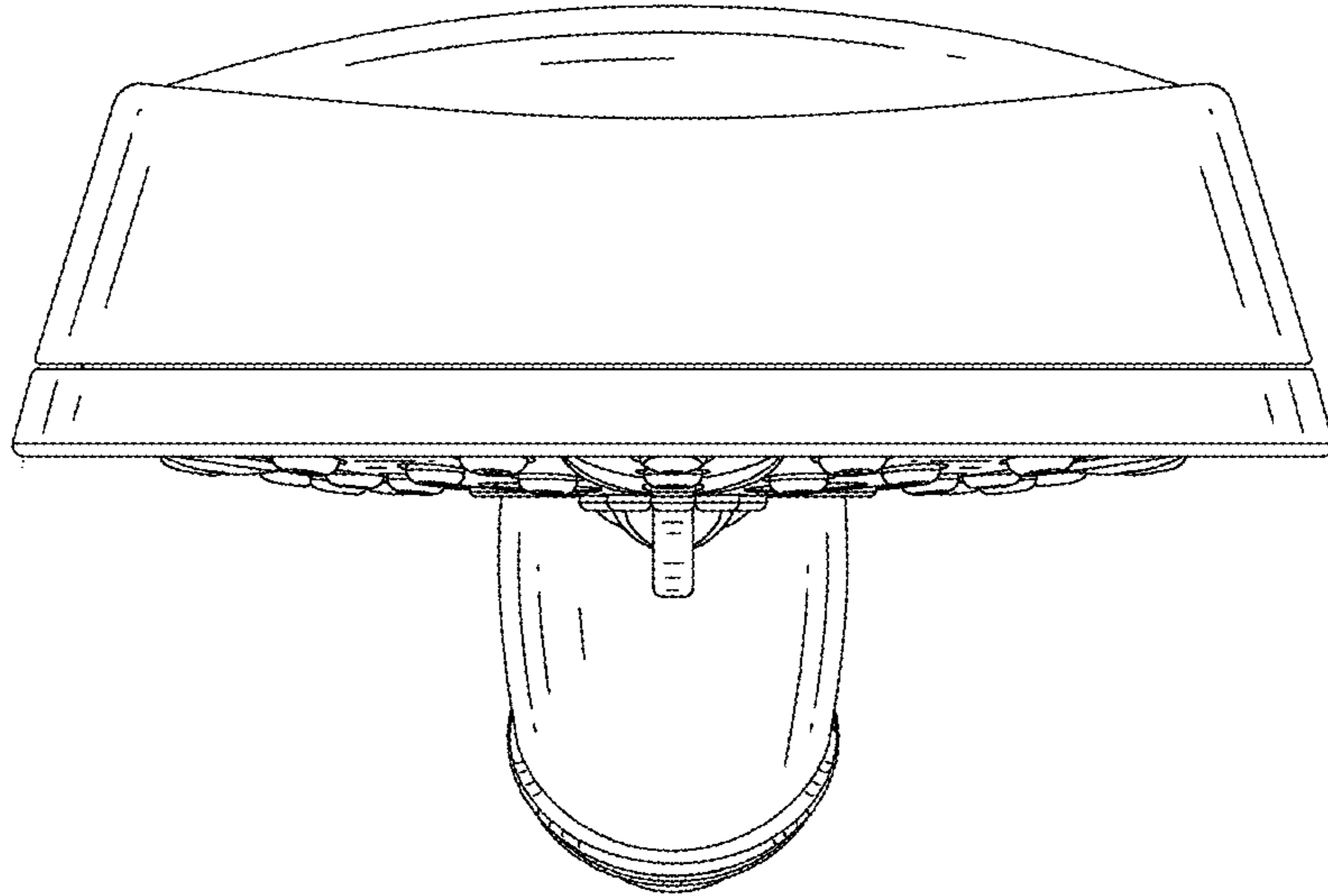


FIG. 6



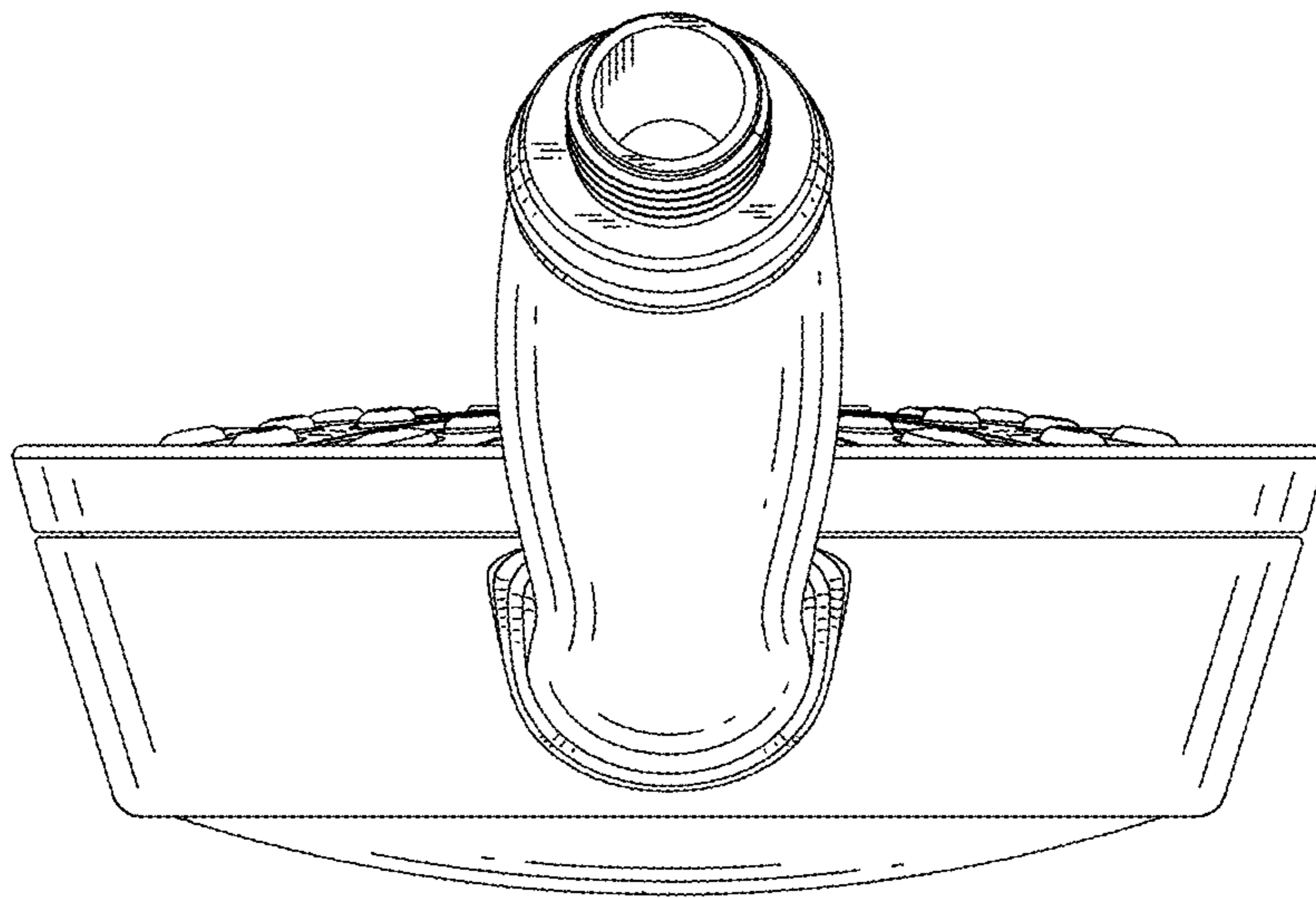


FIG. 7