



US00D889601S

(12) **United States Design Patent**  
**Sesser et al.**

(10) **Patent No.:** **US D889,601 S**  
(45) **Date of Patent:** **\*\* Jul. 7, 2020**

- (54) **RIGID MOUNT ORBITOR**
- (71) Applicant: **Nelson Irrigation Corporation**, Walla Walla, WA (US)
- (72) Inventors: **George L. Sesser**, Walla Walla, WA (US); **Craig B. Nelson**, Walla Walla, WA (US)
- (73) Assignee: **NELSON IRRIGATION CORPORATON**, Walla Walla, WA (US)
- (\*\*) Term: **15 Years**
- (21) Appl. No.: **29/637,701**
- (22) Filed: **Feb. 21, 2018**
- (51) **LOC (12) Cl.** ..... **23-01**
- (52) **U.S. Cl.**  
USPC ..... **D23/214**
- (58) **Field of Classification Search**  
USPC ..... D23/213, 214, 221, 222, 223, 226, 227, D23/229, 230, 364, 366; D8/8; D9/521, D9/529, 687; D12/400; D15/139; D32/41, 42, 49; D4/118  
CPC ..... A62C 31/02; A62C 31/03; B05B 1/304; B05B 1/308; B65D 47/247; B65D 47/24; B65D 47/32; B65D 47/06  
See application file for complete search history.

2006/0108445	A1*	5/2006	Pinch	.....	B05B 3/005 239/222.21
2009/0224070	A1*	9/2009	Clark	.....	B05B 15/70 239/222.17
2010/0038450	A1*	2/2010	Sesser	.....	B05B 3/008 239/222.17
2017/0333924	A1*	11/2017	Sesser	.....	B05B 3/005
2018/0311684	A1*	11/2018	Lawyer	.....	B05B 1/265
2019/0054480	A1*	2/2019	Sesser	.....	B05B 3/0486

**OTHER PUBLICATIONS**

Nelson Orbitor reference [Jul. 10, 2019] found online [Jul. 10, 2019]—<https://www.nelsonirrigation.com/products/family/pivot-sprinklers/o3030-orbitor>.\*

\* cited by examiner

*Primary Examiner* — Brandon M Rosati  
*Assistant Examiner* — John A Voytek

(74) *Attorney, Agent, or Firm* — Nixon & Vanderhye P.C.

(57) **CLAIM**

The ornamental design for a rigid mount orbitor, as shown and described.

**DESCRIPTION**

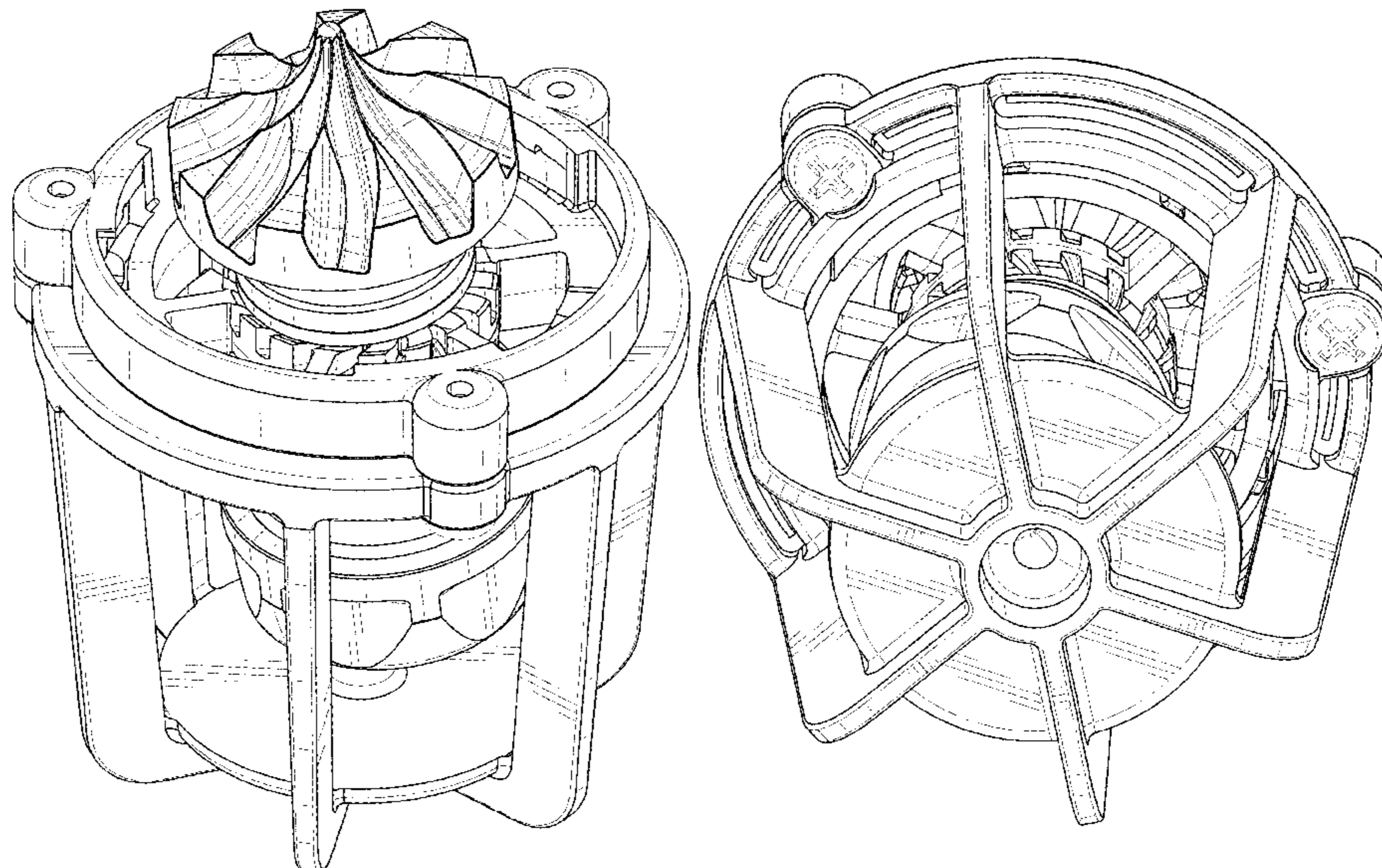
FIG. 1 is a perspective view of a rigid mount orbitor sprinkler according to the invention; FIG. 2 is a left side view thereof; FIG. 3 is a right side view thereof; FIG. 4 is a top plan view thereof; FIG. 5 is a bottom view thereof; FIG. 6 is a front view thereof; FIG. 7 is a rear view thereof; and, FIG. 8 is a bottom perspective view thereof. The broken lines in the drawings show portions of the rigid mount orbitor that form no part of the claimed design.

**1 Claim, 8 Drawing Sheets**

(56) **References Cited**

**U.S. PATENT DOCUMENTS**

D253,364	S	*	11/1979	McFadden	.....	239/222.21
D260,169	S	*	8/1981	Vikre	.....	D23/214
D312,865	S	*	12/1990	Davisson	.....	D23/214
5,620,141	A	*	4/1997	Chiang	.....	B05B 3/0422 239/206
D567,329	S	*	4/2008	Holmes	.....	D23/214
2006/0006254	A1*	*	1/2006	Meyer	.....	B05B 3/005 239/214



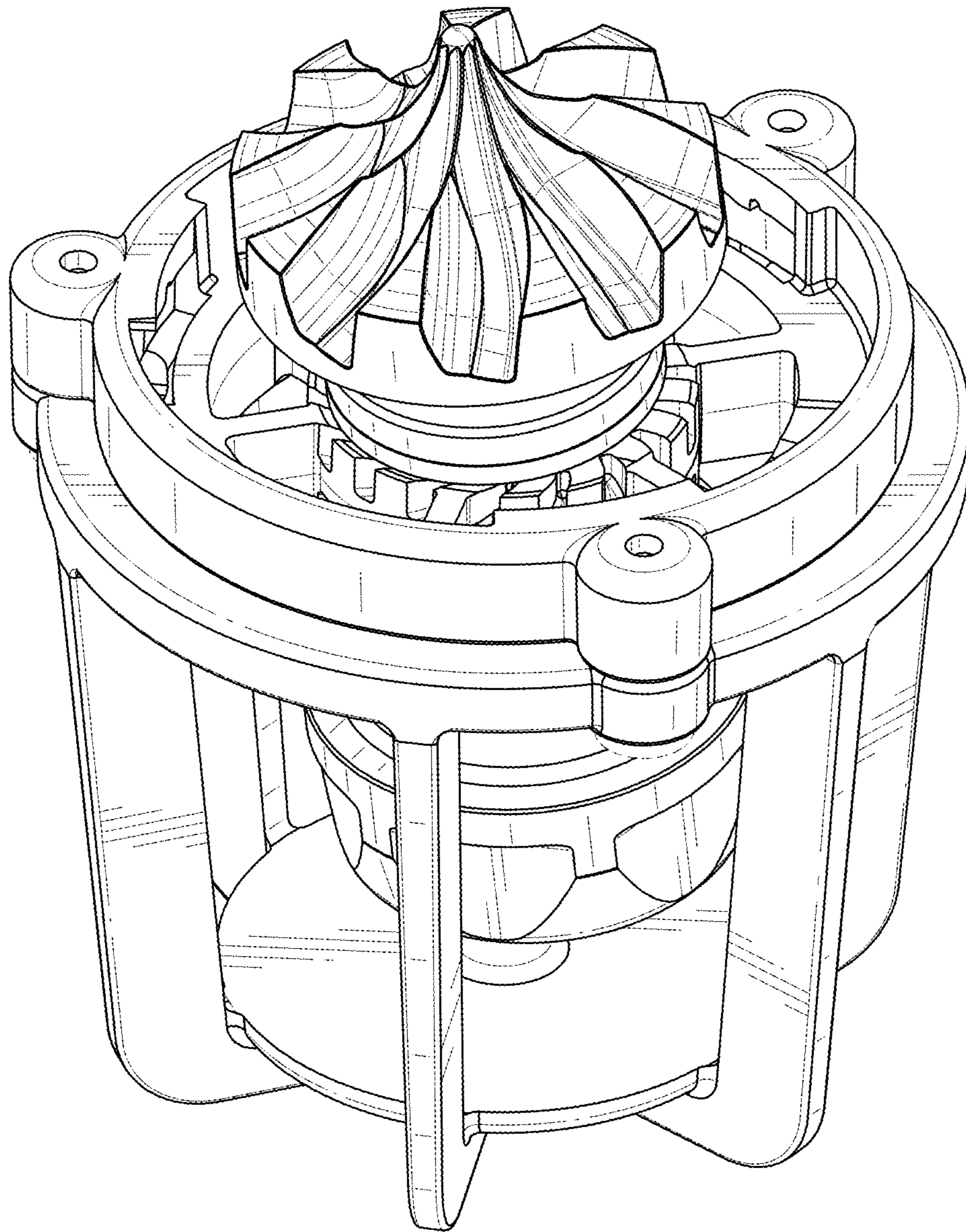


Fig. 1



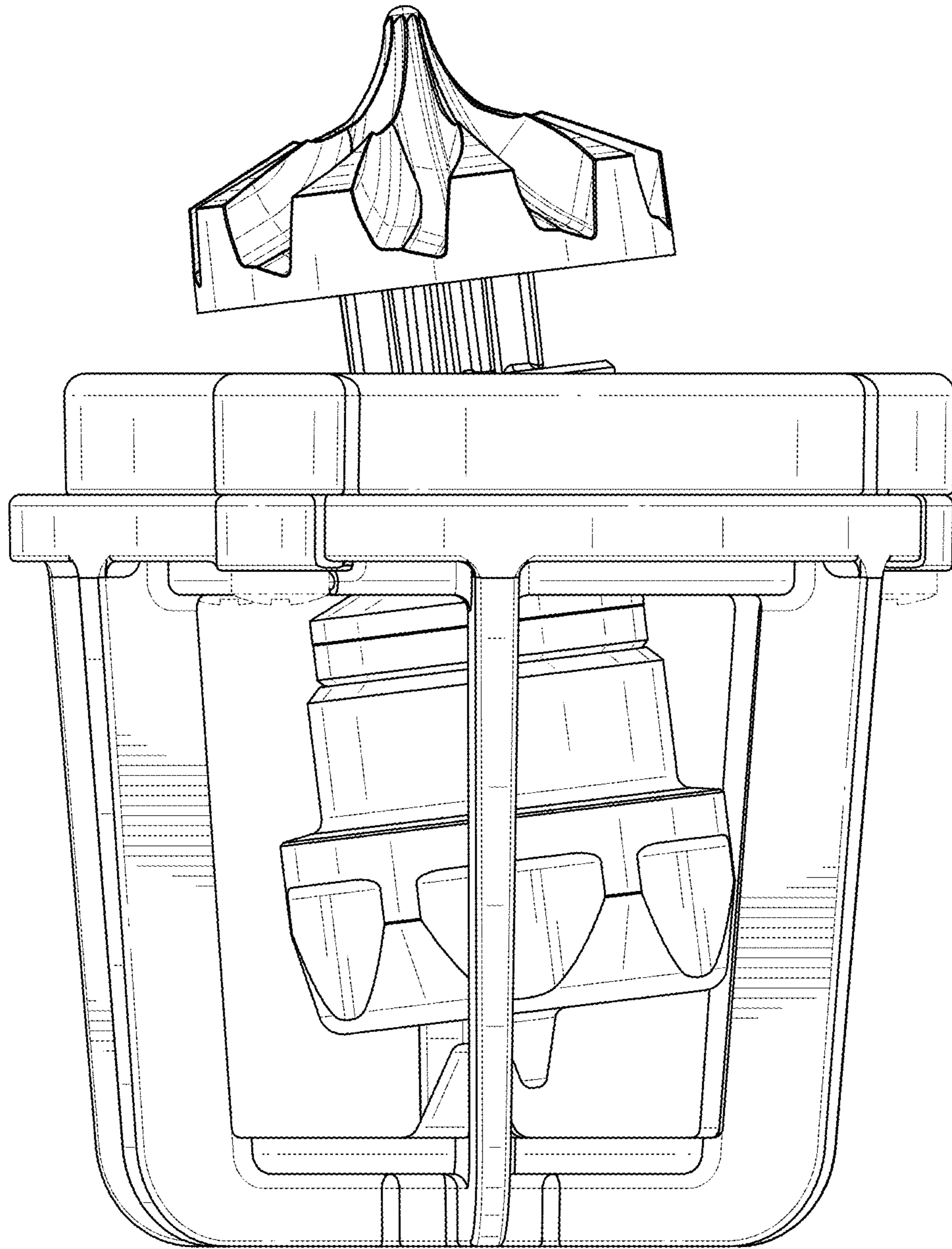


Fig. 2

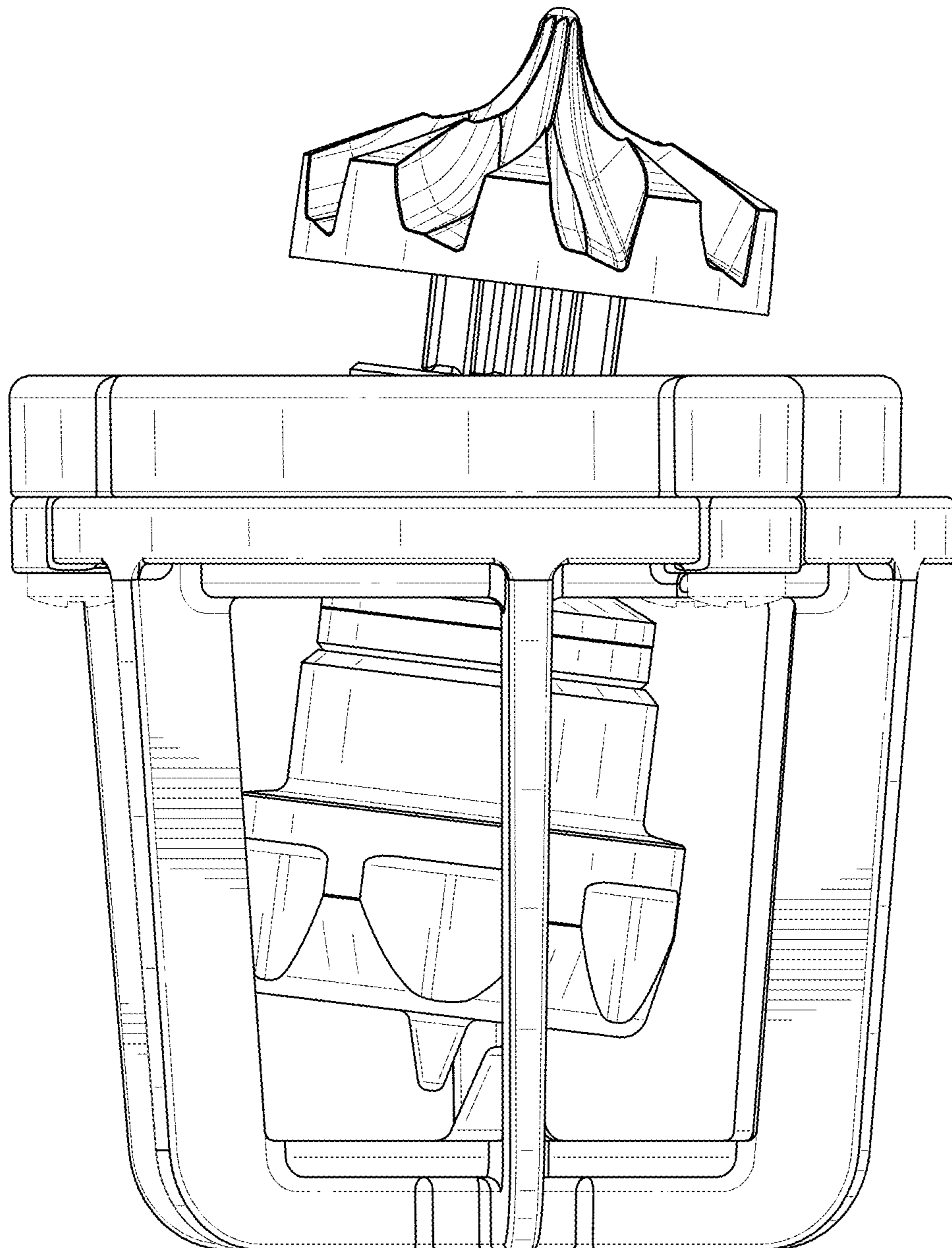


Fig. 3

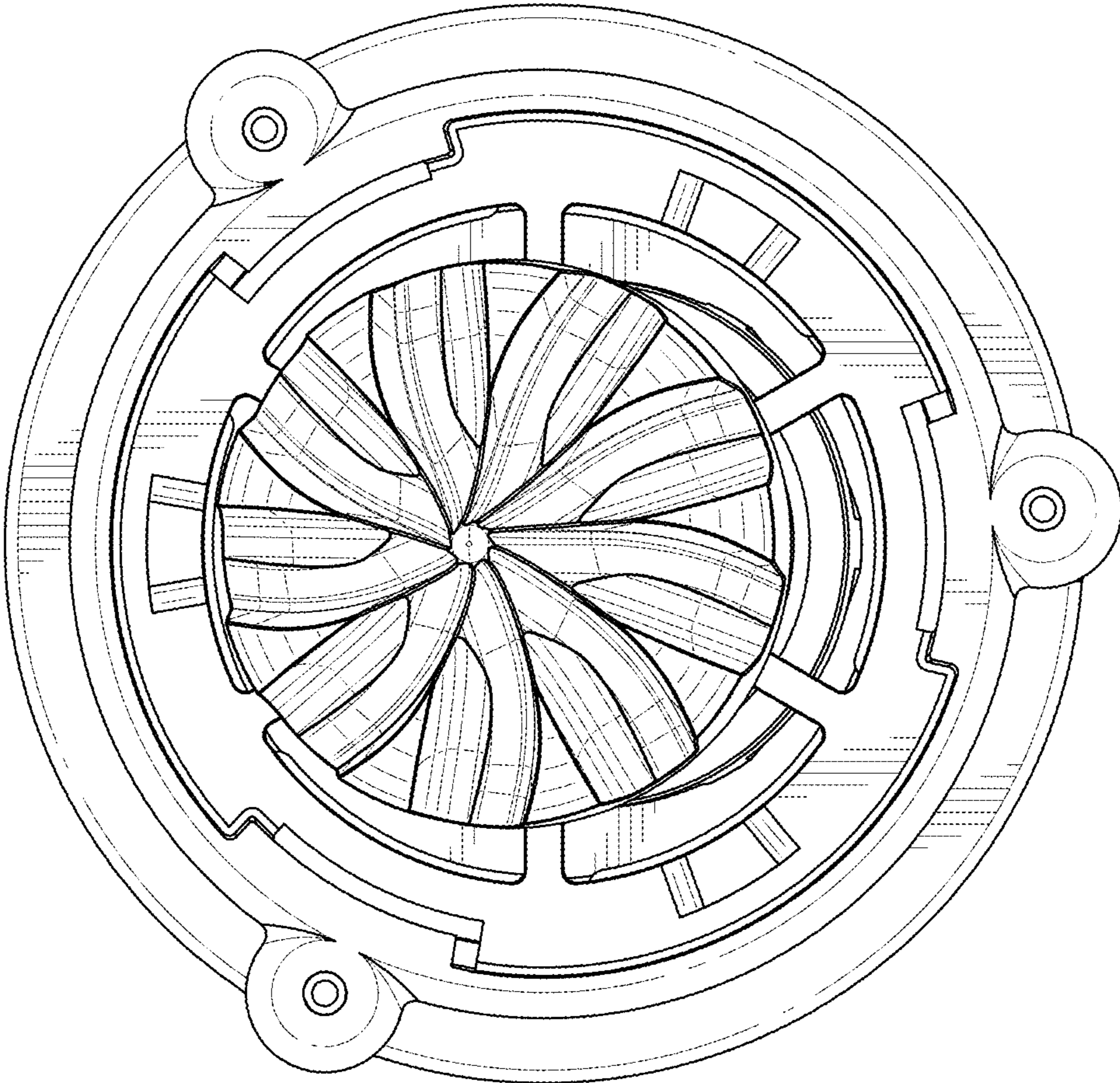


Fig. 4



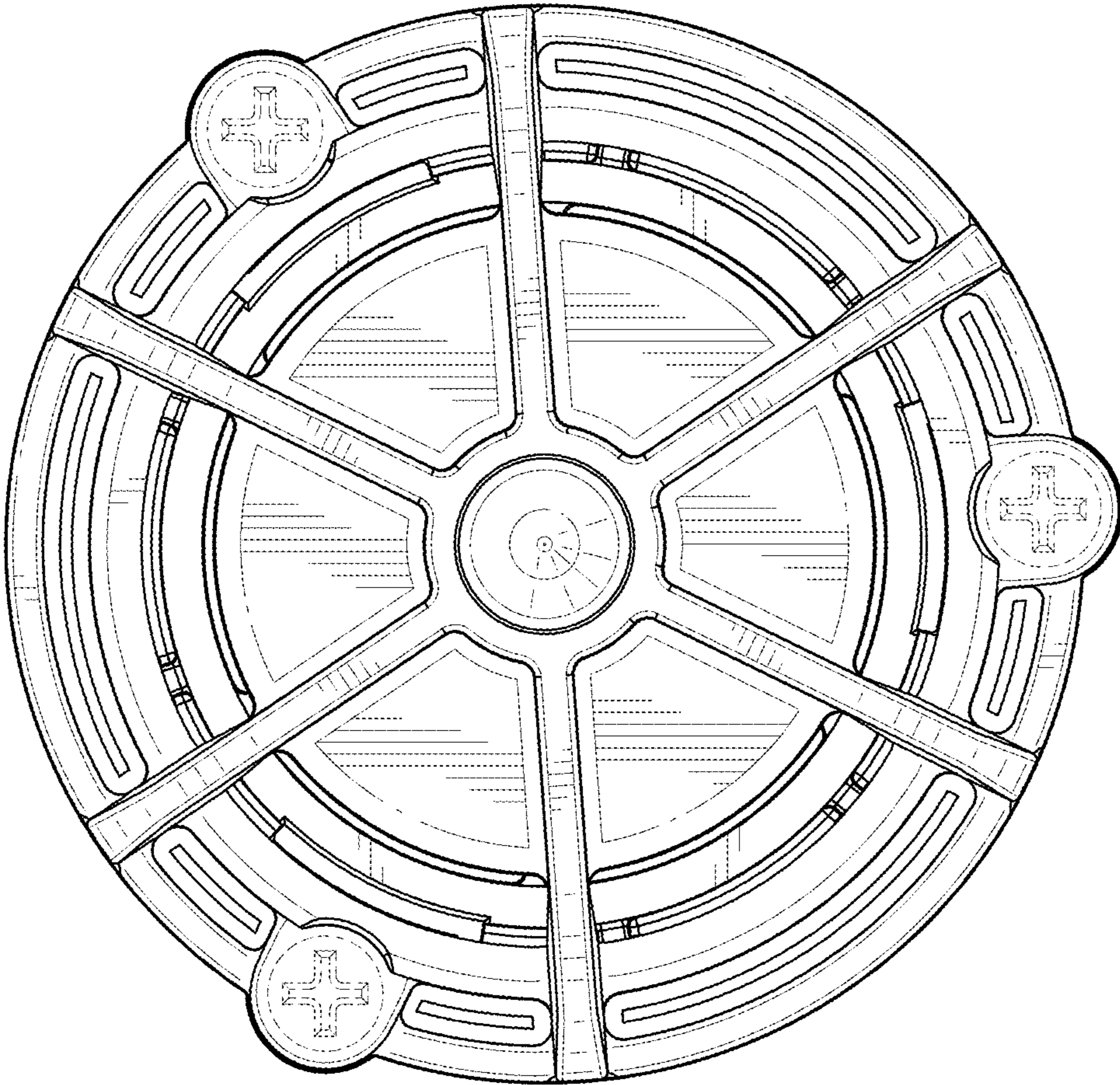


Fig. 5

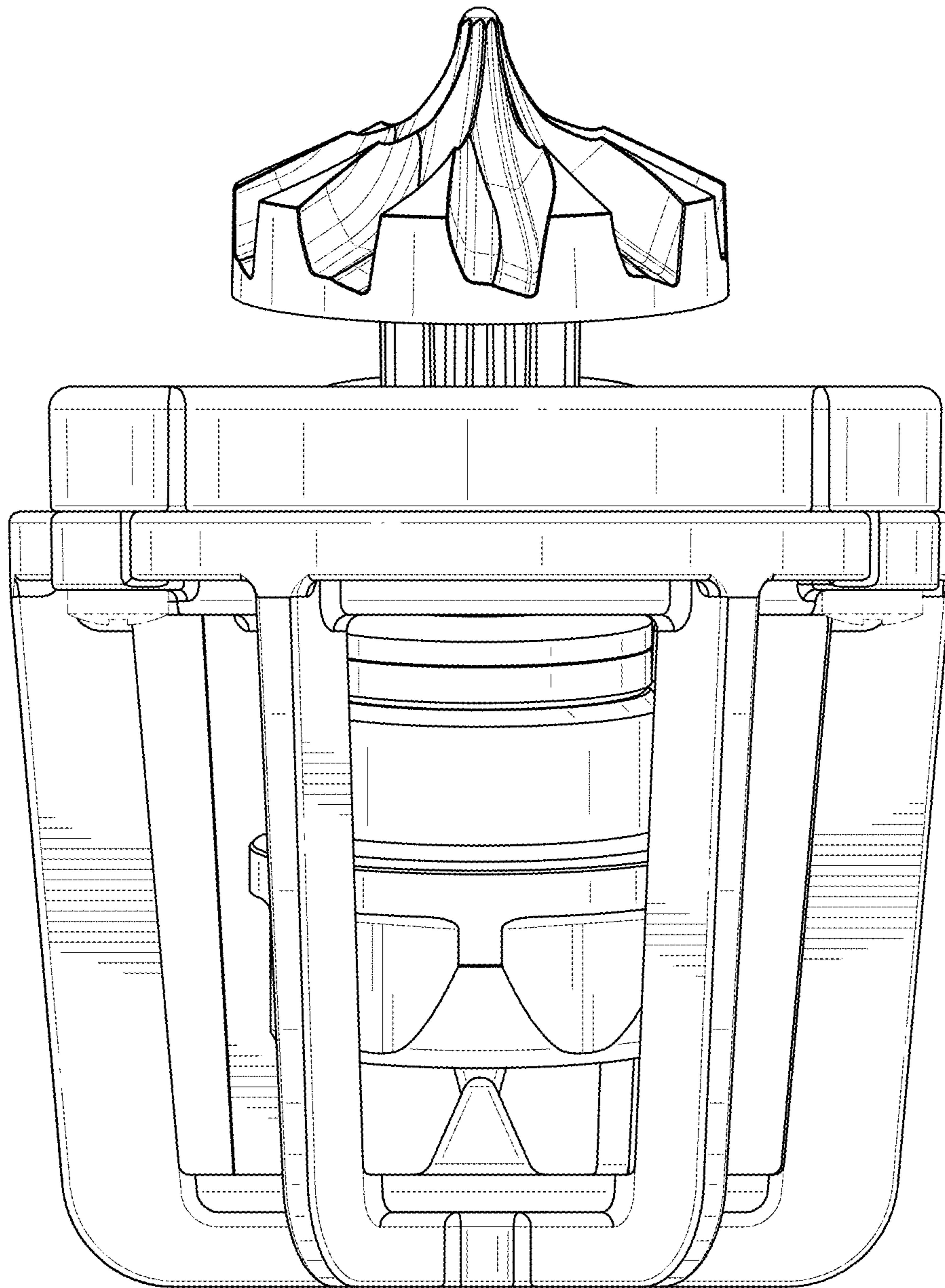


Fig. 6

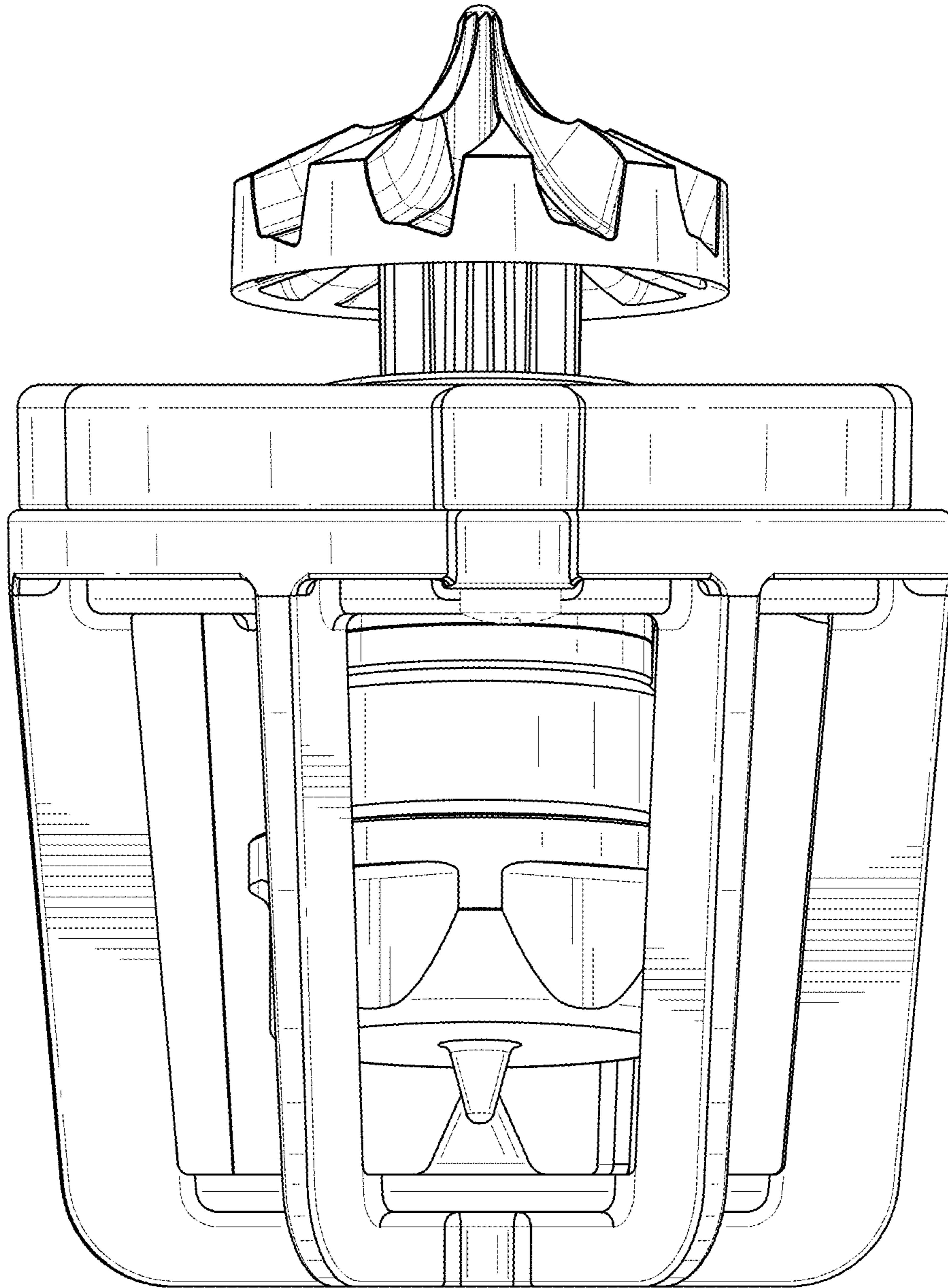


Fig. 7



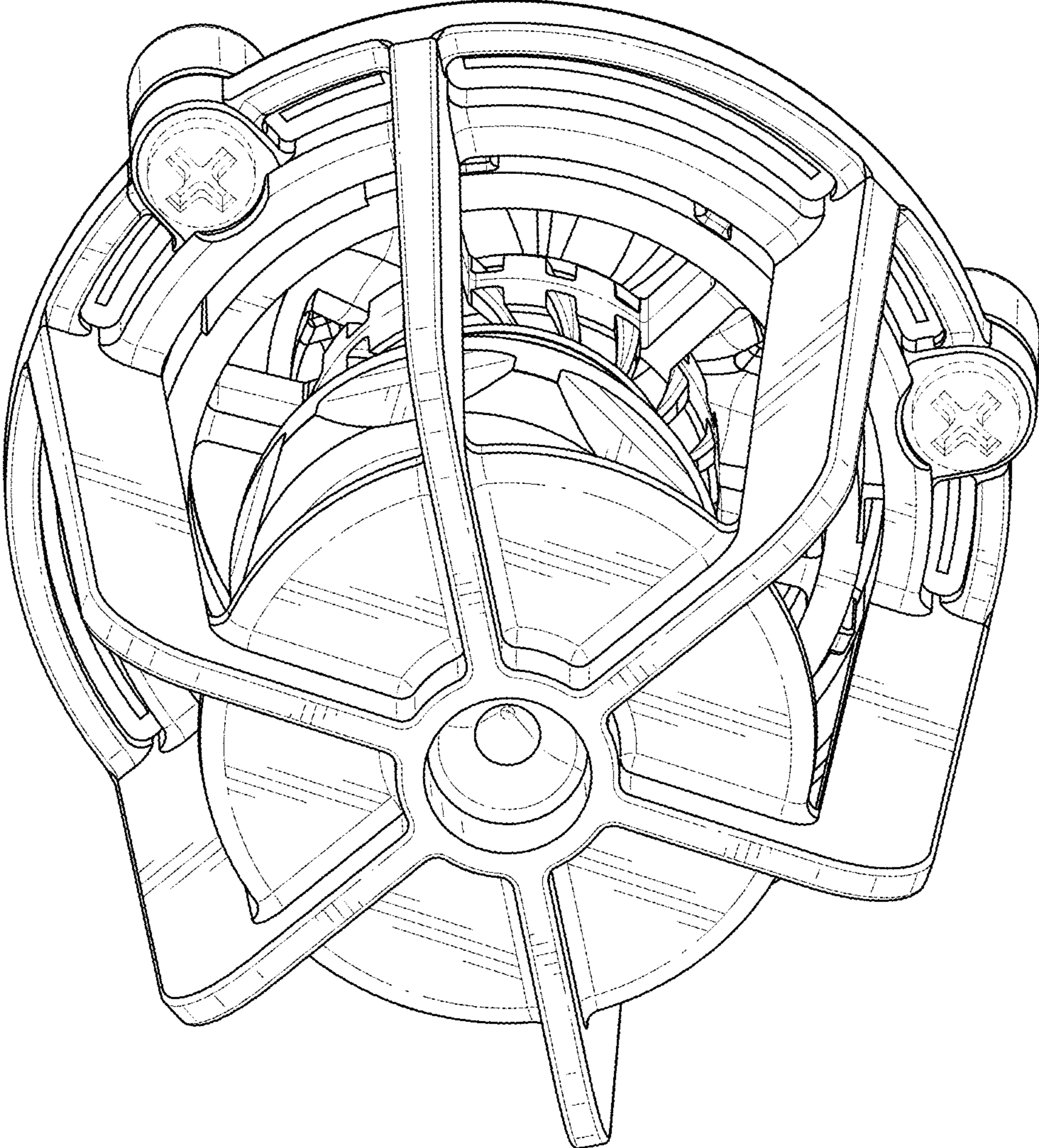


Fig. 8