



US00D889599S

(12) **United States Design Patent** (10) **Patent No.:** **US D889,599 S**  
**Moldthan** (45) **Date of Patent:** **\*\* Jul. 7, 2020**

(54) **SPRAY VALVE FACE PLATE**  
(71) Applicant: **T & S BRASS AND BRONZE WORKS, INC.**, Travelers Rest, SC (US)  
(72) Inventor: **Jason Moldthan**, Greer, SC (US)  
(73) Assignee: **T & S Brass and Bronze Works, Inc.**, Travelers Rest, SC (US)

D762,816 S \* 8/2016 Hanna ..... D23/213  
D785,131 S \* 4/2017 Cimino ..... D23/200  
D829,860 S \* 10/2018 Seum ..... D23/213

(\*\*) Term: **15 Years**  
(21) Appl. No.: **29/696,630**  
(22) Filed: **Jun. 28, 2019**  
(51) **LOC (12) Cl.** ..... **23-01**  
(52) **U.S. Cl.**  
USPC ..... **D23/213**  
(58) **Field of Classification Search**  
USPC ..... D23/233-237, 241-250, 260, 269, 213, D23/223, 200; 222/211  
CPC ..... B05B 12/04; B05B 9/01; B05B 1/3006; B05B 13/05627; B05B 13/0636; B05B 11/0005; B05B 11/0008; B05B 1/00; B05B 1/02; B05B 1/044; B05B 1/005; B05B 7/02; B05B 7/025  
See application file for complete search history.

**OTHER PUBLICATIONS**

Engineers Rendering of Spray Valve Face, revised Sep. 2, 2010, drawn Mar. 14, 1995, 1 page.  
Photo Example of Various Spray Valve Faces, 2016, 1 page.

\* cited by examiner

*Primary Examiner* — Gino Colan  
(74) *Attorney, Agent, or Firm* — Dority & Manning, P.A.

(57) **CLAIM**

The ornamental design for a spray valve face plate, as shown and described.

**DESCRIPTION**

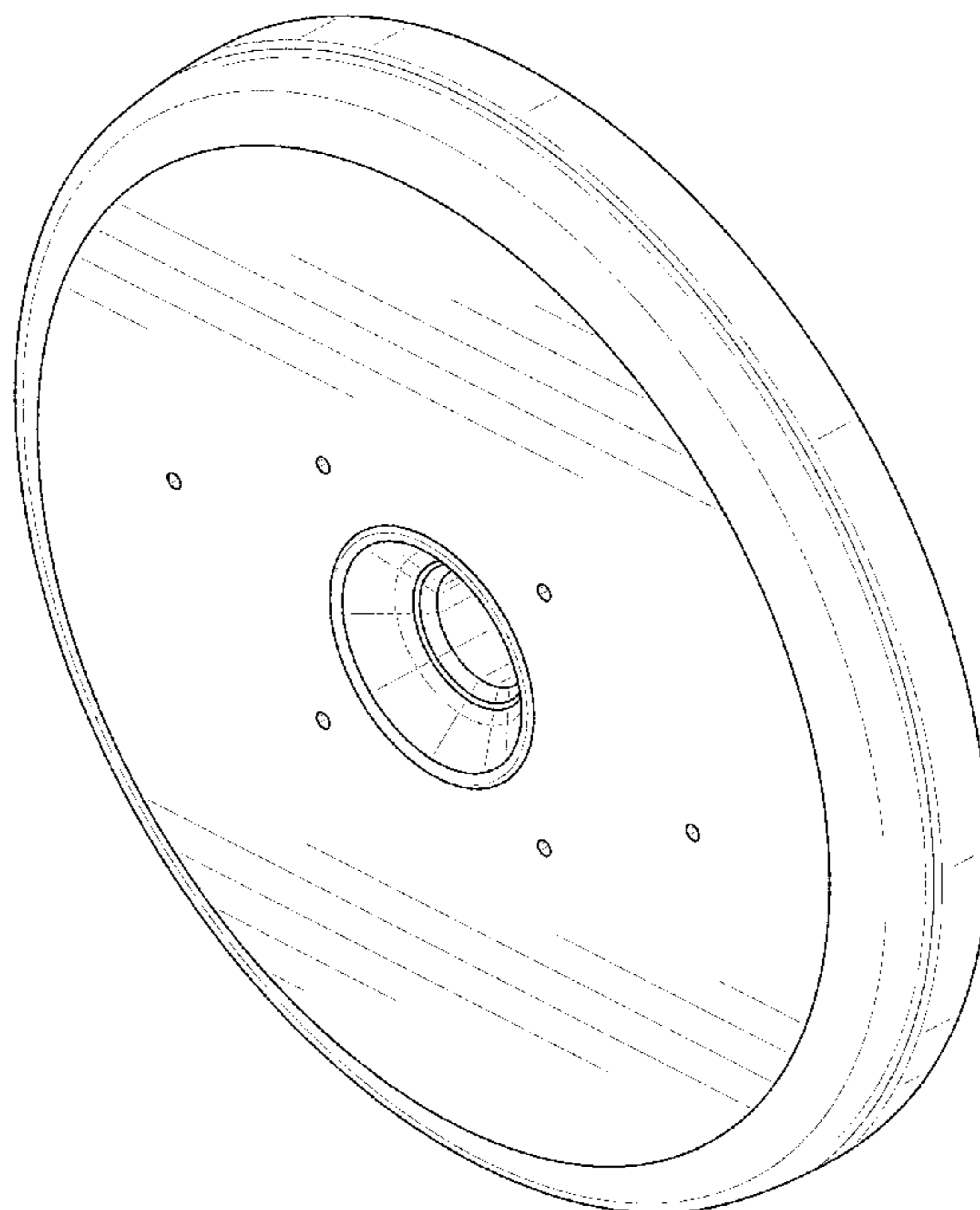
FIG. 1 illustrates the front of the spray valve face plate from an elevated perspective view.  
FIG. 2 illustrates the back of the spray valve face plate from an elevated perspective view.  
FIG. 3 illustrates the front of the spray valve face plate from an elevation view.  
FIG. 4 illustrates the back of the spray valve face plate from an elevation view.  
FIG. 5 illustrates the left side of the spray valve face plate from an elevation view.  
FIG. 6 illustrates the right side of the spray valve face plate from an elevation view.  
FIG. 7 illustrates the top of the spray valve face plate from a plan view; and,  
FIG. 8 illustrates the bottom of the spray valve face plate from a plan view.

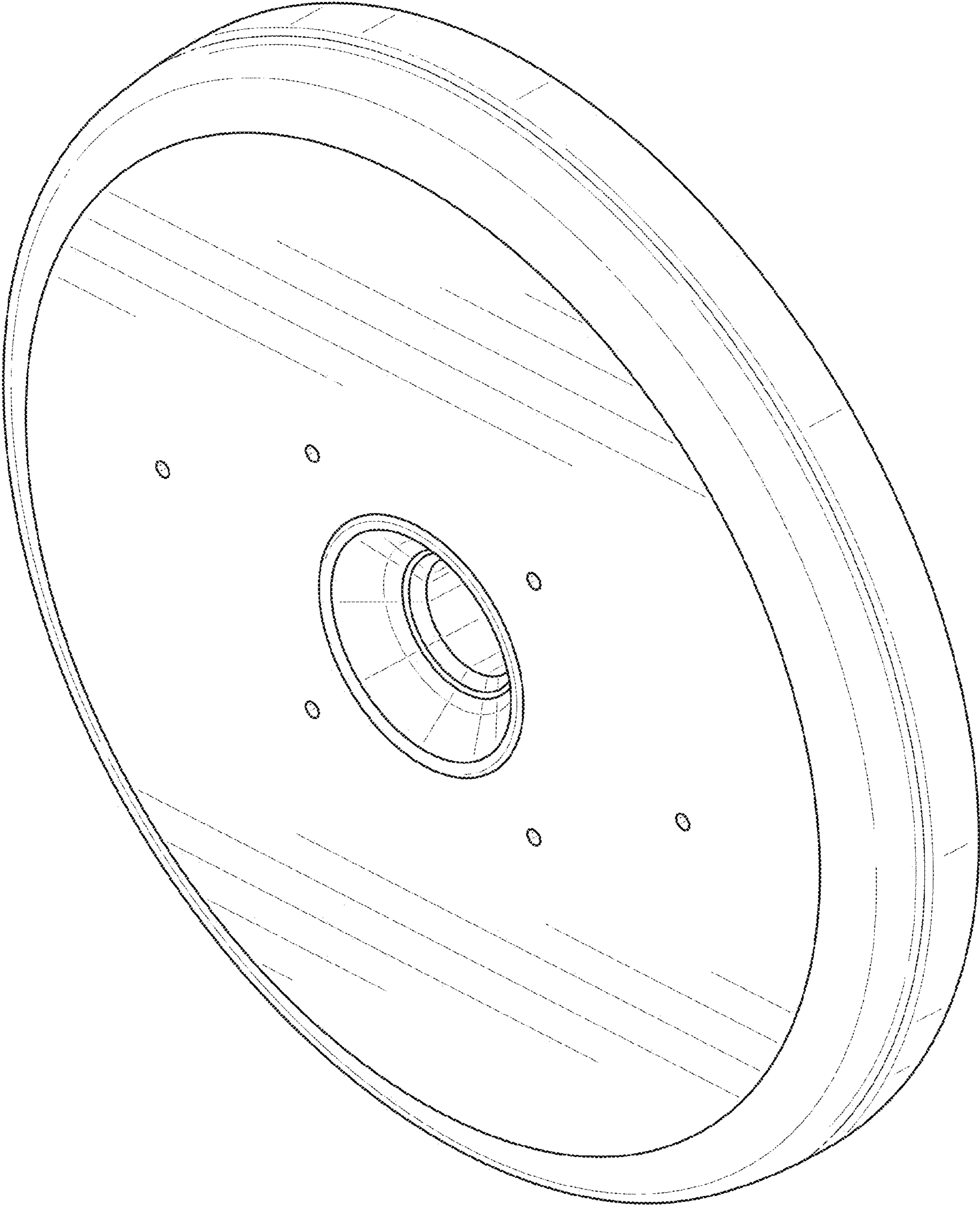
(56) **References Cited**

**U.S. PATENT DOCUMENTS**

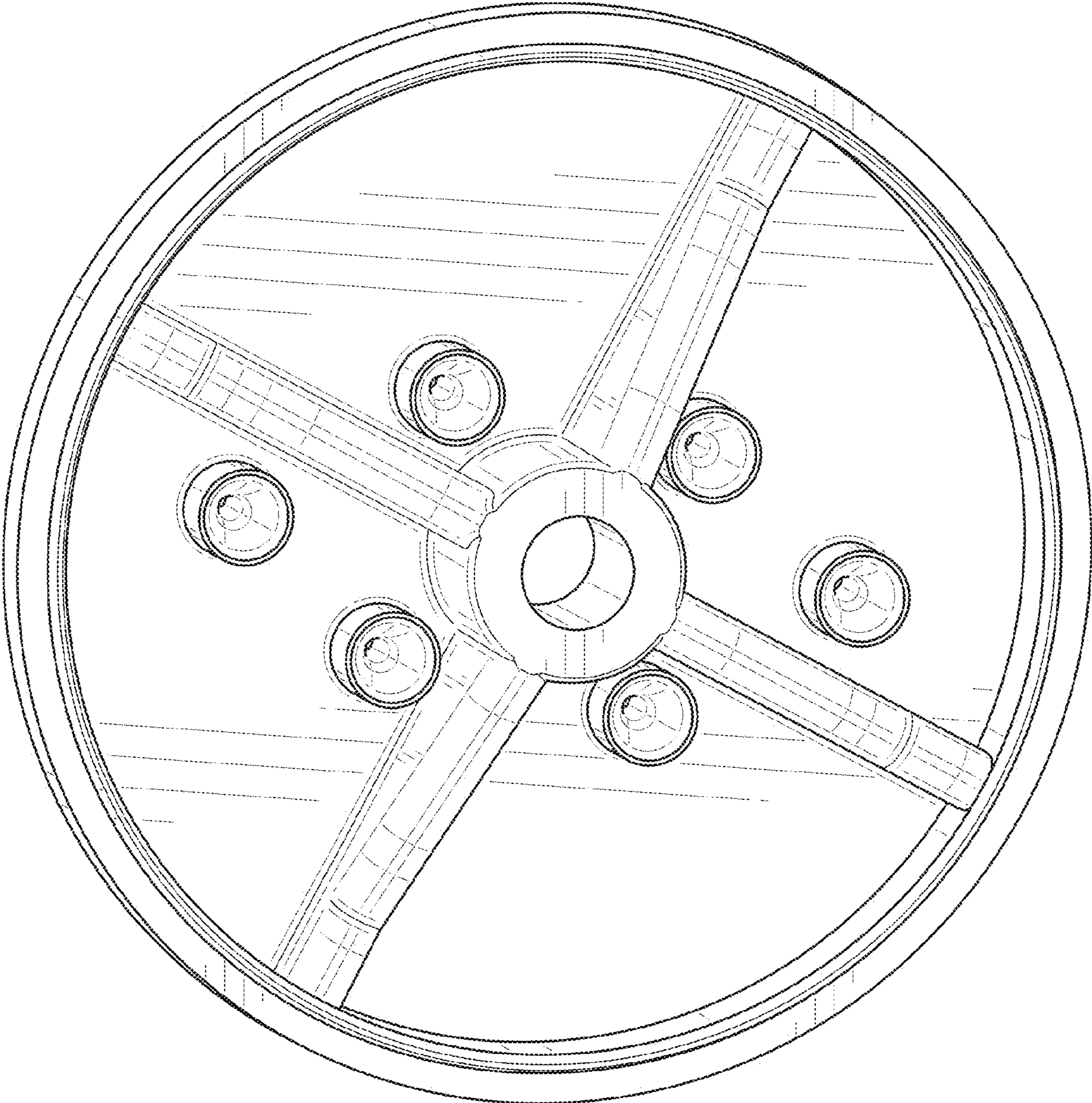
4,530,466 A \* 7/1985 Rounkles ..... B05B 11/043 222/211  
D462,417 S \* 9/2002 Wales ..... D23/213  
D526,050 S \* 8/2006 Gilbert ..... D23/249  
D566,228 S \* 4/2008 Neagoe ..... D23/213  
D628,898 S \* 12/2010 Barnett ..... D9/448

**1 Claim, 8 Drawing Sheets**

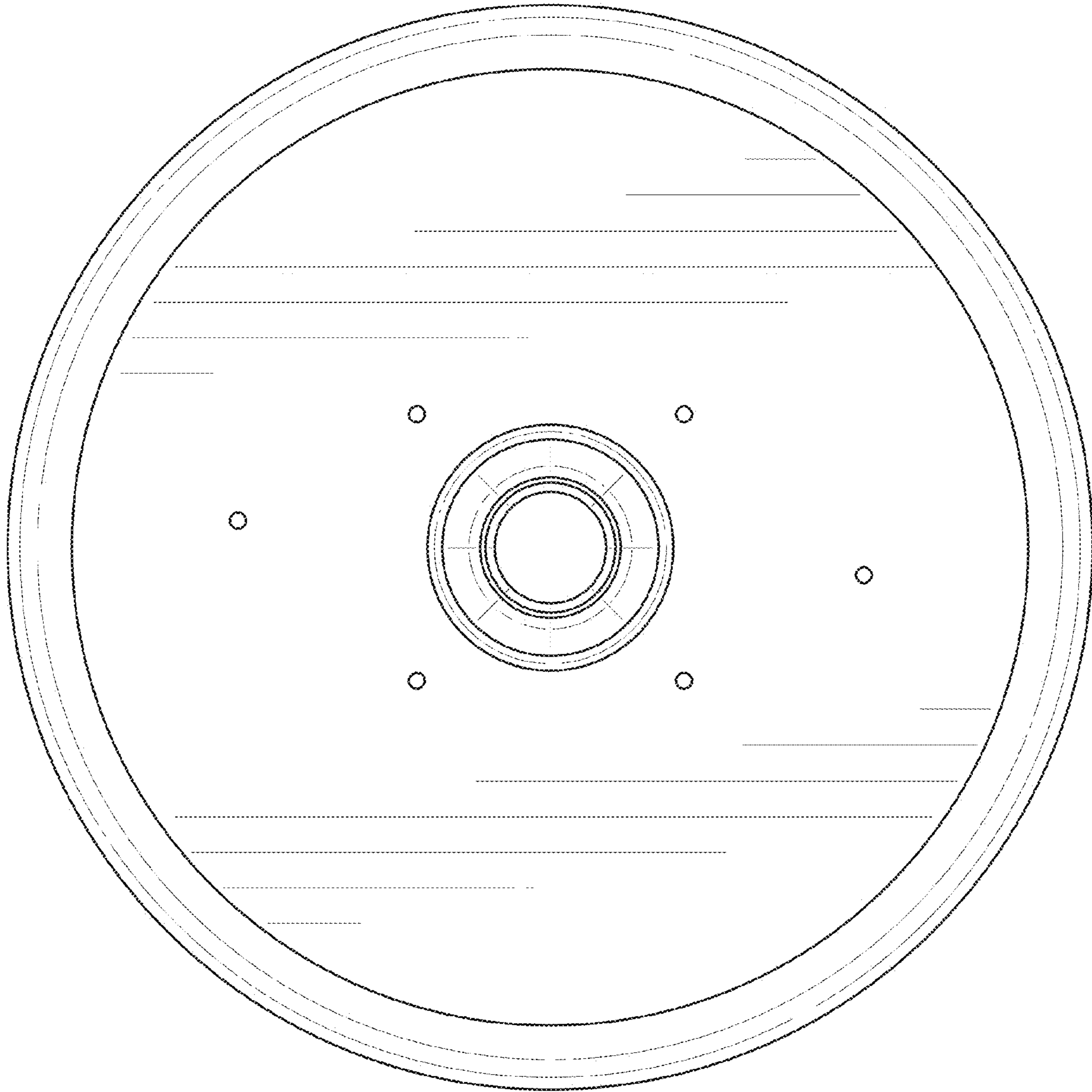




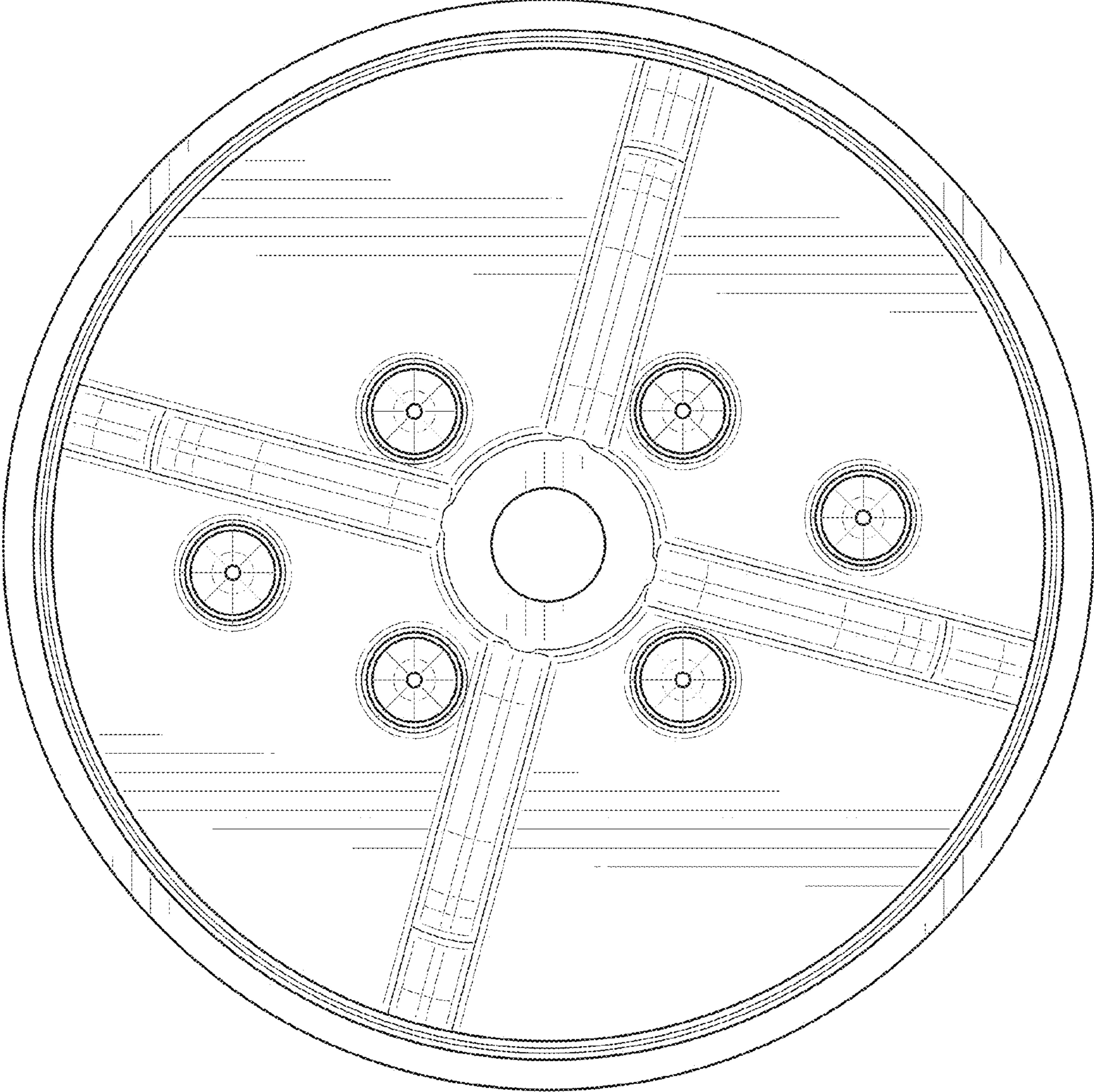
**FIG. 1**



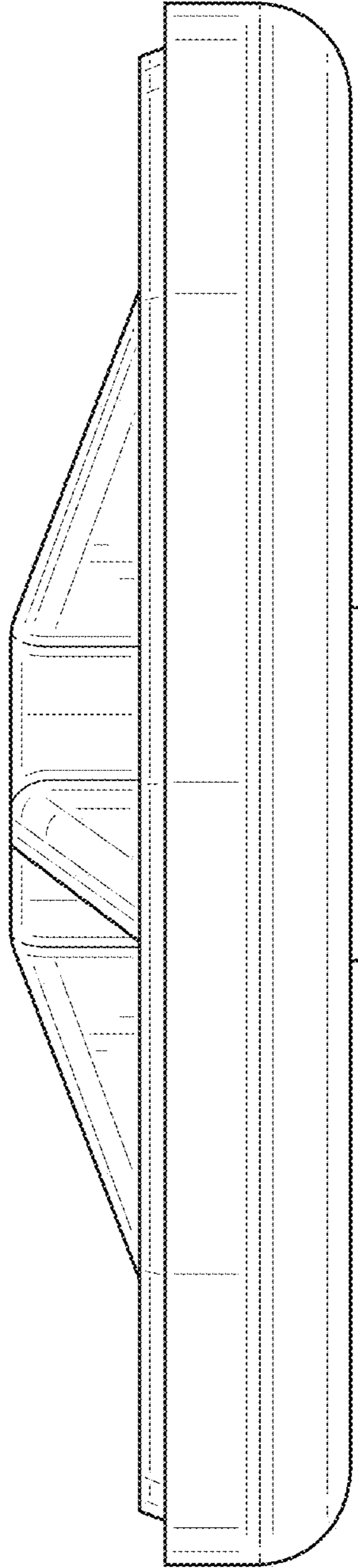
**FIG. 2**



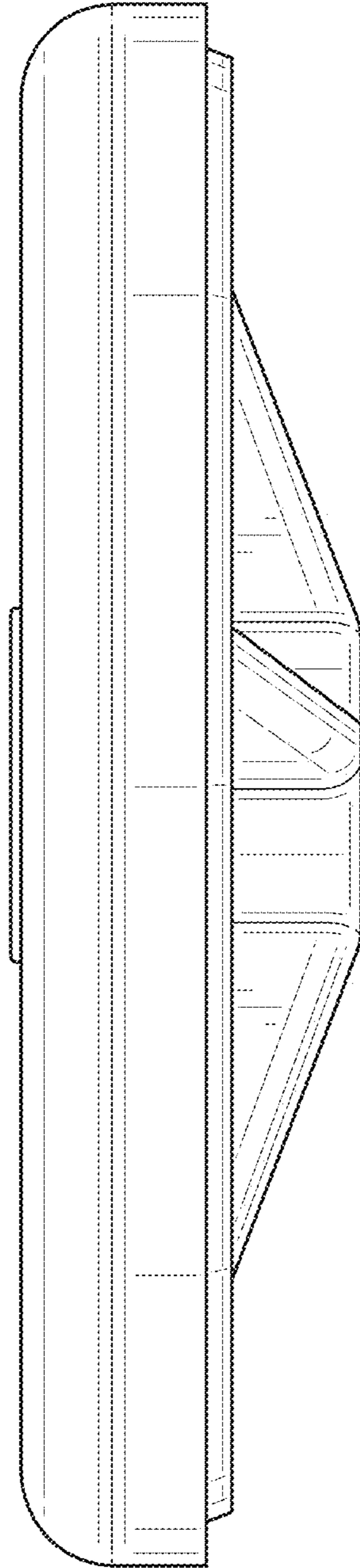
**FIG. 3**



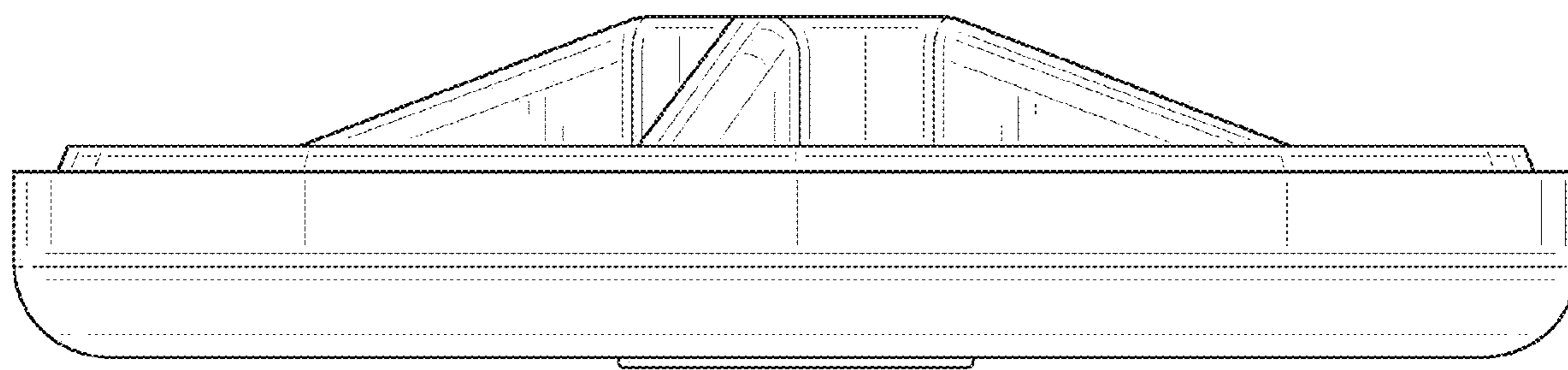
**FIG. 4**



**FIG. 5**

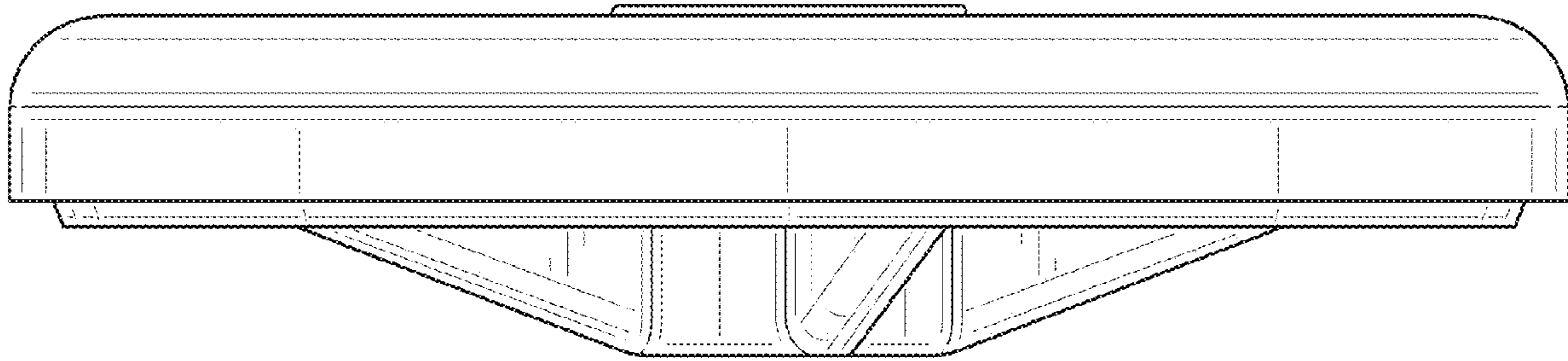


**FIG. 6**



**FIG. 7**





**FIG. 8**