



US00D889598S

(12) **United States Design Patent** (10) **Patent No.:** **US D889,598 S**
Chen (45) **Date of Patent:** **** Jul. 7, 2020**

(54) **RUBBER DIFFUSER**
(71) Applicant: **Shenzhen Jike Digital Technology Co., Ltd., Shenzhen (CN)**
(72) Inventor: **Zhuangxiaoyi Chen, Shenzhen (CN)**
(**) Term: **15 Years**
(21) Appl. No.: **29/683,706**
(22) Filed: **Mar. 15, 2019**
(51) **LOC (12) Cl.** **23-01**
(52) **U.S. Cl.**
USPC **D23/213**
(58) **Field of Classification Search**
USPC D23/201, 208, 355-369, 386; D13/158, D13/173
CPC A61L 9/02; A61L 9/03; A61L 9/12; A61L 9/035; A61L 9/125; B01F 3/04262; B01F 2003/04304; B01F 2003/04276
See application file for complete search history.

(56) **References Cited**
U.S. PATENT DOCUMENTS
3,235,325 A * 2/1966 Storchheim A61L 9/20 96/224
D235,547 S * 6/1975 Schimanski D23/364
D438,297 S * 2/2001 Audebourg D23/366
D475,023 S * 5/2003 Maushard D13/158
D531,294 S * 10/2006 Kazakevicius D23/366
D646,371 S * 10/2011 Kuo A61L 9/20 D23/366
D695,615 S * 12/2013 Rapparini D9/428
9,539,550 B1 * 1/2017 Frankel B01F 3/04262

D810,263 S * 2/2018 Lu B01F 3/04262 D23/366
D813,366 S * 3/2018 Tang D23/366
2016/0184780 A1 * 6/2016 Frankel B01F 3/04241 261/122.1

OTHER PUBLICATIONS

Global Sources, PAS7B2M10ESA4-5 12mm momentary dome switch, undated online product page, retrieved May 12, 2020 from <URL:https://createn.manufacturer.globalsources.com/si/6008852391997/pdtl/Pushbutton-switch/1168887718/momentary-dome-switch.htm> (Year: 2020).*

* cited by examiner

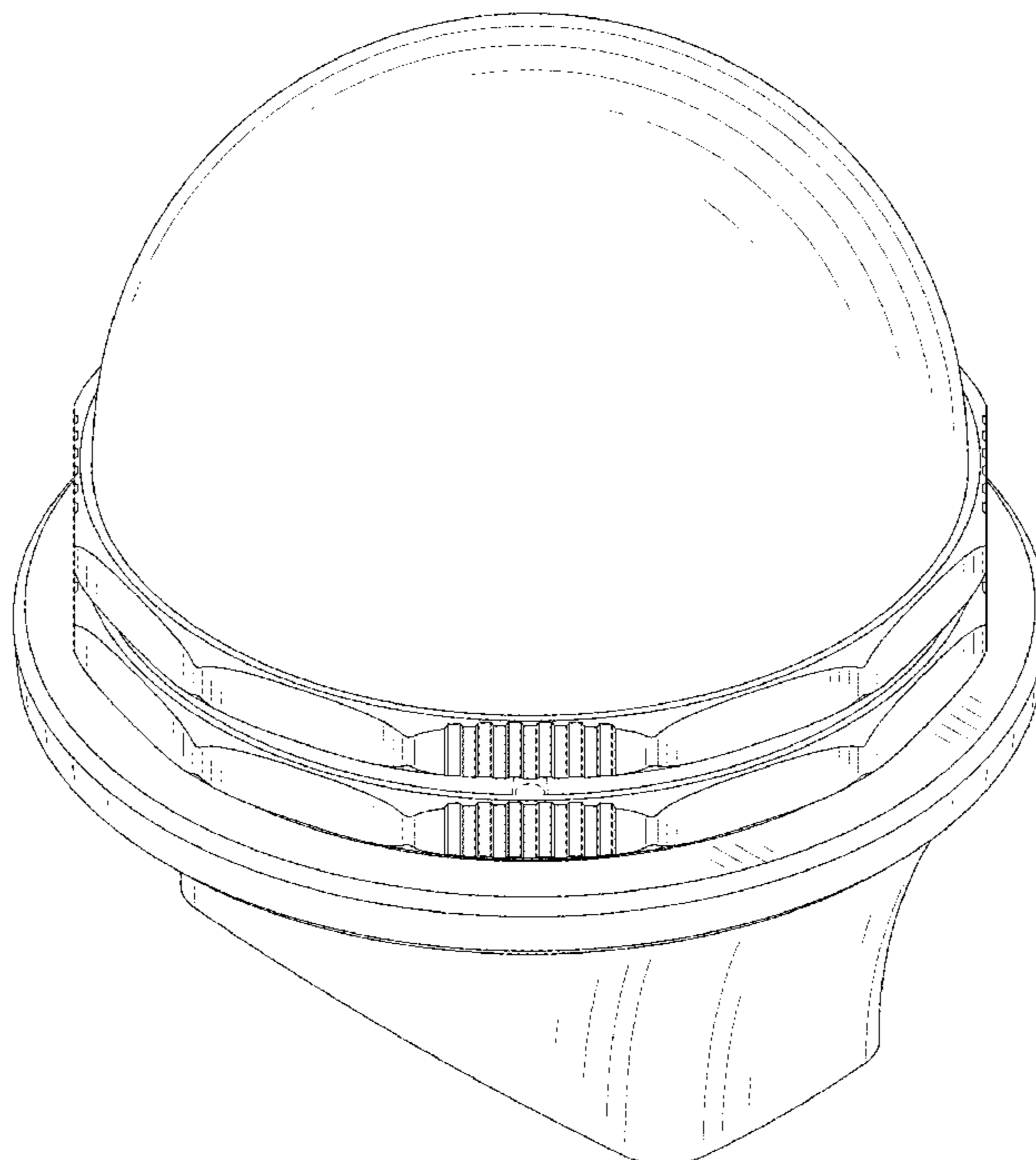
Primary Examiner — Sheryl Lane
Assistant Examiner — Calvin E Vansant
(74) *Attorney, Agent, or Firm* — ZANIP

(57) **CLAIM**
The ornamental design for a rubber diffuser, as shown and described.

DESCRIPTION

FIG. 1 is a first perspective view of a rubber diffuser showing my design;
FIG. 2 is a second perspective view thereof;
FIG. 3 is a front view thereof;
FIG. 4 is a back view thereof;
FIG. 5 is a left side view thereof;
FIG. 6 is a right side view thereof;
FIG. 7 is a top view thereof; and,
FIG. 8 is a bottom view thereof.
The dashed or broken lines shown in the drawings depict portions of the rubber diffuser in which the design is embodied that form no part of the claimed design.

1 Claim, 8 Drawing Sheets



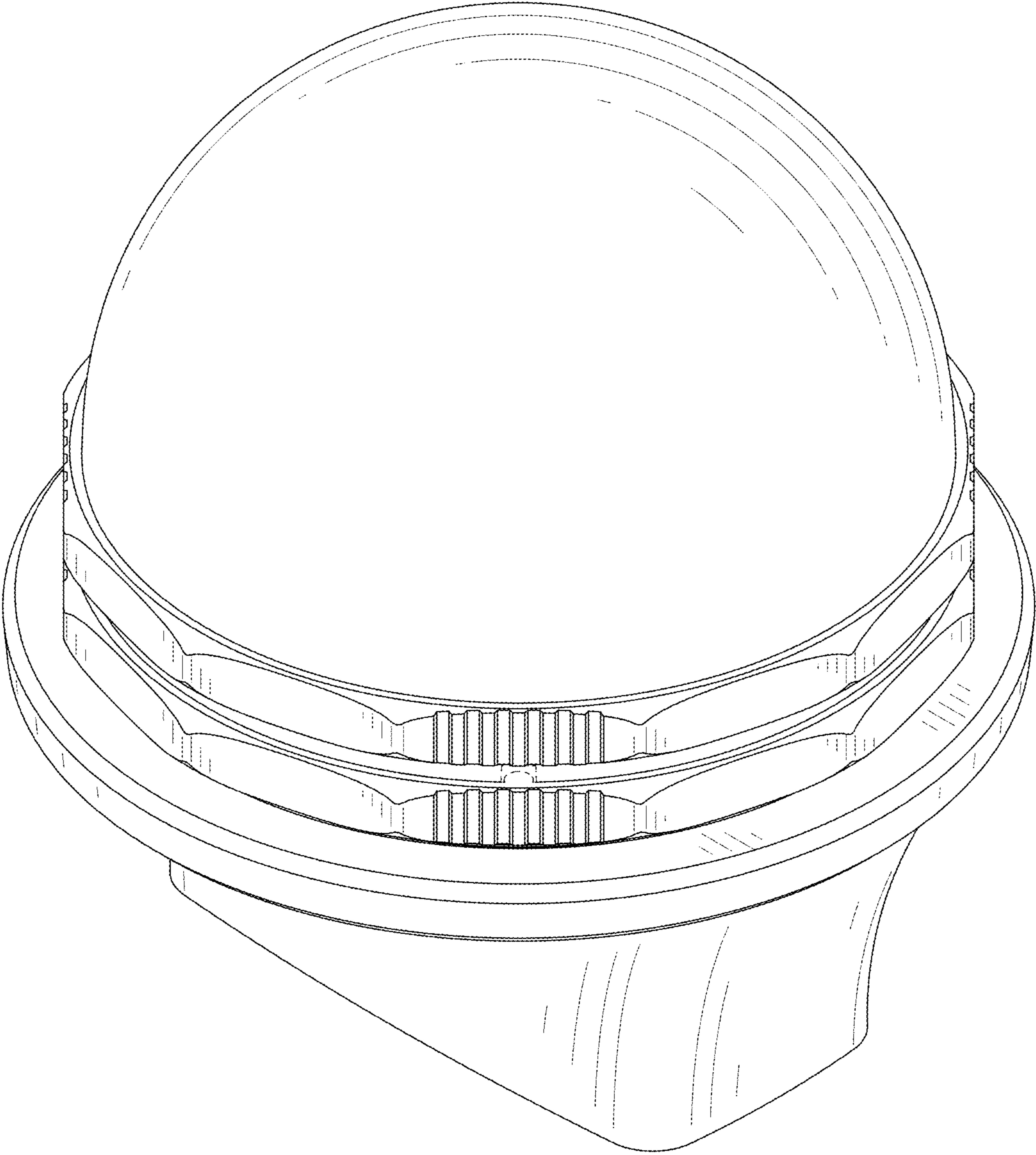


FIG. 1

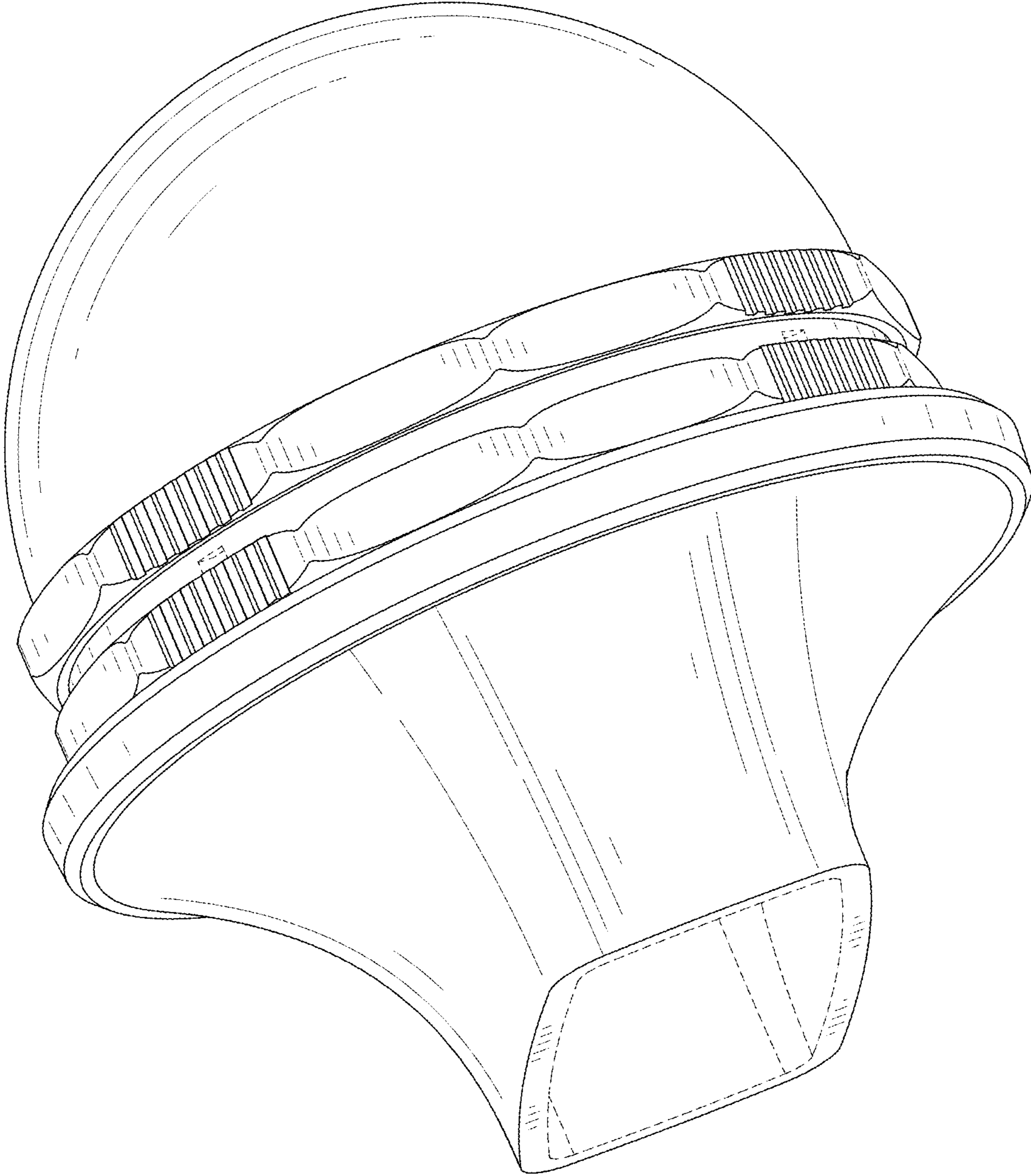


FIG. 2

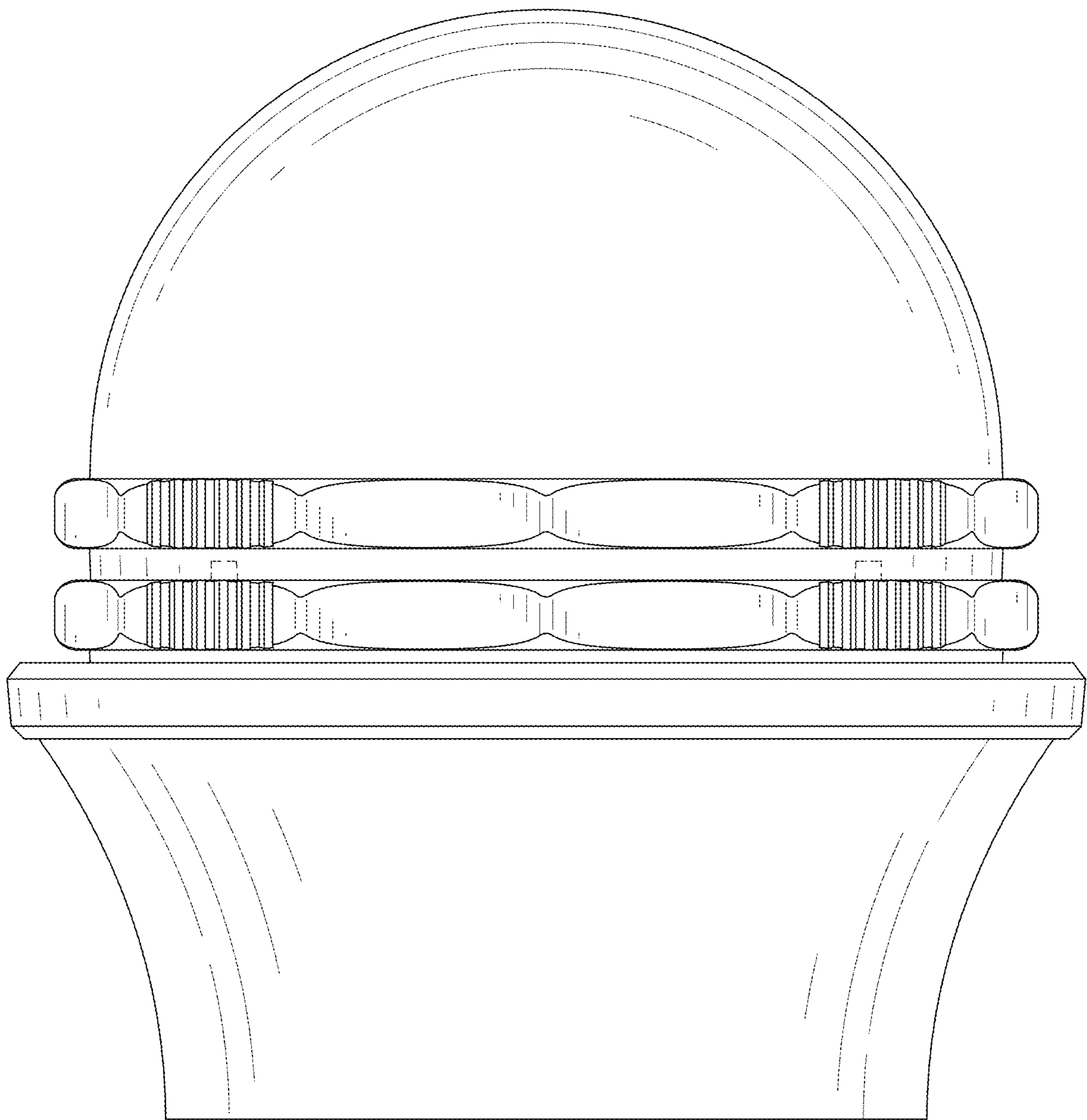


FIG. 3

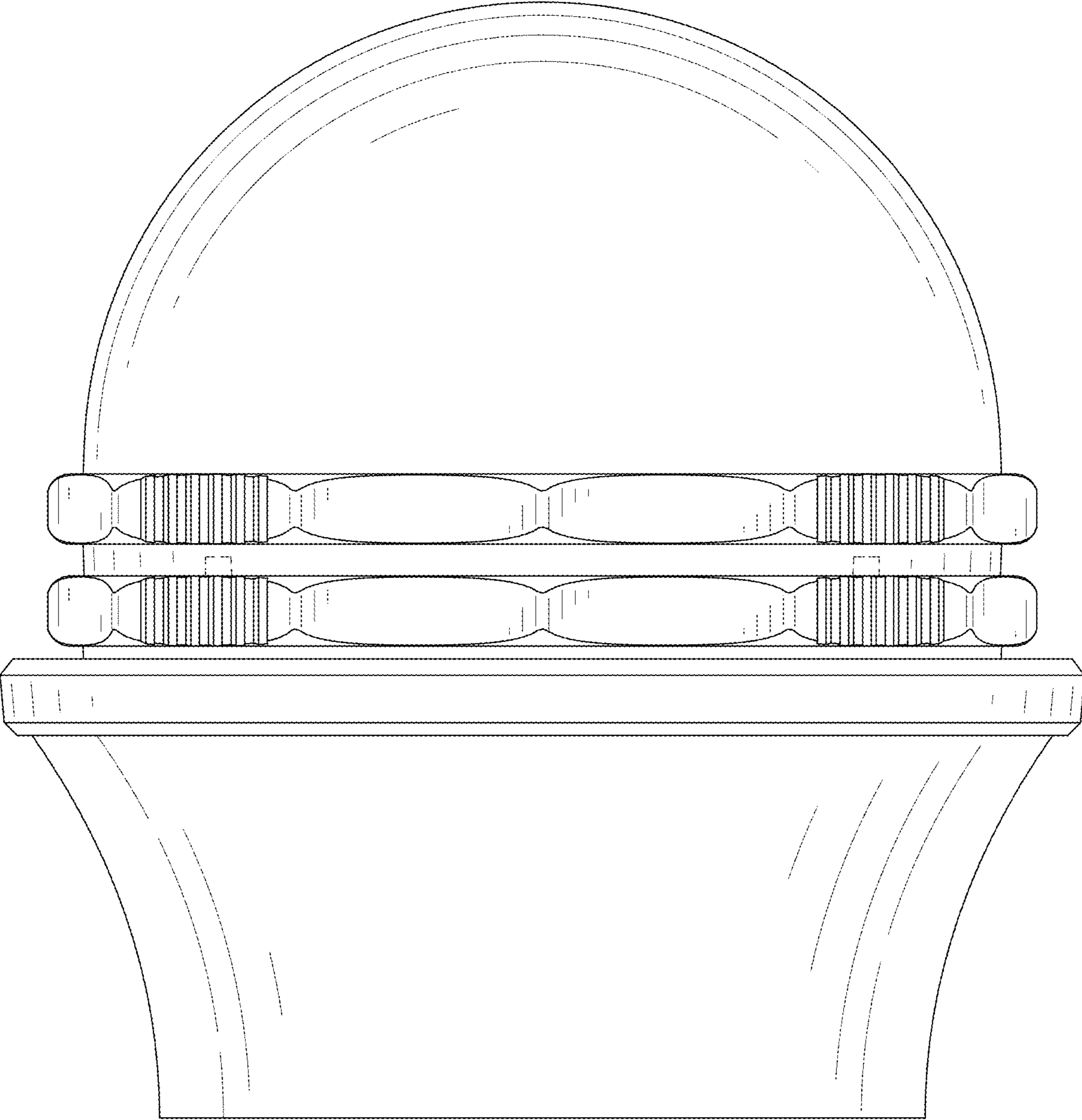


FIG. 4

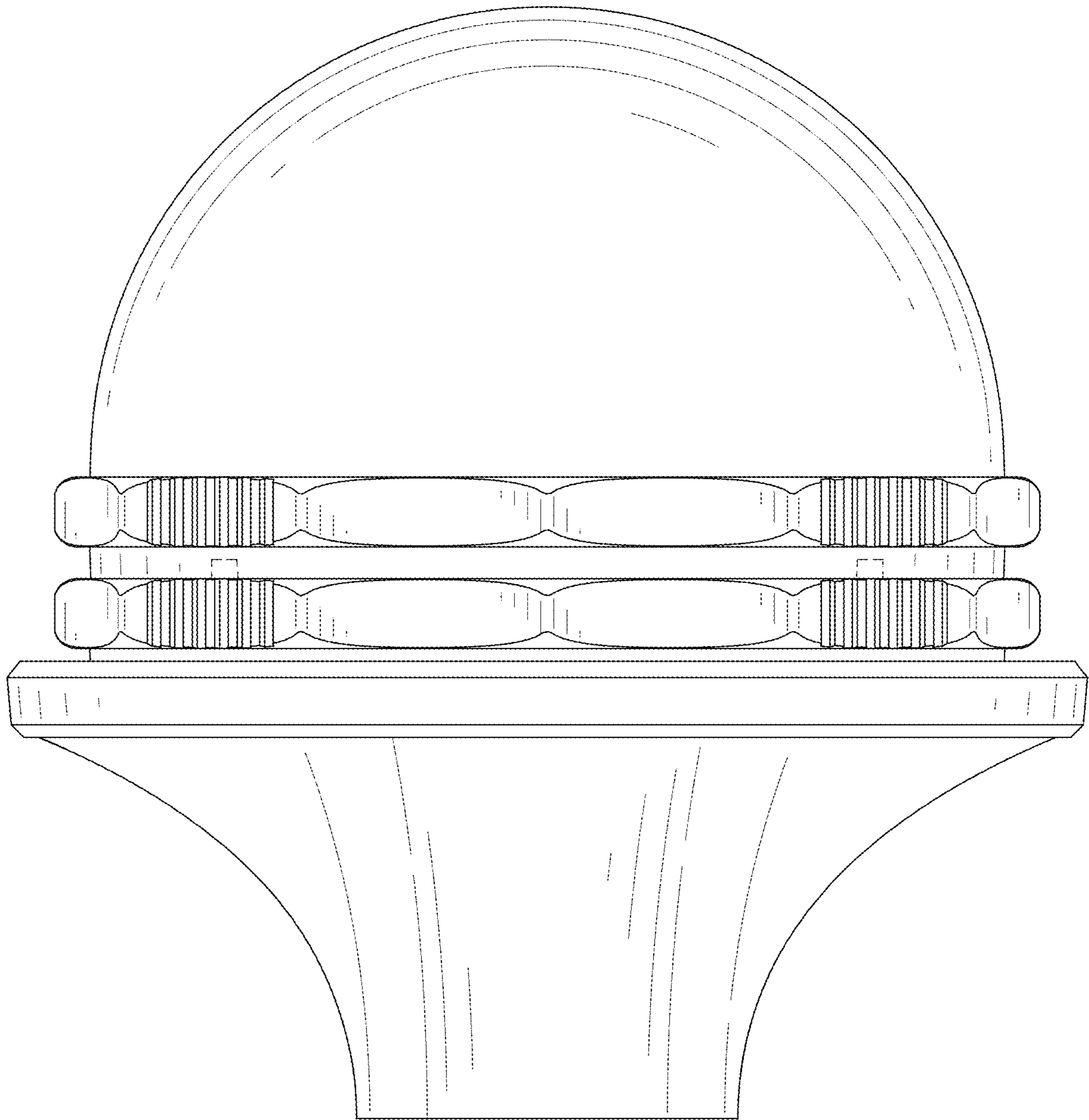


FIG. 5

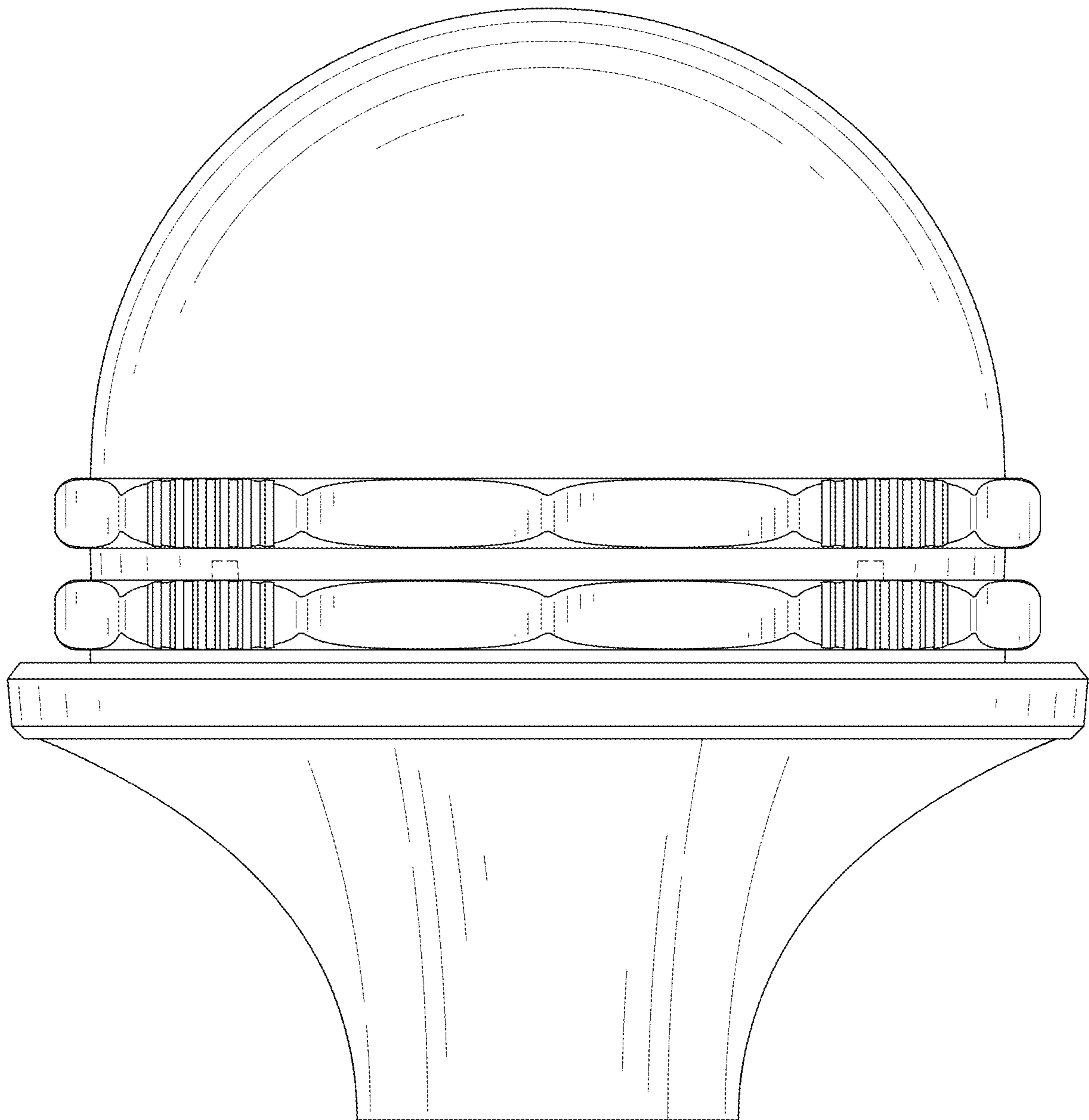


FIG. 6

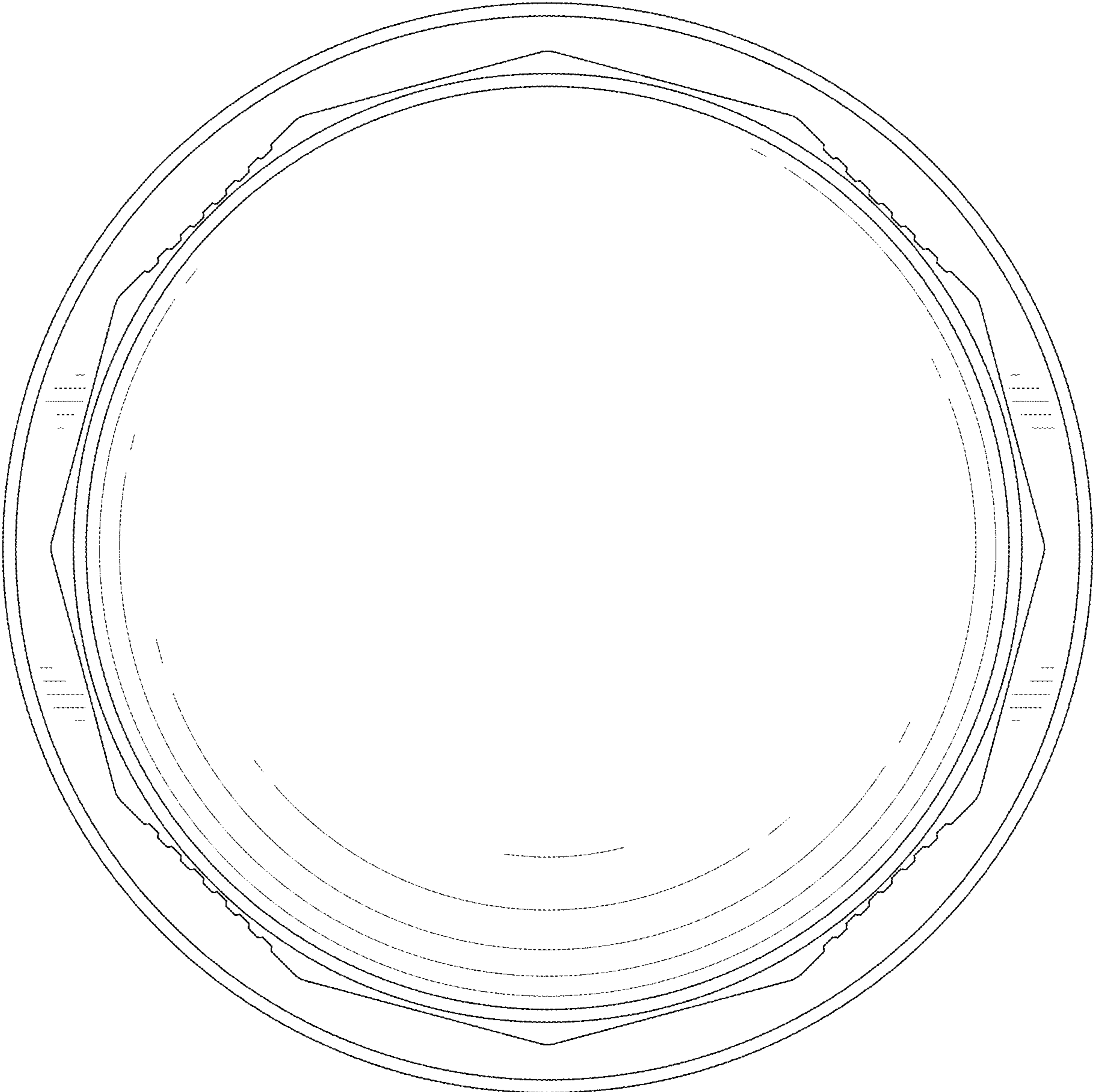


FIG. 7

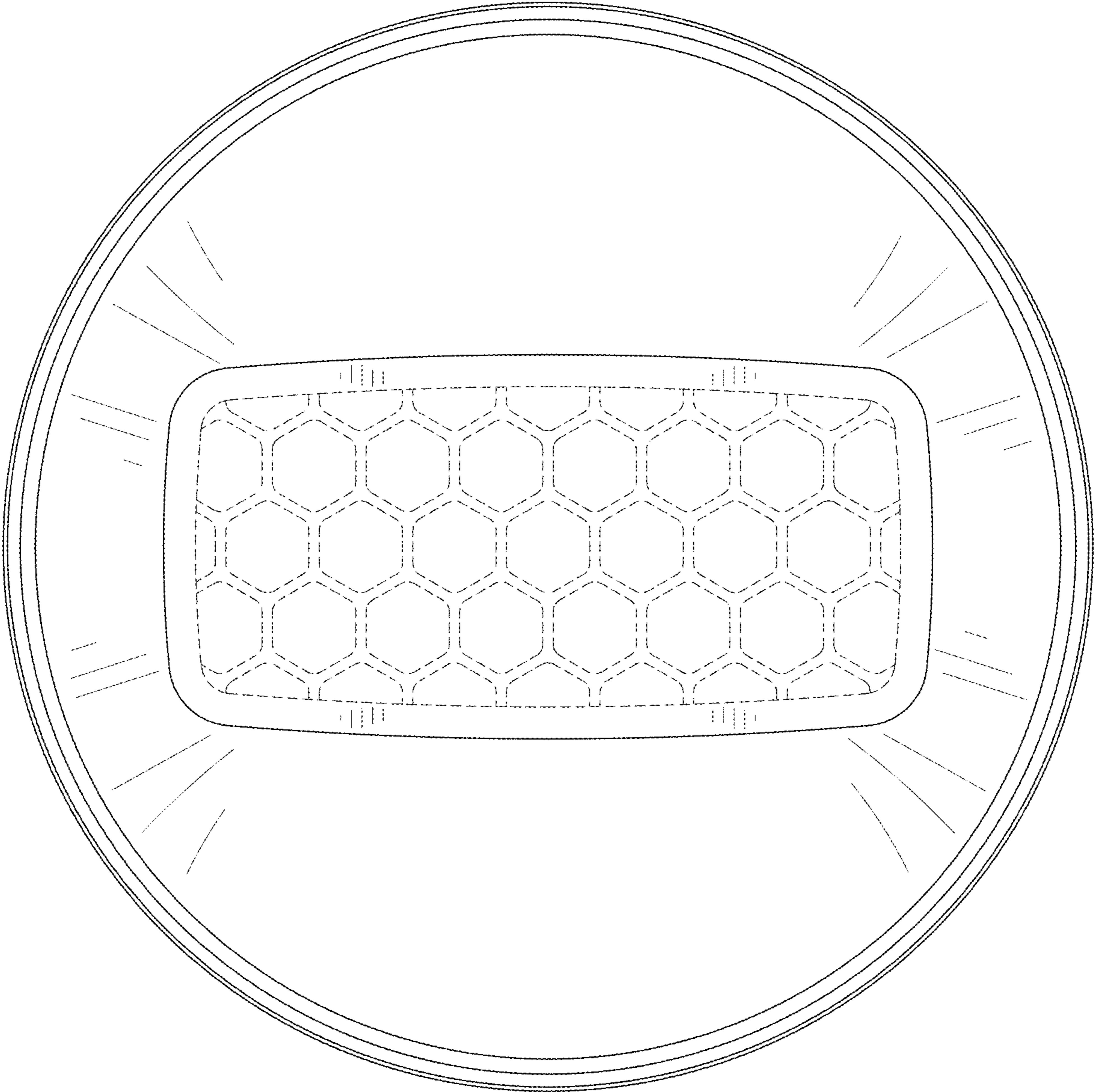


FIG. 8