



US00D889597S

(12) **United States Design Patent** (10) **Patent No.:** **US D889,597 S**
Dammkoehler et al. (45) **Date of Patent:** **** Jul. 7, 2020**

(54) **SPRAY GUN FOR A CLEANING MACHINE**

(71) Applicant: **Alfred Kaercher SE & Co. KG**,
Winnenden (DE)

(72) Inventors: **Denis Dammkoehler**, Backnang (DE);
Yunjin Zhao, Winnenden (DE)

(73) Assignee: **Alfred Kaercher SE & Co. KG**,
Winnenden (DE)

(**) Term: **15 Years**

(21) Appl. No.: **29/680,372**

(22) Filed: **Feb. 15, 2019**

(30) **Foreign Application Priority Data**

Aug. 23, 2018 (WO) DM/102 689

(51) **LOC (12) Cl.** **23-01**

(52) **U.S. Cl.**
USPC **D23/213; D23/223; D23/226**

(58) **Field of Classification Search**
USPC D23/213, 214, 215, 223, 224, 226, 229,
D23/230

CPC A61H 9/0021; A61H 33/00; B05B 1/00;
B05B 1/14; B05B 1/185; B05B 1/08;
B05B 1/02; B05B 1/26; B05B 12/002;
B05B 1/18; B05B 9/01

See application file for complete search history.

(56) **References Cited**

U.S. PATENT DOCUMENTS

D410,995 S *	6/1999	Hsin-Fa	D23/226
D411,607 S *	6/1999	Wang	D23/226
D415,251 S *	10/1999	Kuo	D23/226
D415,253 S *	10/1999	Kuo	D23/226
D421,483 S *	3/2000	Patrick	D23/226
D422,056 S *	3/2000	Patrick	D23/226

D451,582 S *	12/2001	Kuo	D23/226
D457,221 S *	5/2002	Alkalay	D23/226
D501,914 S *	2/2005	Chen	D23/223
D512,122 S *	11/2005	Yorns	D23/223
D542,381 S *	5/2007	Jou	D23/226
D553,223 S *	10/2007	Yu	D23/226
D578,603 S *	10/2008	Khaitov	D23/213
D629,067 S *	12/2010	Carpanese	D23/226
D636,848 S *	4/2011	Fontaine	D23/226
D745,636 S *	12/2015	Lin	D23/226
D746,945 S *	1/2016	Naslund	D23/223
D746,947 S *	1/2016	Naslund	D23/223
D770,594 S *	11/2016	Dammkoehler	D23/226
D782,005 S *	3/2017	Naslund	D23/223

(Continued)

OTHER PUBLICATIONS

<https://www.amazon.com/Karcher-Multi-Functional-Spray-Gun-Set/dp/B00TH5ZRTI> (Year: 2016).*

(Continued)

Primary Examiner — Manpreet S Matharu
Assistant Examiner — Keith J Wilson
(74) *Attorney, Agent, or Firm* — Lipsitz & McAllister, LLC

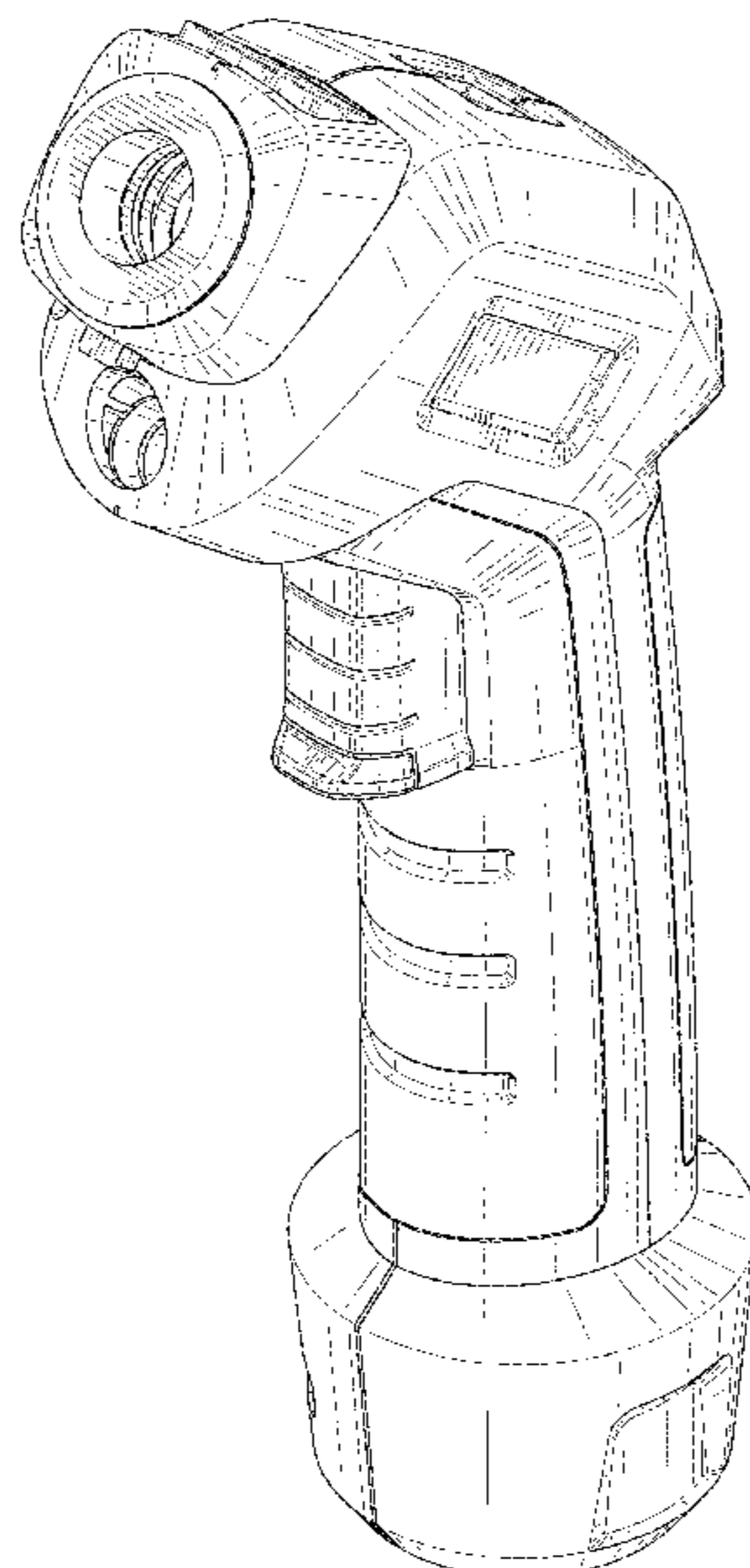
(57) **CLAIM**

The ornamental design for a spray gun for a cleaning machine, as shown and described.

DESCRIPTION

FIG. 1 is a front, top and left side perspective view of a spray gun for a cleaning machine showing the new design; FIG. 2 is a front, top and right side perspective view thereof; FIG. 3 is a front elevational view thereof; FIG. 4 is a left side elevational view thereof; FIG. 5 is a rear elevational view thereof; FIG. 6 is a right side elevational view thereof; and, FIG. 7 is a top plan view thereof.

1 Claim, 7 Drawing Sheets



(56)

References Cited

U.S. PATENT DOCUMENTS

D824,490 S * 7/2018 Montoya D23/223
D824,491 S * 7/2018 Montoya D23/223

OTHER PUBLICATIONS

Extract from catalog of Alfred Kaercher GmbH & Co. KG, "Pro-
gramme 2014 Kaercher Professional", cover, pp. 394, 532 and last
page (Nov. 2013).

* cited by examiner

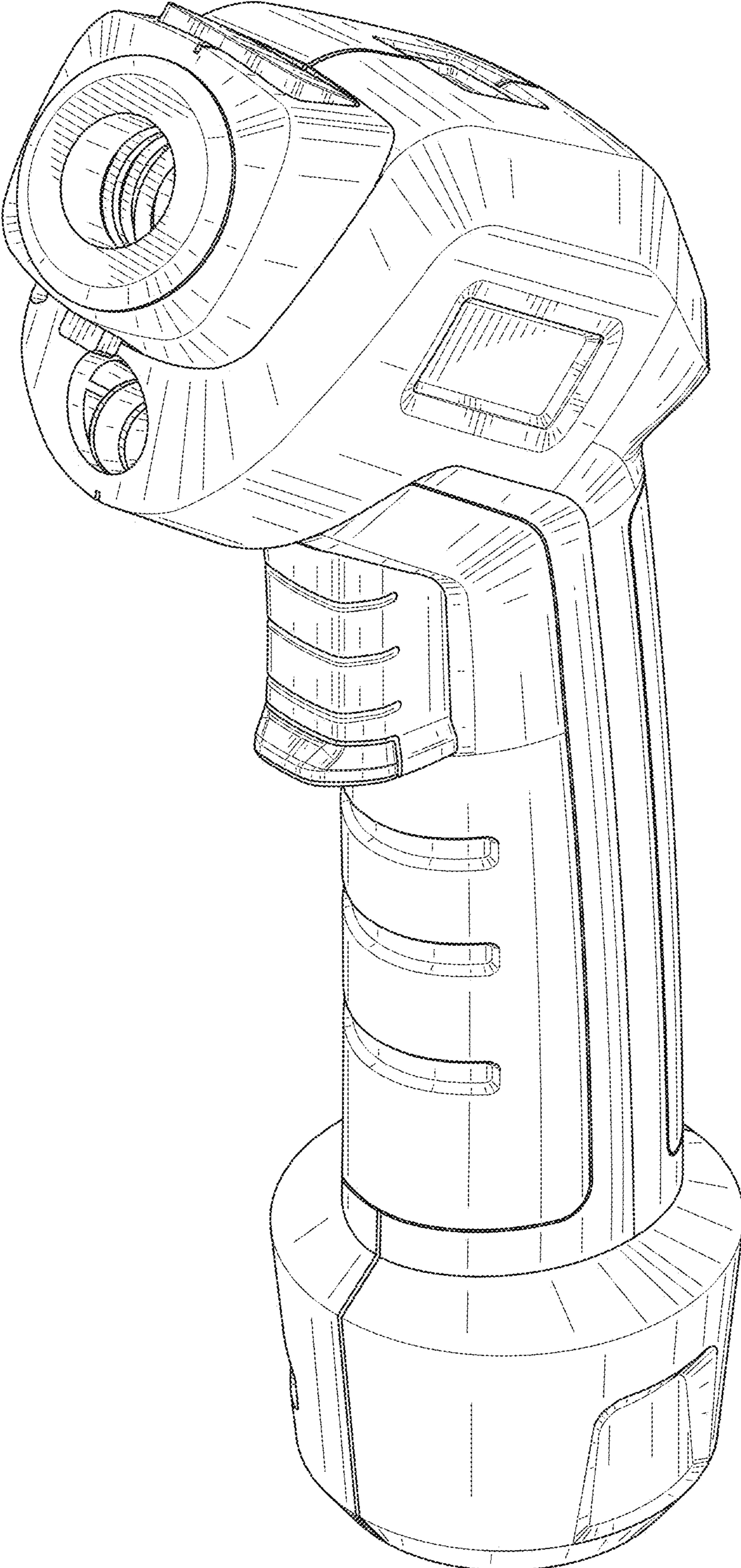


FIG. 1

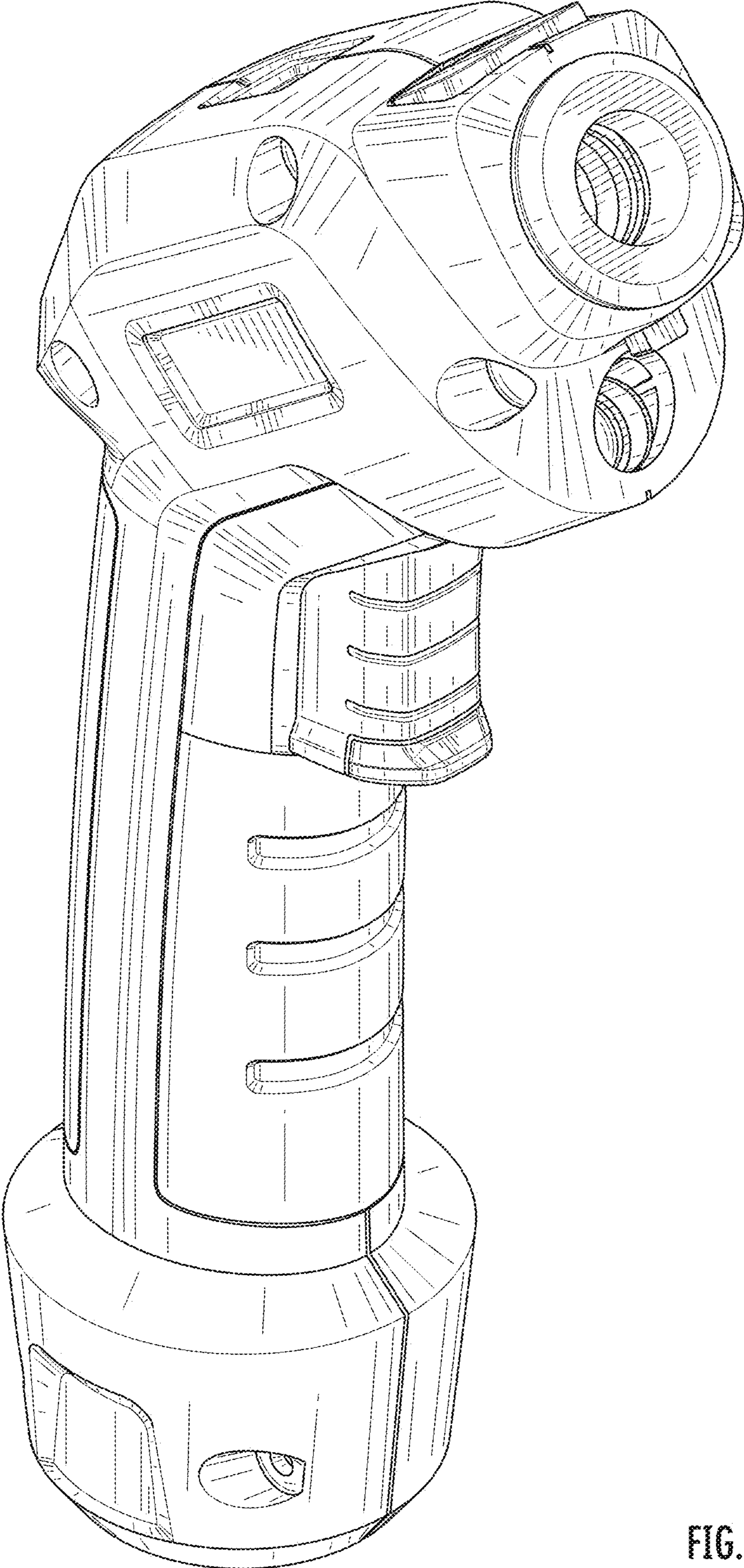


FIG. 2

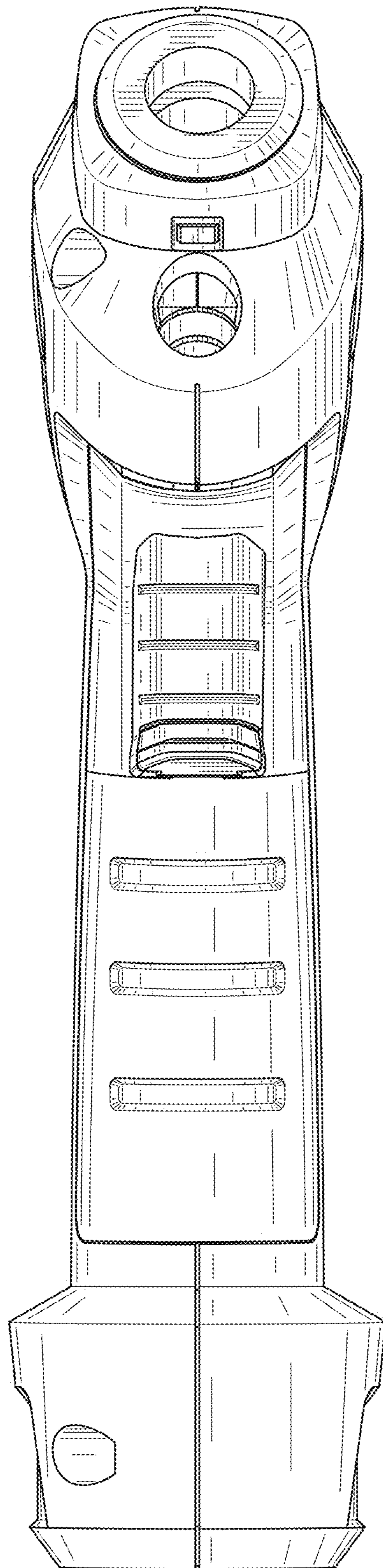


FIG. 3

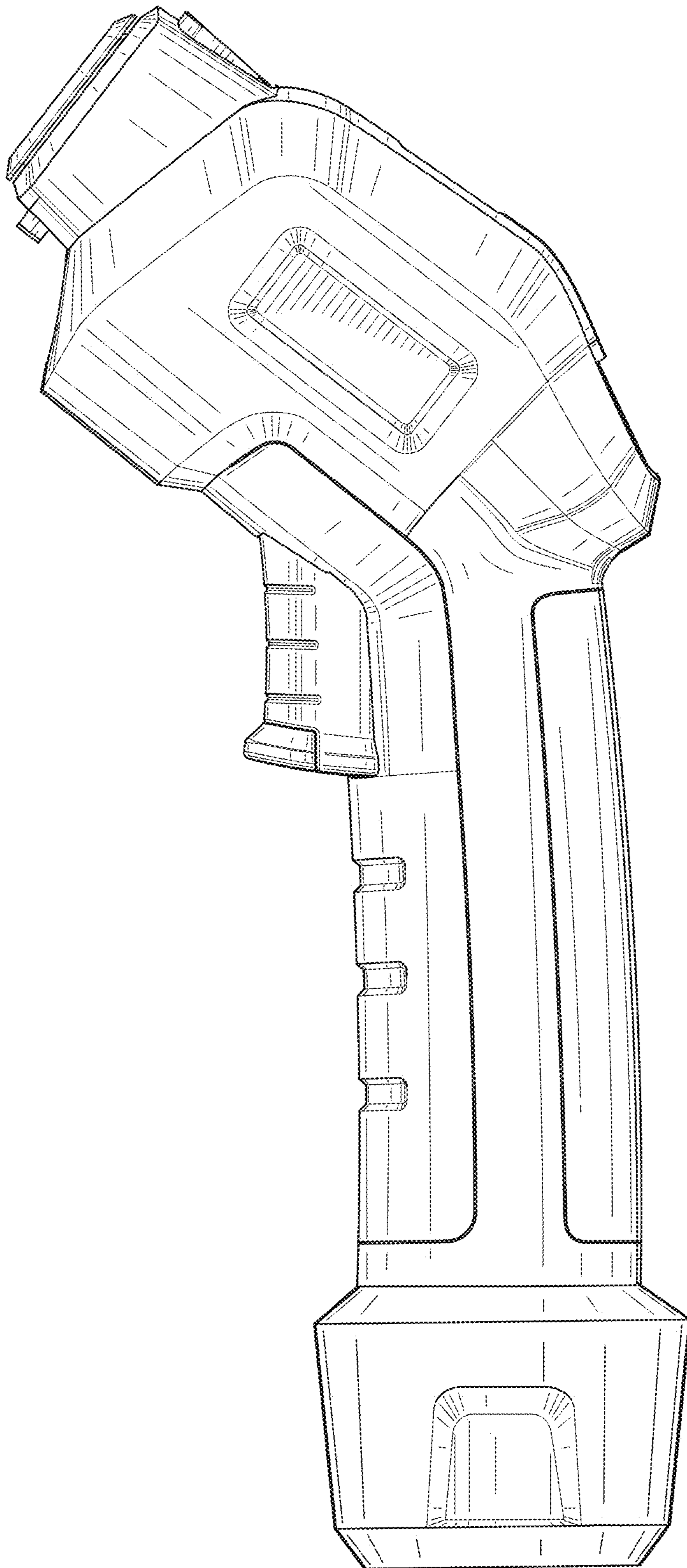


FIG. 4

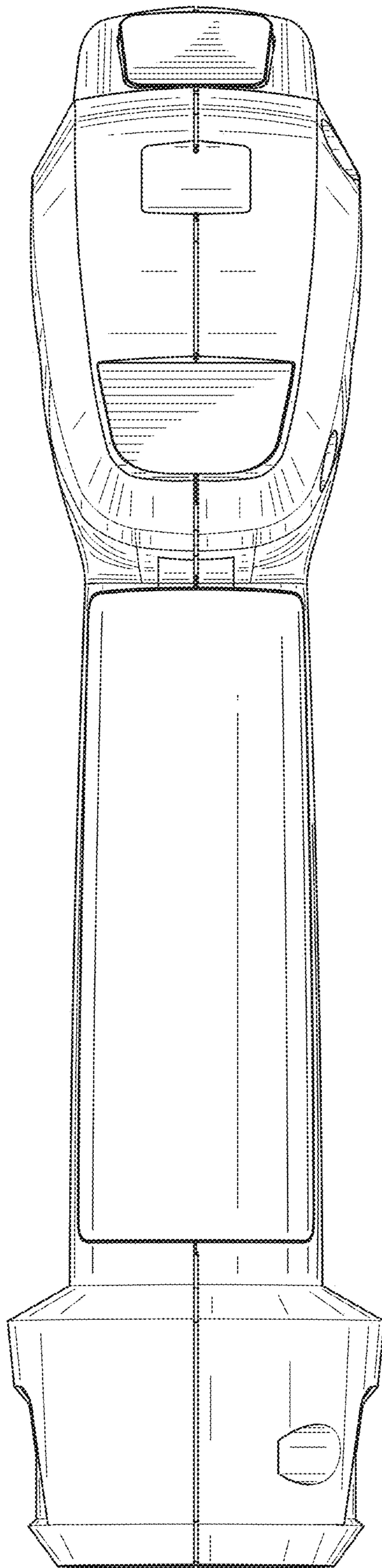


FIG. 5

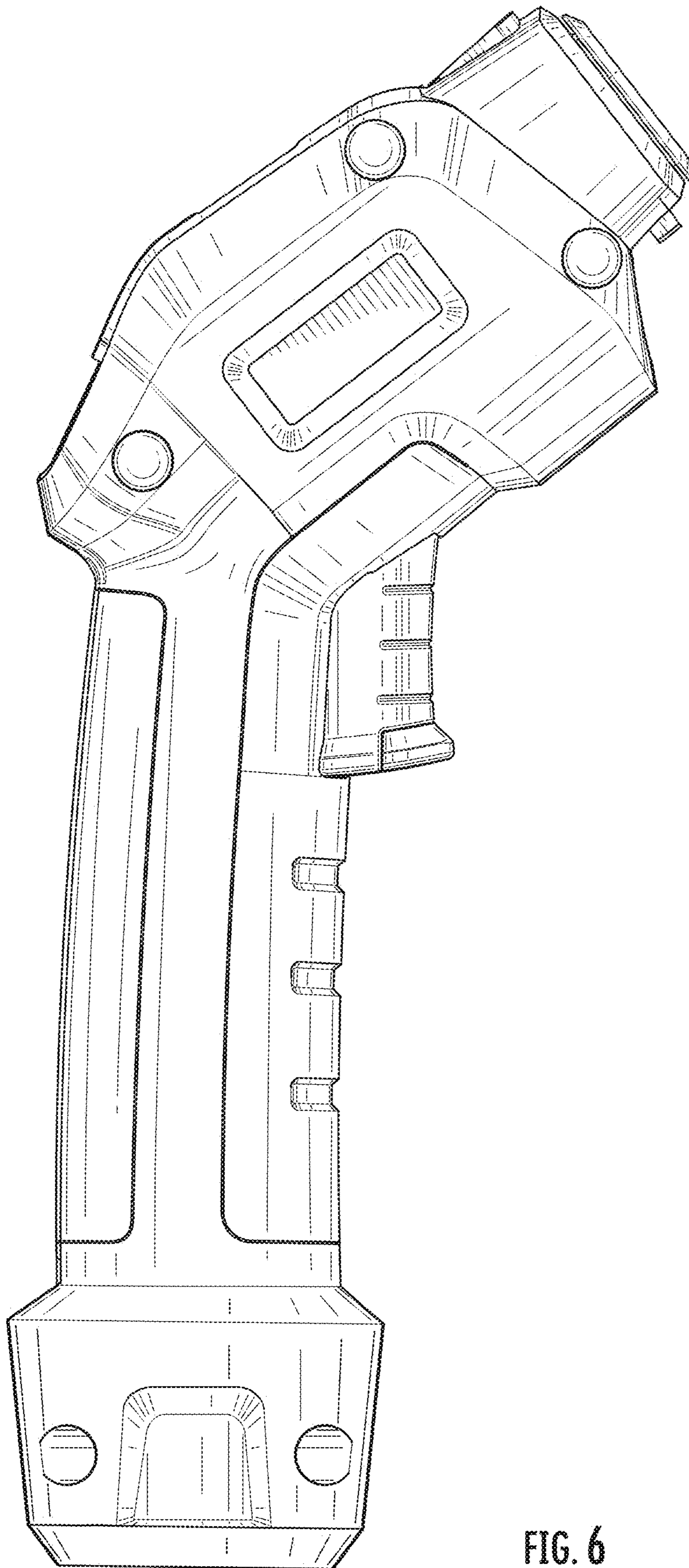


FIG. 6

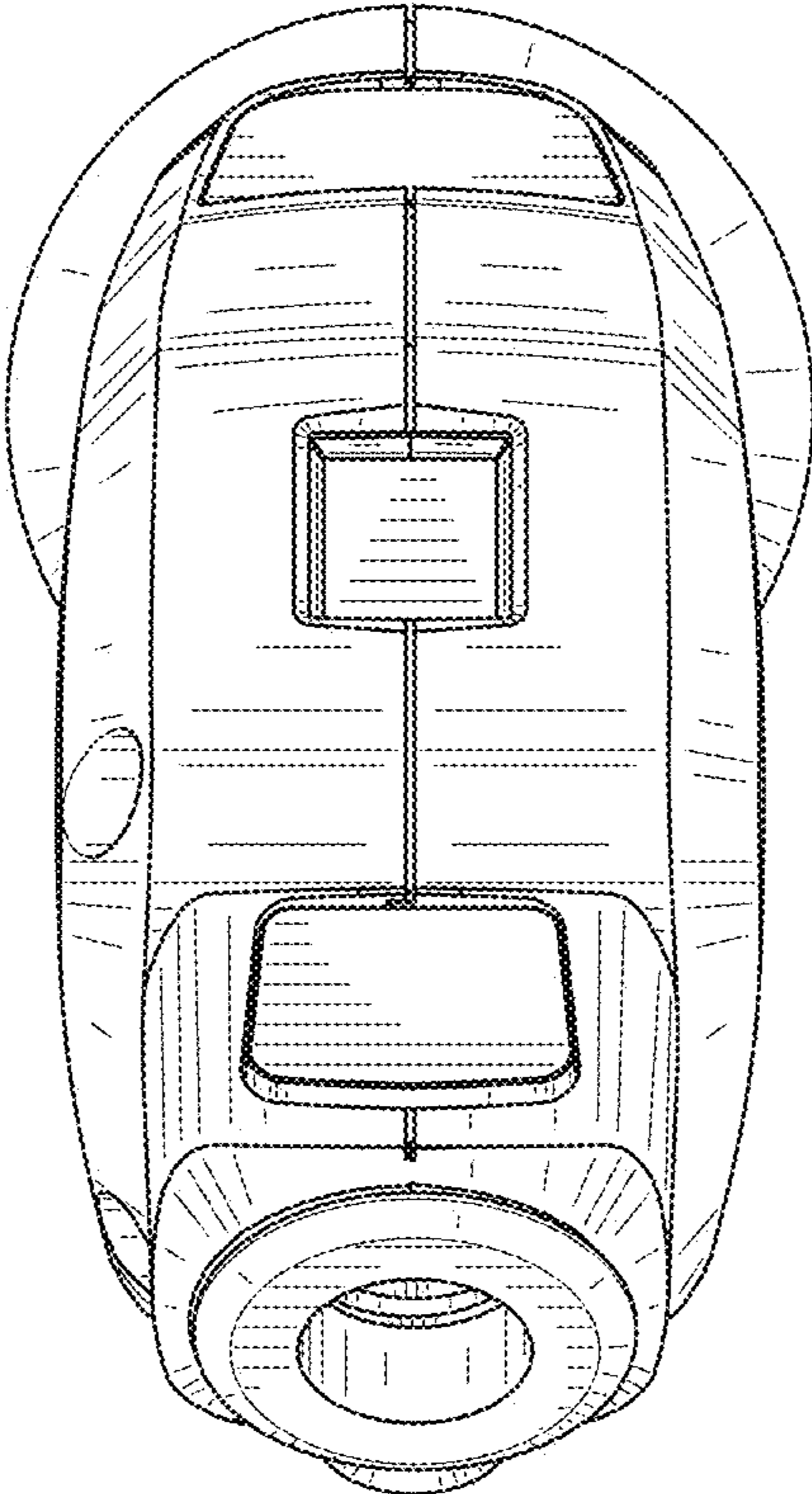


FIG. 7