



US00D889595S

(12) **United States Design Patent** (10) **Patent No.:** **US D889,595 S**
Fangman et al. (45) **Date of Patent:** **** Jul. 7, 2020**

(54) **DISTRIBUTOR PLATE ASSEMBLY**

FOREIGN PATENT DOCUMENTS

(71) Applicant: **Ecowater Systems LLC**, Woodbury, MN (US)

EP 1601902 A2 12/2005
EP 1434962 A4 11/2010

(72) Inventors: **Christopher James Fangman**, Red Wing, MN (US); **George L. Dimotsis**, Woodbury, MN (US); **Mark Joseph Sowada**, Plymouth, MN (US); **Malcolm Kahn**, Franklin Lakes, NJ (US)

OTHER PUBLICATIONS

Zhe Tan, Shengfu Chen, Xincheng Peng, Lin Zhang, Congjie Gao; "Polyamide Membranes With Nanoscale Turing Structures for Water Purification"; Science 360, p. 518-521 (2018), May 4, 2018.

(Continued)

(73) Assignee: **Ecowater Systems LLC**, Woodbury, MN (US)

Primary Examiner — Sheryl Lane
Assistant Examiner — Calvin E Vansant

(**) Term: **15 Years**

(74) *Attorney, Agent, or Firm* — DeLio Peterson & Curcio LLC; Robert Curcio

(21) Appl. No.: **29/668,918**

(57) **CLAIM**

(22) Filed: **Nov. 2, 2018**

The ornamental design for a "distributor plate assembly", as shown and described.

(51) **LOC (12) Cl.** **23-01**

(52) **U.S. Cl.**
USPC **D23/207**

(58) **Field of Classification Search**

USPC D23/202, 203, 205, 206, 207, 209, 233, D23/235, 336, 365, 366
CPC B01D 2201/29; B01D 2201/30; B01D 2201/301; B01D 2201/302; B01D 2201/306; B01D 2201/309; B01D 35/30; F17C 1/14; F17C 1/16

See application file for complete search history.

DESCRIPTION

FIG. 1 is a front elevational view of the "distributor plate assembly" design according to our invention;
FIG. 2 is a back elevational view of the "distributor plate assembly" shown in FIG. 1;
FIG. 3 is a right elevational view of the "distributor plate assembly" shown in FIG. 1;
FIG. 4 is a left elevational view of the "distributor plate assembly" shown in FIG. 1;
FIG. 5 is a top view of the "distributor plate assembly" shown in FIG. 1;
FIG. 6 is a bottom view of the "distributor plate assembly" shown in FIG. 1;
FIG. 7 is a top perspective view of the "distributor plate assembly" shown in FIG. 1; and,
FIG. 8 is a bottom perspective view of the "distributor plate assembly" shown in FIG. 1.
The broken lines represent portions of the distributor plate assembly that form no part of the claimed design.

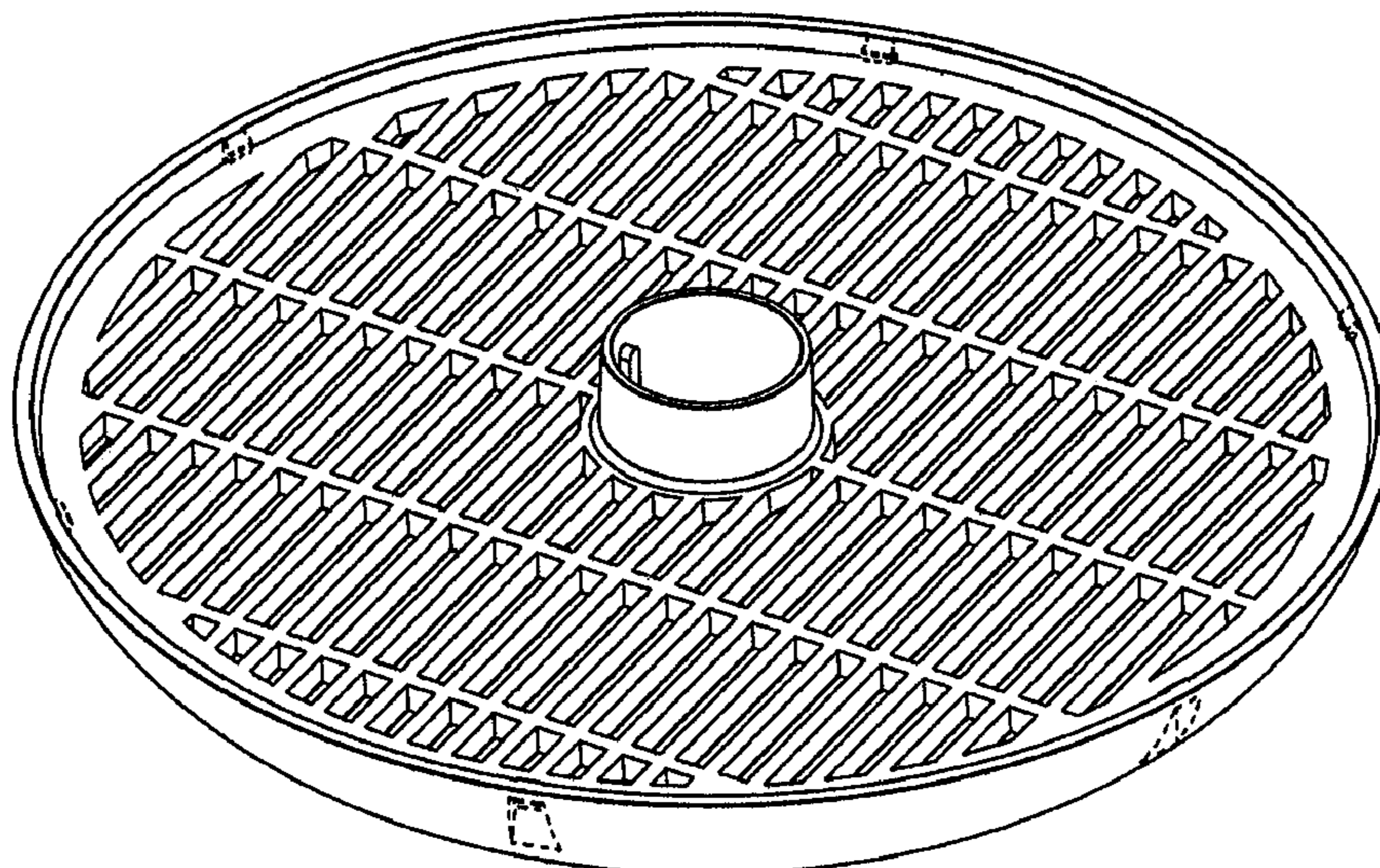
(56) **References Cited**

U.S. PATENT DOCUMENTS

2,204,158 A * 6/1940 Serio A47J 31/053 99/310
5,378,370 A 1/1995 Brane et al.
D372,079 S * 7/1996 Fago D23/209
7,100,262 B2 9/2006 Carter
7,354,495 B2 4/2008 Carter et al.
7,407,062 B2 8/2008 Carter
D591,823 S 5/2009 Stolarik et al.

(Continued)

1 Claim, 3 Drawing Sheets



(56)

References Cited

U.S. PATENT DOCUMENTS

D625,772	S *	10/2010	Olson	D23/207
7,810,670	B2	10/2010	Carter et al.		
7,901,576	B2	3/2011	Stolarik et al.		
7,963,400	B2	6/2011	Stolarik et al.		
8,110,103	B2	2/2012	Mormino et al.		
D666,272	S *	8/2012	Shi	D23/207
D669,155	S *	10/2012	Bryan	D23/209
D674,464	S *	1/2013	Wilder	D23/209
8,382,994	B2	2/2013	Stolarik et al.		
D712,508	S *	9/2014	Du	A47J 31/053 D23/209
9,180,391	B2	11/2015	Horner et al.		
9,815,010	B2	11/2017	Horner et al.		
2005/0006393	A1	1/2005	Carter		
2006/0060289	A1	3/2006	Carter et al.		
2006/0289546	A1	12/2006	Carter		
2008/0149636	A1	6/2008	Carter et al.		
2009/0039009	A1	2/2009	Stolarik et al.		
2013/0062266	A1	3/2013	Horner et al.		
2017/0319992	A1	11/2017	Horner et al.		

OTHER PUBLICATIONS

Alan Turing; "A Membrane That Can Remove Salts From Water More Efficiently"; Science and Technology, May 3, 2018.

* cited by examiner

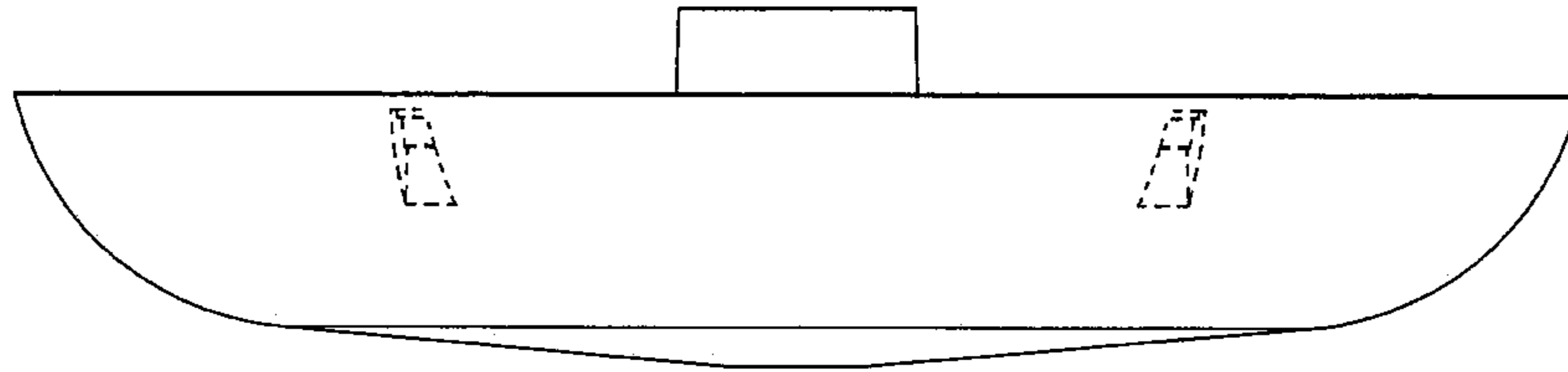


FIG. 1

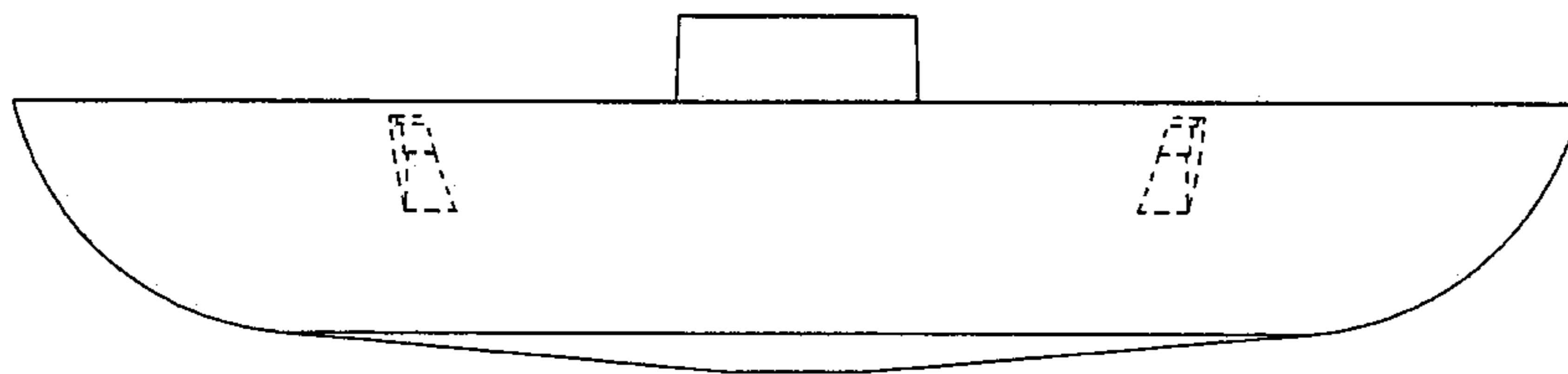


FIG. 2

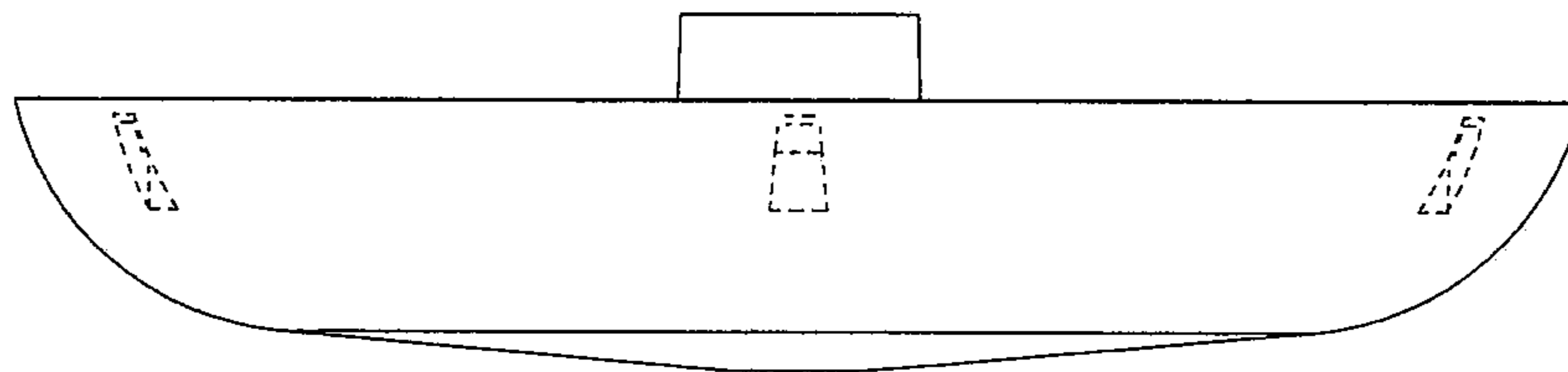


FIG. 3

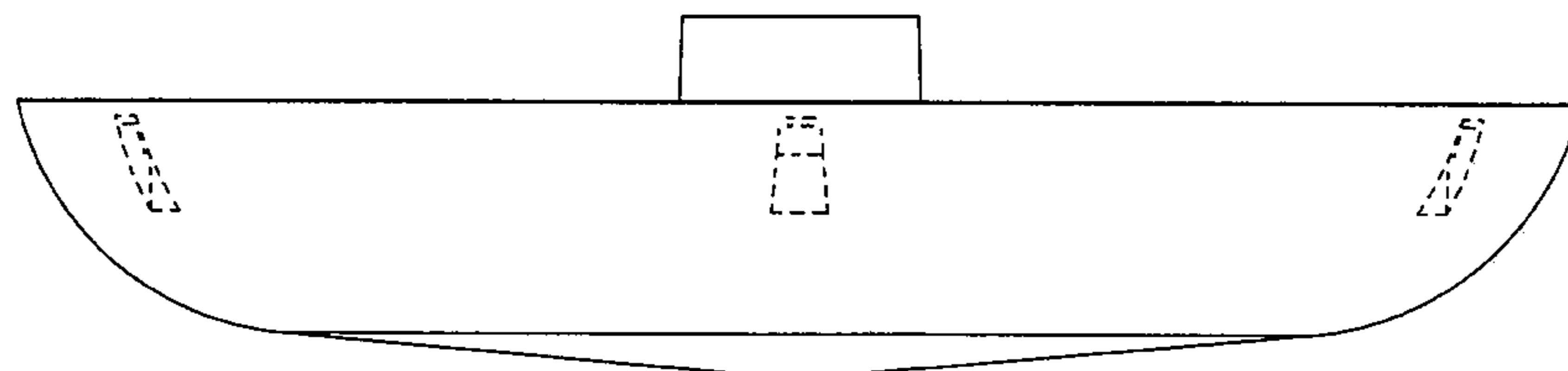


FIG. 4

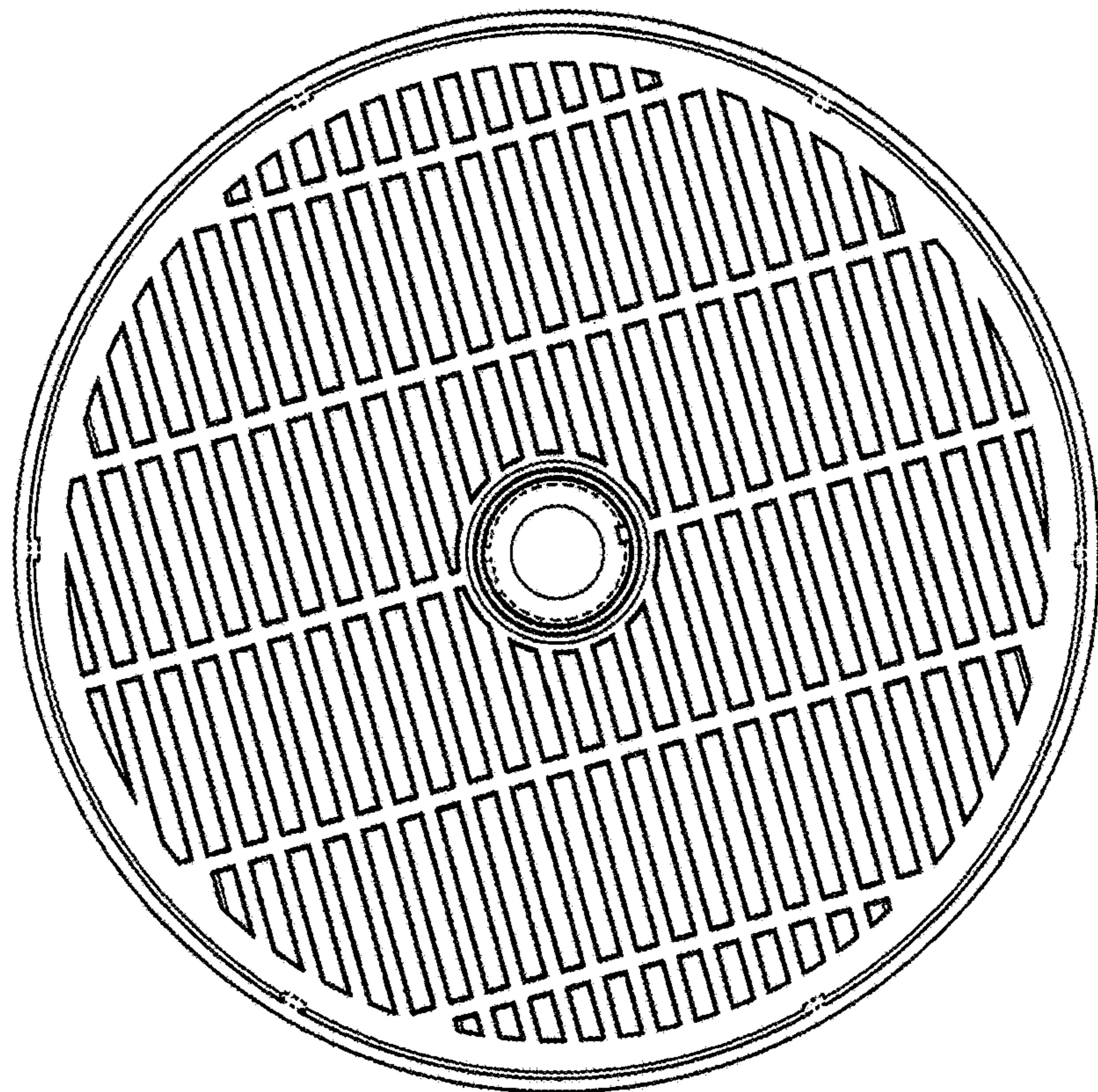


FIG. 5

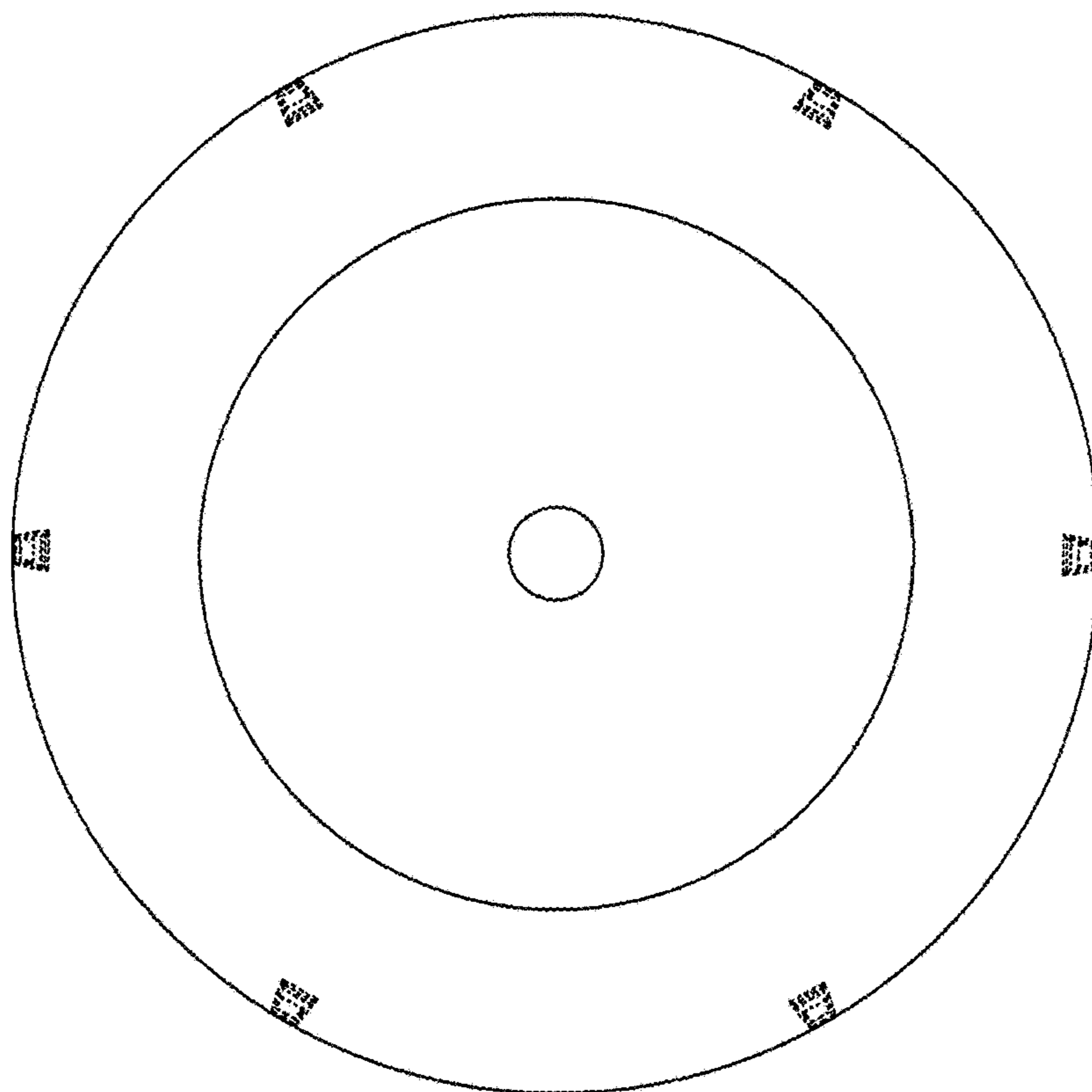


FIG. 6

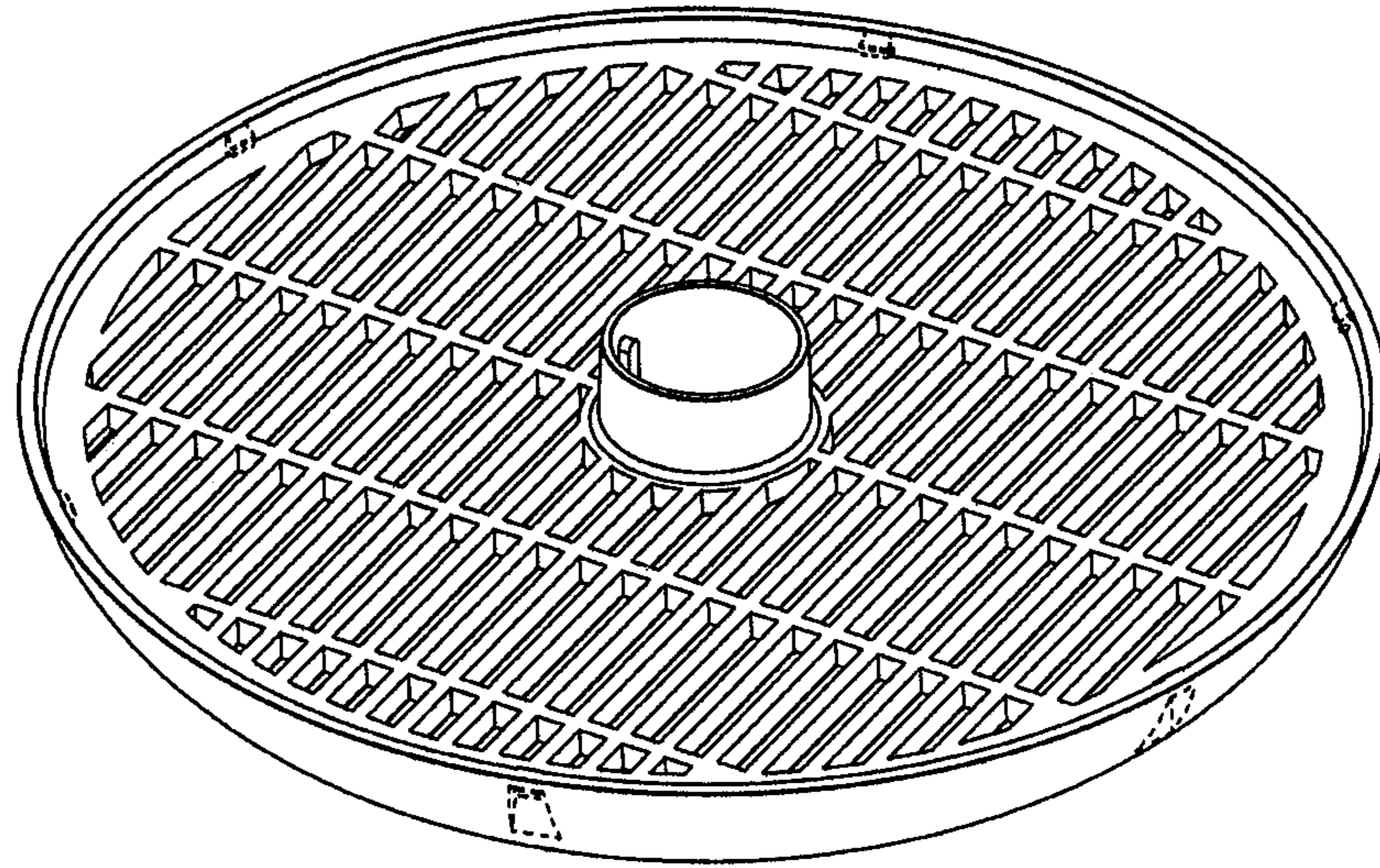


FIG. 7

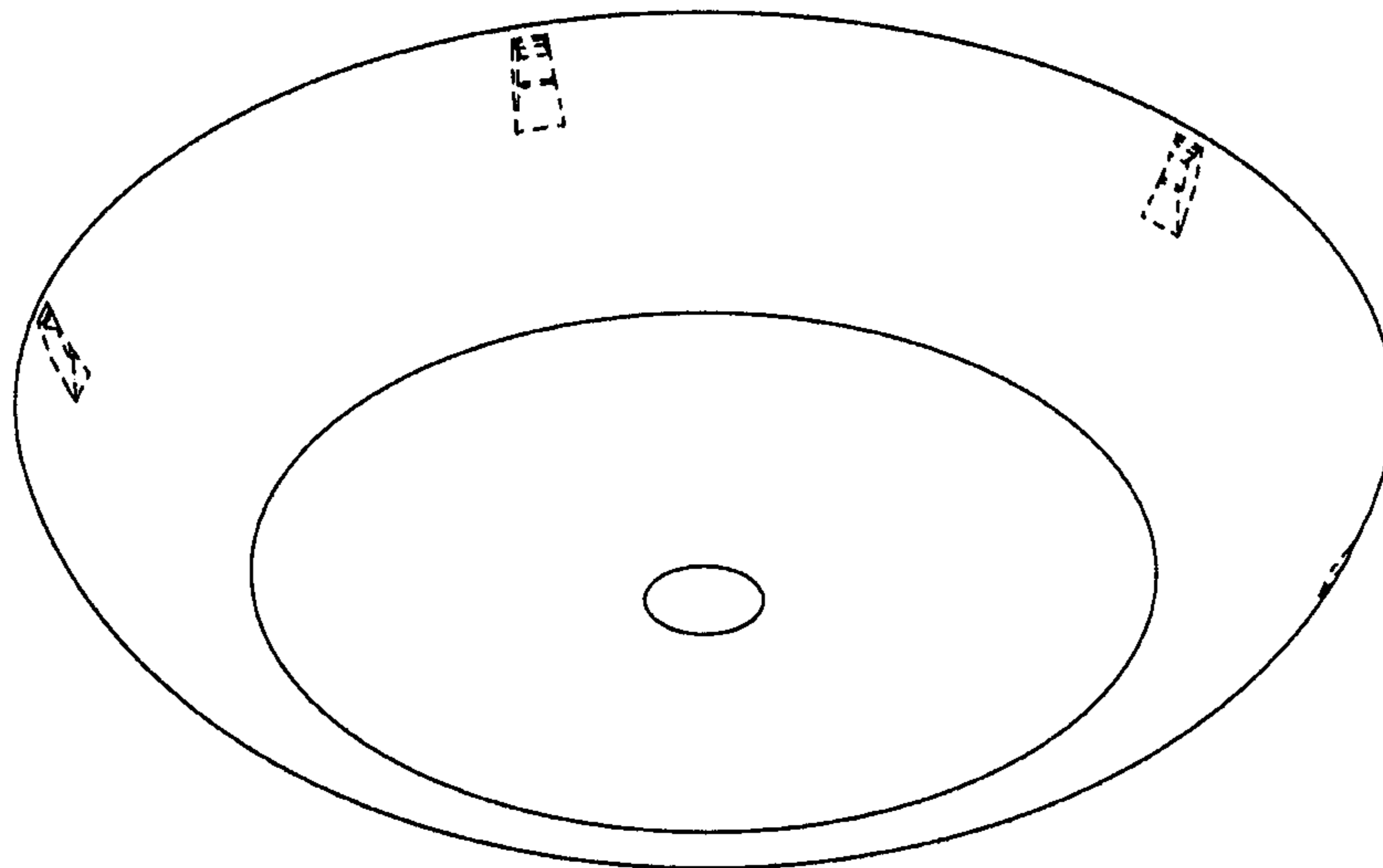


FIG. 8