



US00D889594S

(12) **United States Design Patent** (10) **Patent No.:** **US D889,594 S**
Fangman et al. (45) **Date of Patent:** **** Jul. 7, 2020**

(54) **DISTRIBUTOR PLATE**

OTHER PUBLICATIONS

(71) Applicant: **Ecowater Systems LLC**, Woodbury, MN (US)

Zhe Tan, Shengfu Chen, Xinsheng Peng, Lin Zhang, Congjie Gao; "Polyamide Membranes With Nanoscale Turing Structures for Water Purification"; Science 360, p. 518-521 (2018), May 4, 2018.

(72) Inventors: **Christopher James Fangman**, Red Wing, MN (US); **George L. Dimotsis**, Woodbury, MN (US); **Mark Joseph Sowada**, Plymouth, MN (US); **Malcolm Kahn**, Franklin Lakes, NJ (US)

(Continued)

Primary Examiner — Sheryl Lane
Assistant Examiner — Calvin E Vansant

(73) Assignee: **Ecowater Systems LLC**, Woodbury, MN (US)

(74) *Attorney, Agent, or Firm* — DeLio Peterson & Curcio LLC; Robert Curcio

(**) Term: **15 Years**

(57) **CLAIM**

The ornamental design for a "distributor plate," as shown and described.

(21) Appl. No.: **29/668,916**

DESCRIPTION

(22) Filed: **Nov. 2, 2018**

(51) **LOC (12) Cl.** **23-01**

(52) **U.S. Cl.**
USPC **D23/207**

(58) **Field of Classification Search**
USPC D23/202, 203, 205, 206, 207, 209, 233, D23/235, 336, 365, 366
CPC B01D 2201/29; B01D 2201/30; B01D 2201/301; B01D 2201/302; B01D 2201/306; B01D 2201/309; B01D 35/30; F17C 1/14; F17C 1/16
See application file for complete search history.

FIG. 1 is a front elevational view of the "distributor plate" design according to our invention; FIG. 2 is a back elevational view of the "distributor plate" shown in FIG. 1; FIG. 3 is a right elevational view of the "distributor plate" shown in FIG. 1; FIG. 4 is a left elevational view of the "distributor plate" shown in FIG. 1; FIG. 5 is a top view of the "distributor plate" shown in FIG. 1; FIG. 6 is a bottom view of the "distributor plate" shown in FIG. 1; FIG. 7 is a top perspective view of the "distributor plate" shown in FIG. 1; FIG. 8 is a bottom perspective view of the "distributor plate" shown in FIG. 1; FIG. 9 is a side perspective cross sectional view of the "distributor plate" shown in FIG. 1; FIG. 10 is a top front perspective view of the "distributor plate" shown in FIG. 1; and, FIG. 11 is the enlarged area of the "distributor plate" shown in FIG. 10.

(56) **References Cited**

U.S. PATENT DOCUMENTS

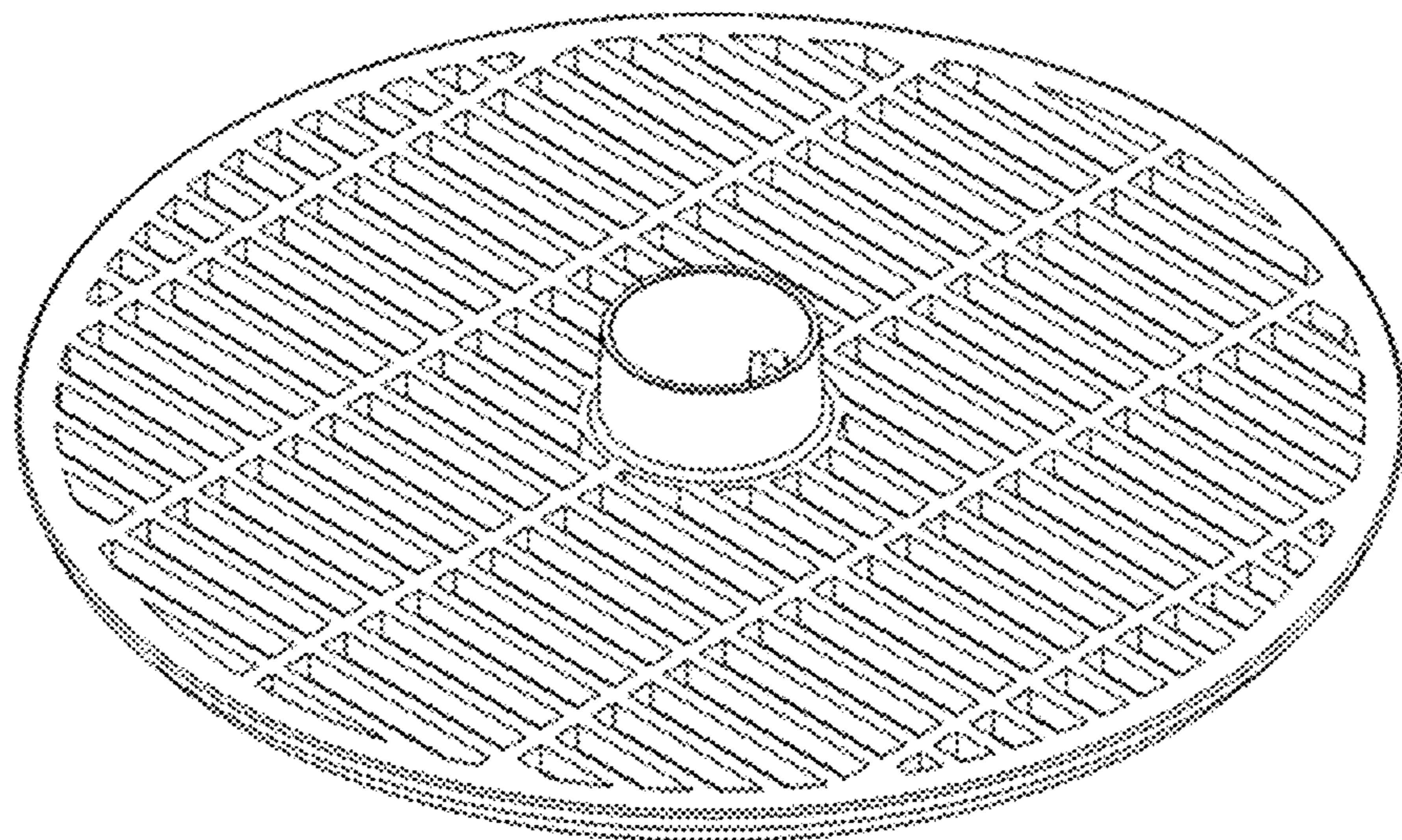
5,378,370 A 1/1995 Brane et al.
D430,262 S * 8/2000 Morrison D23/202
(Continued)

FOREIGN PATENT DOCUMENTS

EP 1601902 A2 12/2005
EP 1434962 A4 11/2010

In the drawings, the dot-dashed lines represent unclaimed boundaries and form no part of the claim.

1 Claim, 4 Drawing Sheets



(56)

References Cited

U.S. PATENT DOCUMENTS

D463,541 S * 9/2002 Thomas D23/365
 7,100,262 B2 9/2006 Carter
 7,354,495 B2 4/2008 Carter et al.
 7,407,062 B2 8/2008 Carter
 D591,823 S * 5/2009 Stolarik D23/207
 D598,529 S * 8/2009 Mah D23/366
 D625,772 S * 10/2010 Olson D23/207
 7,810,670 B2 10/2010 Carter et al.
 7,901,576 B2 3/2011 Stolarik et al.
 7,963,400 B2 6/2011 Stolarik et al.
 8,110,103 B2 2/2012 Mormino et al.
 D669,155 S * 10/2012 Bryan D23/209
 D674,463 S * 1/2013 Wilder D23/209
 8,382,994 B2 2/2013 Stolarik et al.
 D717,395 S * 11/2014 Neto F17C 1/16
 D738,999 S * 9/2015 Funnell, II F17C 1/16
 D23/365

9,180,391 B2 11/2015 Horner et al.
 9,815,010 B2 11/2017 Horner et al.
 2005/0006393 A1 1/2005 Carter
 2006/0060289 A1 3/2006 Carter et al.
 2006/0289546 A1 12/2006 Carter
 2008/0149636 A1 6/2008 Carter et al.
 2009/0039009 A1 * 2/2009 Stolarik F17C 1/16
 210/284
 2010/0101658 A1 * 4/2010 Stolarik F17C 1/16
 137/15.01
 2013/0062266 A1 3/2013 Horner et al.
 2017/0319992 A1 11/2017 Horner et al.

OTHER PUBLICATIONS

Alan Turing; "A Membrane That Can Remove Salts From Water More Efficiently"; Science and Techonology, May 3, 2018.

* cited by examiner

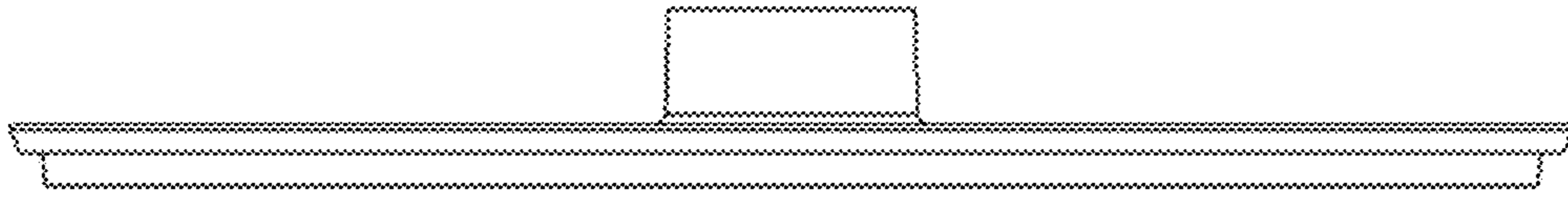


FIG. 1

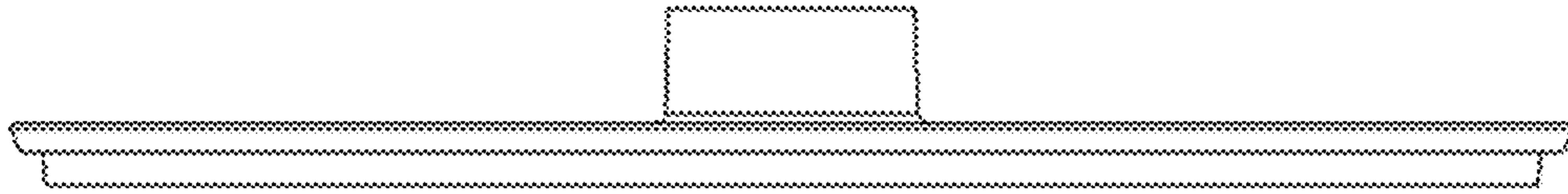


FIG. 2

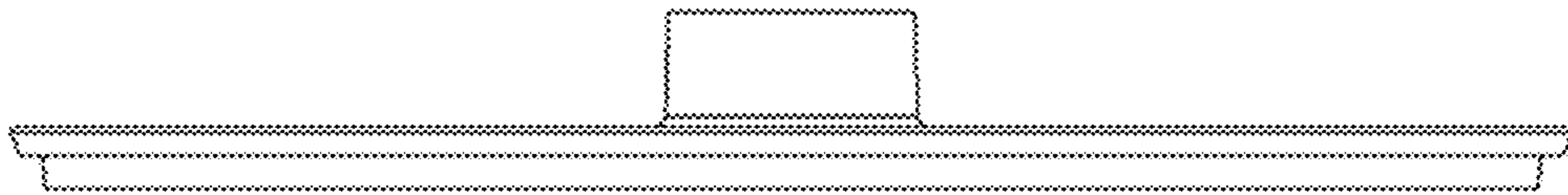


FIG. 3

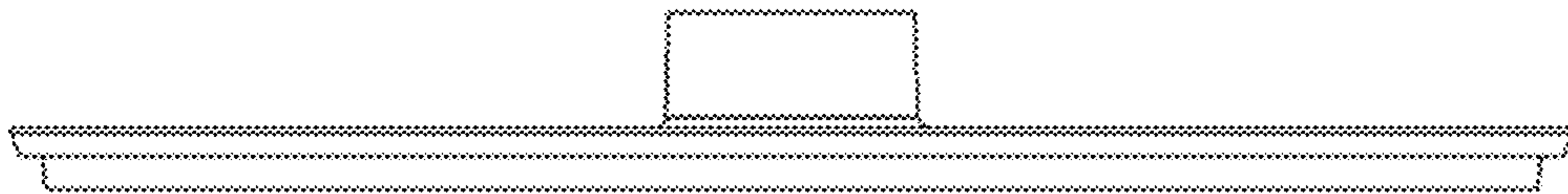


FIG. 4

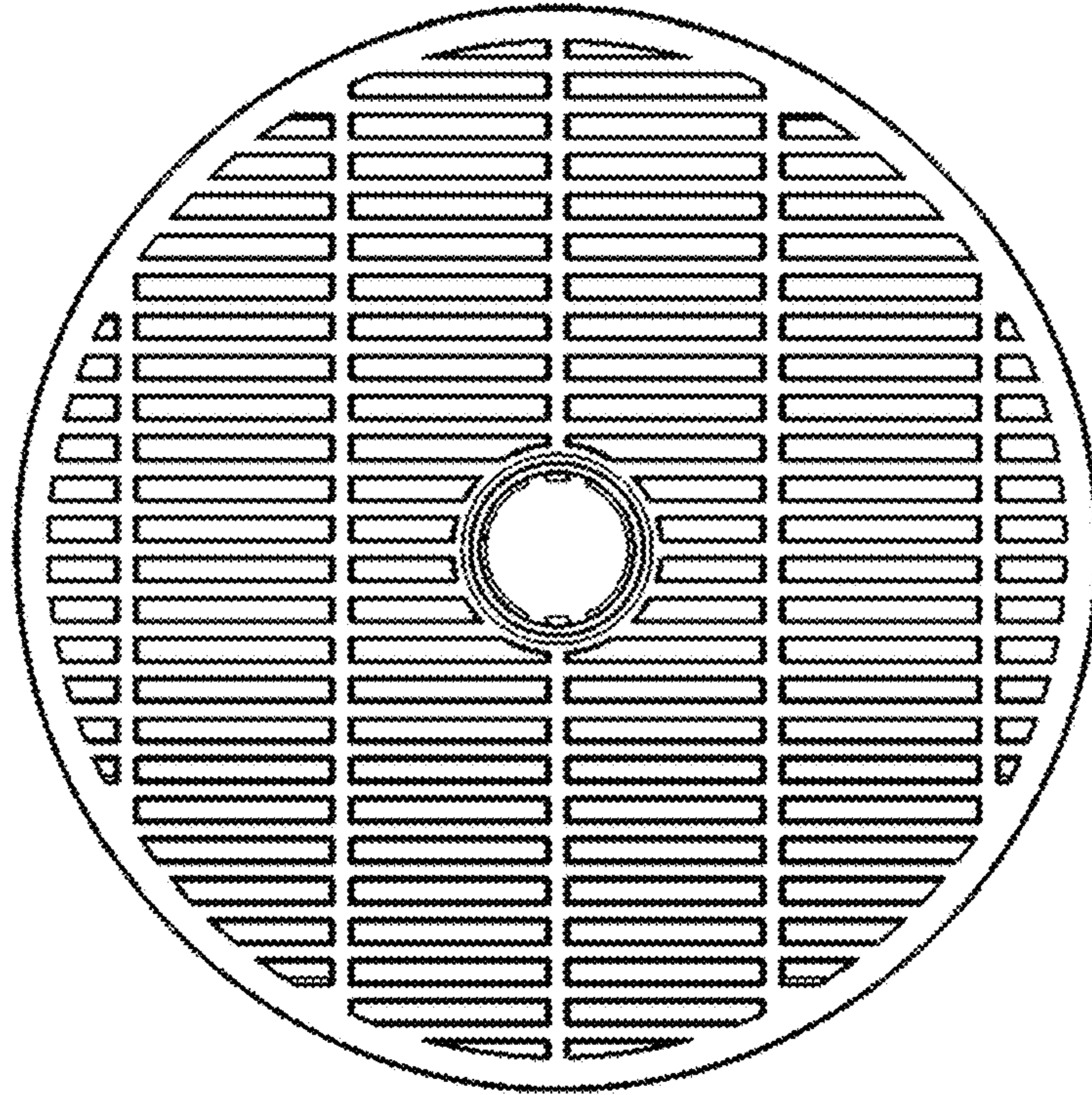


FIG. 5

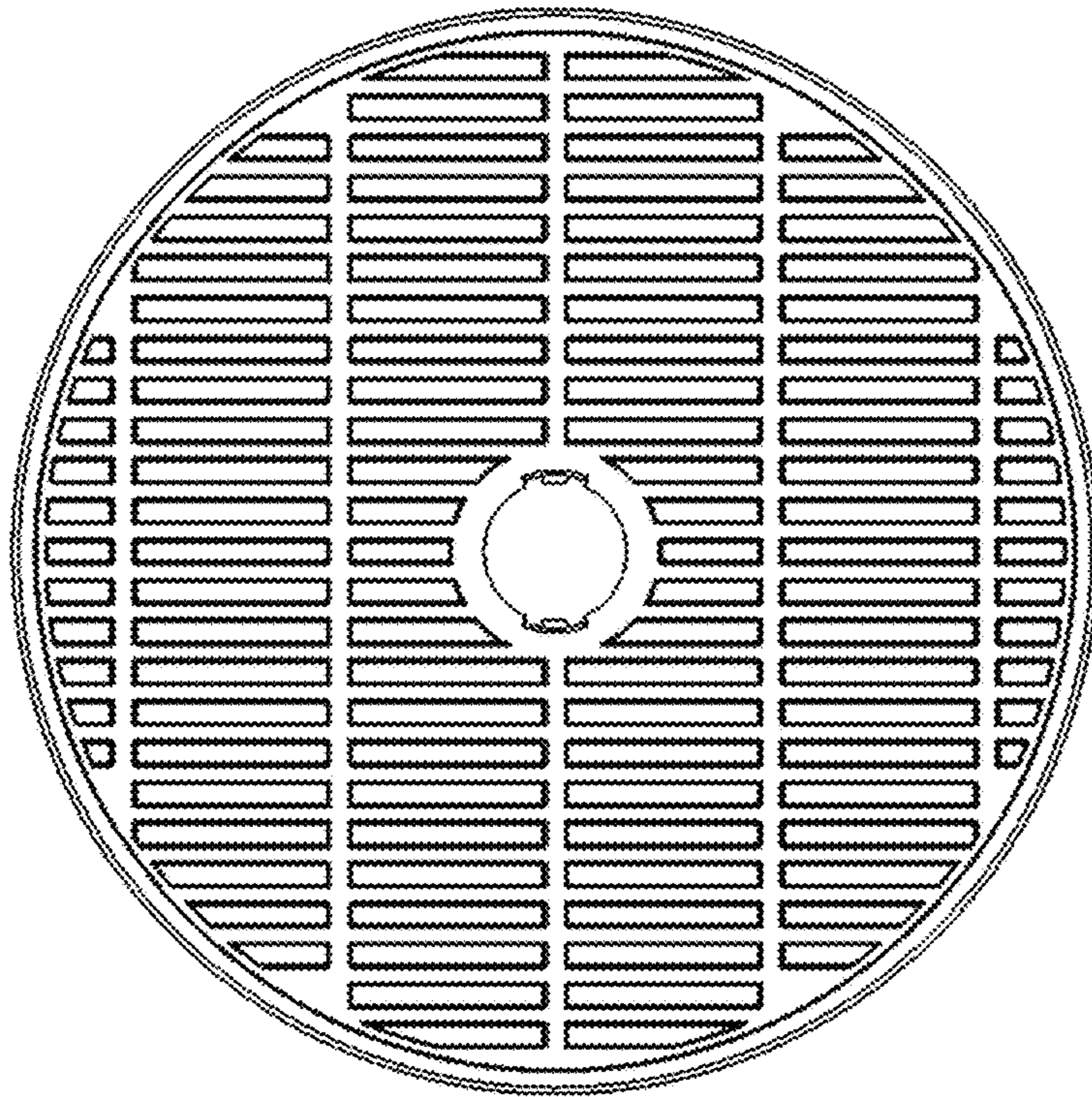


FIG. 6

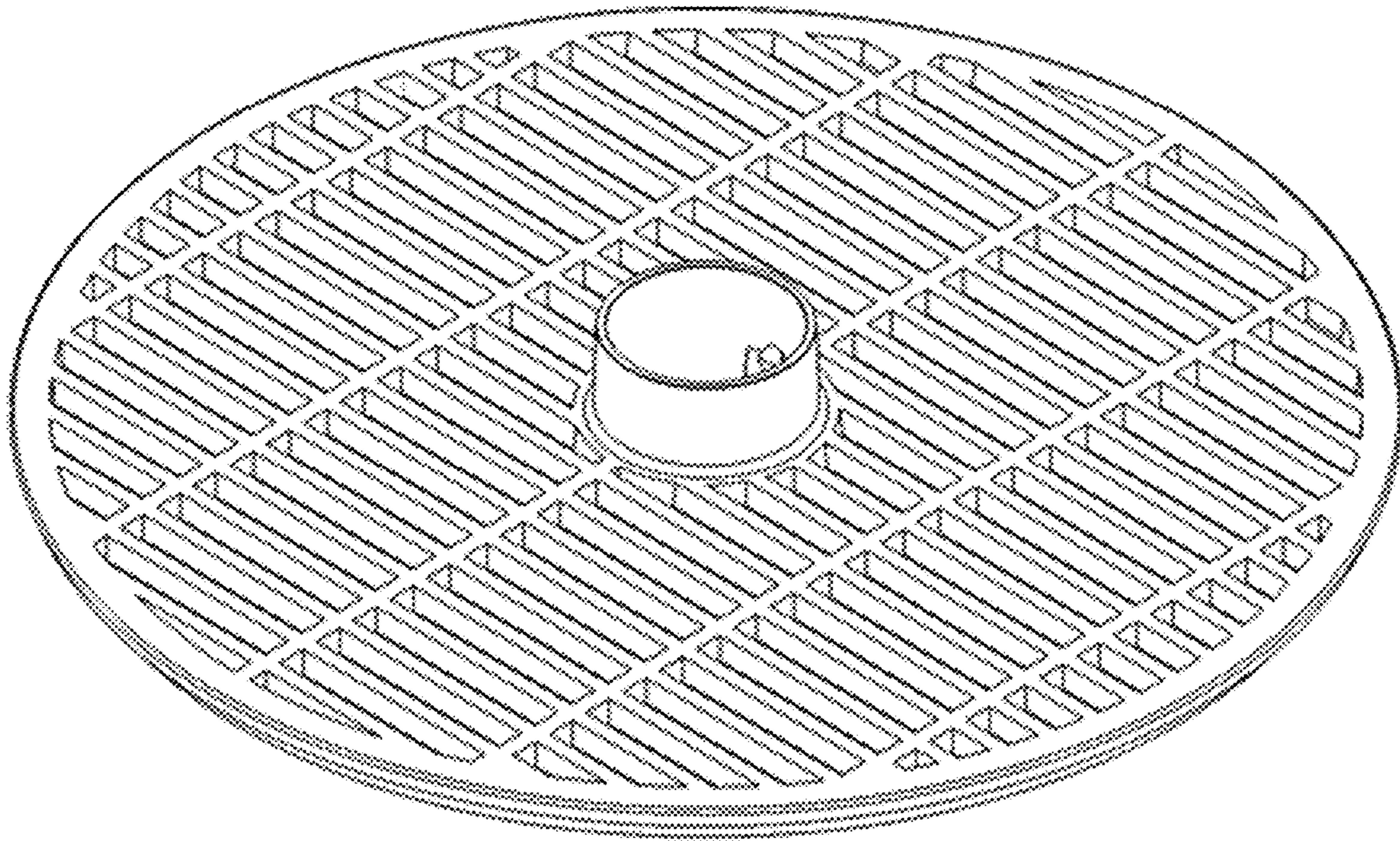


FIG. 7

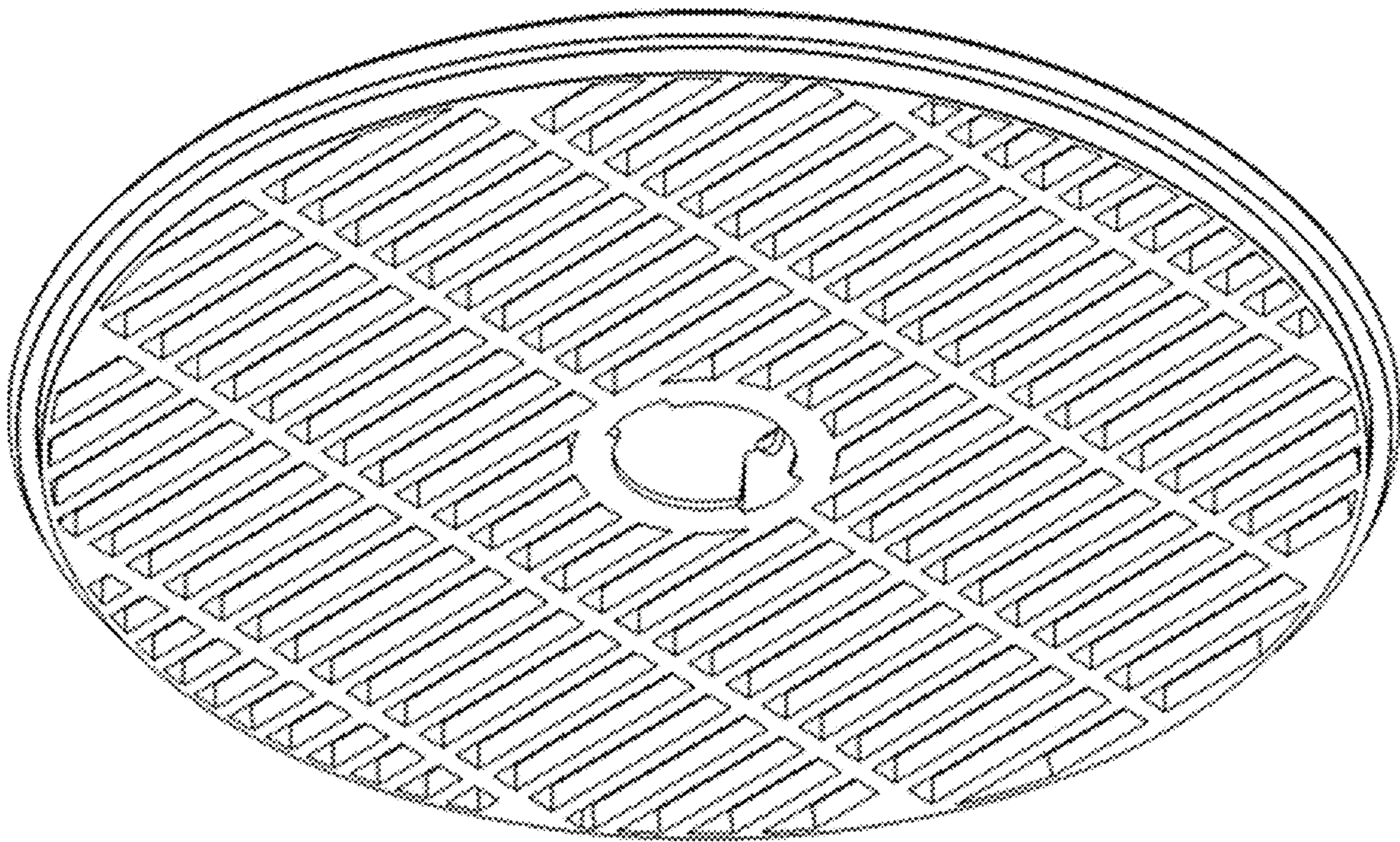


FIG. 8

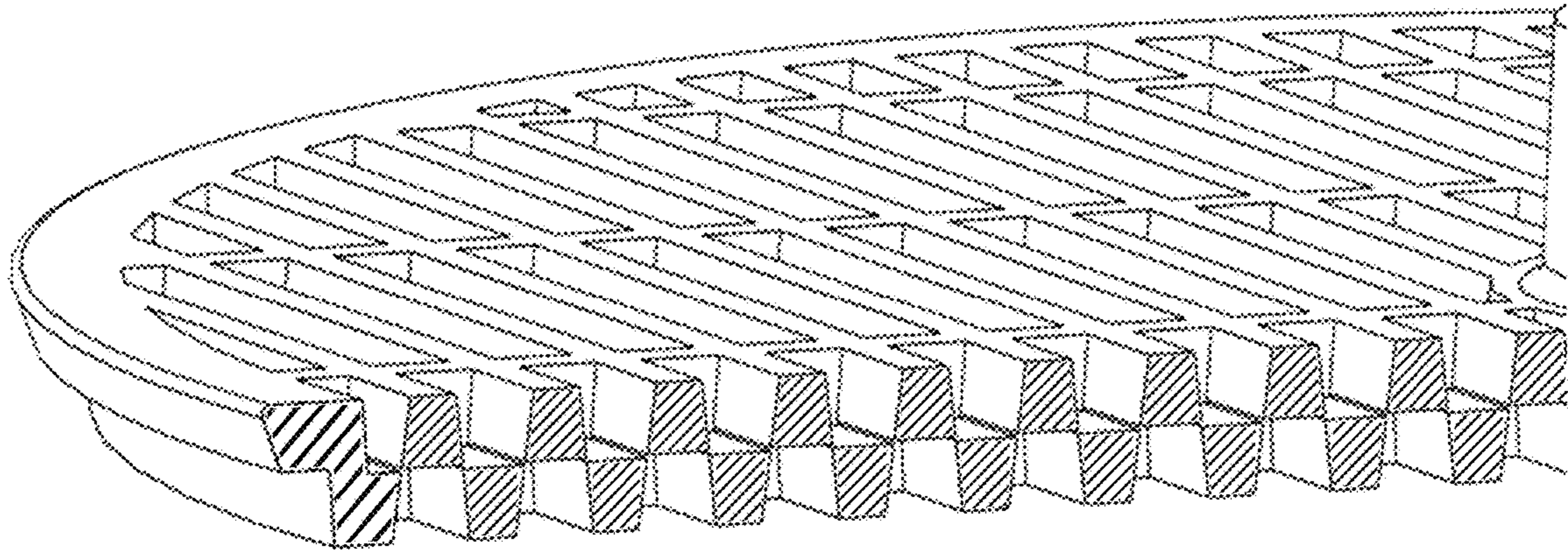
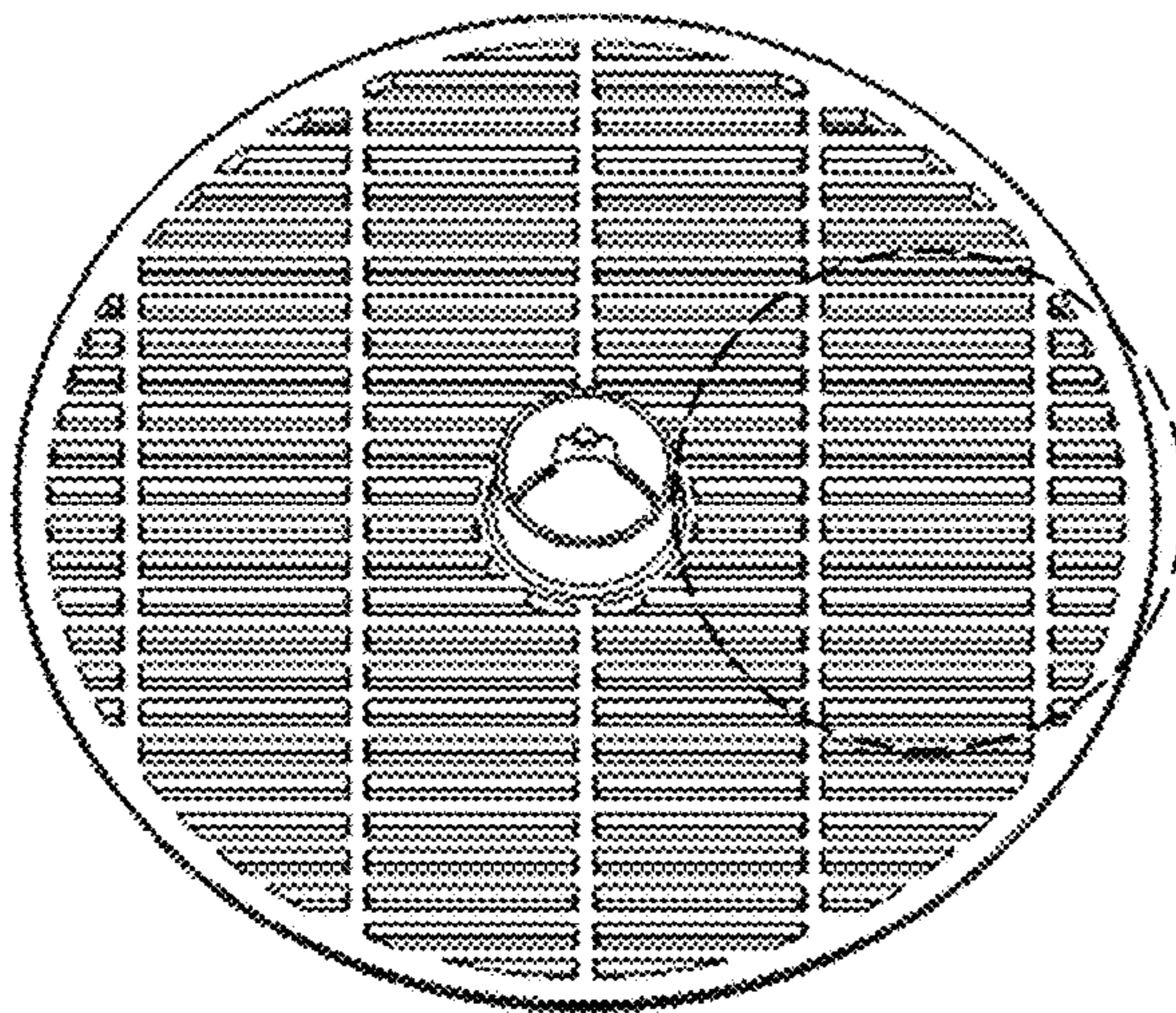


FIG. 9



9

FIG. 10

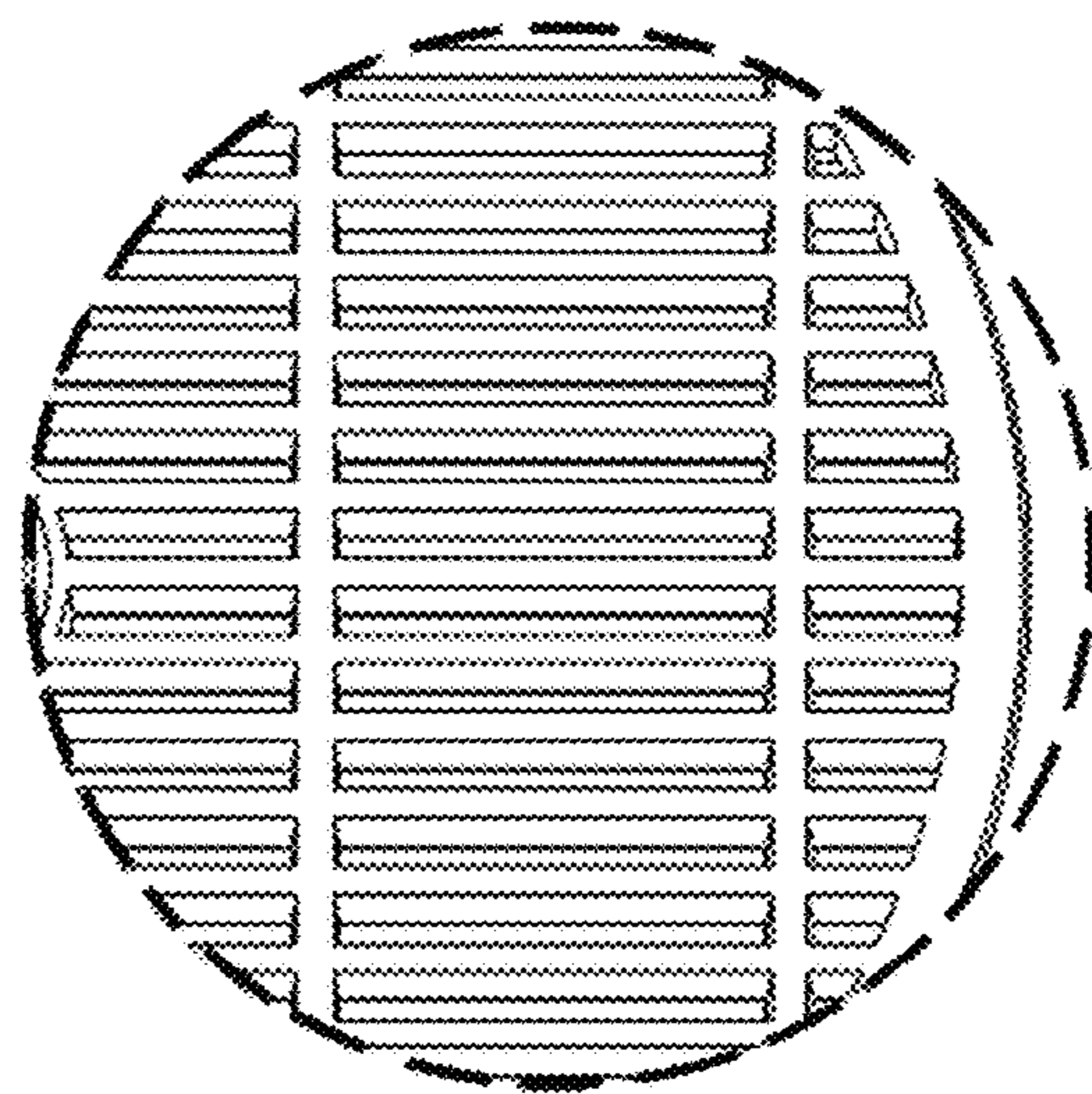


FIG. 11