



US00D889593S

(12) **United States Design Patent**
Nakano

(10) **Patent No.:** **US D889,593 S**

(45) **Date of Patent:** **** Jul. 7, 2020**

(54) **ULTRASONIC TRANSDUCER**

(71) Applicant: **KAIJO CORPORATION**, Tokyo (JP)

(72) Inventor: **Akihisa Nakano**, Tokyo (JP)

(73) Assignee: **KAIJO CORPORATION**, Tokyo (JP)

(**) Term: **15 Years**

(21) Appl. No.: **29/650,549**

(22) Filed: **Jun. 7, 2018**

(30) **Foreign Application Priority Data**

Dec. 18, 2017 (JP) 2017-028137

(51) **LOC (12) Cl.** **23-01**

(52) **U.S. Cl.**
USPC **D23/207**

(58) **Field of Classification Search**
USPC D23/207, 208, 210; D13/101, 199;
D1/127; D24/101, 102, 103, 104;
D10/104.1
CPC ... C11D 9/08; C11D 17/0056; C11D 17/0073;
C11D 17/0095; C02F 1/36
See application file for complete search history.

(56) **References Cited**

U.S. PATENT DOCUMENTS

D234,125 S * 1/1975 Goble et al. D10/104.1
D242,779 S * 12/1976 Goble D10/106.6
4,616,440 A * 10/1986 Millroy A01K 85/12
43/42.06

D334,968 S * 4/1993 Gladfelter D23/207
D352,988 S * 11/1994 Jan D22/119
D409,626 S * 5/1999 Hansen D15/5
D443,105 S * 5/2001 Friesenhahn D28/8.1
D454,232 S * 3/2002 LaVanier F23Q 25/00
D29/127
D612,478 S * 3/2010 Karolak D24/101
D650,524 S * 12/2011 Wilson D28/8.1
D696,555 S * 12/2013 Kolano D7/590
D768,922 S * 10/2016 Dietvorst D28/8.1

* cited by examiner

Primary Examiner — Derrick E Holland

(74) *Attorney, Agent, or Firm* — Rankin, Hill & Clark
LLP

(57) **CLAIM**

The ornamental design for an ultrasonic transducer, as shown and described.

DESCRIPTION

FIG. 1 is a front, top perspective view for an ultrasonic transducer showing my new design;
FIG. 2 is a front, bottom perspective view thereof;
FIG. 3 is a front elevational view thereof;
FIG. 4 is a top plan view thereof;
FIG. 5 is a bottom plan view thereof;
FIG. 6 is a cross-sectional view thereof taken along at A-A of FIG. 1; and,
FIG. 7 is a reference front, top perspective view showing an example of usage thereof.
The broken lines in the figures are for the purpose of illustrating environmental structure and form no part of the claimed design.

1 Claim, 4 Drawing Sheets

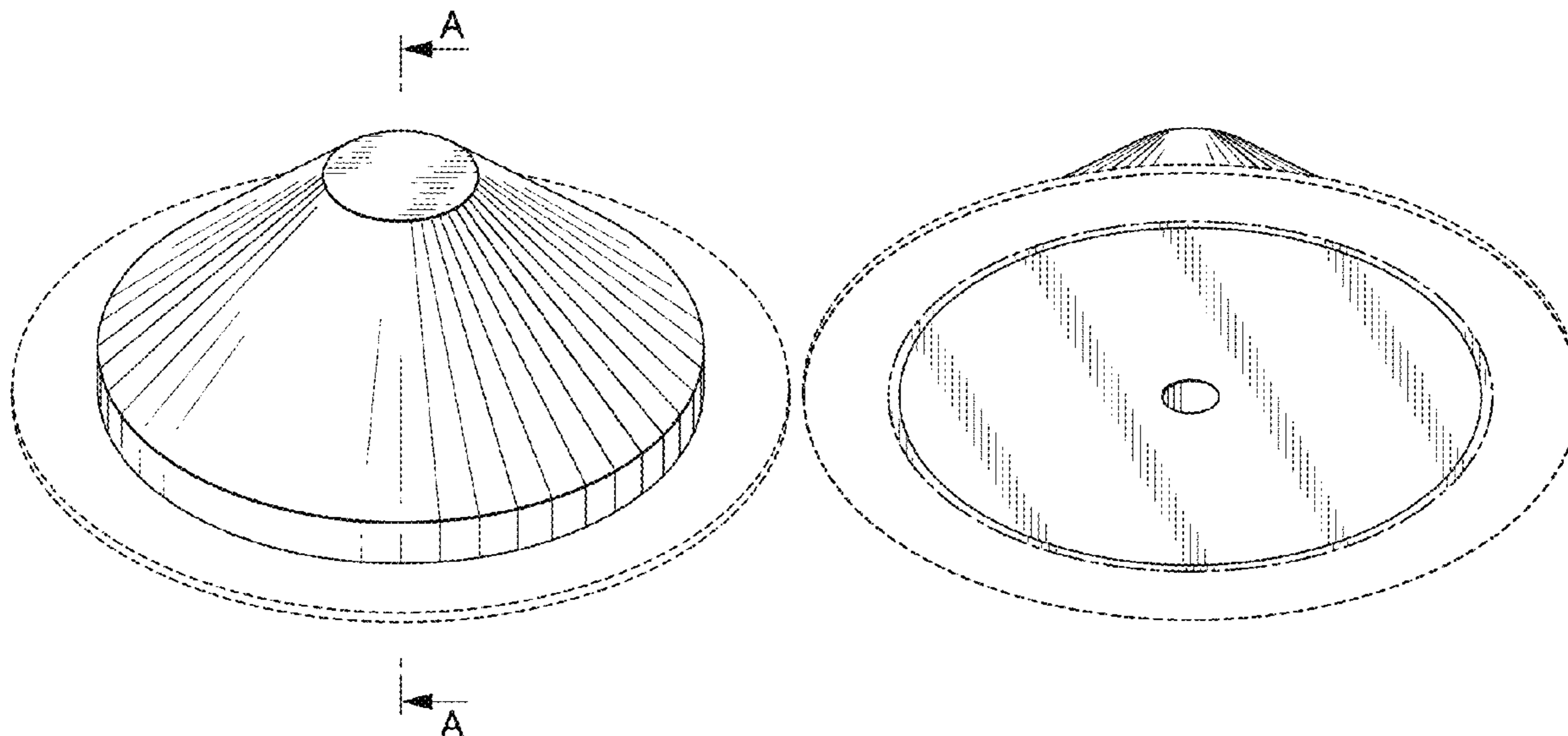


FIG. 1

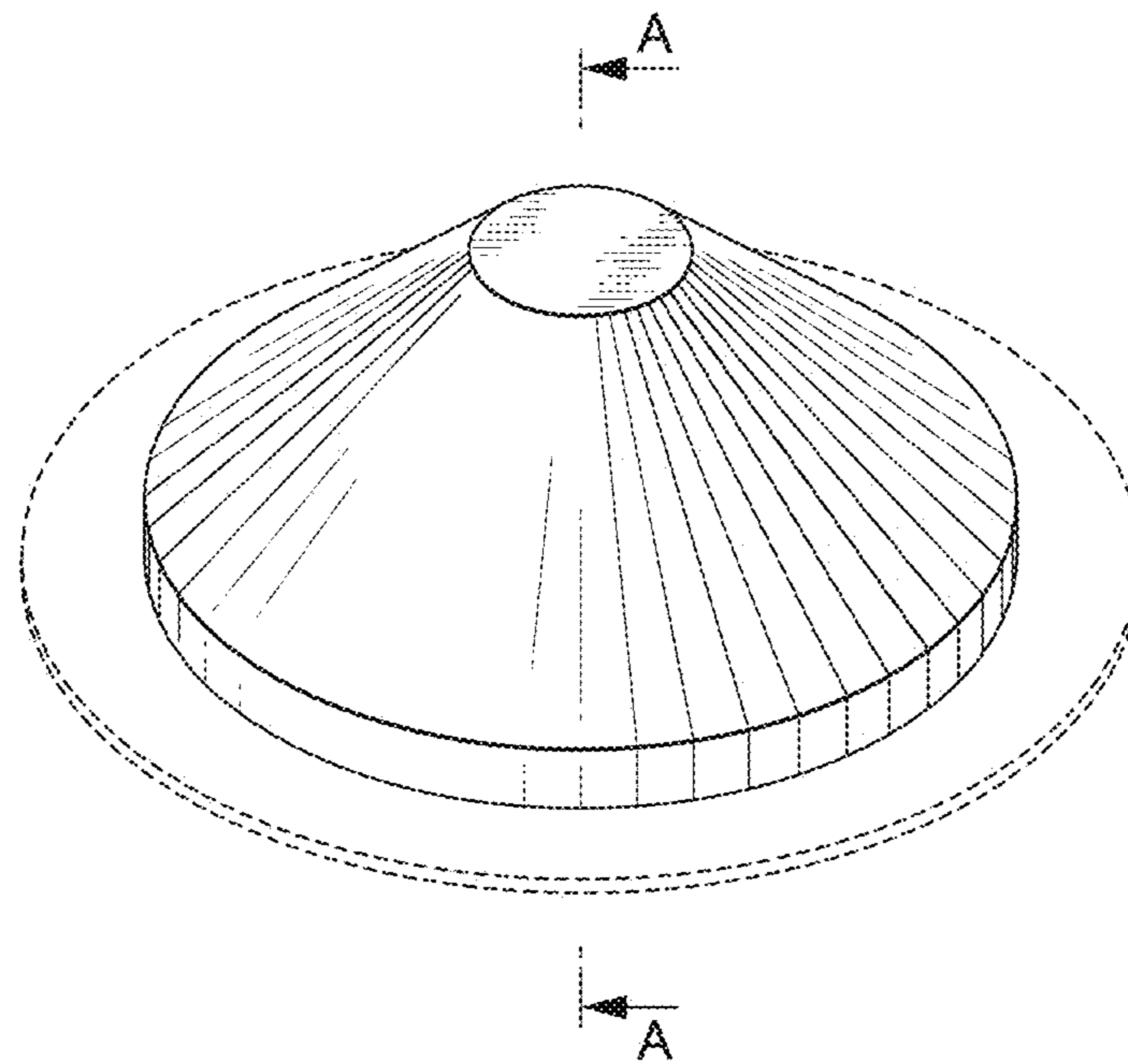


FIG. 2

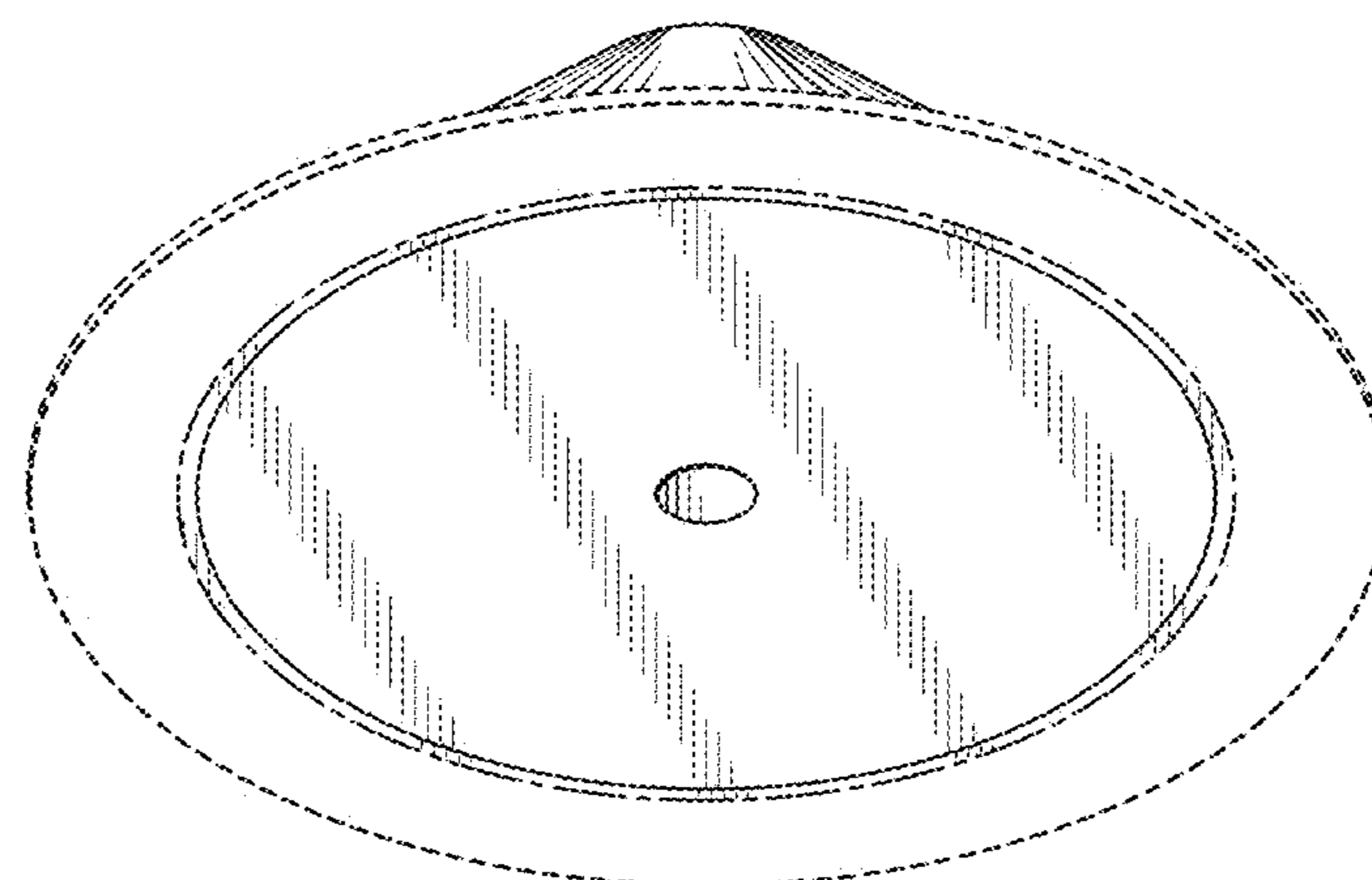


FIG. 3

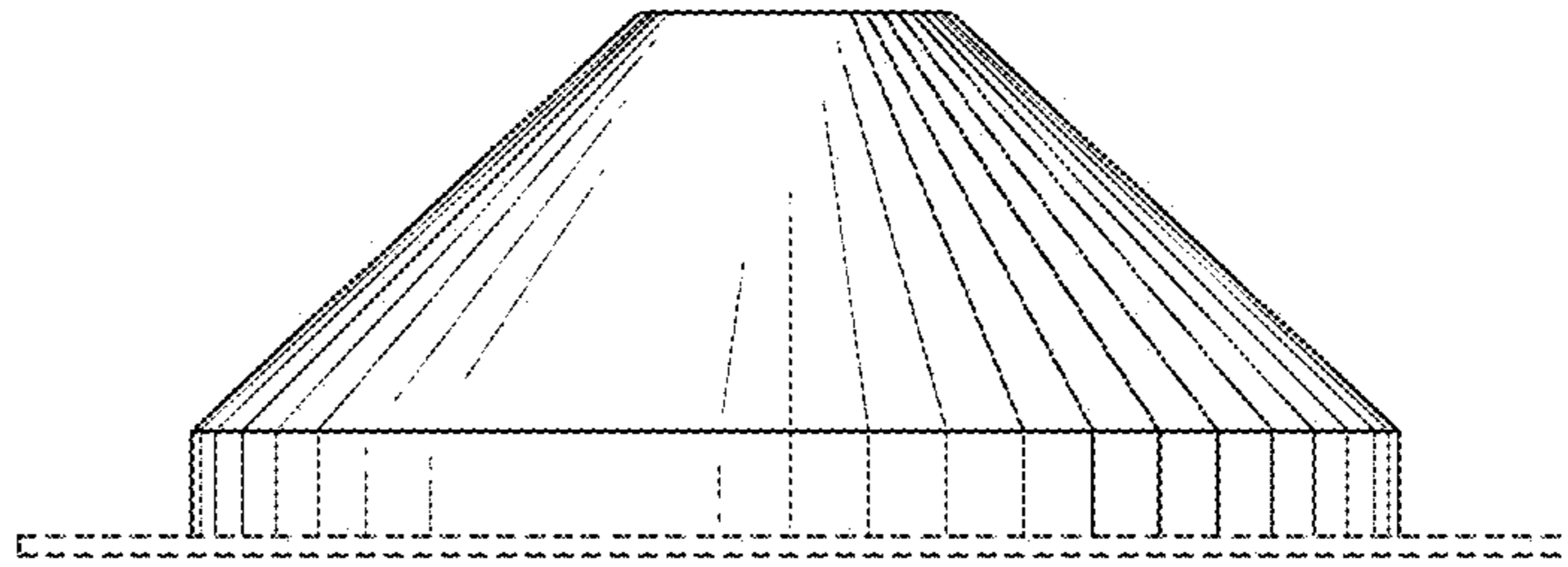


FIG. 4

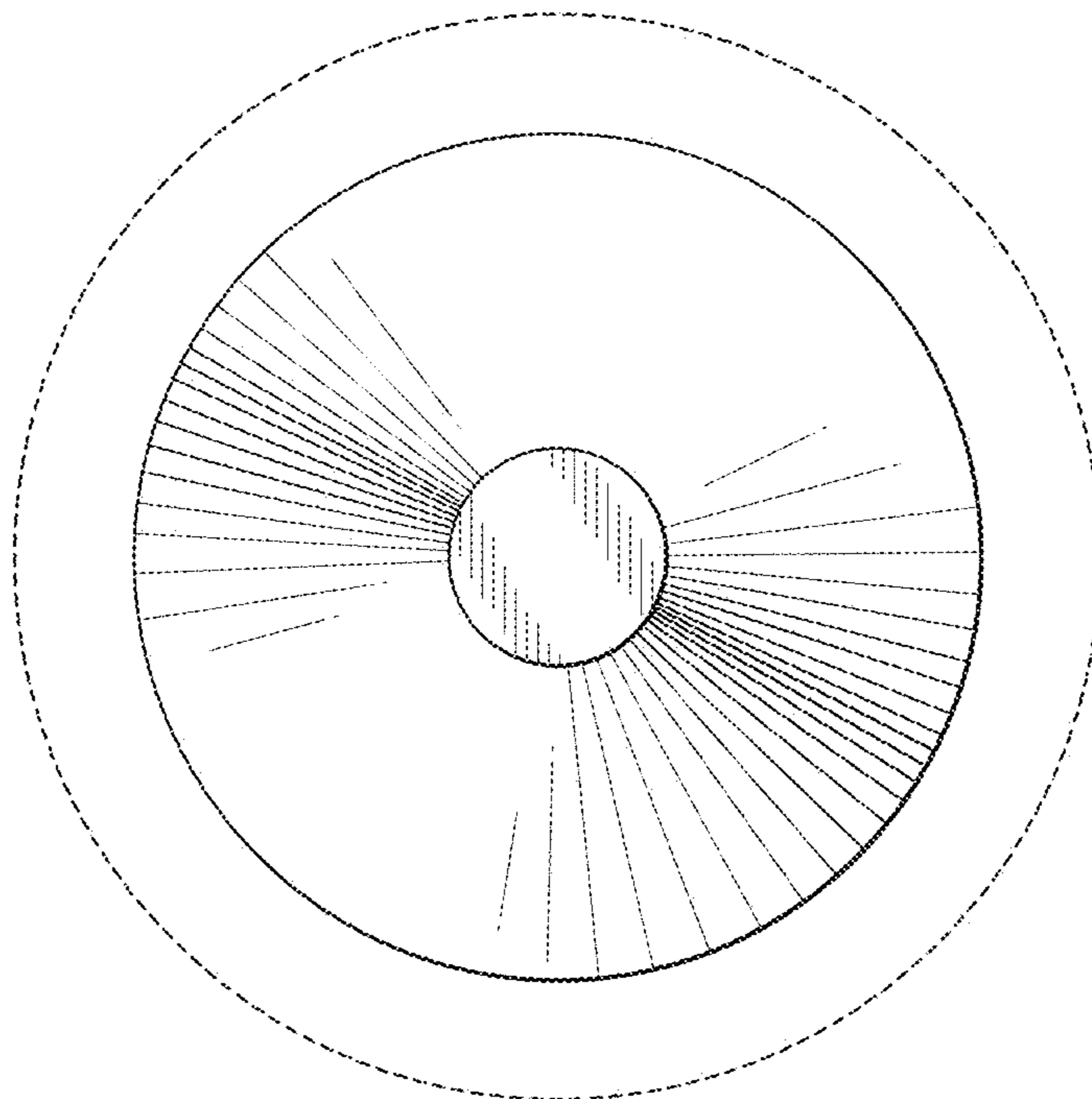


FIG. 5

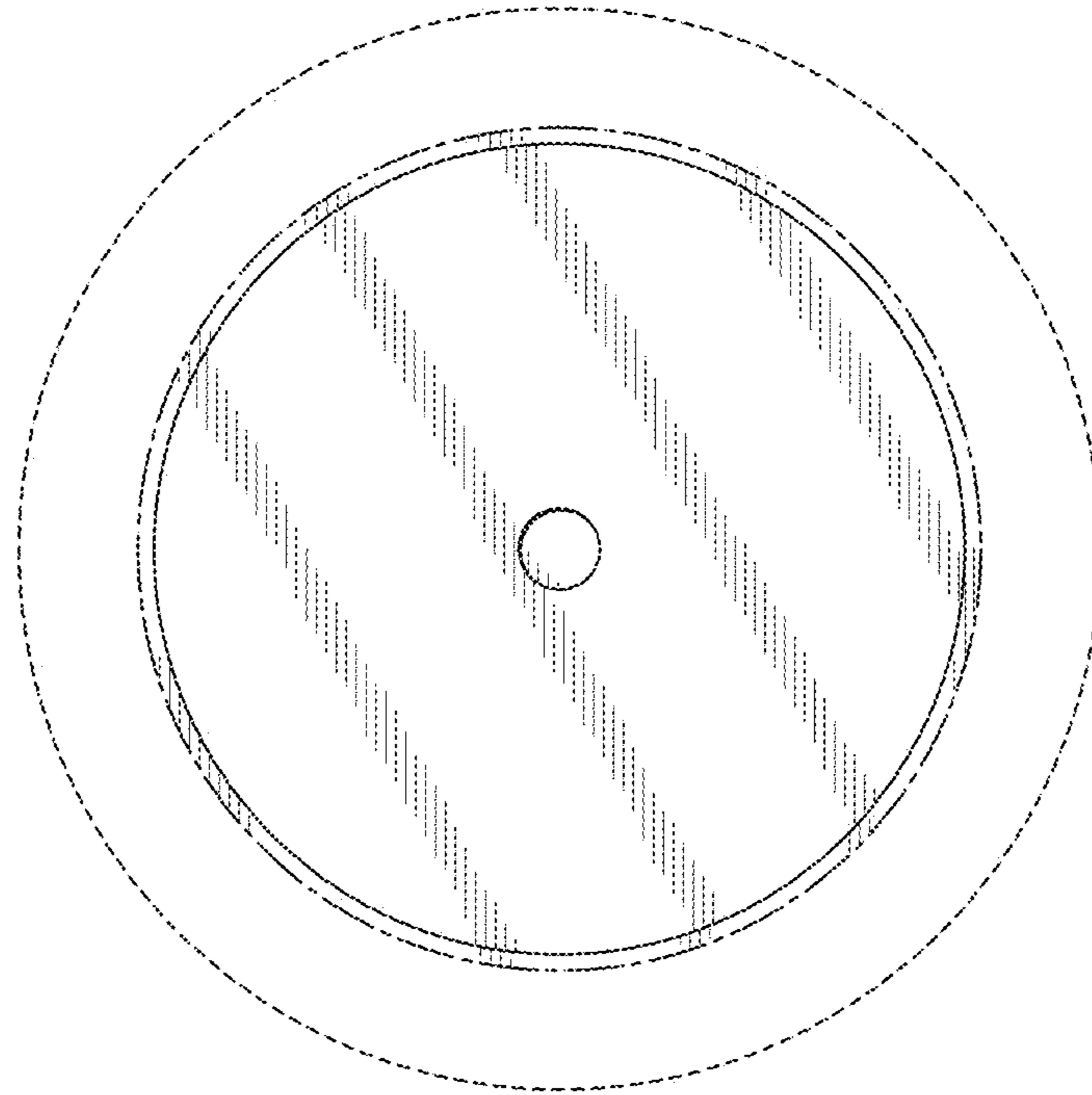


FIG. 6

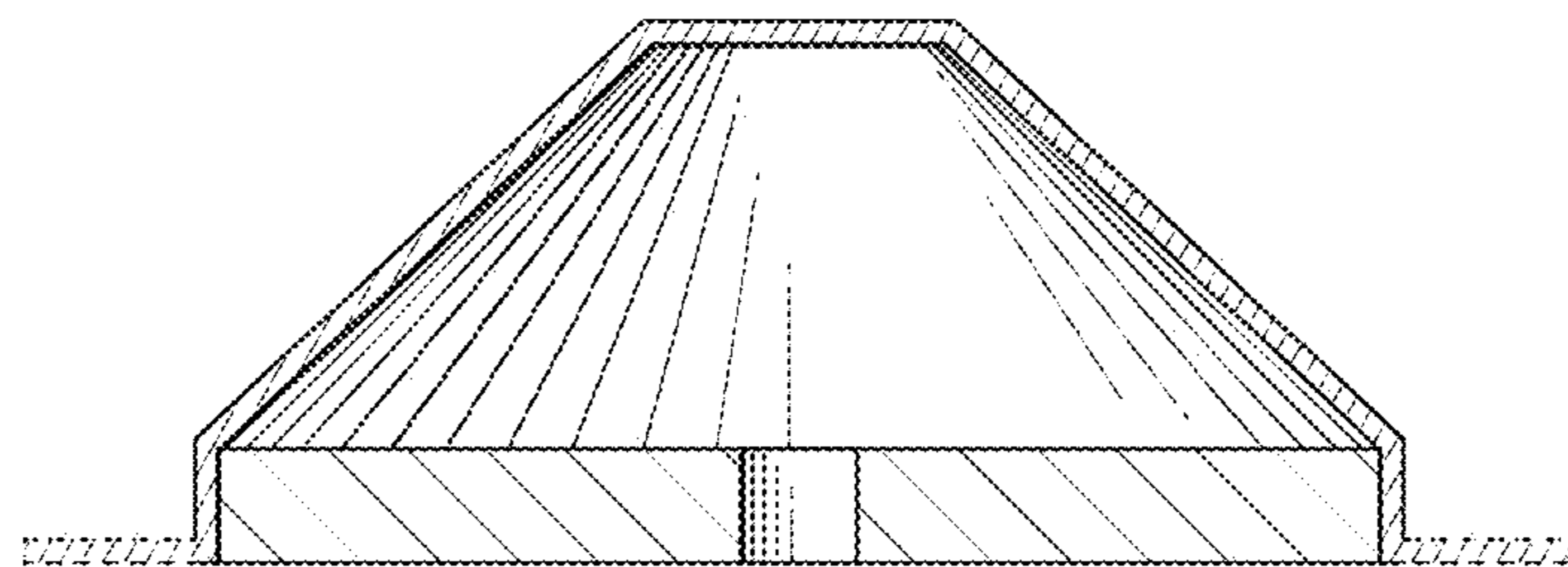


FIG. 7

