



US00D889592S

(12) **United States Design Patent**
Penrod

(10) **Patent No.:** **US D889,592 S**

(45) **Date of Patent:** **** Jul. 7, 2020**

(54) **CONTAINMENT DEVICE**

(71) Applicant: **Brett Penrod**, Benjamin, UT (US)

(72) Inventor: **Brett Penrod**, Benjamin, UT (US)

(**) Term: **15 Years**

(21) Appl. No.: **29/687,539**

(22) Filed: **Apr. 12, 2019**

(51) **LOC (12) Cl.** **22-05**

(52) **U.S. Cl.**
USPC **D22/134; D3/260; D22/139**

(58) **Field of Classification Search**
USPC D22/134, 139; D3/260; 43/25.2, 57.1,
43/54.1, 42.36; 224/666, 671, 679, 682,
224/920
CPC A01K 87/00; A01K 97/06
See application file for complete search history.

(56) **References Cited**

U.S. PATENT DOCUMENTS

4,383,385	A *	5/1983	Myers	A01K 97/06 224/920
D373,614	S *	9/1996	Bevill	D22/139
D399,912	S *	10/1998	Kopp, III	D22/126
D475,432	S *	6/2003	LaLande	D22/126
D663,378	S *	7/2012	Osman	D22/134
D709,589	S *	7/2014	Zebny	D22/134

D712,005	S *	8/2014	De Luna	D22/139
D783,120	S	4/2017	Martin et al.		
D842,963	S *	3/2019	Hedelson	D22/144
D846,692	S *	4/2019	Bryan	D22/134
2004/0250462	A1 *	12/2004	Trebil	A01K 97/06 43/25.2
2005/0155274	A1 *	7/2005	Chapel	A01K 97/06 43/54.1
2009/0094881	A1 *	4/2009	Konopa	A01K 97/06 43/57.1
2012/0102814	A1 *	5/2012	Christensen	A01K 97/06 43/25.2
2016/0037760	A1 *	2/2016	Melvin	A01K 97/06 43/25.2

* cited by examiner

Primary Examiner — Catherine R Oliver-Garcia

(74) *Attorney, Agent, or Firm* — Amy Fiene PC

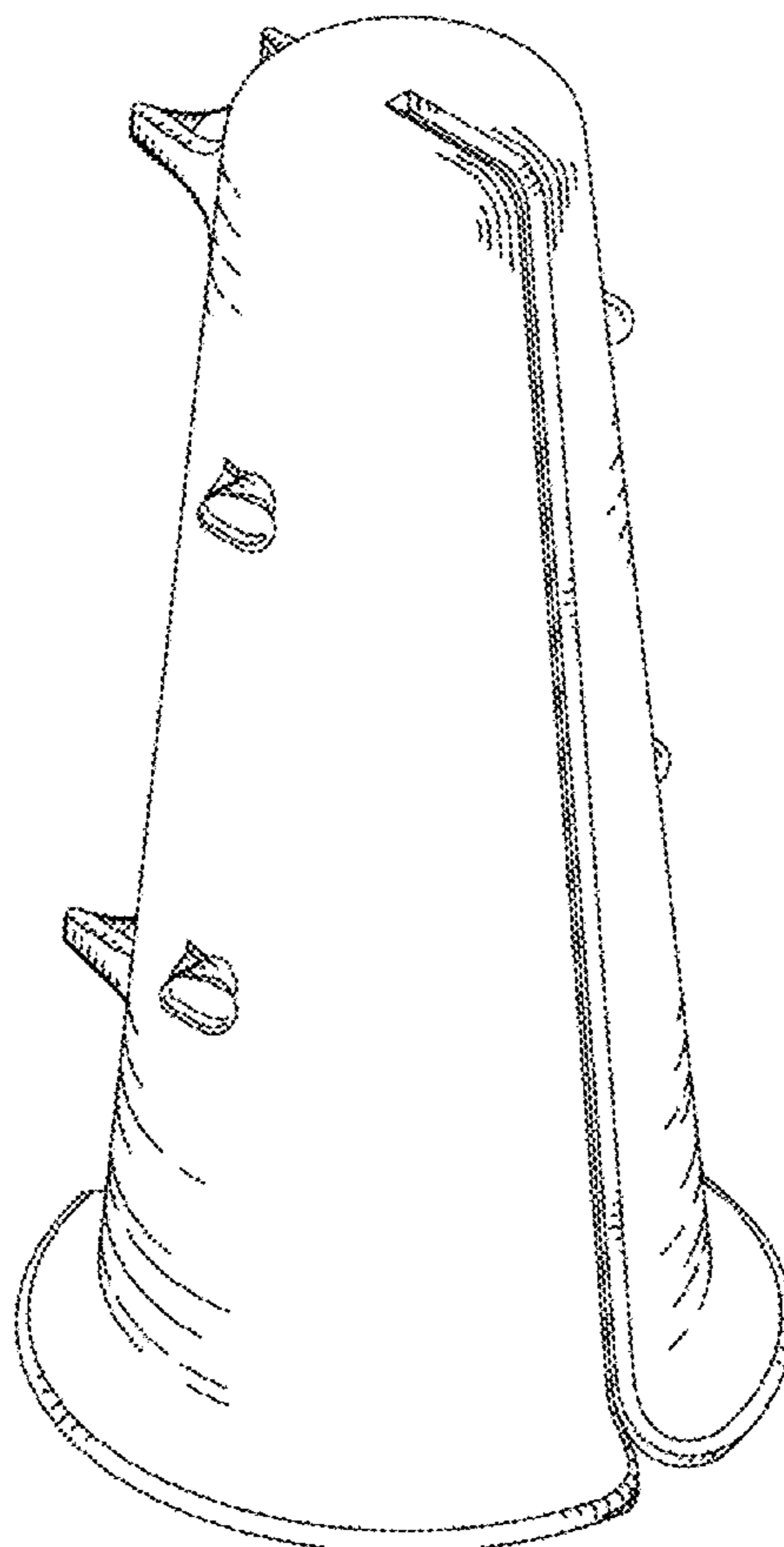
(57) **CLAIM**

The ornamental design for a containment device, as shown.

DESCRIPTION

FIG. 1 is a front and side perspective view of the containment device showing my new design;
FIG. 2 is a side elevation view thereof;
FIG. 3 is an opposite side elevation view thereof;
FIG. 4 is a front elevation view thereof;
FIG. 5 is a bottom plan view thereof; and,
FIG. 6 is a top plan view.

1 Claim, 6 Drawing Sheets



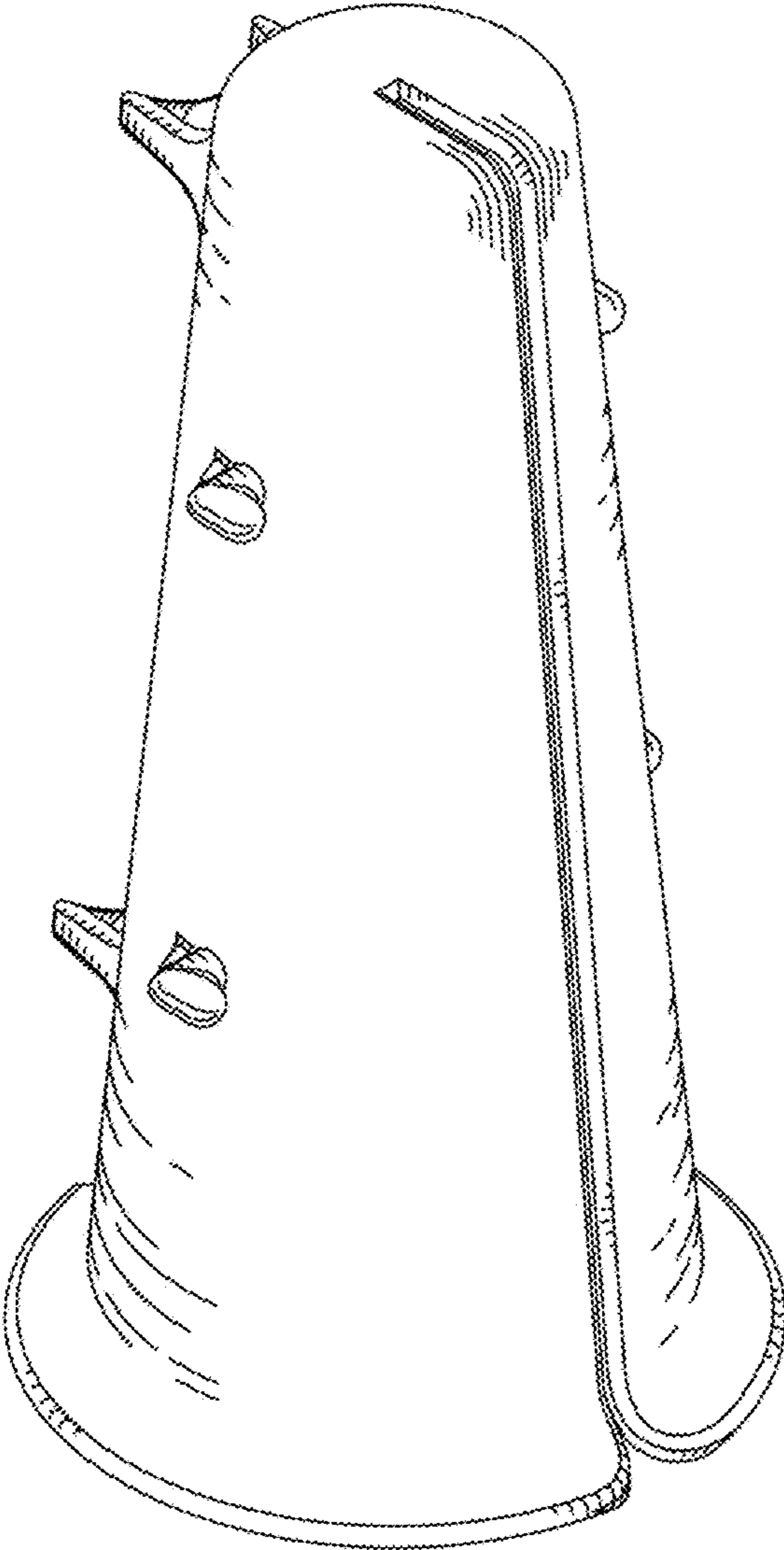


FIG. 1

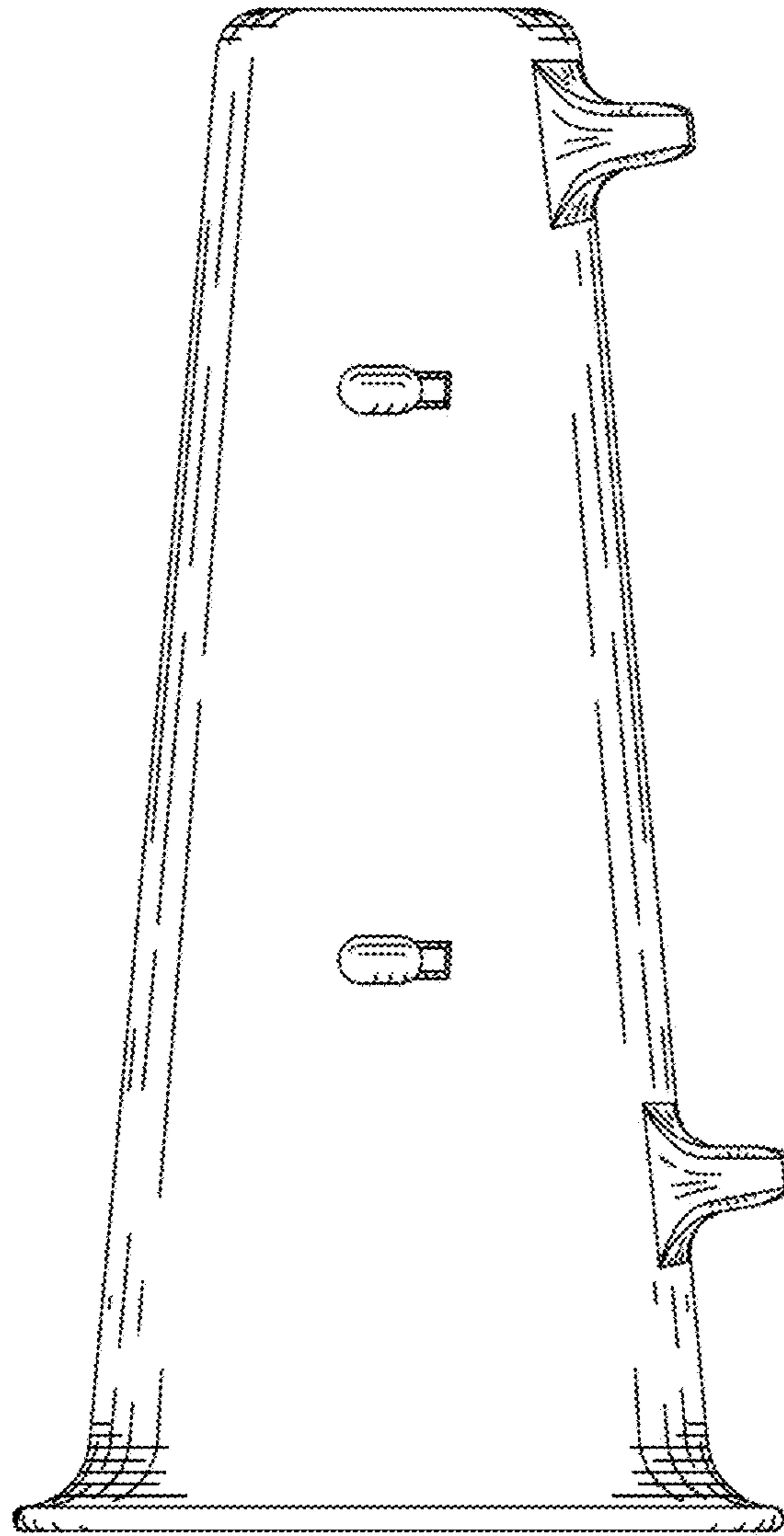


FIG. 2

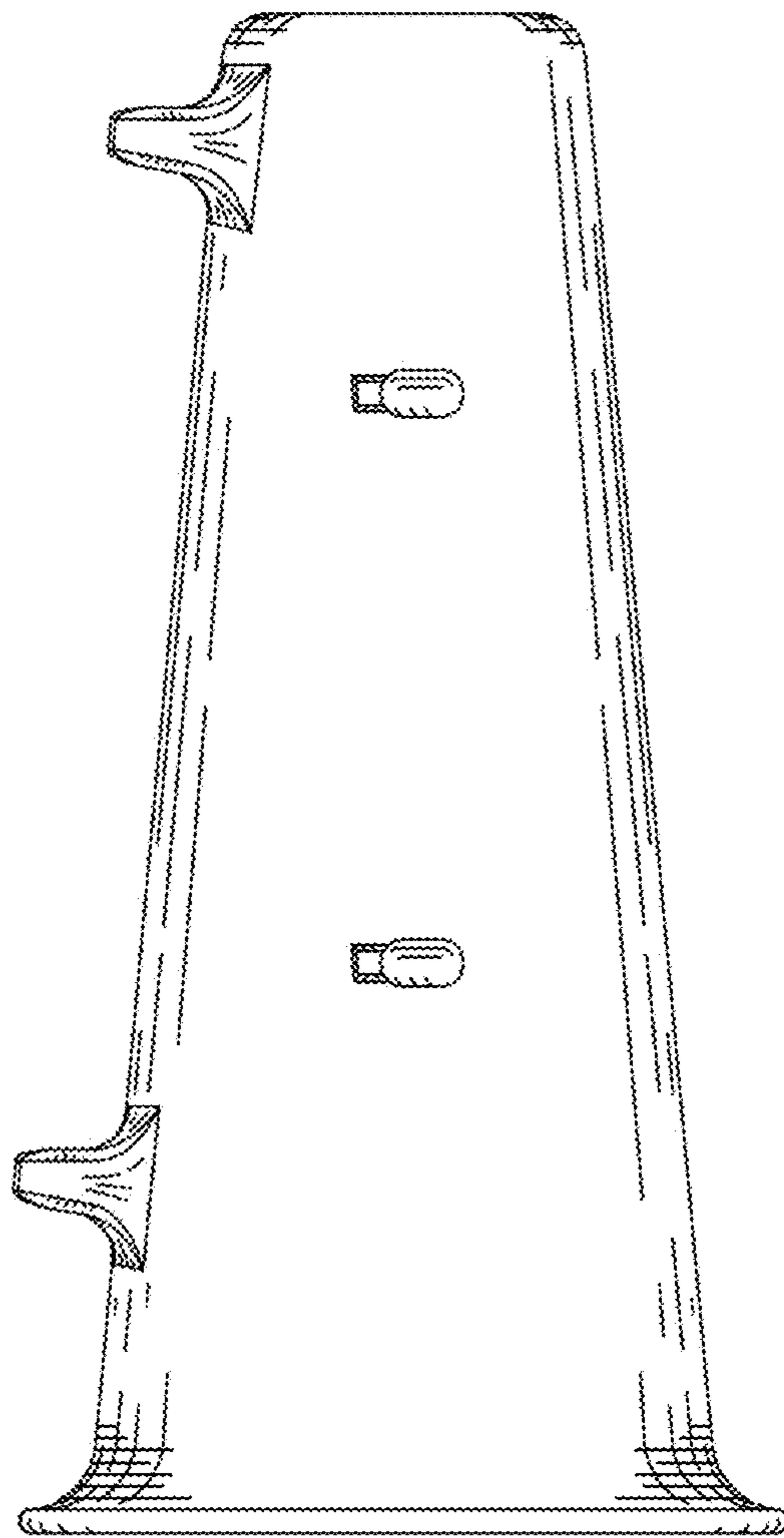


FIG. 3

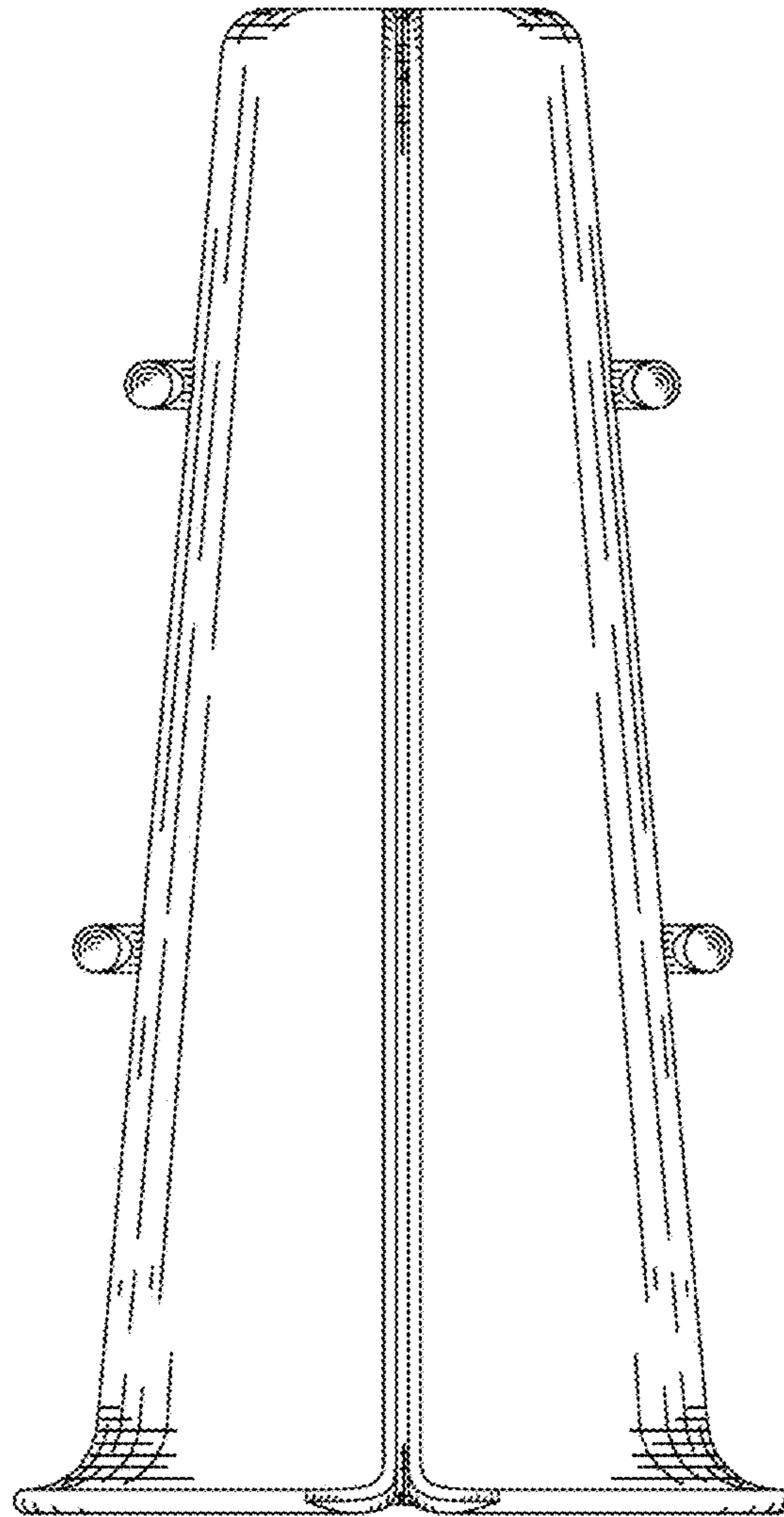


FIG. 4

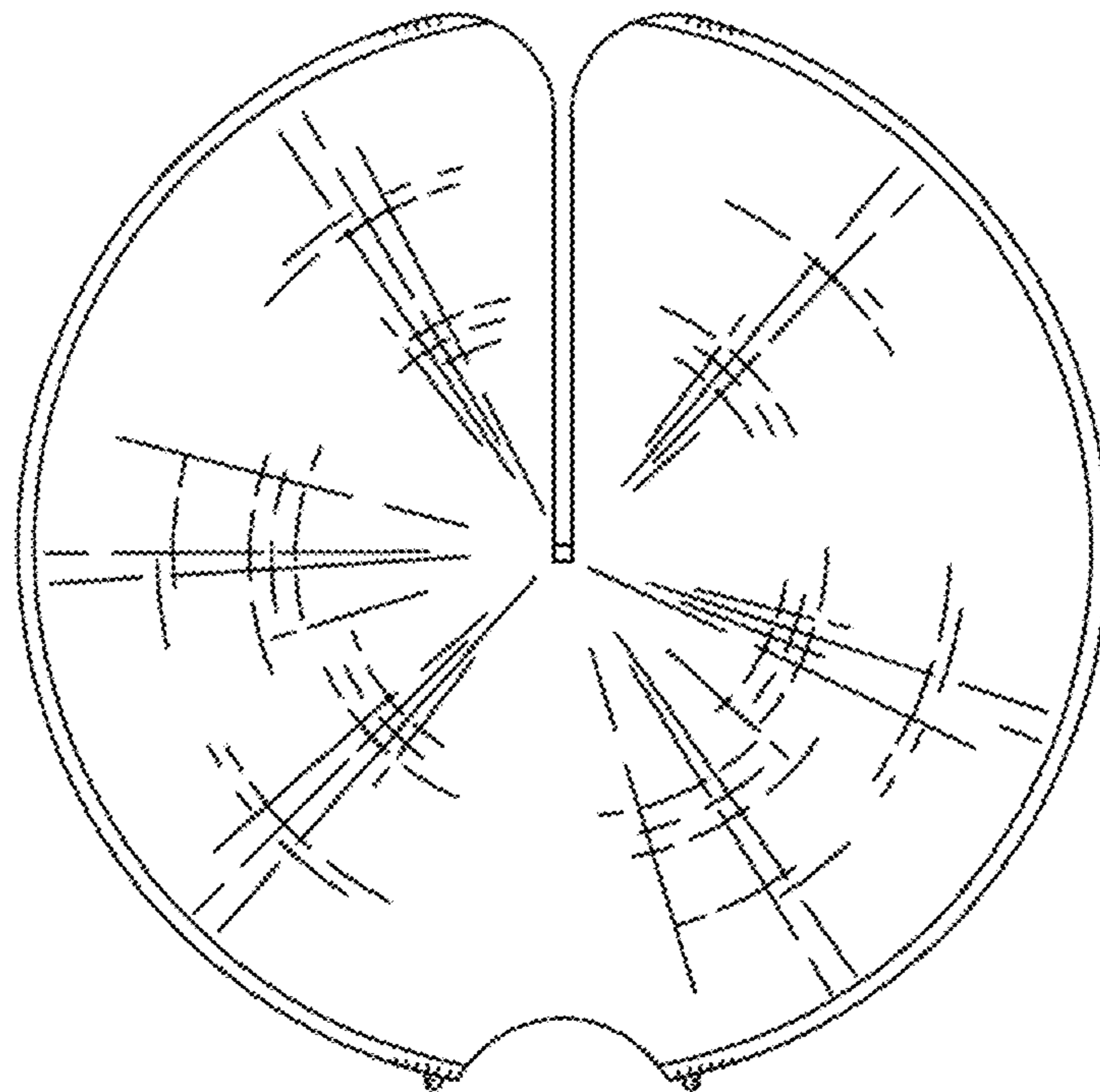


FIG. 5

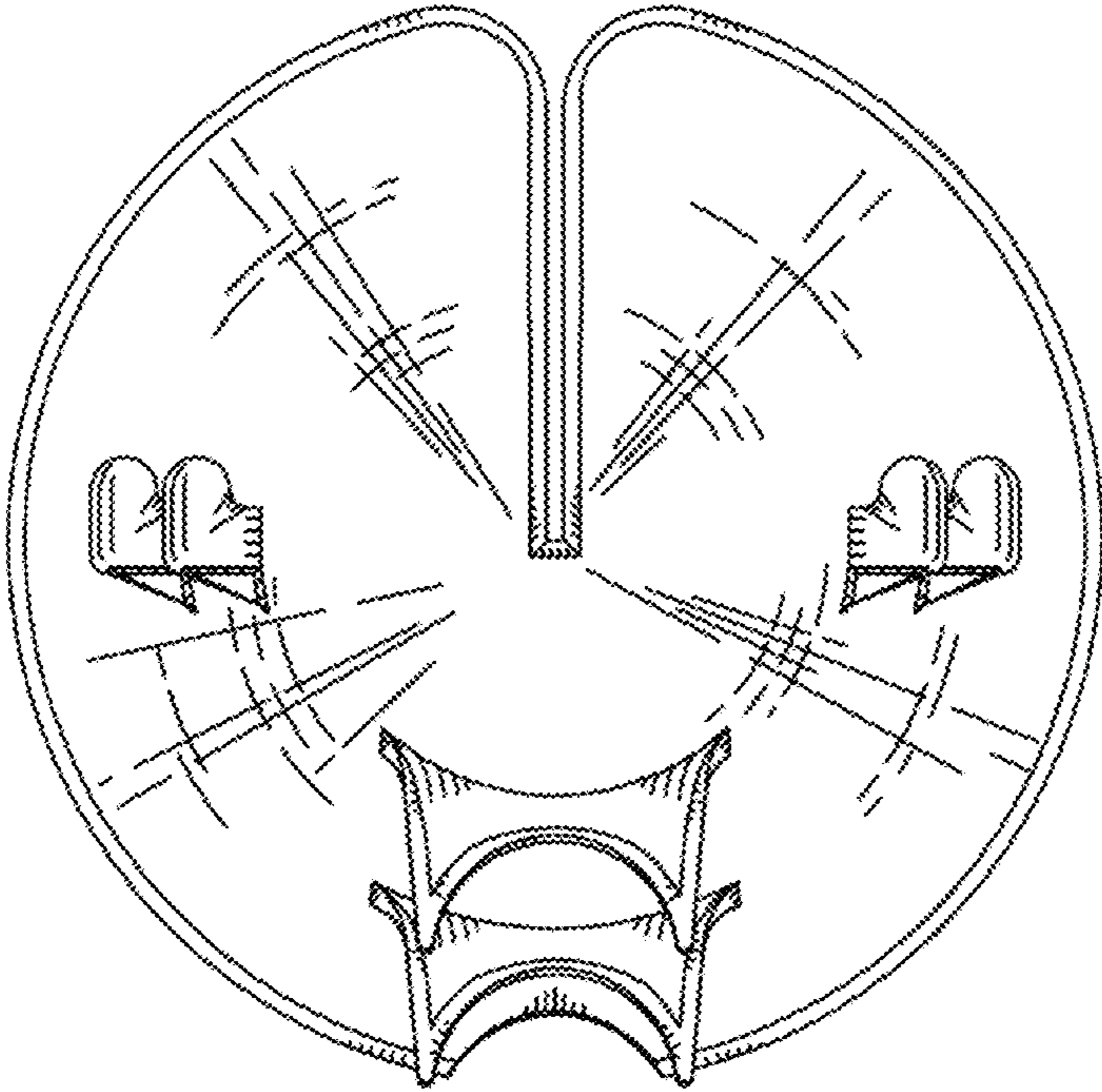


FIG. 6