



US00D889591S

(12) **United States Design Patent**  
**Fan**

(10) **Patent No.:** **US D889,591 S**

(45) **Date of Patent:** **\*\* Jul. 7, 2020**

- (54) **HANDHELD STUN GUN**
- (71) Applicant: **Cutting Edge Products, Inc.**,  
Winterville, NC (US)
- (72) Inventor: **Gongda Fan**, Jiangsu (CN)
- (73) Assignee: **Cutting Edge Products, Inc.**,  
Winterville, NC (US)
- (\*\*) Term: **15 Years**
- (21) Appl. No.: **29/695,515**
- (22) Filed: **Jun. 19, 2019**
- (51) **LOC (12) Cl.** ..... **22-06**
- (52) **U.S. Cl.**  
USPC ..... **D22/117**
- (58) **Field of Classification Search**  
USPC ..... D22/117-118; 222/78, 153.03, 153.11,  
222/162, 172, 175, 182-183; 42/1.09;  
463/47.3; 361/232; 348/148; 206/38.1  
CPC ..... B65D 83/68; B65D 83/88; F41B 15/04;  
F41B 13/00; F41B 13/008; F41H  
13/0087; G08B 15/02; G08B 13/1966;  
G08B 13/19682; H05B 3/03; H05B 3/44  
See application file for complete search history.

D661,771 S *	6/2012	Nawaz	.....	D22/117
D702,312 S *	4/2014	Ying	.....	D22/117
D731,612 S *	6/2015	Ying	.....	D22/117
D874,608 S *	2/2020	Ni	.....	D22/117
D875,202 S *	2/2020	Yang	.....	D22/117
D877,849 S *	3/2020	Yang	.....	D22/117

\* cited by examiner

*Primary Examiner* — Catherine R Oliver-Garcia  
(74) *Attorney, Agent, or Firm* — Mitchell Law PLLC;  
Matthew W. Mitchell

- (56) **References Cited**  
**U.S. PATENT DOCUMENTS**  
D530,777 S \* 10/2006 Rhee ..... D22/117  
D539,376 S \* 3/2007 Rhee ..... D22/117

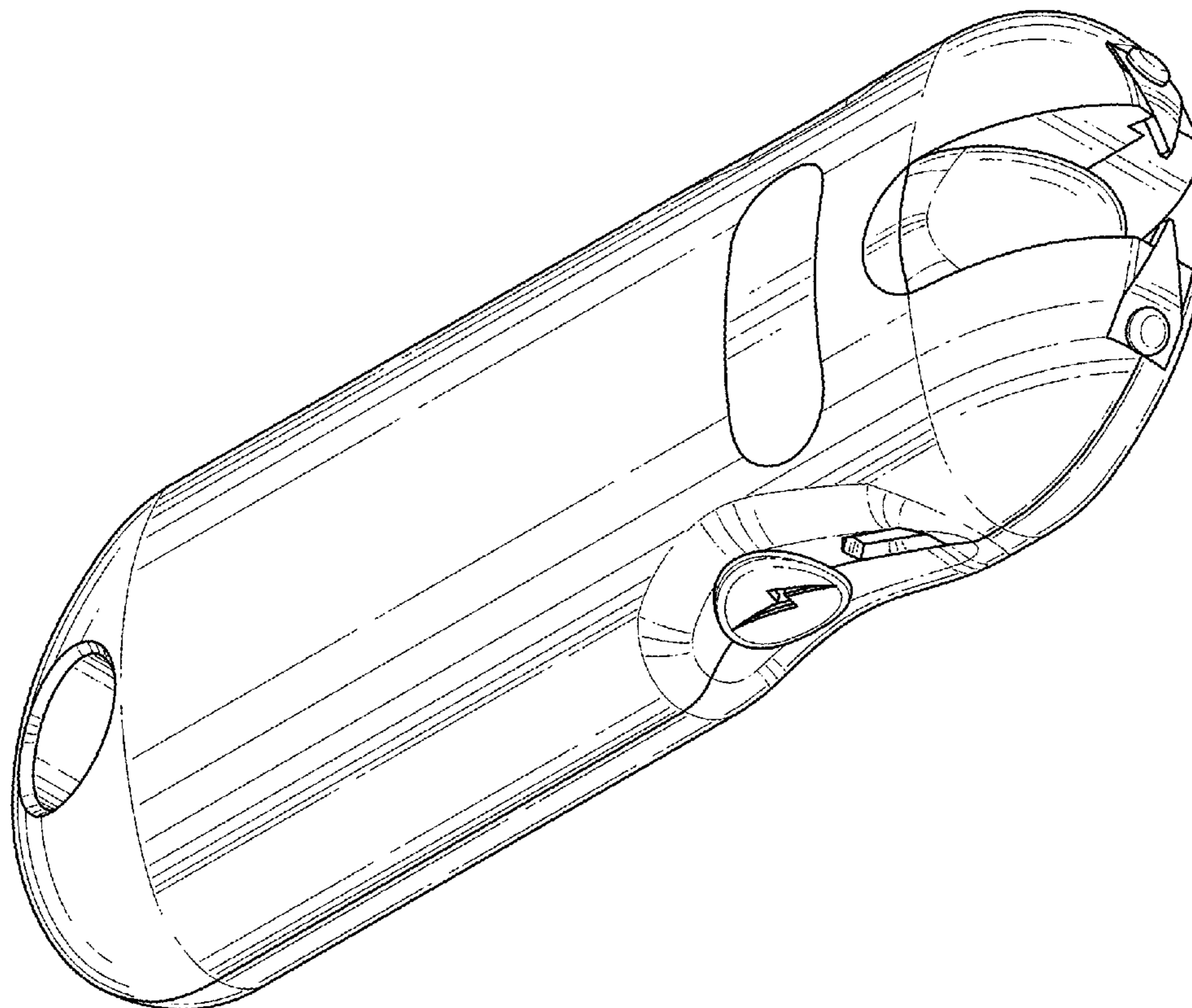
(57) **CLAIM**

The ornamental design for a handheld stun gun, as shown.

**DESCRIPTION**

FIG. 1 is a front and left side perspective view of the handheld stun gun of the present invention; FIG. 2 is a front elevation view thereof; FIG. 3 is a rear elevation view thereof; FIG. 4 is a left side elevation view thereof; FIG. 5 is a right side elevation view thereof; FIG. 6 is a bottom plan view thereof; and, FIG. 7 is a top plan view thereof.

**1 Claim, 7 Drawing Sheets**



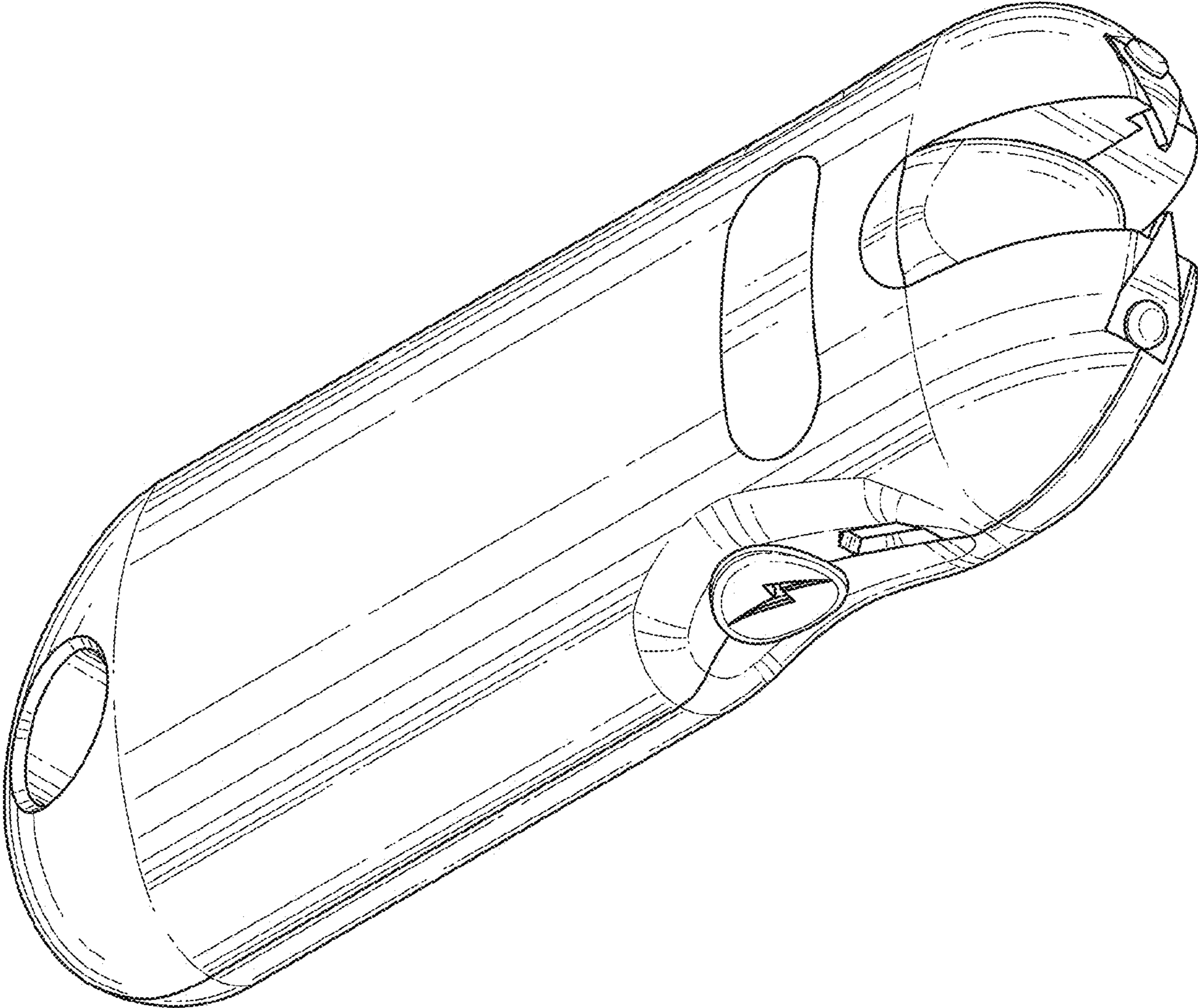


FIG. 1

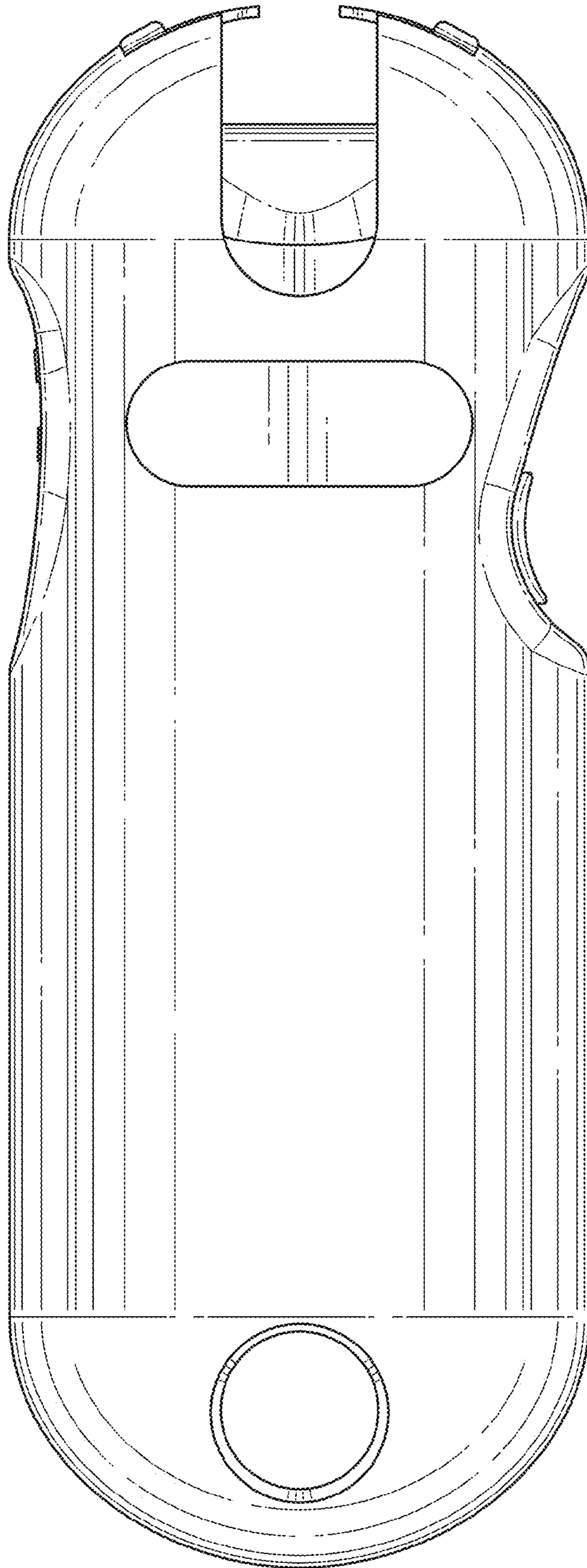


FIG. 2

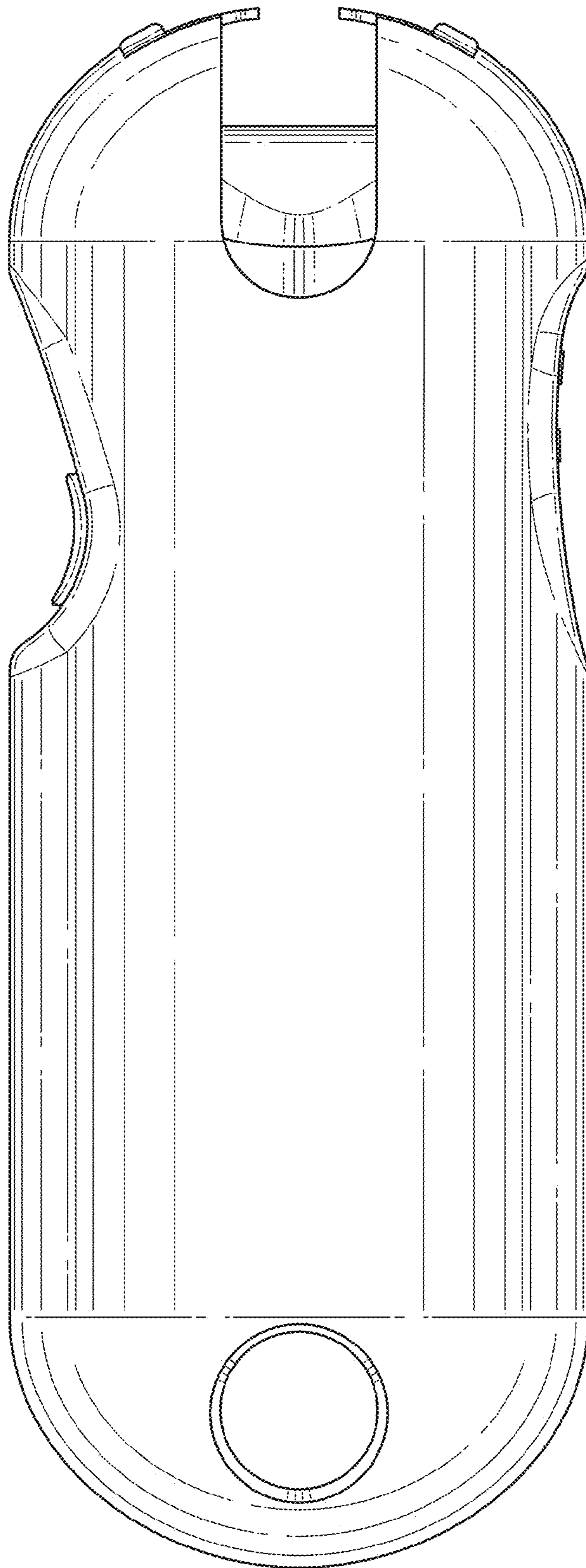


FIG. 3

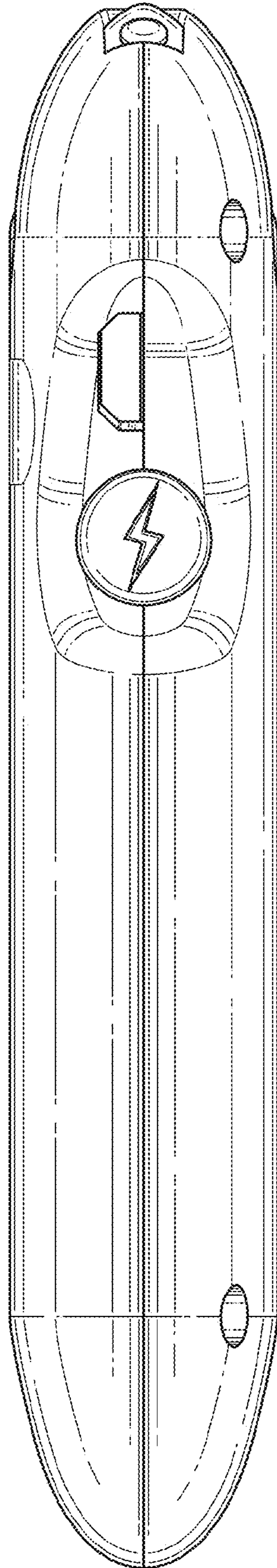


FIG. 4

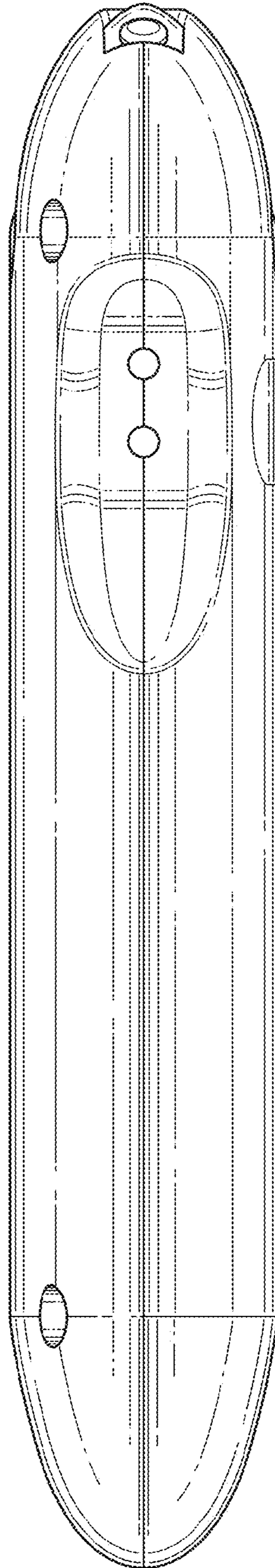


FIG. 5

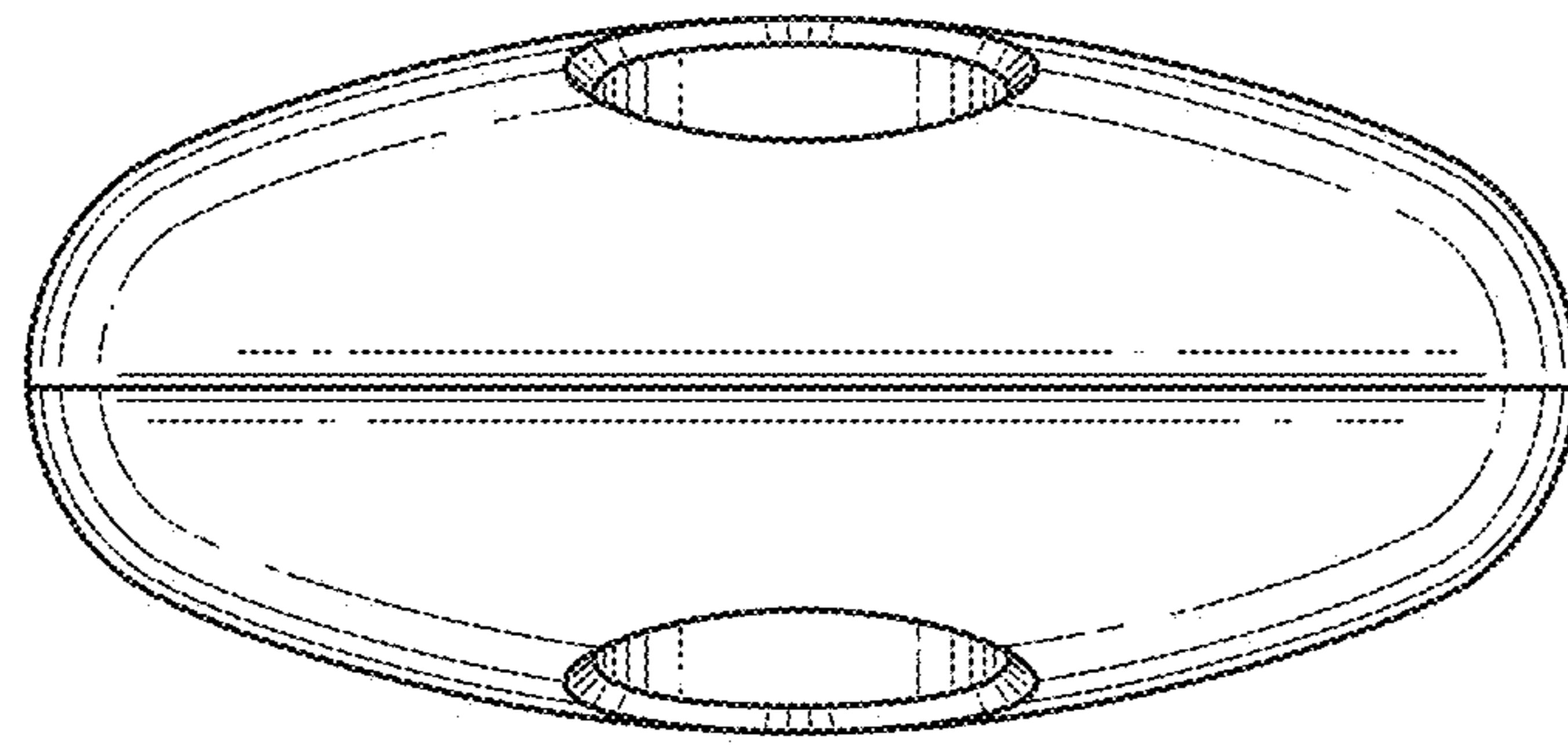


FIG. 6

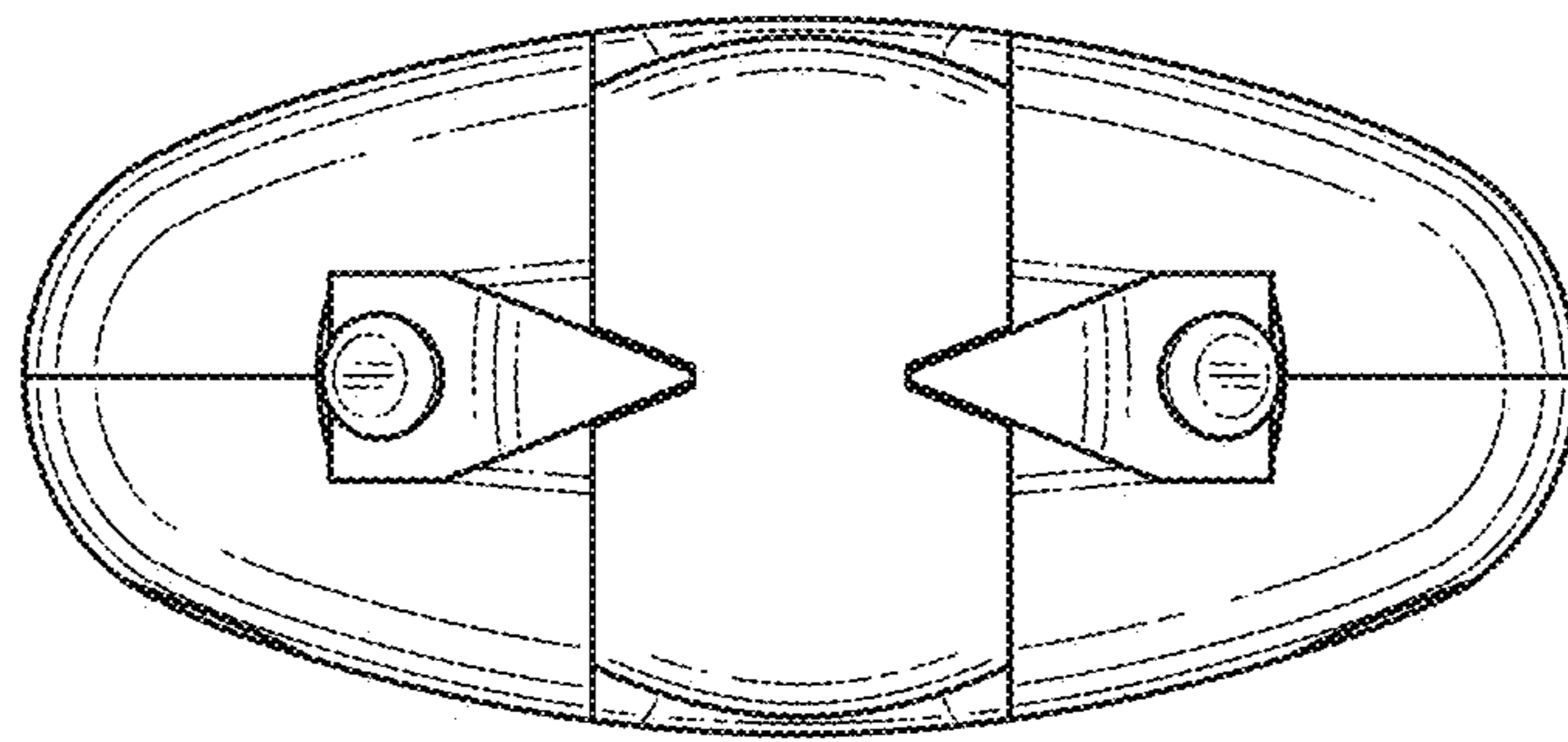


FIG. 7