



US00D889589S

(12) **United States Design Patent** (10) **Patent No.:** **US D889,589 S**
Nawaz (45) **Date of Patent:** **** Jul. 7, 2020**

- (54) **KNUCKLE STUN GUN**
- (71) Applicant: **JAGUAR IMPORTS, LLC**, Orlando, FL (US)
- (72) Inventor: **Babar Nawaz**, Orlando, FL (US)
- (73) Assignee: **JAGUAR IMPORTS, LLC**, Orlando, FL (US)
- (**) Term: **15 Years**
- (21) Appl. No.: **29/685,290**
- (22) Filed: **Mar. 27, 2019**
- (51) **LOC (12) Cl.** **22-02**
- (52) **U.S. Cl.**
USPC **D22/117**
- (58) **Field of Classification Search**
USPC D22/117; D14/435.1; D26/38; 42/1.08, 42/1.09; 361/232; 200/519; 340/321, 340/574, 693.8; 222/39, 113, 192, 222/153.03, 162, 175, 402.21
CPC ... A61F 5/41; A62B 33/00; F41H 9/10; F41H 15/04; F21L 4/00; H05B 3/03
See application file for complete search history.

D812,709 S *	3/2018	Han	D22/117
D827,084 S *	8/2018	Sheikh	D22/117
D875,203 S *	2/2020	Yang	D22/117
2017/0176134 A1	6/2017	Hulet		

OTHER PUBLICATIONS

Night Watchman Knuckle Stun Gun 5000,000 Volt, BUDK.com (Year: 2015).*

Cheetah Sting Ring 18MV Stun Gun Tactical Self Defense Security Tool, MegaKnife.com (Year: 2020).*

* cited by examiner

Primary Examiner — Catherine R Oliver-Garcia
 (74) *Attorney, Agent, or Firm* — Allen, Dyer et al.

(57) **CLAIM**

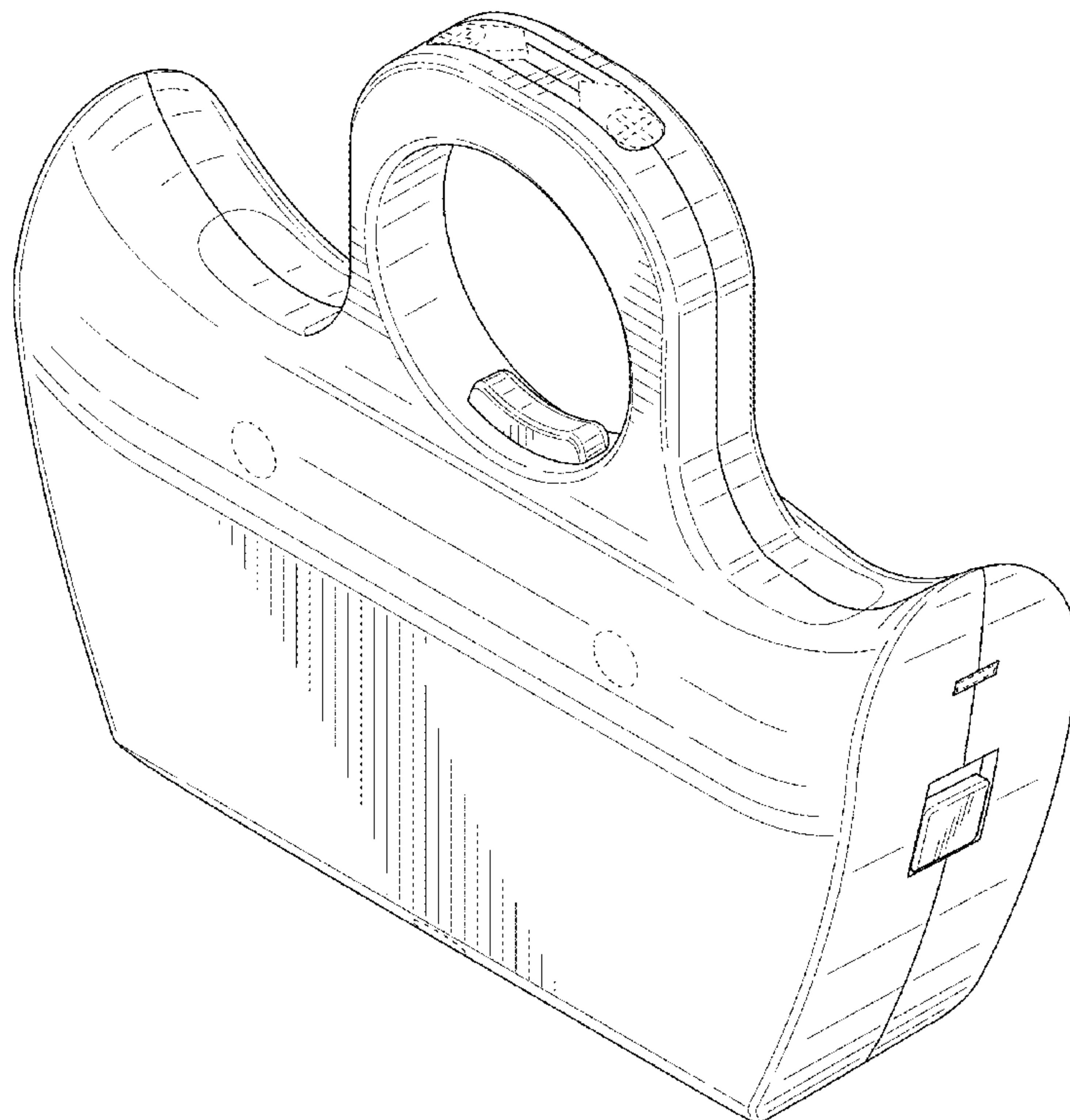
The ornamental design for a knuckle stun gun, as shown and described.

DESCRIPTION

FIG. 1 is a front perspective view of a knuckle stun gun showing my new design;
 FIG. 2 is a front elevational view thereof;
 FIG. 3 is a rear elevational view thereof;
 FIG. 4 is a top view thereof;
 FIG. 5 is a bottom view thereof;
 FIG. 6 is a right side elevational view thereof; and,
 FIG. 7 is a left side elevational view thereof.
 The broken lines in FIGS. 1-2 and 4-7 illustrate portions of the knuckle stun gun that form no part of the claimed design.

1 Claim, 5 Drawing Sheets

- (56) **References Cited**
- U.S. PATENT DOCUMENTS
- | | | |
|--------------|--------|---------|
| D609,346 S | 2/2010 | Yu |
| 8,520,359 B1 | 8/2013 | Nawaz |
| D738,569 S | 9/2015 | Saide |
| D747,433 S | 1/2016 | Cravens |
| D748,835 S | 2/2016 | Yu |



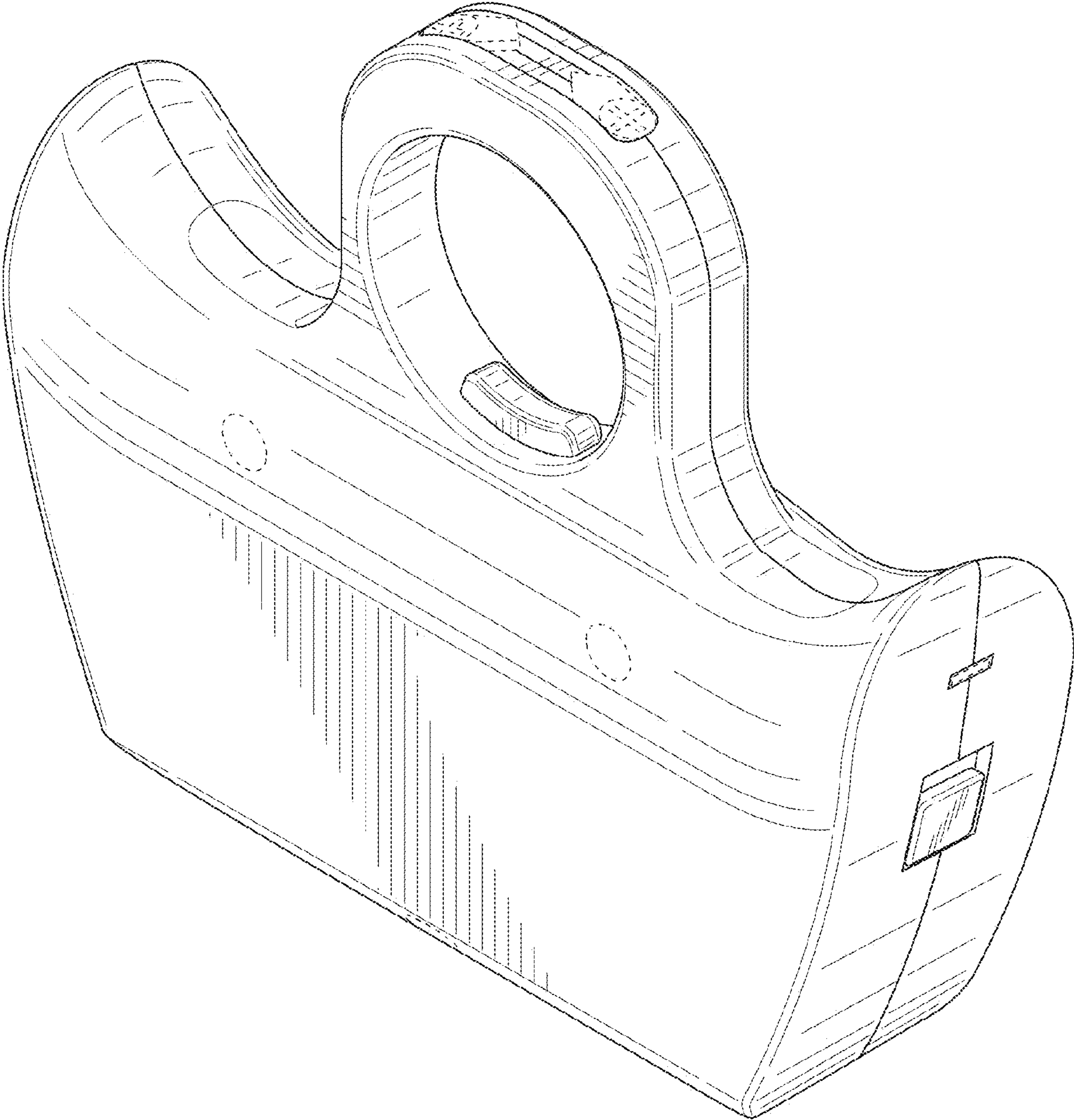


FIG. 1

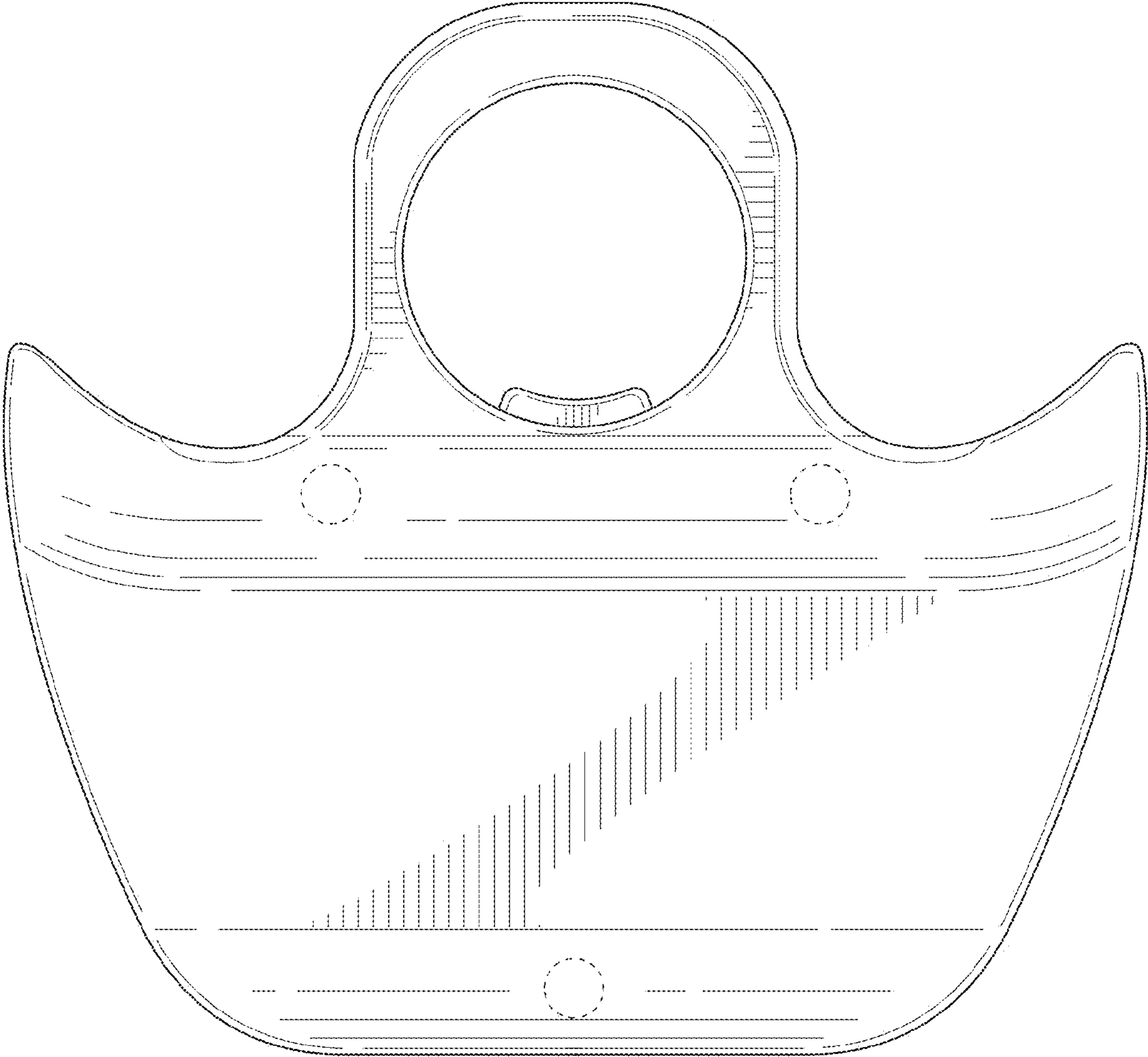


FIG. 2

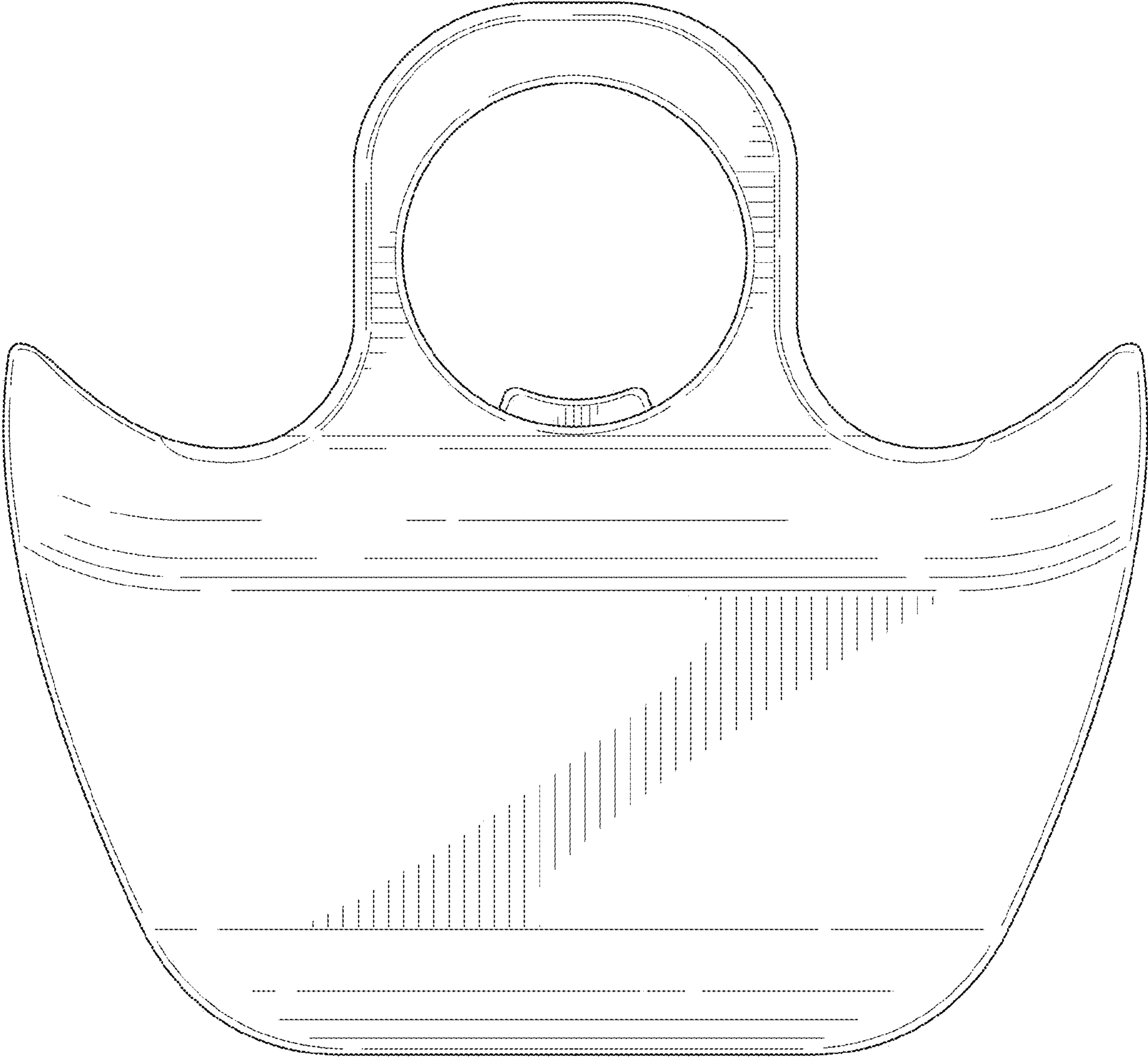


FIG. 3

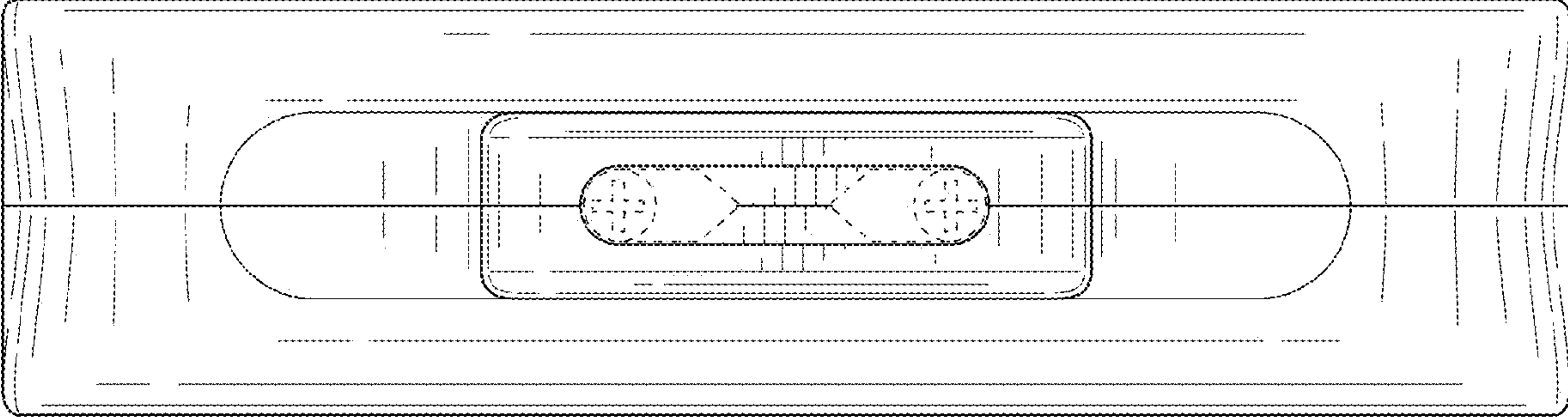


FIG. 4

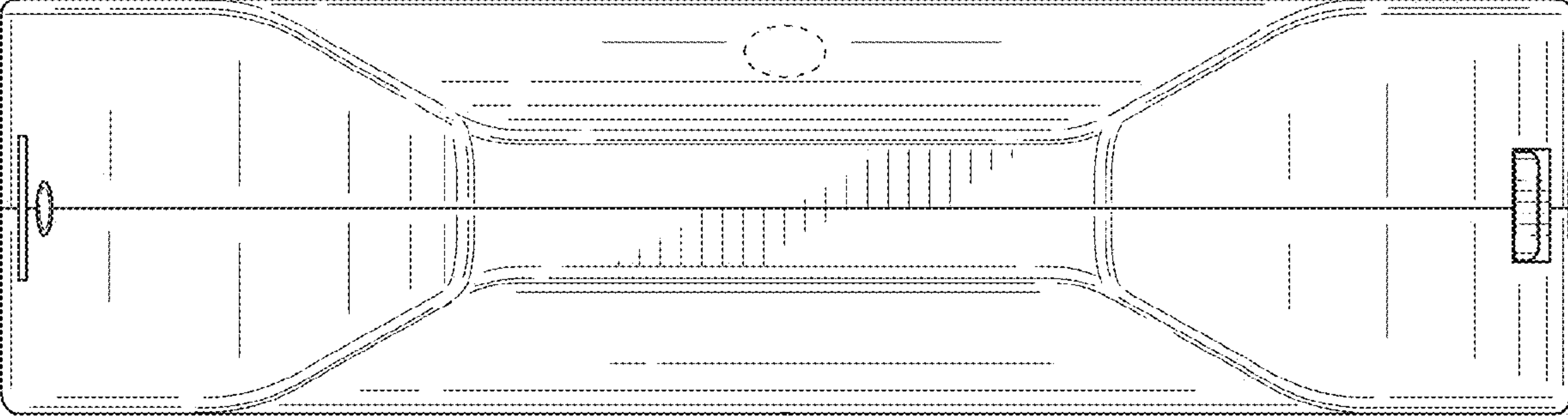


FIG. 5

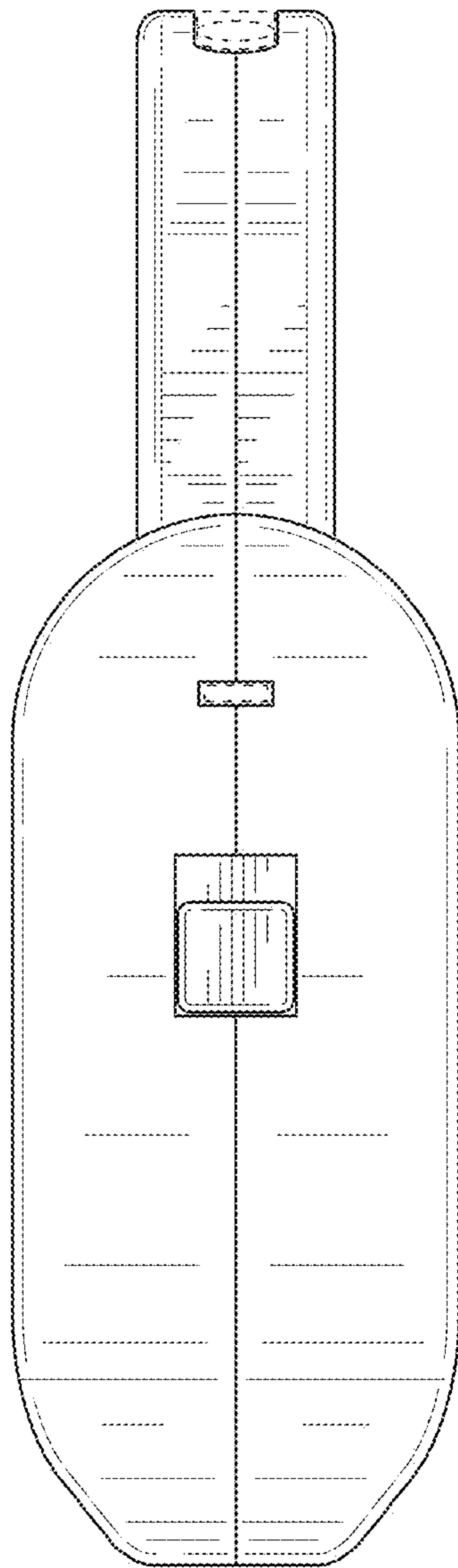


FIG. 6

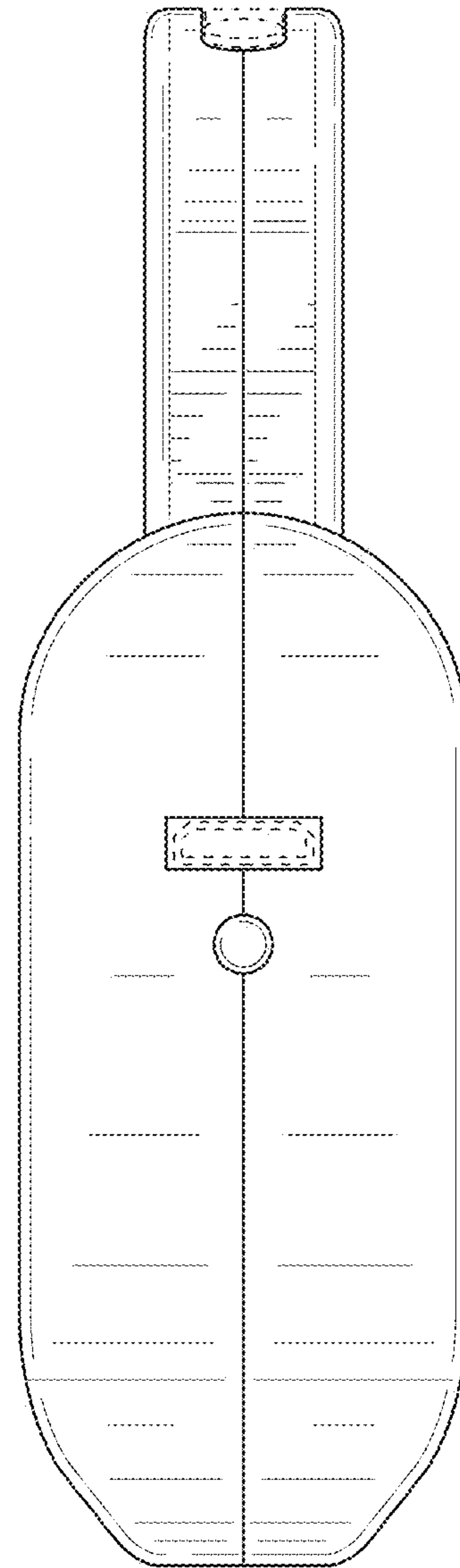


FIG. 7