



US00D889587S

(12) **United States Design Patent**
Wallgren

(10) **Patent No.:** **US D889,587 S**

(45) **Date of Patent:** **** Jul. 7, 2020**

(54) **FIREARM MAGAZINE BASE PLATE**

(71) Applicant: **Henning's Shop, LLC**, Fort Collins,
CO (US)

(72) Inventor: **Henning Wallgren**, Longmont, CO
(US)

(73) Assignee: **HENNING'S SHOP, LLC**, Hygiene,
CO (US)

(**) Term: **15 Years**

(21) Appl. No.: **29/679,073**

(22) Filed: **Feb. 1, 2019**

(51) **LOC (12) Cl.** **22-01**

(52) **U.S. Cl.**
USPC **D22/108**

(58) **Field of Classification Search**
USPC D22/100, 103, 108, 109, 113, 115, 116,
D22/199; D21/302, 567, 573
CPC F41C 7/00; F41C 23/16; F41G 1/02; F41G
1/027; F41G 1/14; F41J 1/10; F42B 6/10;
F42B 7/00; F42B 7/02; F41A 17/38
See application file for complete search history.

(56) **References Cited**

U.S. PATENT DOCUMENTS

D401,992 S *	12/1998	Pearce	D22/108
6,568,115 B2 *	5/2003	Beretta	F41A 9/65
				42/50
D641,453 S *	7/2011	Stone	D22/199
8,793,919 B1 *	8/2014	Probst, Jr.	F41C 27/00
				42/108
D726,279 S *	4/2015	Stedman	D22/108
D745,944 S *	12/2015	Kielsmeier	D22/108
9,383,152 B2 *	7/2016	Nakayama	F41A 9/70
D783,111 S *	4/2017	Hillis	D22/108
D792,546 S *	7/2017	Geissele	D22/108
9,772,151 B1 *	9/2017	Sanderson	F41A 9/64
D823,975 S *	7/2018	Anderson	D22/108

10,101,105 B1 *	10/2018	Novak	F41A 35/00
D836,745 S *	12/2018	Benson	D22/108
D837,331 S *	1/2019	Garner	D22/108
10,190,835 B2 *	1/2019	Hsu	F41A 9/71
D841,758 S *	2/2019	Novak	F41A 35/00
				D22/108
D855,736 S *	8/2019	Sroufe	D22/108
D868,925 S *	12/2019	Novak	D22/108

(Continued)

OTHER PUBLICATIONS

“Apex Tactical Specialties Inc—J-Plate Baseplate for Magpul PMAG GL9” [online]. brownells.com. [Retrieved Feb. 27, 2020]. Retrieved from the Internet: <<https://www.brownells.com/magazines/handgun-magazines/magazine-parts/magazine-floorplates/j-plate-baseplate-for-magpul-pmag-gl9-prod84994.aspx?>>.*

(Continued)

Primary Examiner — Khawaja Anwar
Assistant Examiner — Mojtaba Tehrani
(74) *Attorney, Agent, or Firm* — Berg Hill Greenleaf
Ruscitti, LLP.

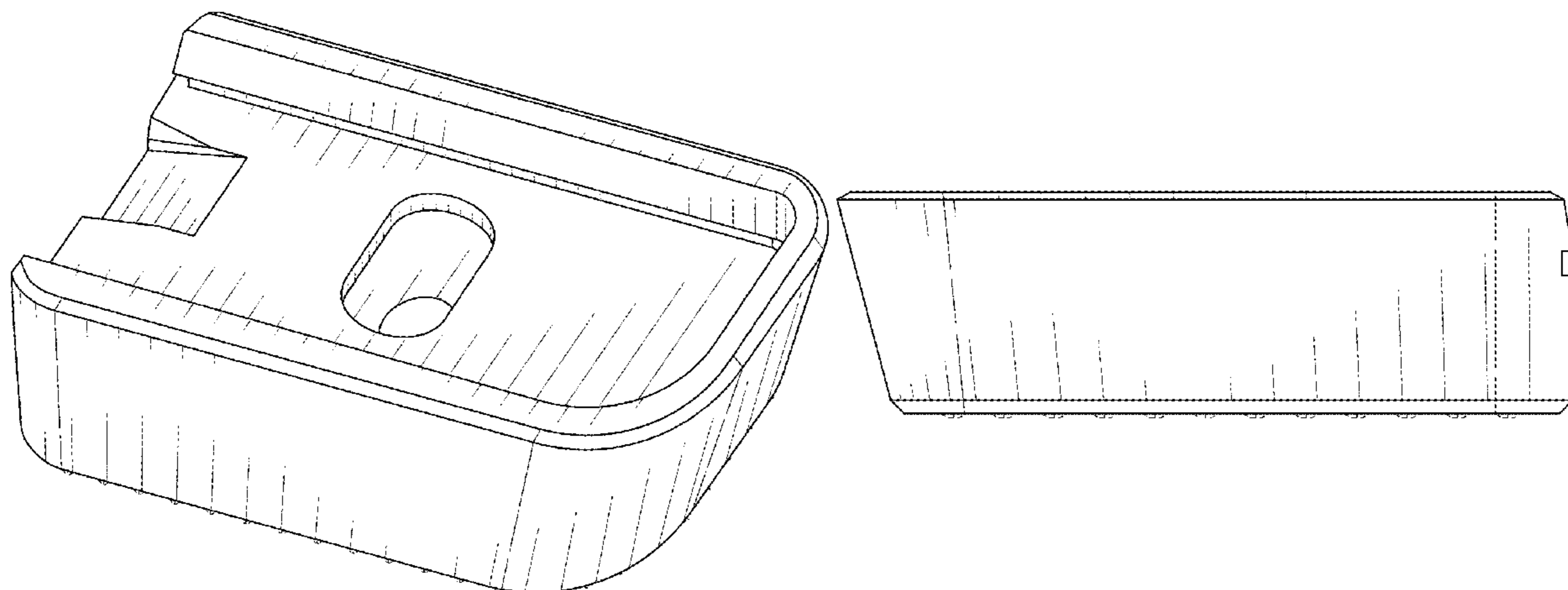
(57) **CLAIM**

The ornamental design for the firearm magazine base plate, as shown and described.

DESCRIPTION

FIG. 1 is a front perspective view of a firearm magazine base plate, showing my new design;
FIG. 2 is a front elevation view thereof;
FIG. 3 is a back elevation view thereof;
FIG. 4 is a right elevation view thereof;
FIG. 5 is a left elevation view thereof;
FIG. 6 is a top view thereof; and,
FIG. 7 is a bottom view thereof.
The broken line in the drawings depicts unclaimed portion of the plate only and forms no part of the claimed design.

1 Claim, 5 Drawing Sheets



(56)

References Cited

U.S. PATENT DOCUMENTS

2010/0043270 A1* 2/2010 Mantas F41A 9/65
42/49.01
2013/0333261 A1* 12/2013 Clifton, Jr. F41A 9/65
42/50
2014/0007480 A1* 1/2014 Pulit, Jr. F41A 15/00
42/50
2014/0373416 A1* 12/2014 Barnhart F41A 9/67
42/50

OTHER PUBLICATIONS

“AIP CNC Infinity Puzzle Magazine Base—TM Hi-Capa (Large Version)” [online]. extremetronics.com. [Retrieved Feb. 27, 2020]. Retrieved from the Internet: <<https://www.extremetronics.com/aip-cnc-infinity-puzzle-magazine-base-tm-hi-capa-large-version/>>.*

* cited by examiner

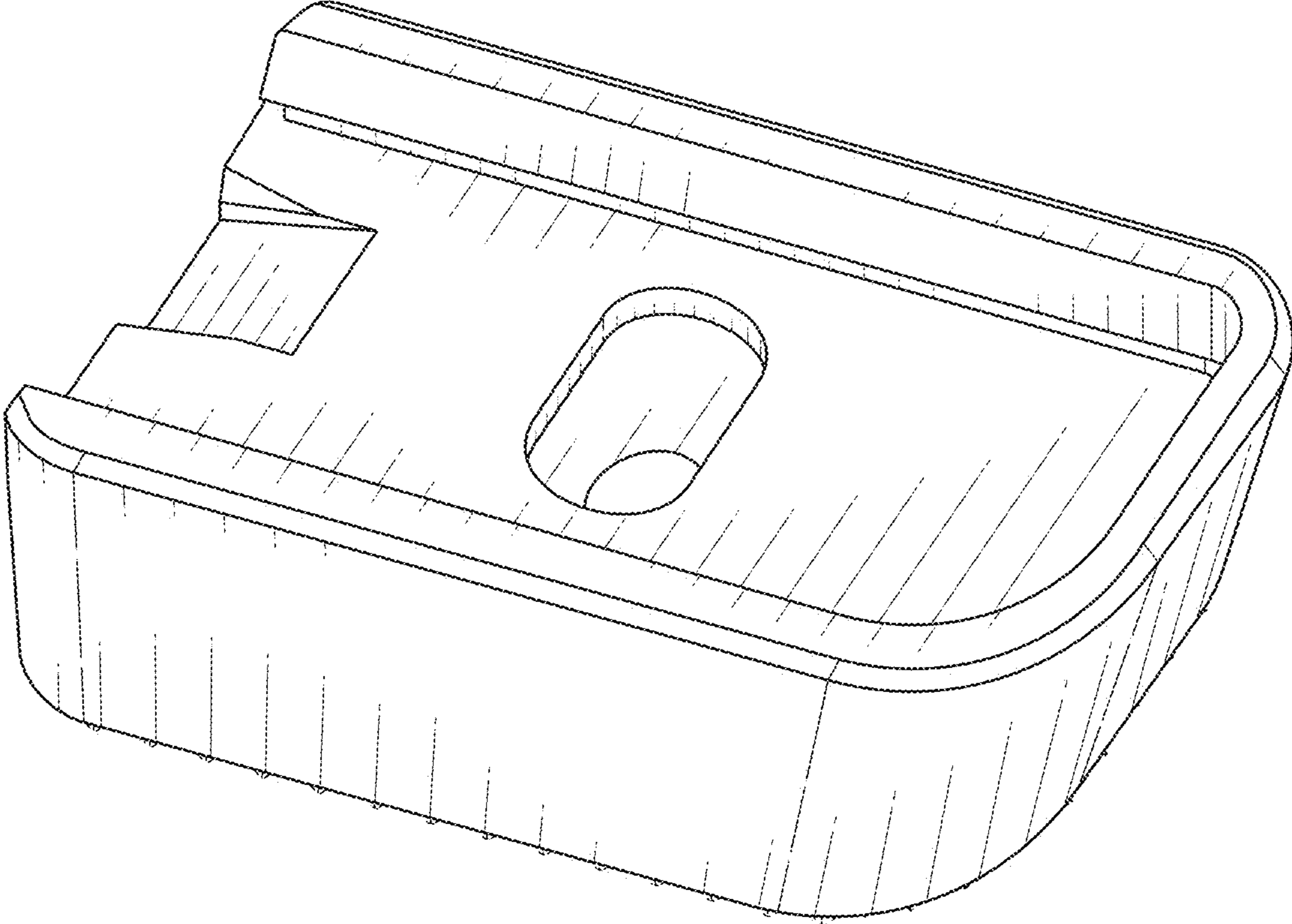


FIG. 1

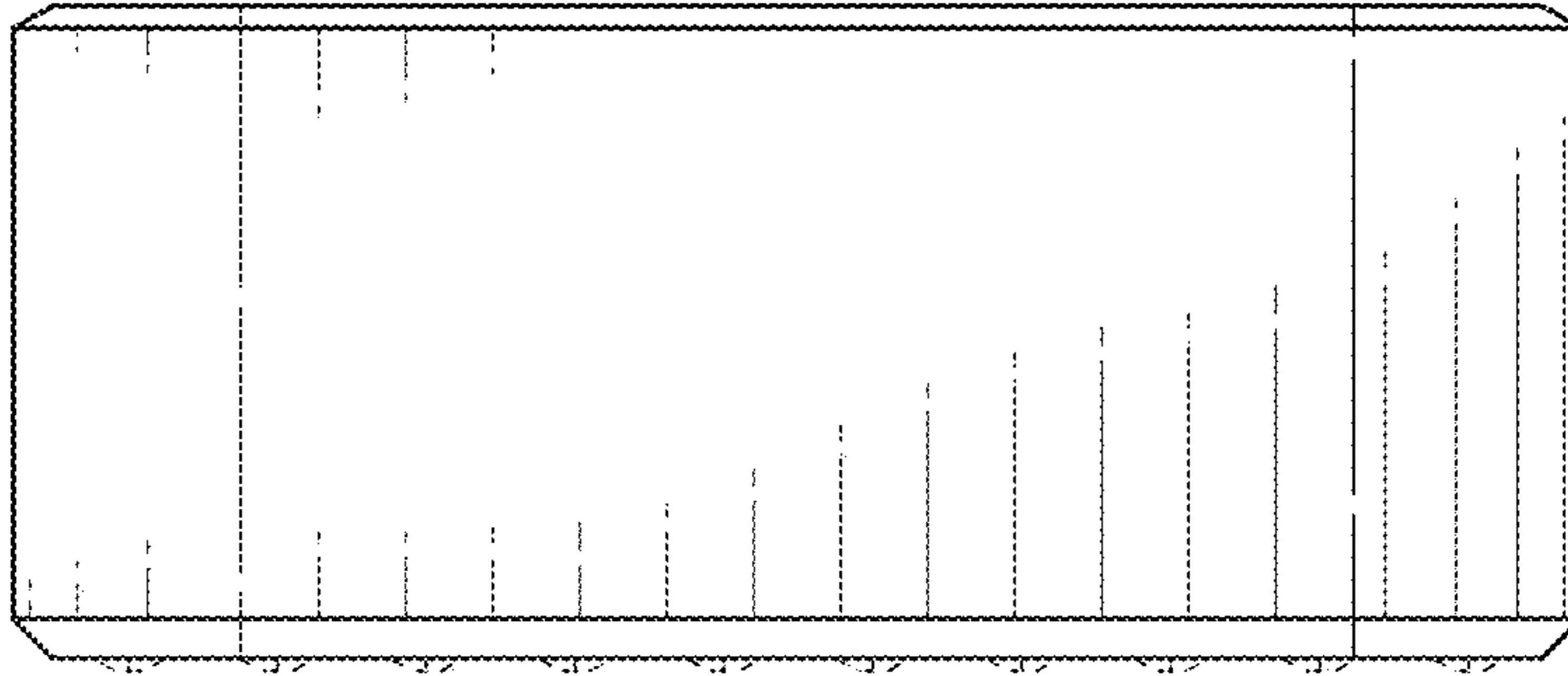


FIG. 2

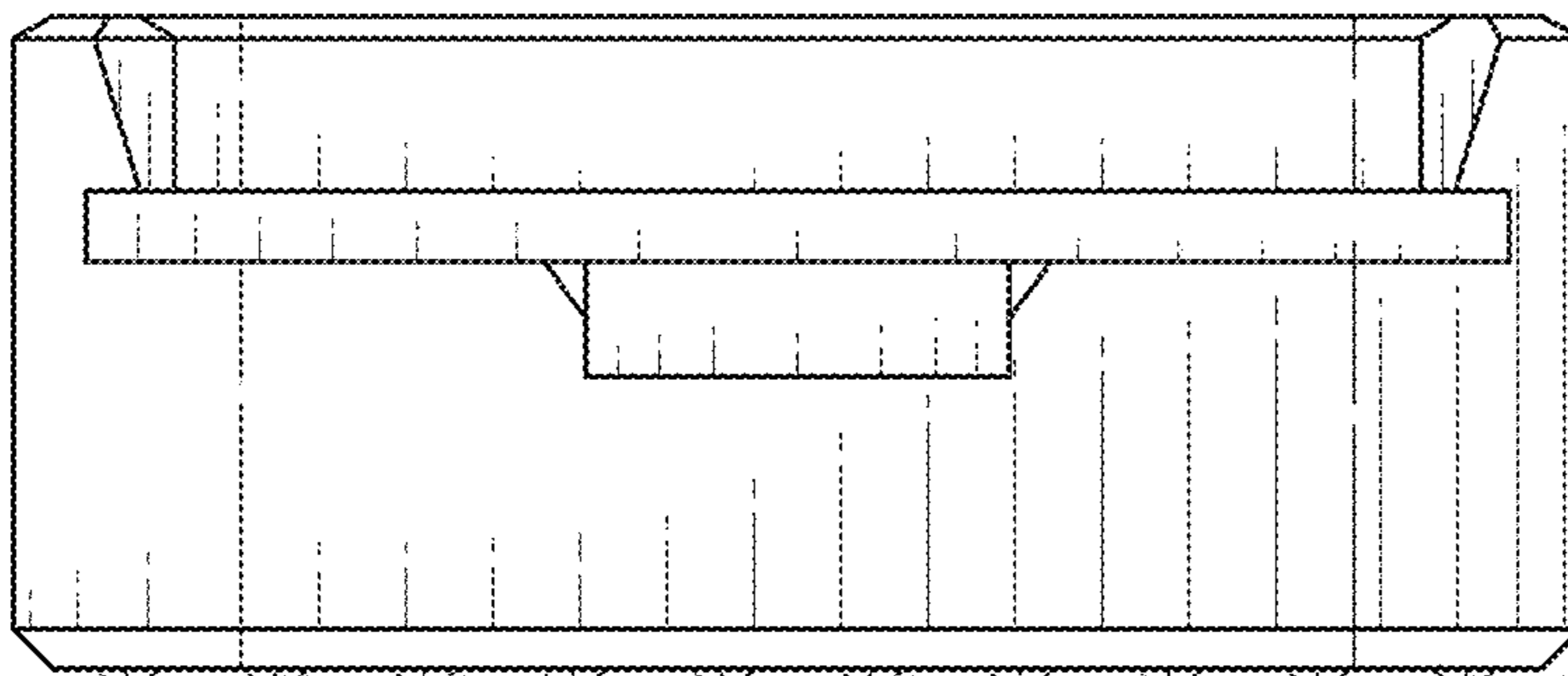


FIG. 3

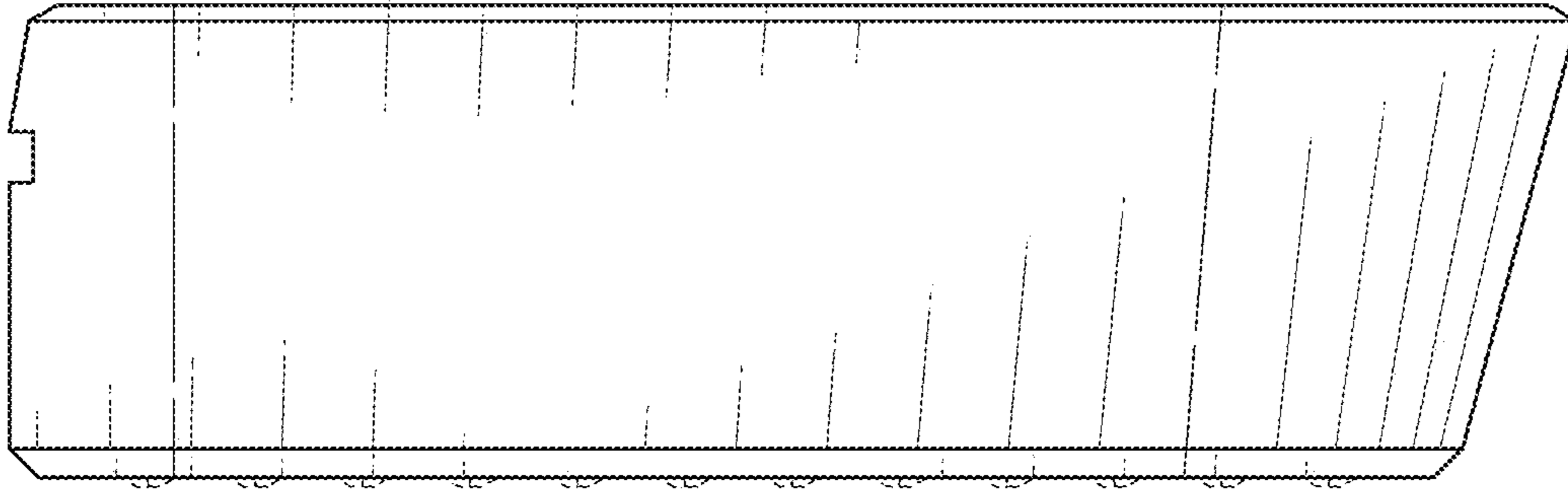


FIG. 4

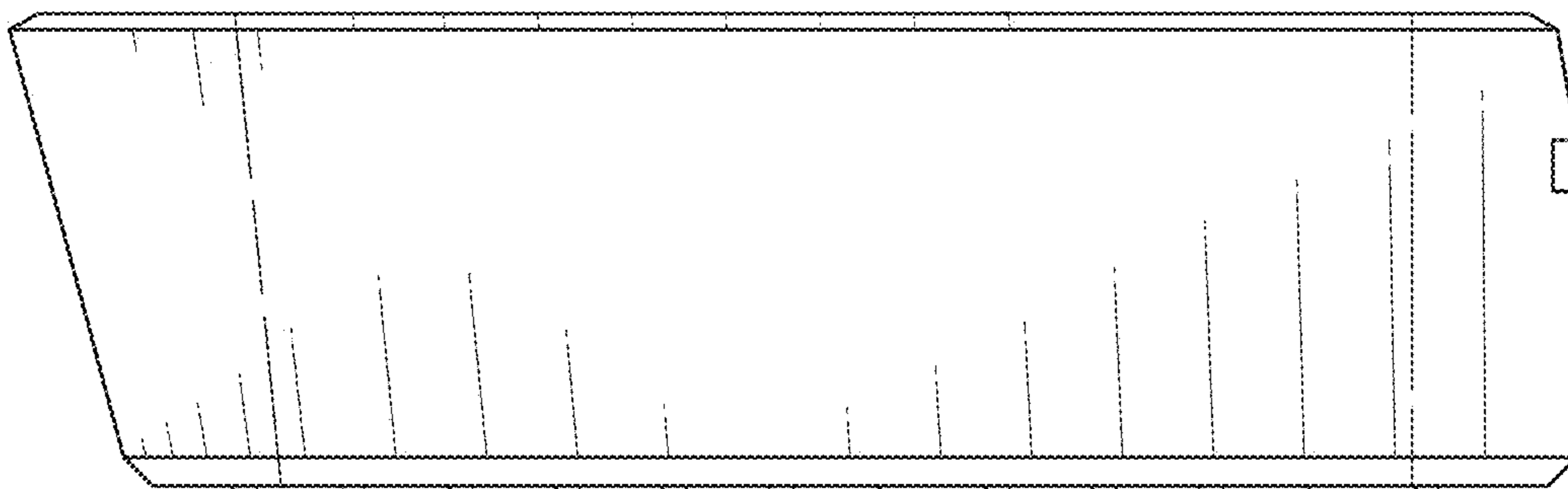


FIG. 5

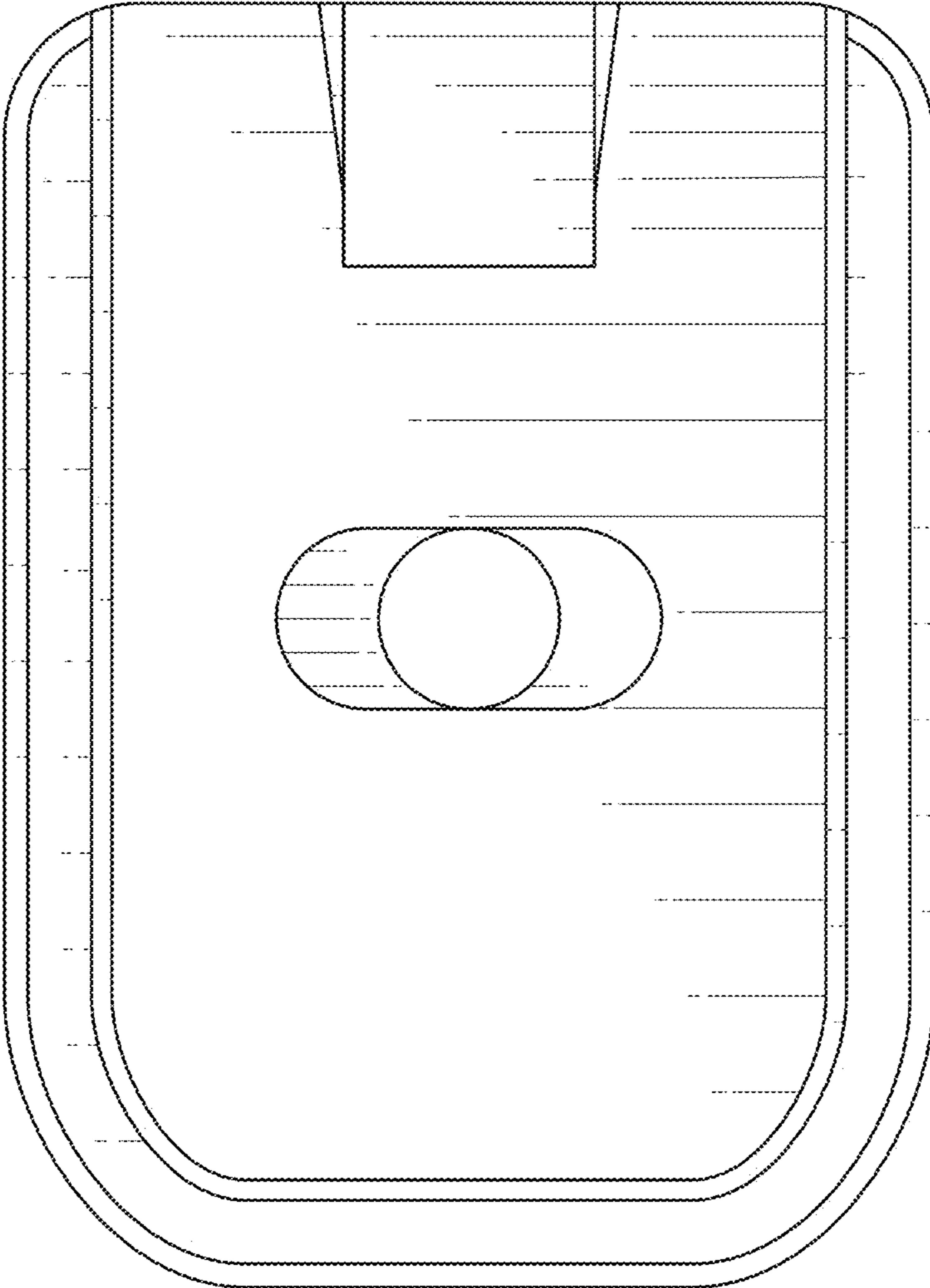


FIG. 6

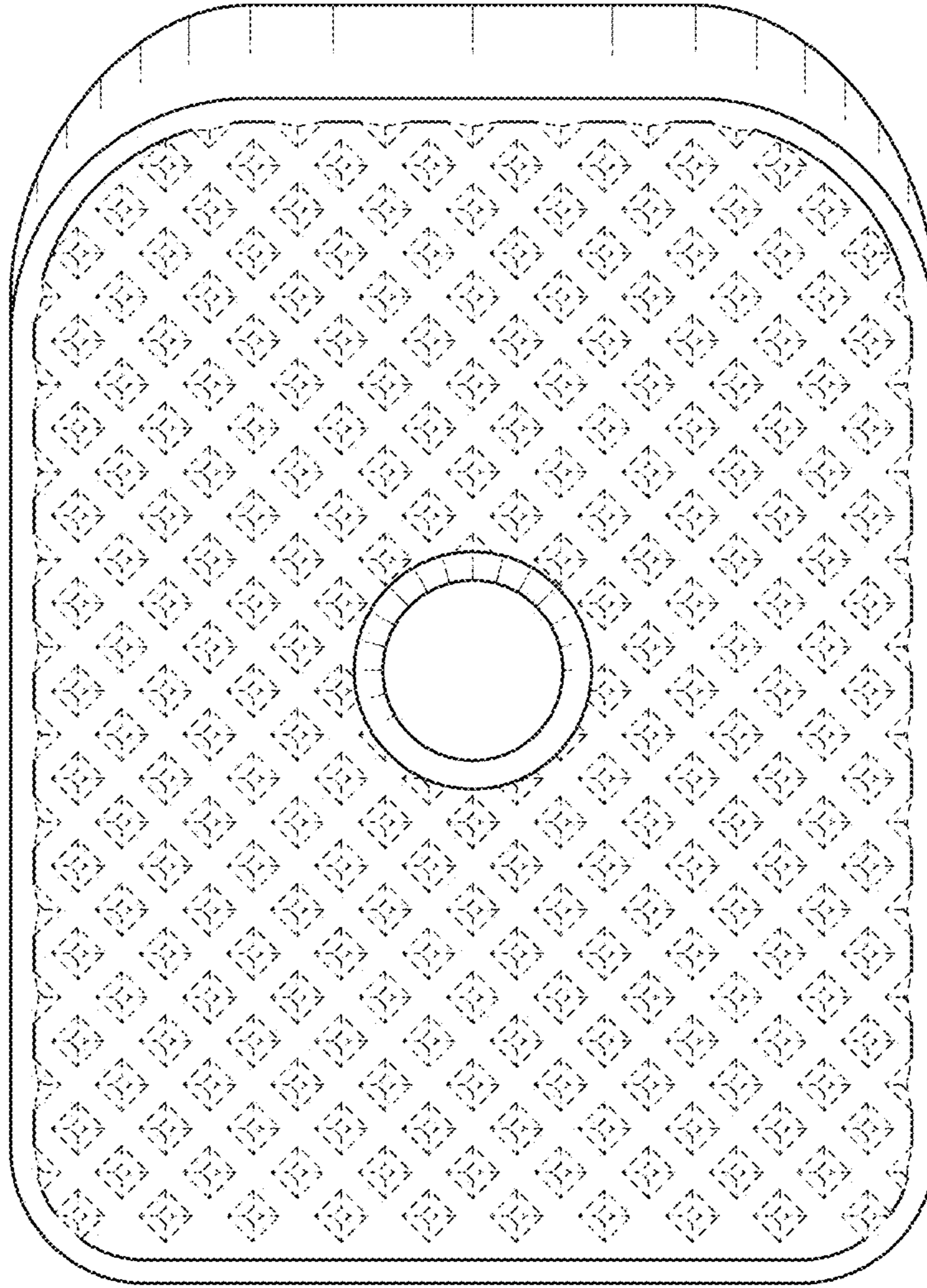


FIG. 7