



US00D889586S

(12) **United States Design Patent**
McLeroy et al.

(10) **Patent No.:** **US D889,586 S**
(45) **Date of Patent:** **** Jul. 7, 2020**

(54) **FIREARM CHASSIS**

(71) Applicant: **Daniel Defense, Inc.**, Black Creek, GA (US)

(72) Inventors: **Daniel McLeroy**, Savannah, GA (US);
Marvin C. Daniel, Pooler, GA (US)

(73) Assignee: **Daniel Defense, Inc.**, Black Creek, GA (US)

(**) Term: **15 Years**

(21) Appl. No.: **29/677,439**

(22) Filed: **Jan. 21, 2019**

(51) **LOC (12) Cl.** **22-01**

(52) **U.S. Cl.**
USPC **D22/108**

(58) **Field of Classification Search**
USPC D22/100, 103, 108, 109, 113, 115, 116,
D22/199; D21/302, 567, 573
CPC F41C 7/00; F41C 23/16; F41G 1/02; F41G
1/027; F41G 1/14; F41J 1/10; F42B 6/10;
F42B 7/00; F42B 7/02; F41A 17/38
See application file for complete search history.

(56) **References Cited**

U.S. PATENT DOCUMENTS

D709,980 S * 7/2014 Komatsu D22/108
8,832,987 B2 * 9/2014 Addis F41A 17/38
42/49.01
D764,005 S * 8/2016 Neil D22/108
D771,217 S * 11/2016 Bailey D22/109
9,513,077 B2 * 12/2016 Noro F41A 17/38
9,683,796 B2 * 6/2017 Addis F41A 9/64
D792,548 S * 7/2017 Daniel D22/108

D816,793 S * 5/2018 McCallum D22/108
D869,592 S * 12/2019 Macken D22/108
2013/0104440 A1 * 5/2013 Addis F41A 17/38
42/90

OTHER PUBLICATIONS

“Delta 5—Daniel Defense’s New Precision Bolt Action Rifle” [online]. Tom Beckstrand. [Published Jan. 20, 2019]. Retrieved from the Internet: <<https://www.gunsandammo.com/editorial/delta-5-daniel-defenses-new-precision-bolt-action-rifle/331104>>.*

“Gun Review: Proof Research Switch-Barrel” [online]. Richard A. Mann. [Published Dec. 5, 2018] Retrieved from the Internet: <<https://gundigest.com/rifles/proof-research-switch-barrel>>.*

* cited by examiner

Primary Examiner — Khawaja Anwar

Assistant Examiner — Mojtaba Tehrani

(74) *Attorney, Agent, or Firm* — Eversheds Sutherland (US) LLP

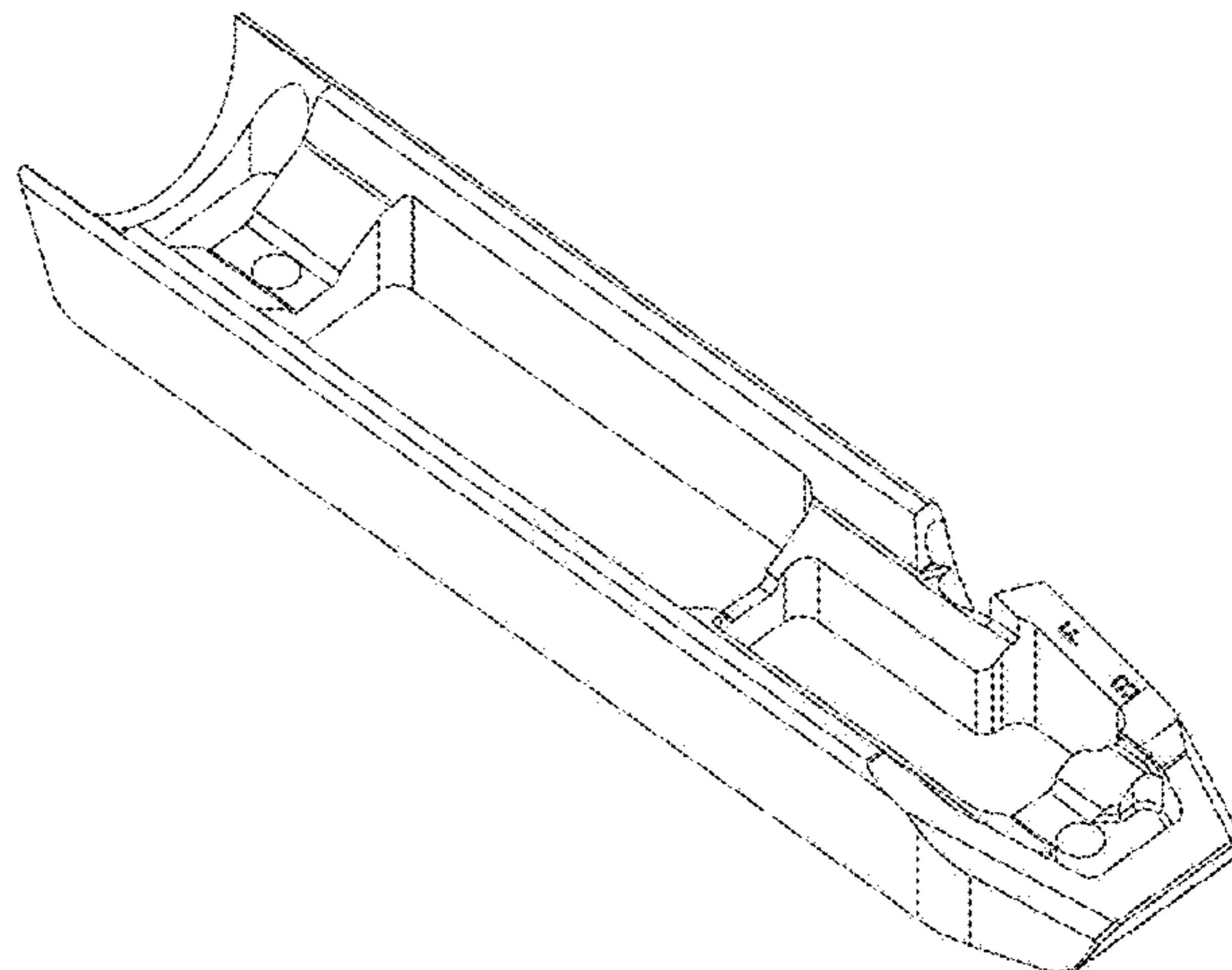
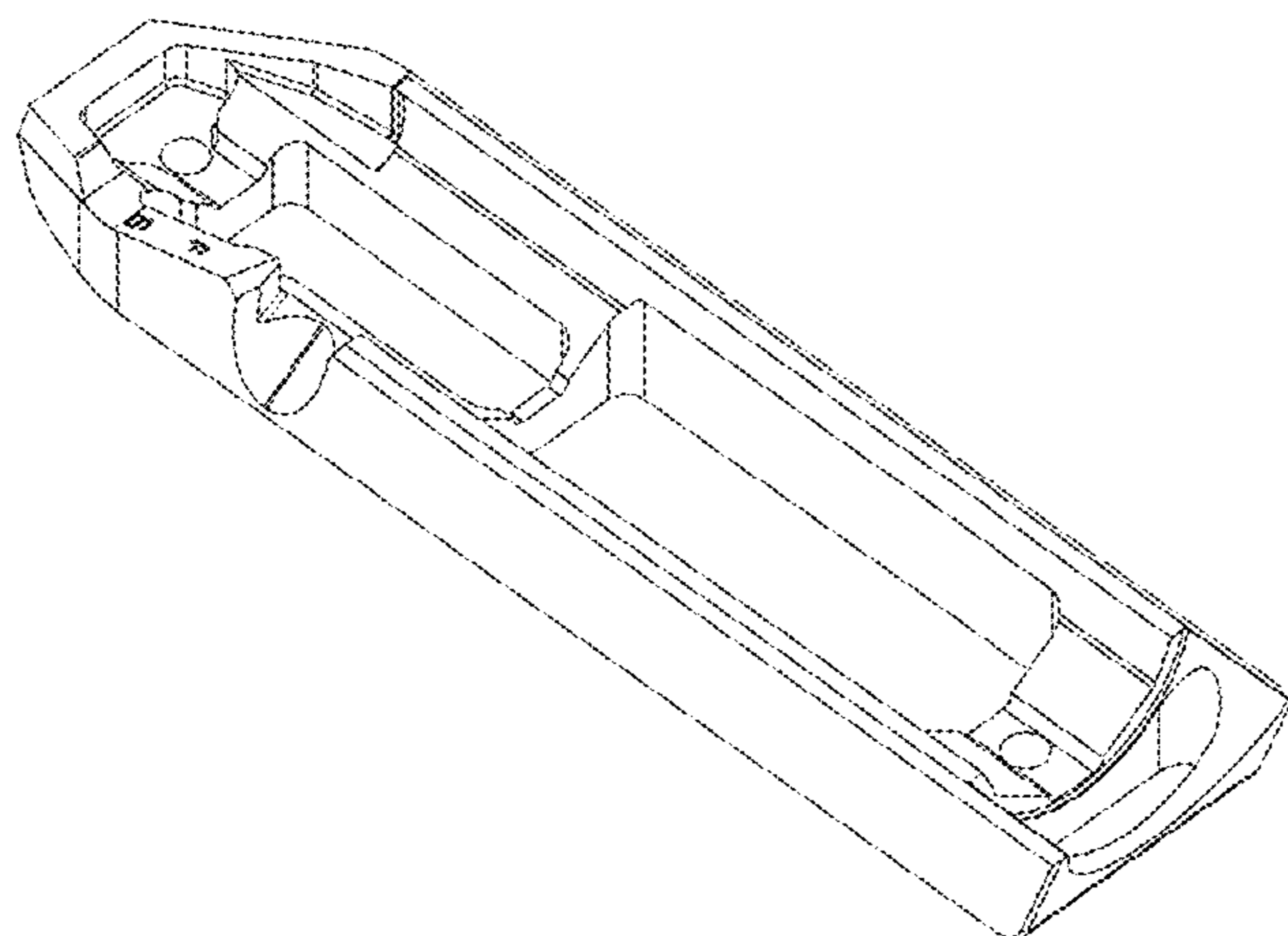
(57) **CLAIM**

We claim the ornamental design for a firearm chassis, as shown and described.

DESCRIPTION

FIG. 1 is a rear perspective view of a firearm chassis according to the disclosure;
FIG. 2 is a front perspective view thereof;
FIG. 3 is a front perspective view thereof;
FIG. 4 is a rear view thereof;
FIG. 5 is a front view thereof;
FIG. 6 is a side view thereof;
FIG. 7 is a side view thereof;
FIG. 8 is a top view thereof; and,
FIG. 9 is a bottom view thereof.

1 Claim, 9 Drawing Sheets



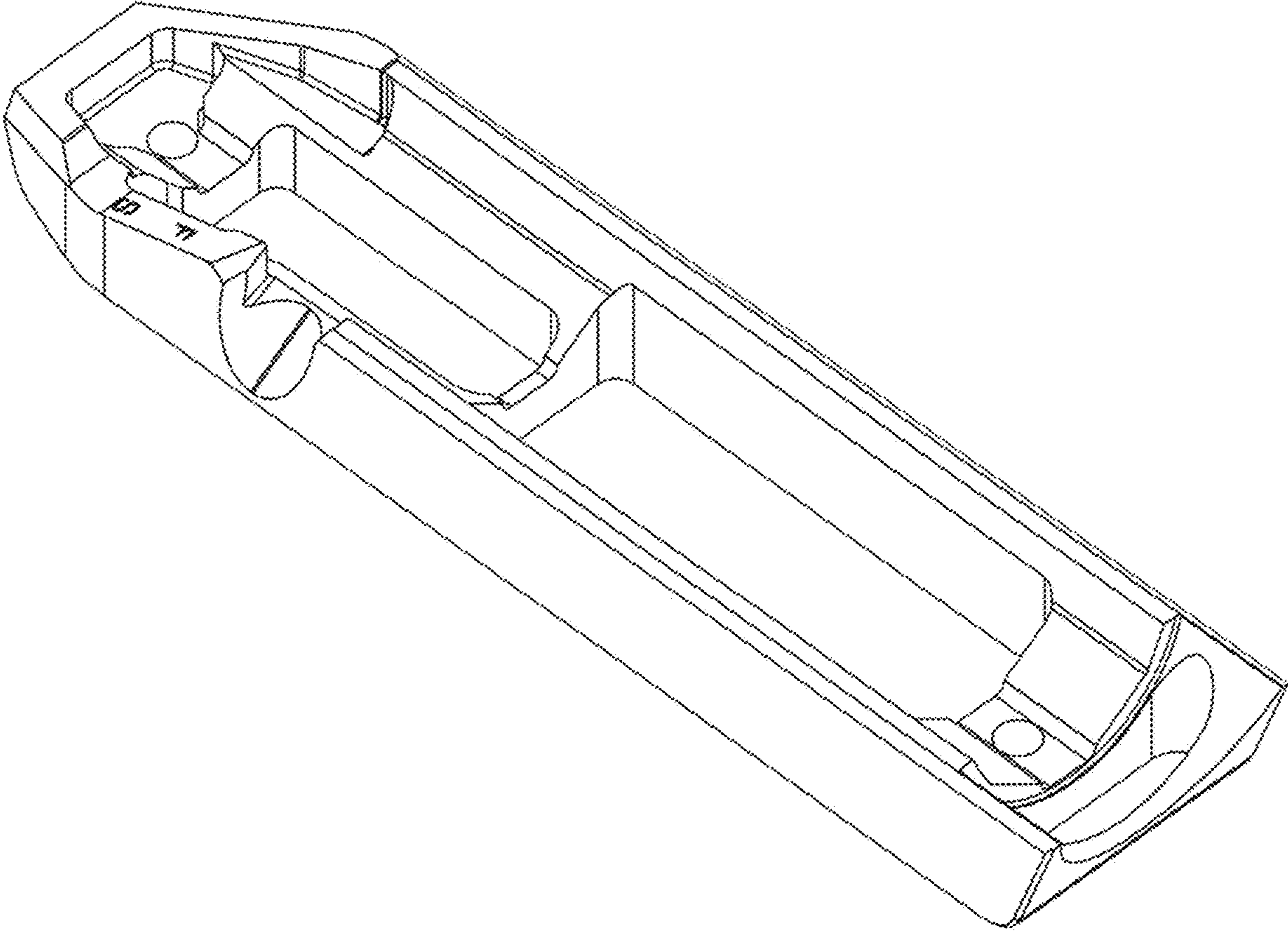


FIG. 1

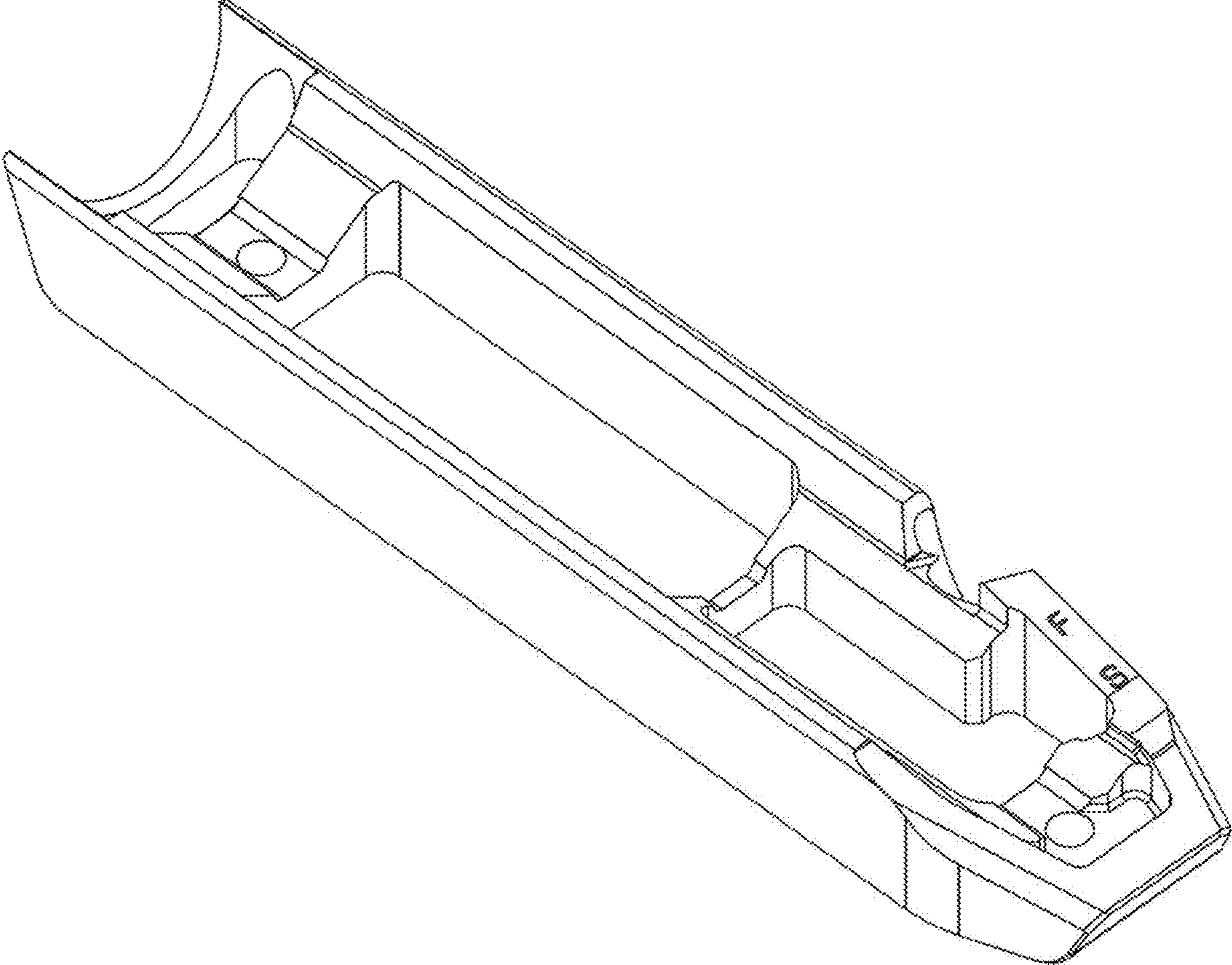


FIG. 2

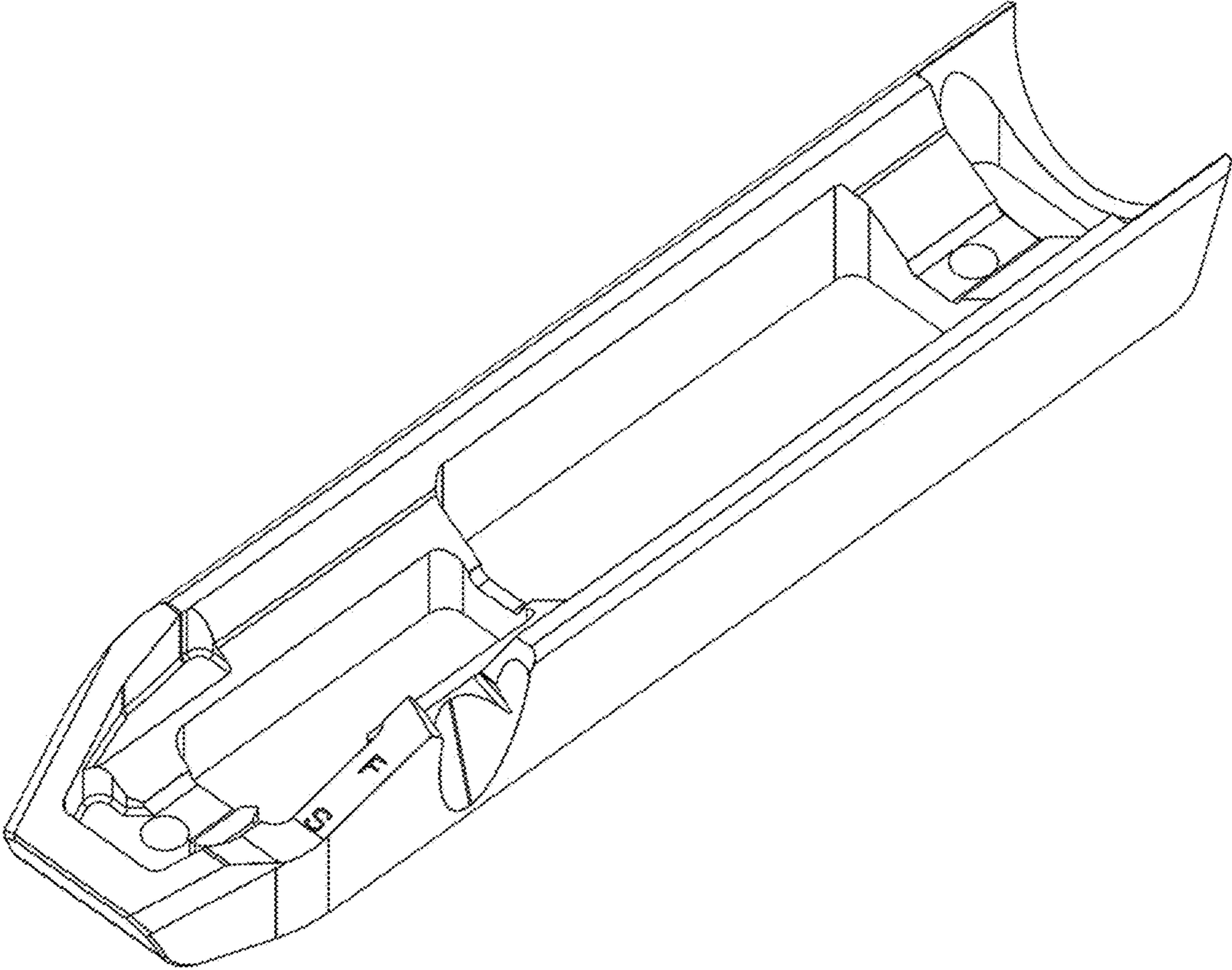


FIG. 3

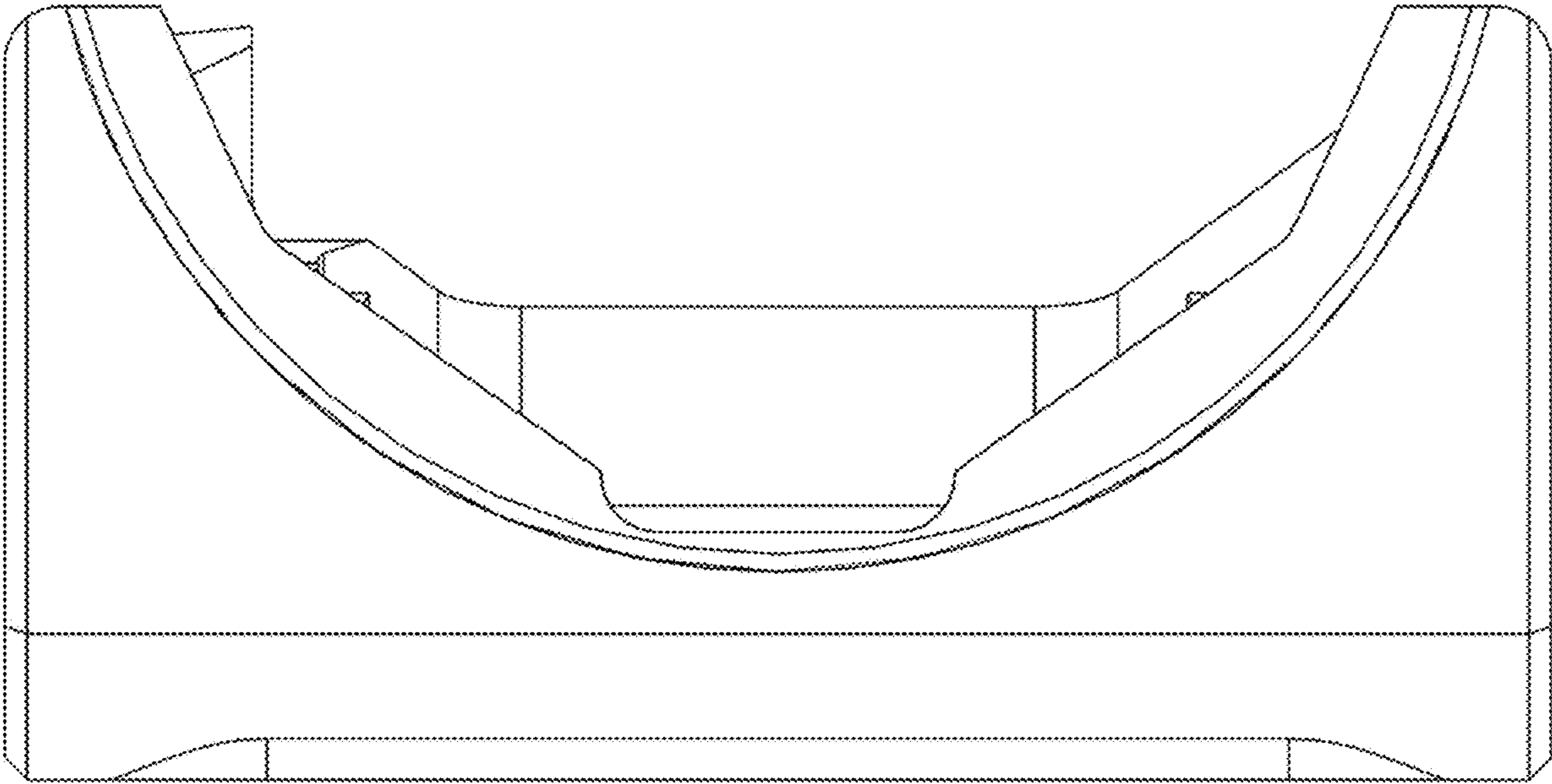


FIG. 4

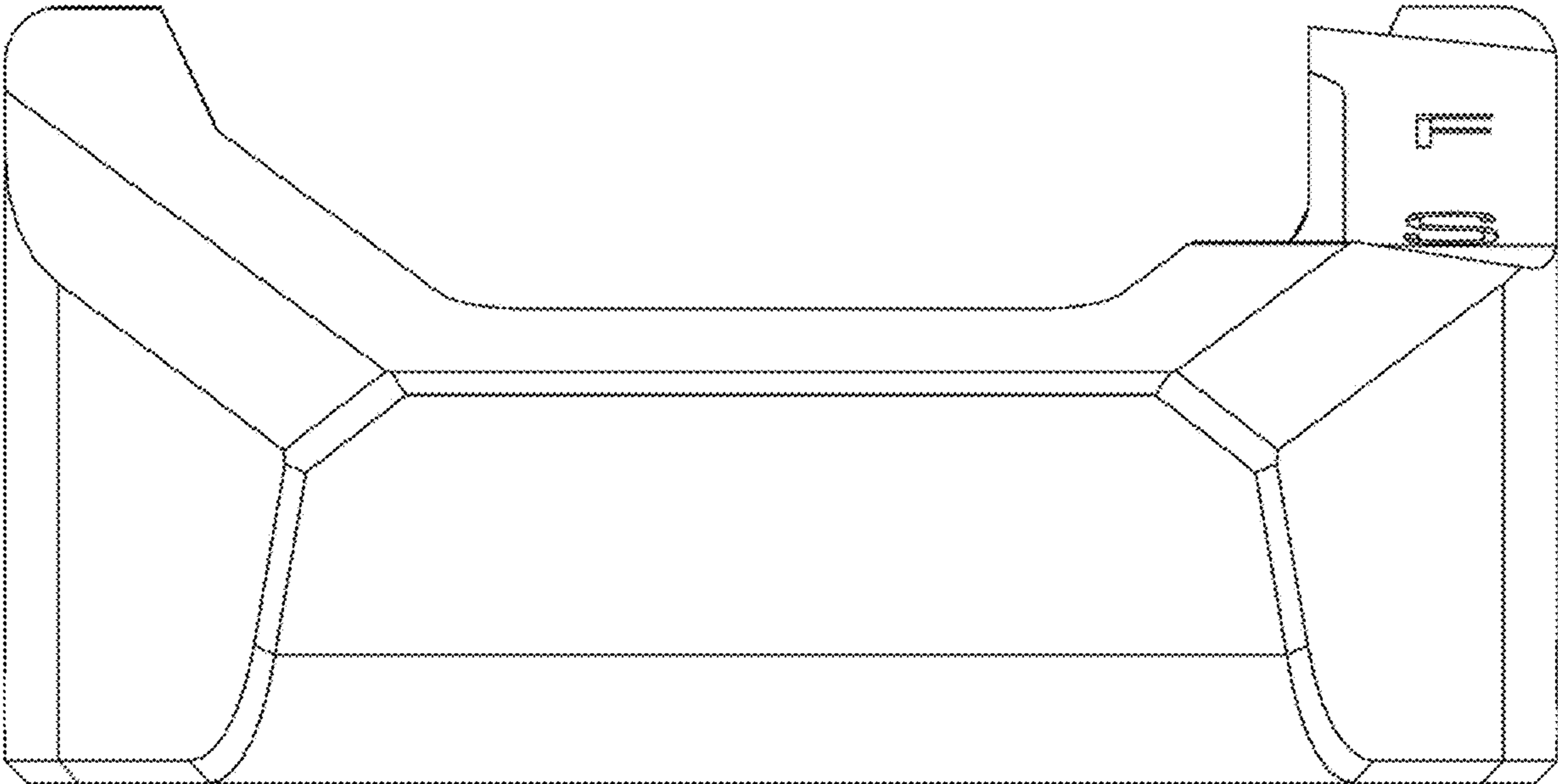


FIG. 5

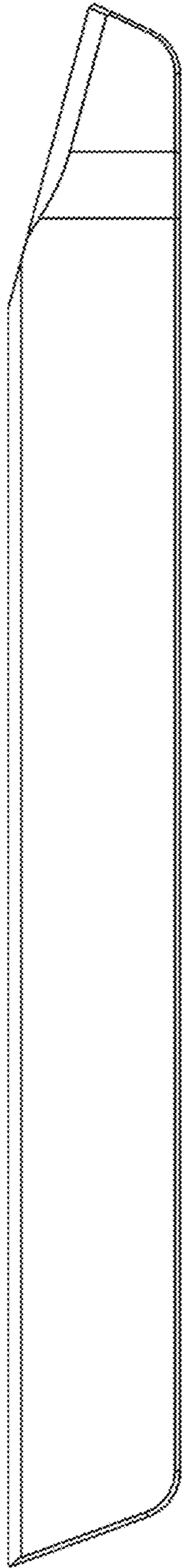


FIG. 6

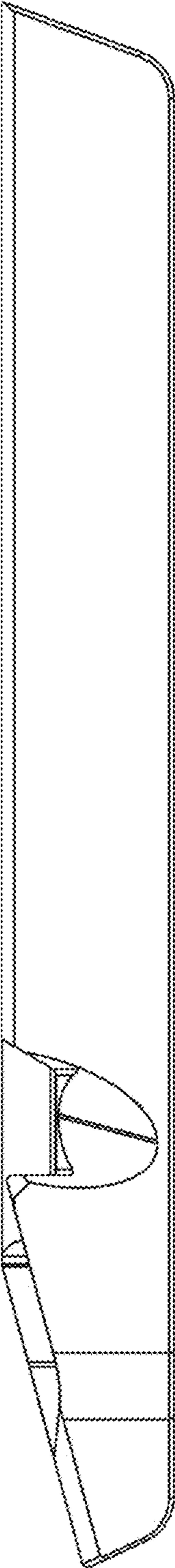


FIG. 7

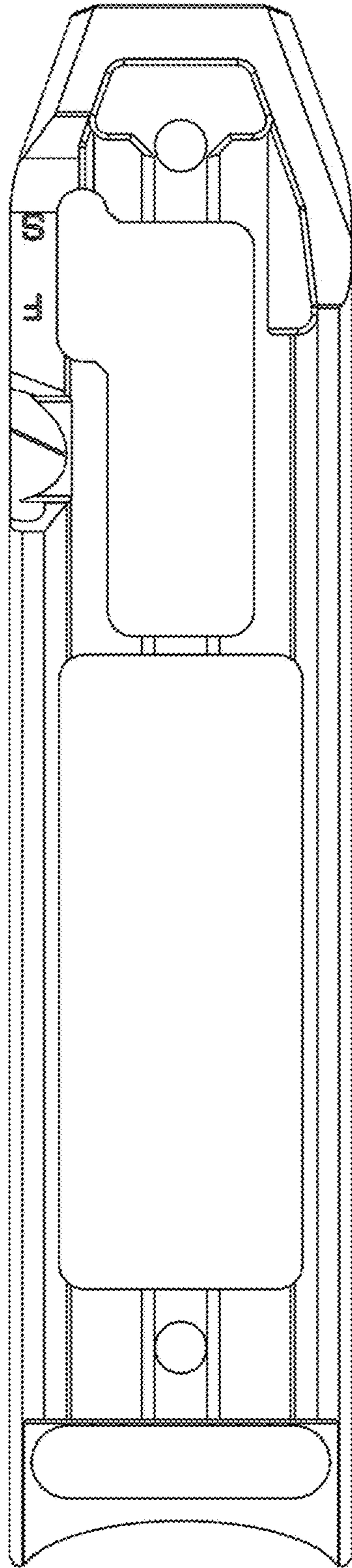


FIG. 8

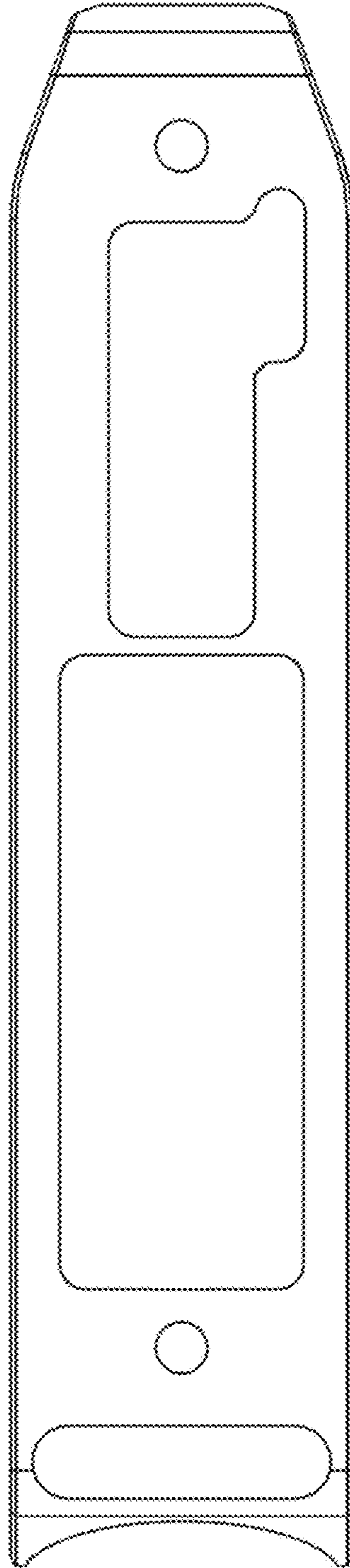


FIG. 9