



US00D889585S

(12) **United States Design Patent**
Odle

(10) **Patent No.:** **US D889,585 S**

(45) **Date of Patent:** **** Jul. 7, 2020**

(54) **MUZZLE DEVICE**

(71) Applicant: **General manufacturing, llc**, Columbia, MO (US)

(72) Inventor: **Nathan Odle**, Columbia, MO (US)

(73) Assignee: **General Manufacturing, LLC**, Columbia, MO (US)

(**) Term: **15 Years**

(21) Appl. No.: **29/677,408**

(22) Filed: **Jan. 20, 2019**

(51) **LOC (12) Cl.** **22-01**

(52) **U.S. Cl.**
USPC **D22/108**

(58) **Field of Classification Search**
USPC D22/108; D21/572-575
CPC F41A 21/34; F41A 21/325; F41A 21/32;
F41A 21/28
See application file for complete search history.

(56) **References Cited**

U.S. PATENT DOCUMENTS

D515,169 S * 2/2006 Bounds D22/108
D666,687 S * 9/2012 Nierenberg D22/108

D692,086 S * 10/2013 Nierenberg D22/108
D694,355 S * 11/2013 Hormann D22/108
D711,491 S * 8/2014 Nierenberg D22/108
D729,894 S * 5/2015 DeLuca D22/108
D733,828 S * 7/2015 Larson, Jr. D22/108
D765,210 S * 8/2016 Sui D22/108
D835,226 S * 12/2018 Haman D22/108

* cited by examiner

Primary Examiner — Michael A. Pratt

(74) *Attorney, Agent, or Firm* — Brett M. Maland

(57) **CLAIM**

The ornamental design for a muzzle device, as shown and described.

DESCRIPTION

FIG. 1 is a side perspective view of a muzzle device showing the new design;

FIG. 2 is a side view thereof;

FIG. 3 is a top view thereof; and,

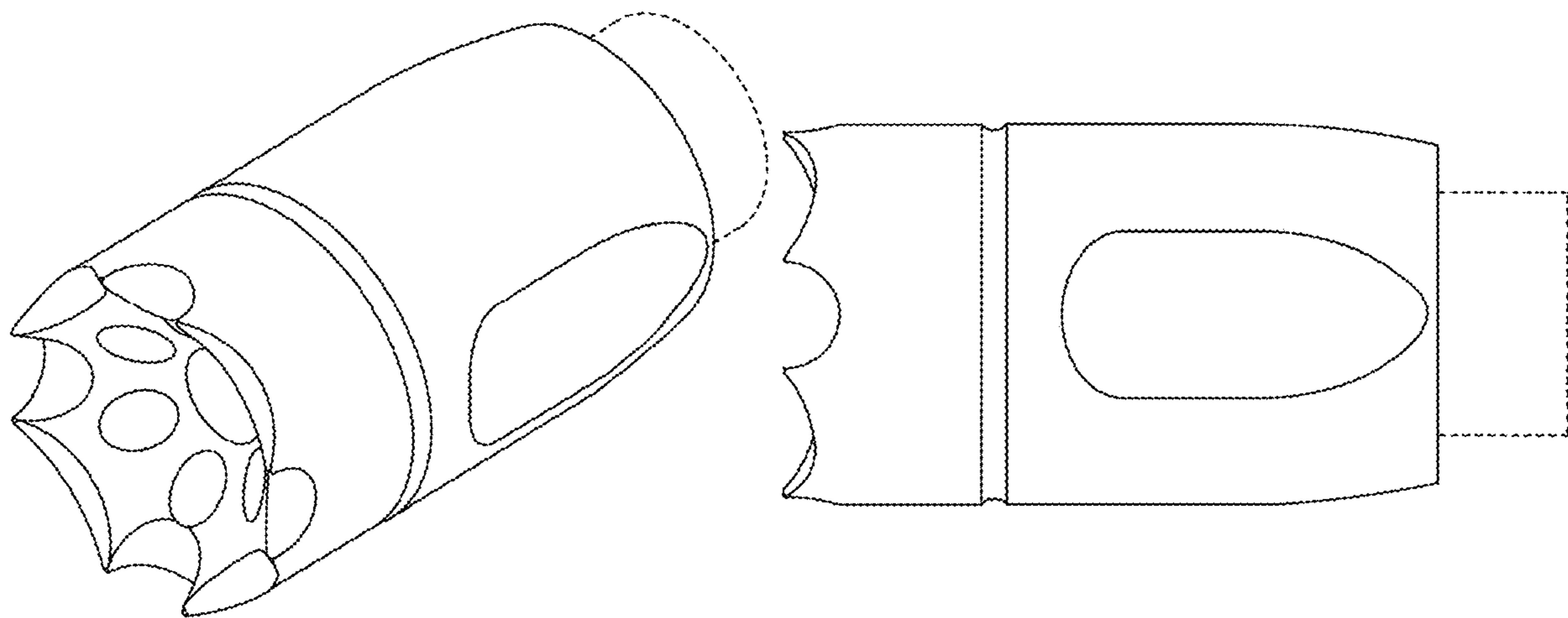
FIG. 4 is a front view thereof.

The new design appears the same as in FIG. 2 on the other side view.

The new design appears the same as in FIG. 3 on the bottom view.

The broken lines in the Figures show portions of the new design that form no part of the claimed design.

1 Claim, 4 Drawing Sheets



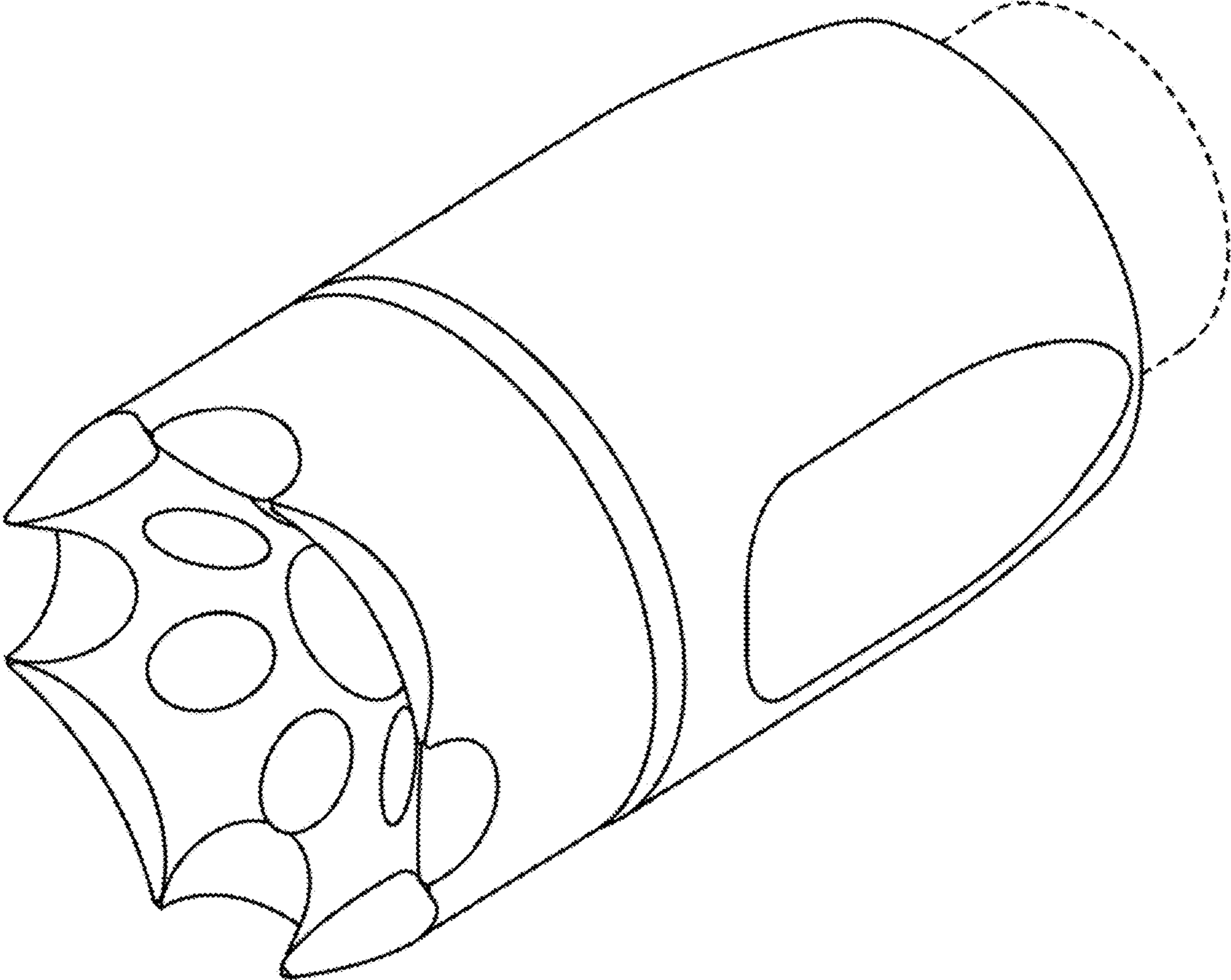


FIG. 1

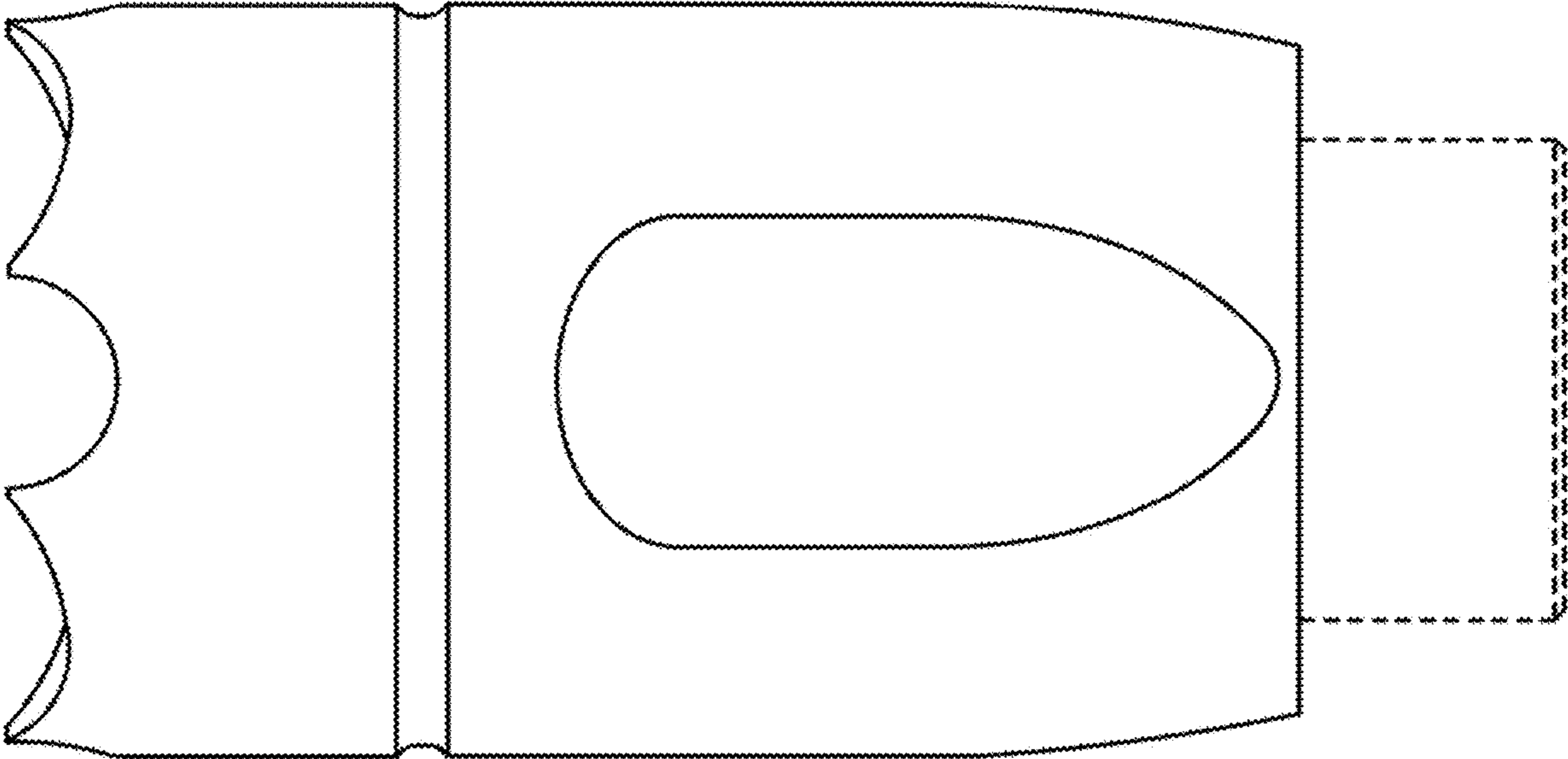


FIG. 2

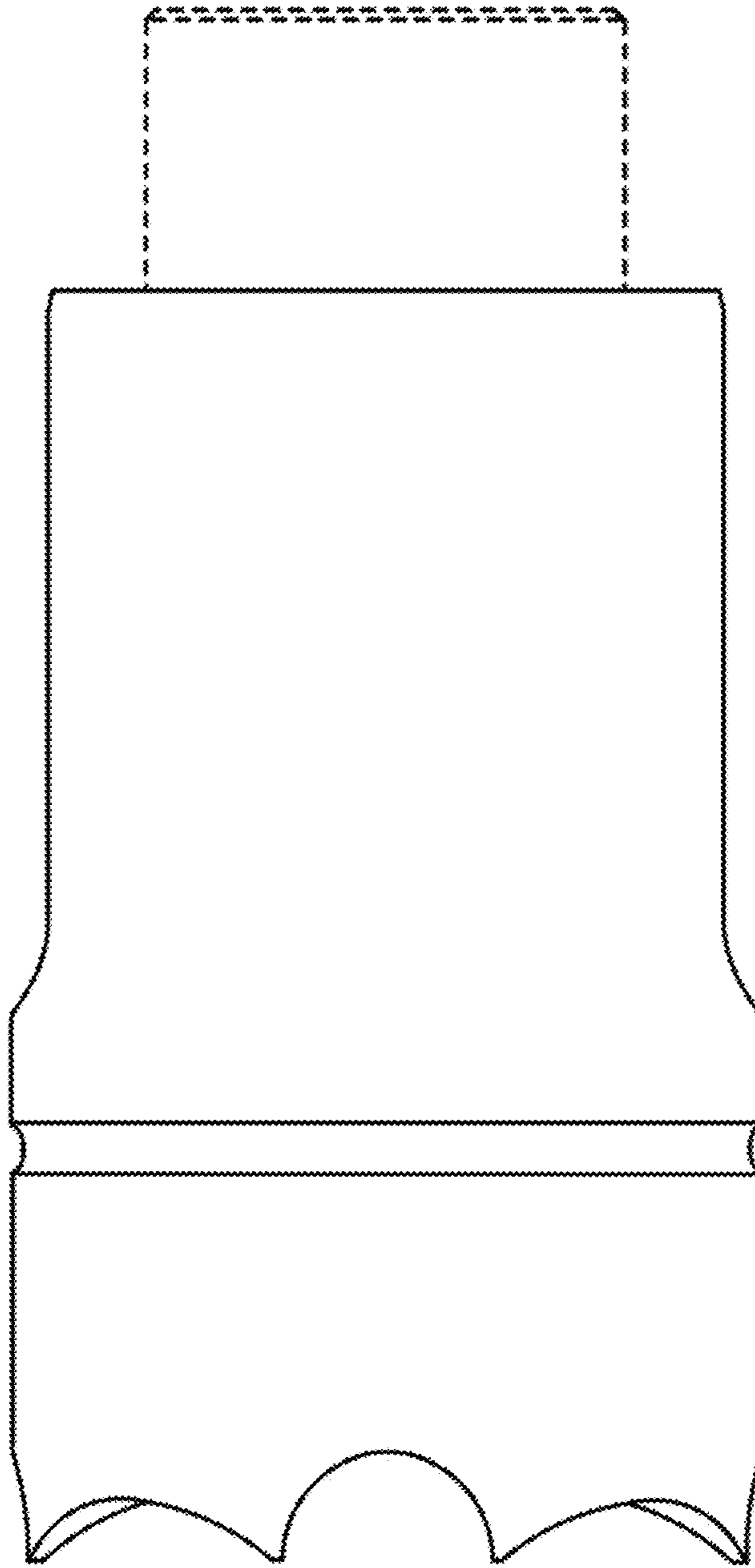


FIG. 3

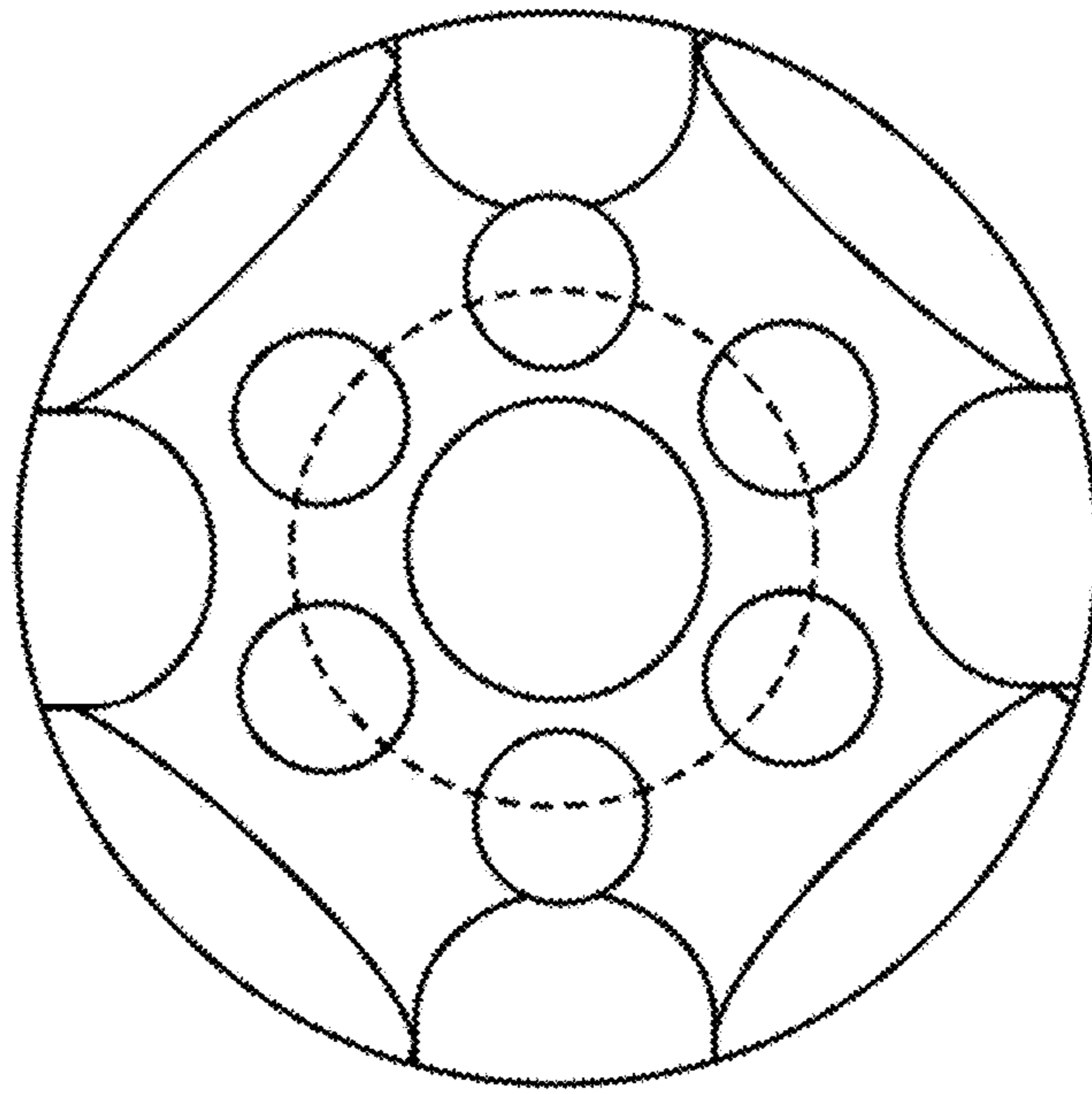


FIG. 4