



US00D889584S

(12) **United States Design Patent**
Cahill et al.

(10) **Patent No.:** **US D889,584 S**

(45) **Date of Patent:** **** Jul. 7, 2020**

(54) **COLLAPSIBLE RIFLE STOCK**

(71) Applicants: **Jeffrey Matthew Cahill**, Tucson, AZ
(US); **Charles L. Lasky**, Port
Washington, WI (US)

(72) Inventors: **Jeffrey Matthew Cahill**, Tucson, AZ
(US); **Charles L. Lasky**, Port
Washington, WI (US)

(73) Assignee: **TangoDown, Inc.**, Tuscon, AZ (US)

(**) Term: **15 Years**

(21) Appl. No.: **29/677,377**

(22) Filed: **Jan. 18, 2019**

(51) **LOC (12) Cl.** **22-01**

(52) **U.S. Cl.**
USPC **D22/108**

(58) **Field of Classification Search**
USPC D22/108; D21/572-573
CPC F41C 23/04; F41C 23/14; F41C 23/06;
F41C 23/22; F41C 33/007
See application file for complete search history.

(56) **References Cited**

U.S. PATENT DOCUMENTS

D636,833 S * 4/2011 Mayberry D22/108
D738,981 S * 9/2015 Zusman D22/108

D745,622 S * 12/2015 Zusman D22/108
D747,427 S * 1/2016 Zusman D22/108
D828,476 S * 9/2018 Smith D22/108
D852,919 S * 7/2019 Taylor D22/108
D872,215 S * 1/2020 Overstreet D22/108

* cited by examiner

Primary Examiner — Michael A. Pratt

(74) *Attorney, Agent, or Firm* — Crump Law P.C.

(57) **CLAIM**

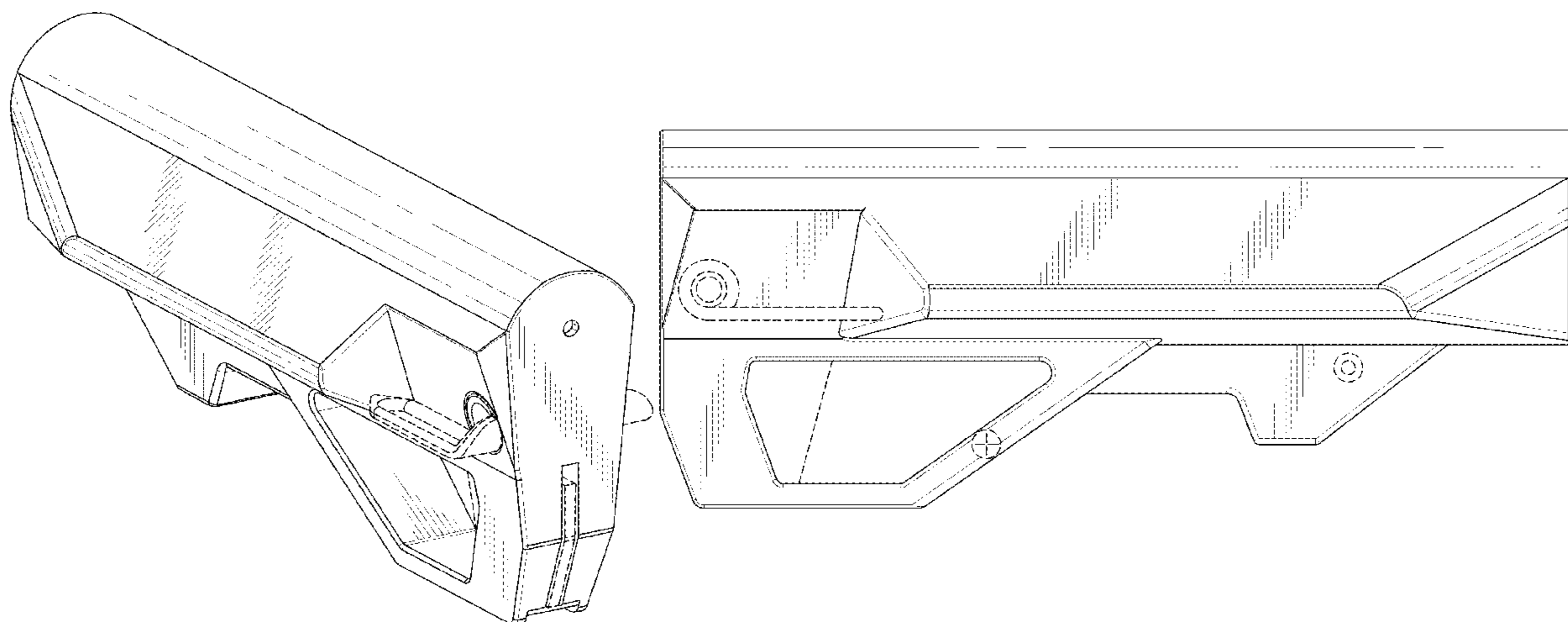
We claim the ornamental design of a collapsible rifle stock,
as shown and described.

DESCRIPTION

FIG. 1 is a perspective view of a collapsible rifle stock
showing our design;
FIG. 2 is a left side view thereof;
FIG. 3 is a right side view thereof;
FIG. 4 is a top view thereof;
FIG. 5 is a bottom view thereof;
FIG. 6 is a front view thereof; and,
FIG. 7 is a rear view thereof.

The broken lines in the drawings represent features, which
are illustrated only for the purpose of understanding the
design, and form no part of the claimed design.

1 Claim, 6 Drawing Sheets



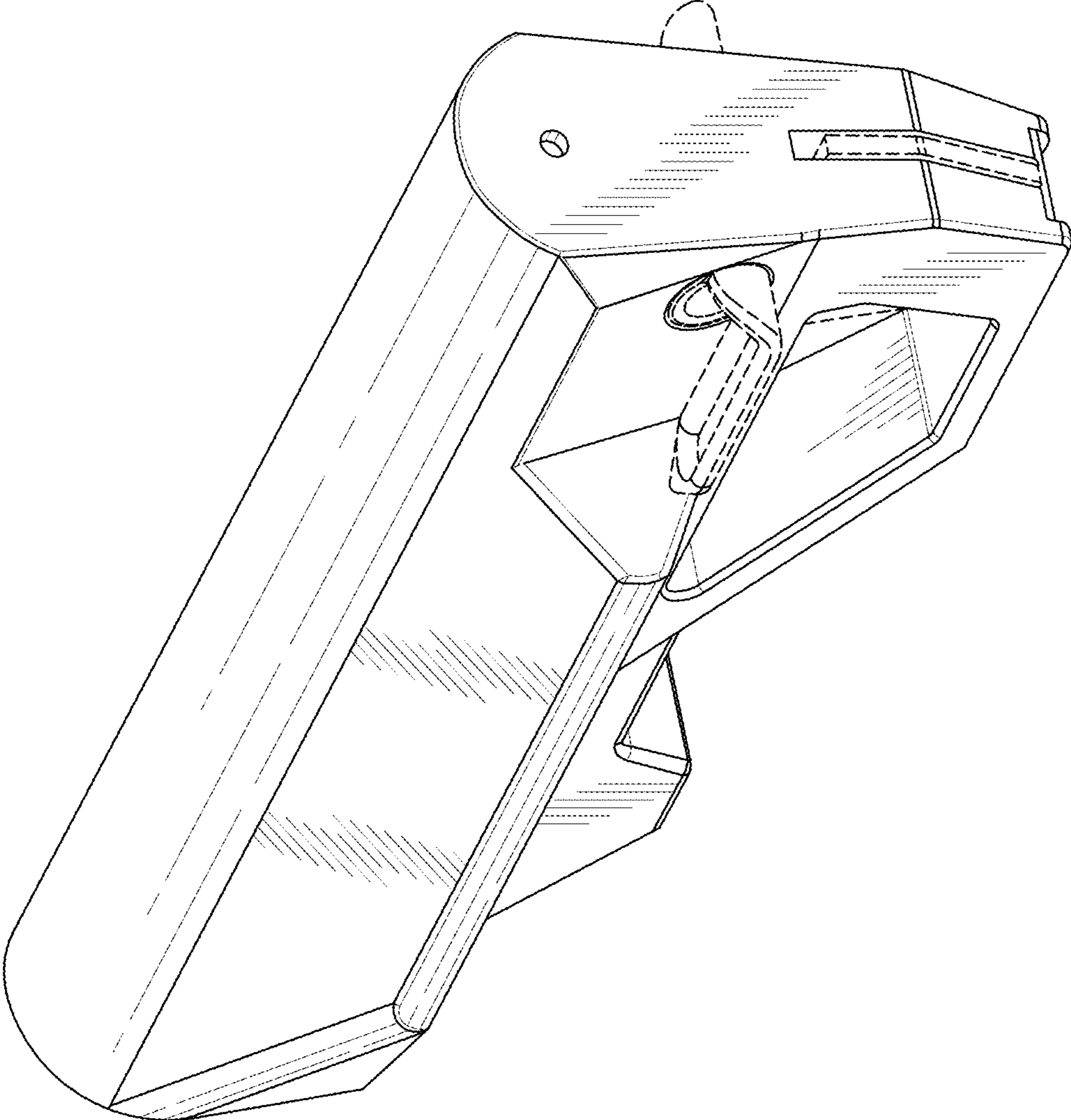


Fig. 1

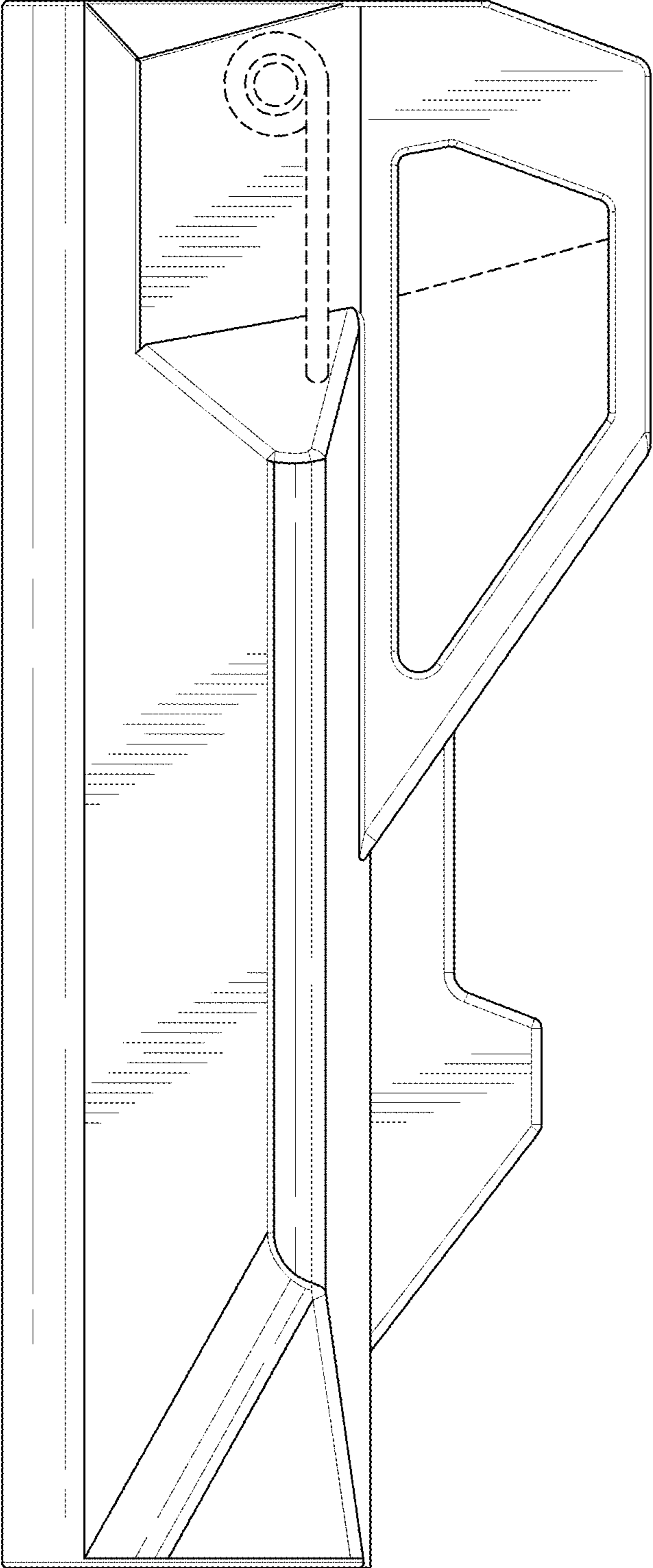


Fig. 2

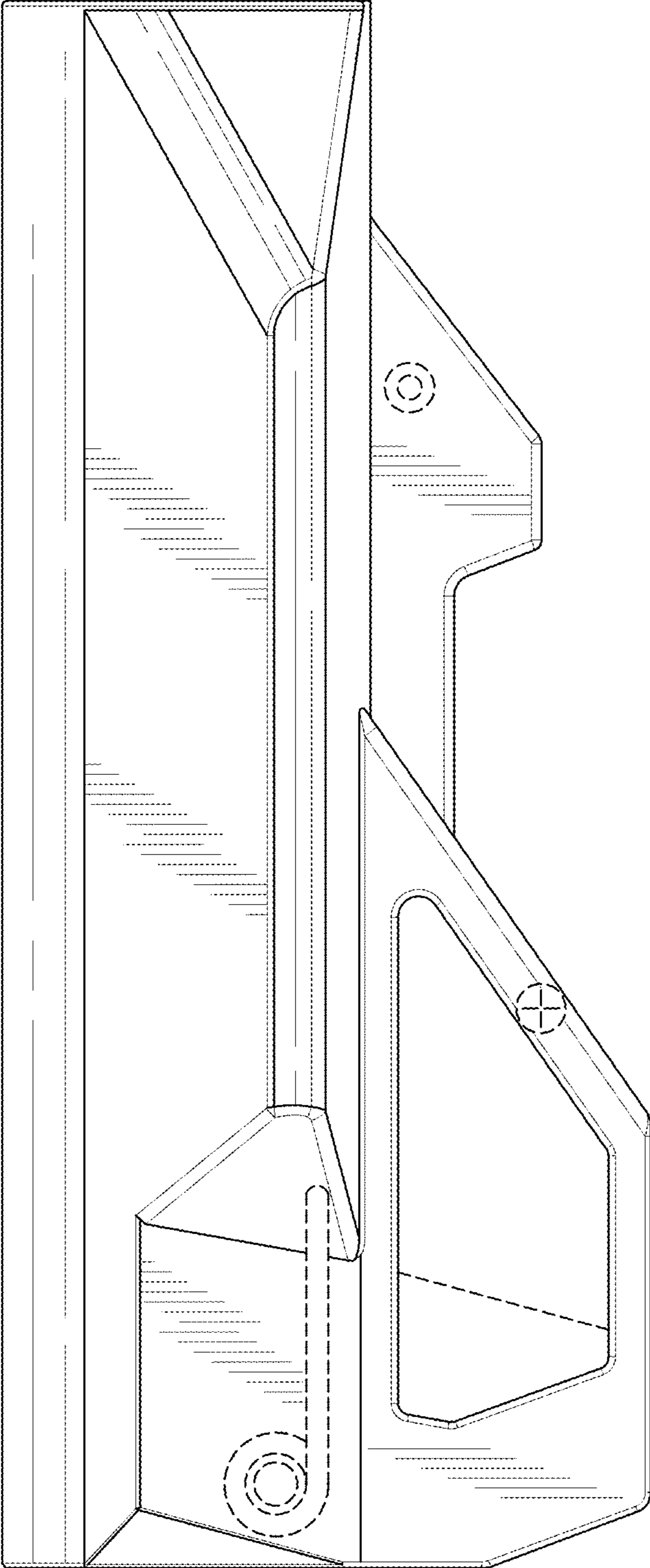


Fig. 3

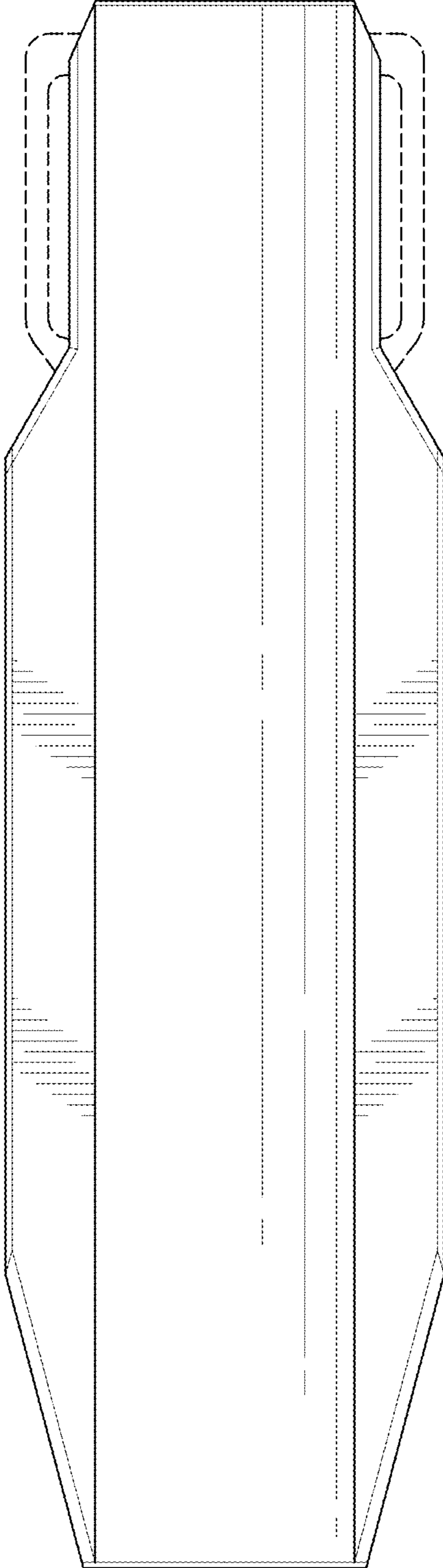


Fig. 4

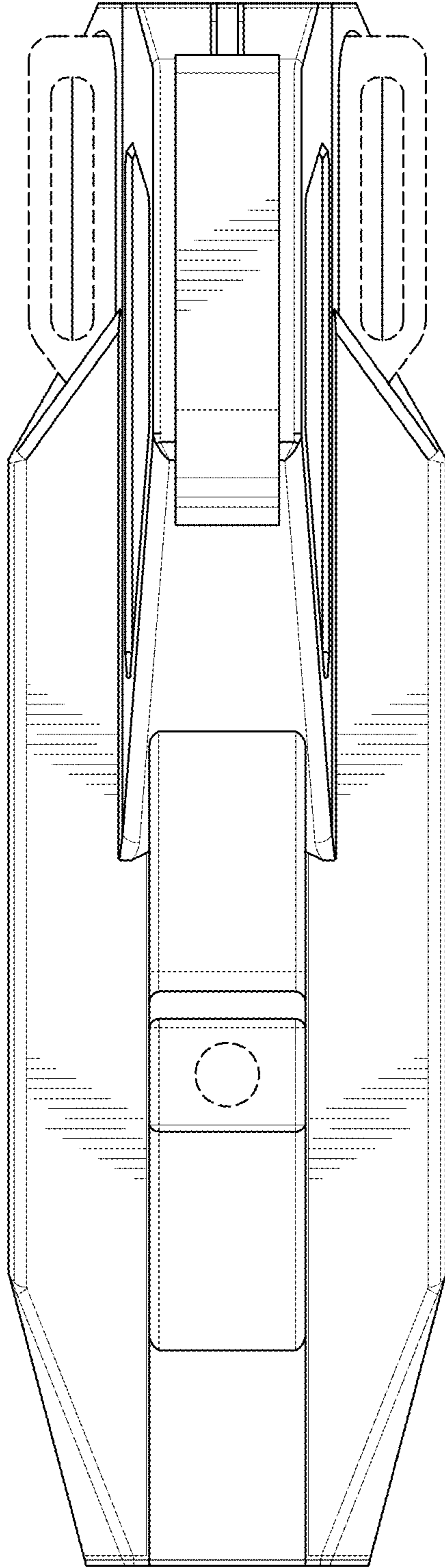


Fig. 5

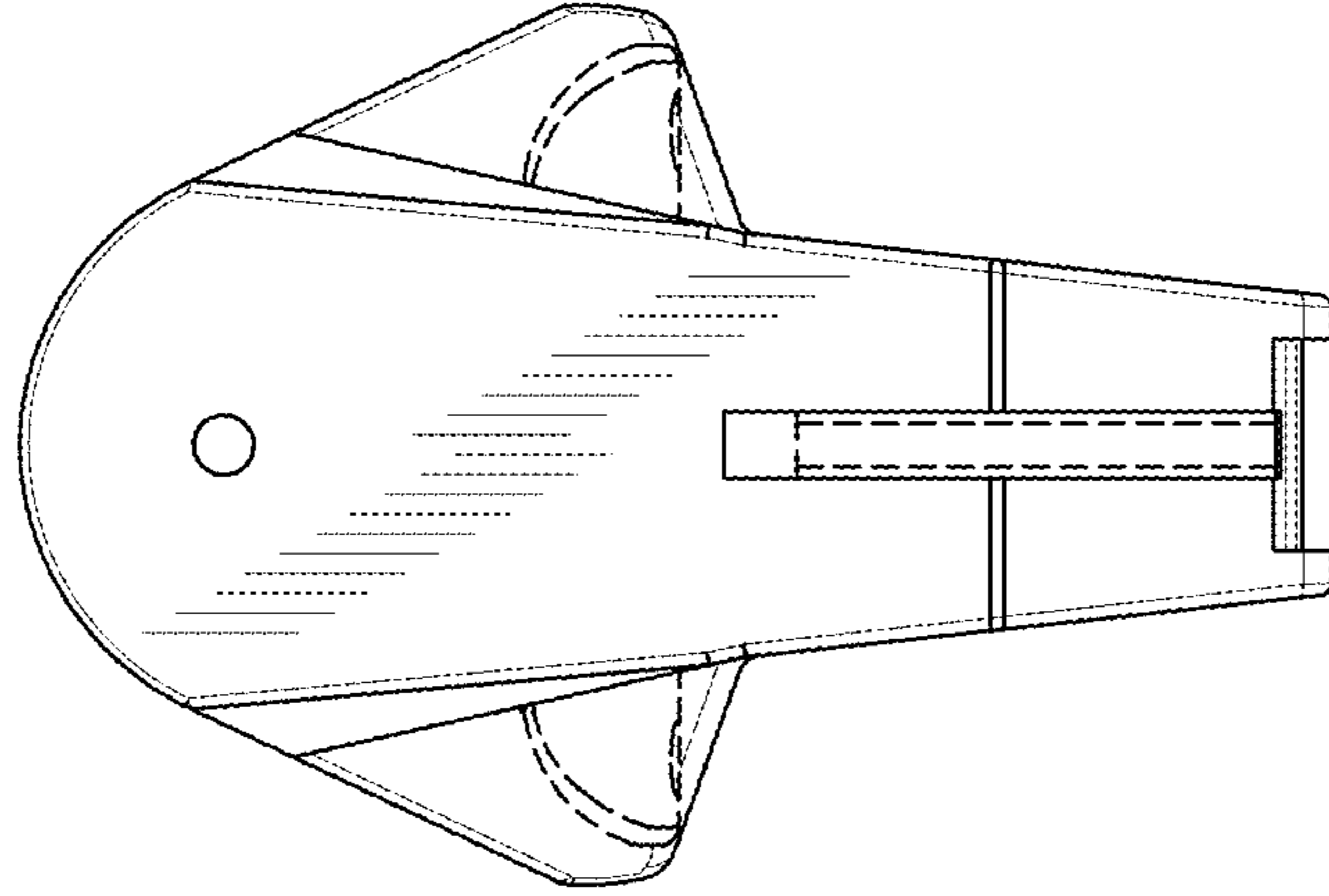


Fig. 7

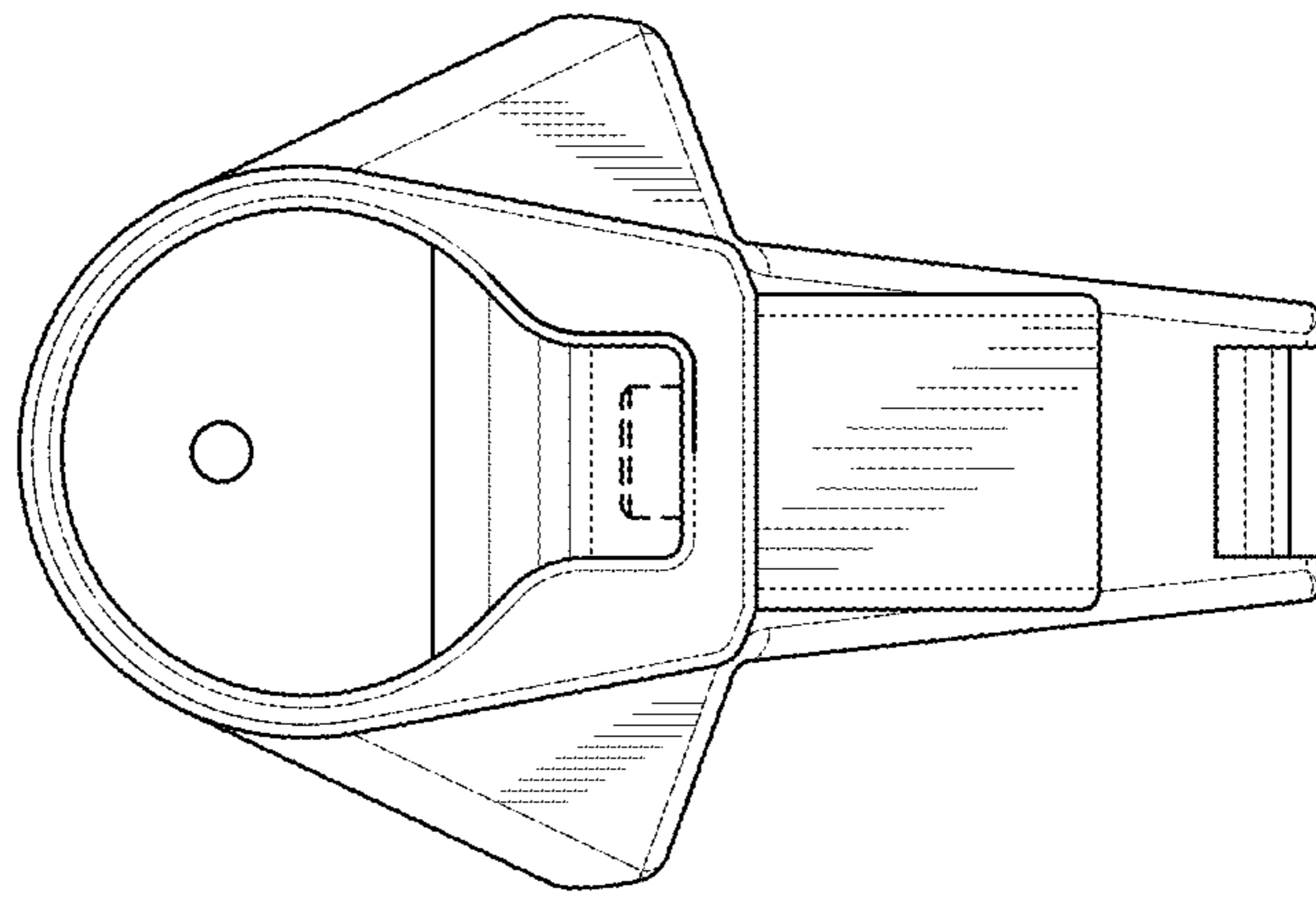


Fig. 6