



US00D889580S

(12) **United States Design Patent** (10) **Patent No.:** **US D889,580 S**  
**Peterson et al.** (45) **Date of Patent:** **\*\* Jul. 7, 2020**

(54) **DOMED AND DIMPLED GOLF BALL MARKER**

5,305,999 A 4/1994 Tate  
D361,558 S 8/1995 Siano, Jr.  
5,437,446 A \* 8/1995 Youngkin ..... A63B 69/3676  
473/409

(71) Applicant: **On Point Ball Marker LLC**, Basalt, CO (US)

(Continued)

(72) Inventors: **Briston Peterson**, Basalt, CO (US);  
**James Joseph Verna**, Basalt, CO (US)

FOREIGN PATENT DOCUMENTS

(73) Assignee: **On Point Ball Marker LLC**, Basalt, CO (US)

CA 2920230 A1 2/2015  
KR 20080005443 U 11/2008  
KR 20090058485 A 6/2009

(\*\*) Term: **15 Years**

OTHER PUBLICATIONS

(21) Appl. No.: **29/672,877**

U.S. Appl. No. 16/358,265, Non final Office Action dated Mar. 31, 2020, 15 pp.

(22) Filed: **Dec. 10, 2018**

*Primary Examiner* — Mitchell I. Siegel  
(74) *Attorney, Agent, or Firm* — Lathrop GPM LLP

**Related U.S. Application Data**

(63) Continuation-in-part of application No. 29/655,568, filed on Jul. 5, 2018, now Pat. No. Des. 872,817.

(51) **LOC (12) Cl.** ..... **21-02**

(52) **U.S. Cl.**  
USPC ..... **D21/794**

(58) **Field of Classification Search**  
USPC ..... D21/793–794, 789  
CPC ..... A63B 57/353; A63B 57/207; A63B 57/00;  
A63B 57/30; A63B 57/35; A63B 57/50  
See application file for complete search history.

(57) **CLAIM**

The ornamental design for a domed and dimpled golf ball maker, as shown and described.

**DESCRIPTION**

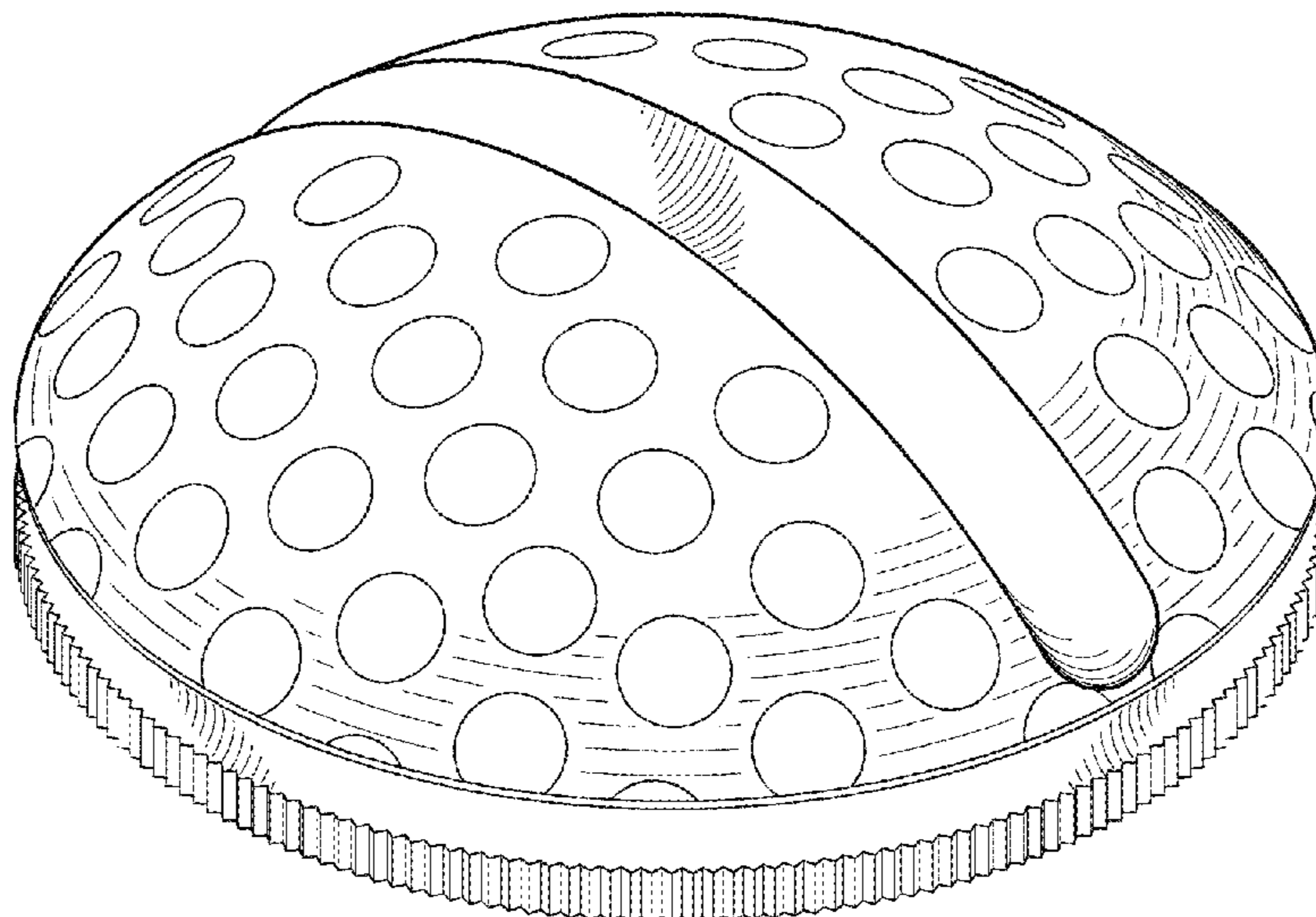
FIG. 1 is a perspective view of a domed and dimpled golf ball marker in accordance with the new design;  
FIG. 2 is an exploded perspective view with the dome removed for clarity if illustration;  
FIG. 3 is a top plan view of FIG. 1;  
FIG. 4 is a bottom plan view of FIG. 1;  
FIG. 5 is a front elevational view of FIG. 1;  
FIG. 6 is a side elevational view of FIG. 1;  
FIG. 7 is a perspective view of a second embodiment of the domed and dimpled golf ball marker in accordance with the new design;  
FIG. 8 is a top plan view of FIG. 5;  
FIG. 9 is a front elevational view of FIG. 5; and,  
FIG. 10 is a side elevational view of FIG. 5.  
The broken lines shown on FIGS. 1-10 are included for the purpose of illustrating unclaimed subject matter and forms no part of the claimed design.

(56) **References Cited**

U.S. PATENT DOCUMENTS

1,541,504 A 6/1925 Hunter  
1,558,078 A 10/1925 Darby  
1,789,525 A \* 1/1931 Hoff ..... E01F 9/553  
404/15  
3,099,450 A 7/1963 Randall  
3,540,735 A 11/1970 Miller  
D220,769 S 5/1971 LaHue  
4,128,238 A 12/1978 Newcomb  
4,858,925 A 8/1989 Destefano, Jr.

**1 Claim, 5 Drawing Sheets**



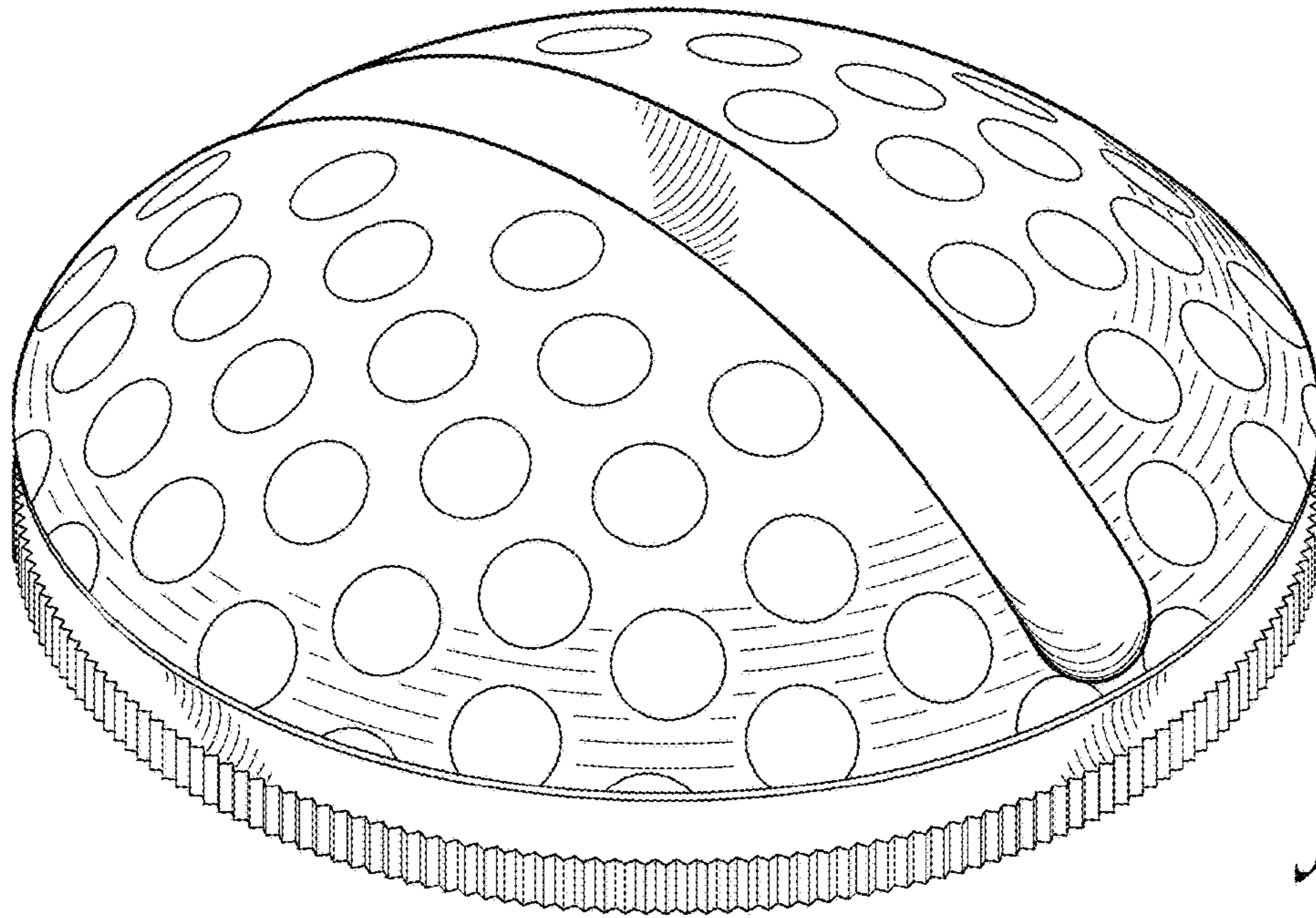
(56)

References Cited

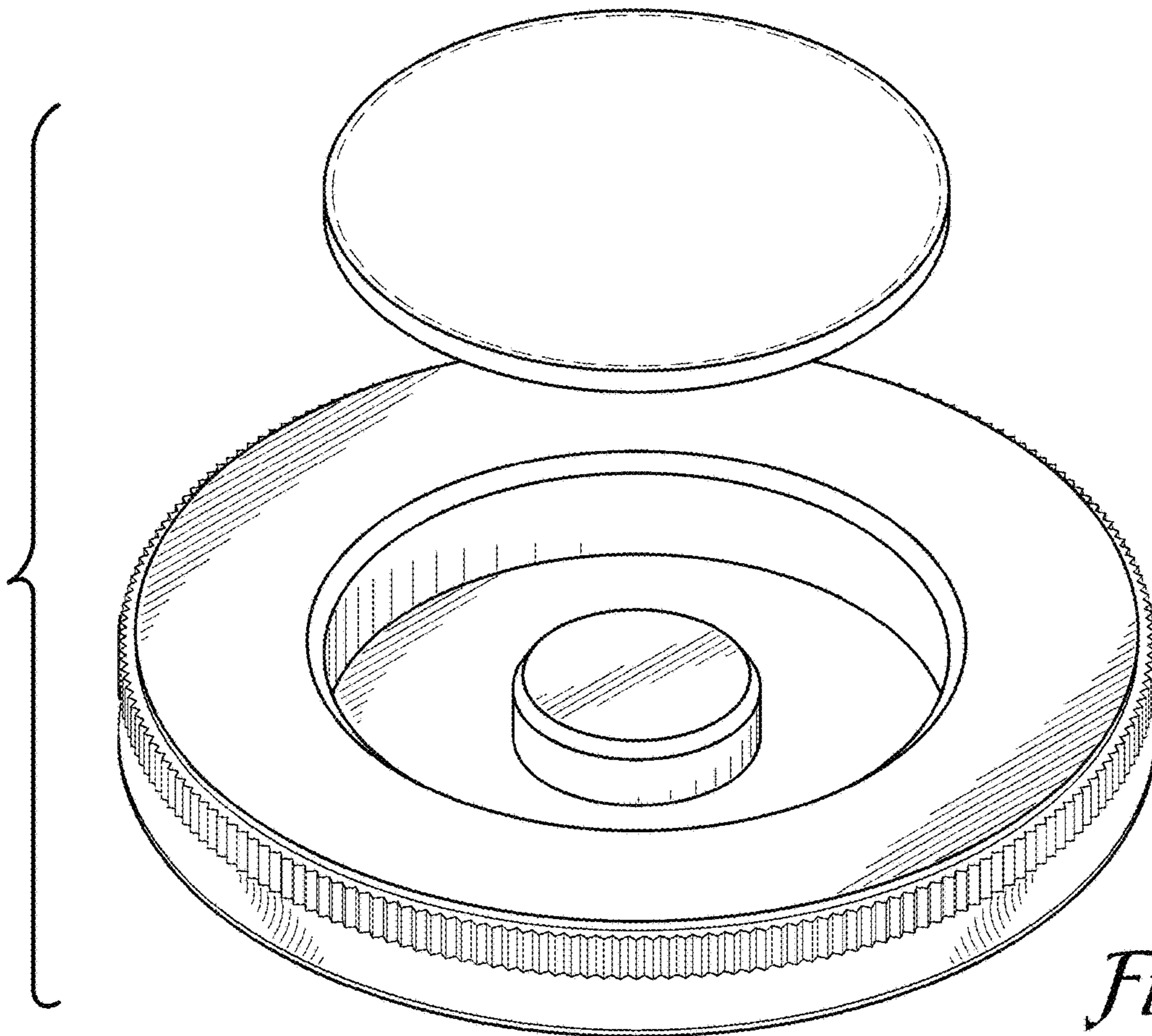
U.S. PATENT DOCUMENTS

5,476,258 A	12/1995	Frisone		7,654,920 B2 *	2/2010	Perry	.....	A63B 45/02
5,478,612 A	12/1995	Hack						473/408
D373,115 S	8/1996	Logan		D616,953 S *	6/2010	Shinki	.....	D21/794
D378,516 S	3/1997	Smith		D622,799 S *	8/2010	Cameron	.....	A63B 59/50
5,743,180 A *	4/1998	Arnke	.....					D21/794
5,795,248 A	8/1998	Giglio		7,819,762 B2	10/2010	Bernal-Silva		
D400,440 S	11/1998	Tucker		D632,351 S	2/2011	Scott		
6,077,174 A *	6/2000	Noritake	.....	7,922,605 B2	4/2011	Lim		
				8,016,698 B2 *	9/2011	Cameron	.....	A63B 57/50
6,095,933 A	8/2000	Smith						473/406
6,125,747 A *	10/2000	Elliott	.....	8,057,326 B2	11/2011	Woodbury		
				D654,539 S	2/2012	Hobbs		
6,422,955 B1	7/2002	Lopez		D661,761 S *	6/2012	Cameron	.....	D21/794
D503,085 S	3/2005	McGrath, Jr.		8,216,091 B2	7/2012	Neal		
D526,239 S	8/2006	Porter		D704,291 S *	5/2014	Snyder	.....	D21/794
D527,066 S	8/2006	Greiner		D721,152 S *	1/2015	Kokoska	.....	D21/794
D540,902 S	4/2007	Regalado		D741,972 S	10/2015	McDevitt		
D554,725 S *	11/2007	Park	.....	D816,178 S	4/2018	Goserud		
D588,670 S	3/2009	Walz		D837,325 S	1/2019	Dardenne		
7,549,930 B2	6/2009	Rice		D849,508 S	5/2019	Shorr		
D605,719 S	12/2009	Bernal-Silva		D872,817 S *	1/2020	Peterson	.....	D21/794
D607,527 S	1/2010	Bernal-Silva		2011/0053711 A1	3/2011	Trafford		
				2012/0210615 A1	8/2012	Coney		
				2015/0065271 A1	3/2015	Peterson		
				2017/0087436 A1	3/2017	Peterson		
				2017/0164152 A1	6/2017	Rosenthal		
				2018/0345101 A1	12/2018	Youn		

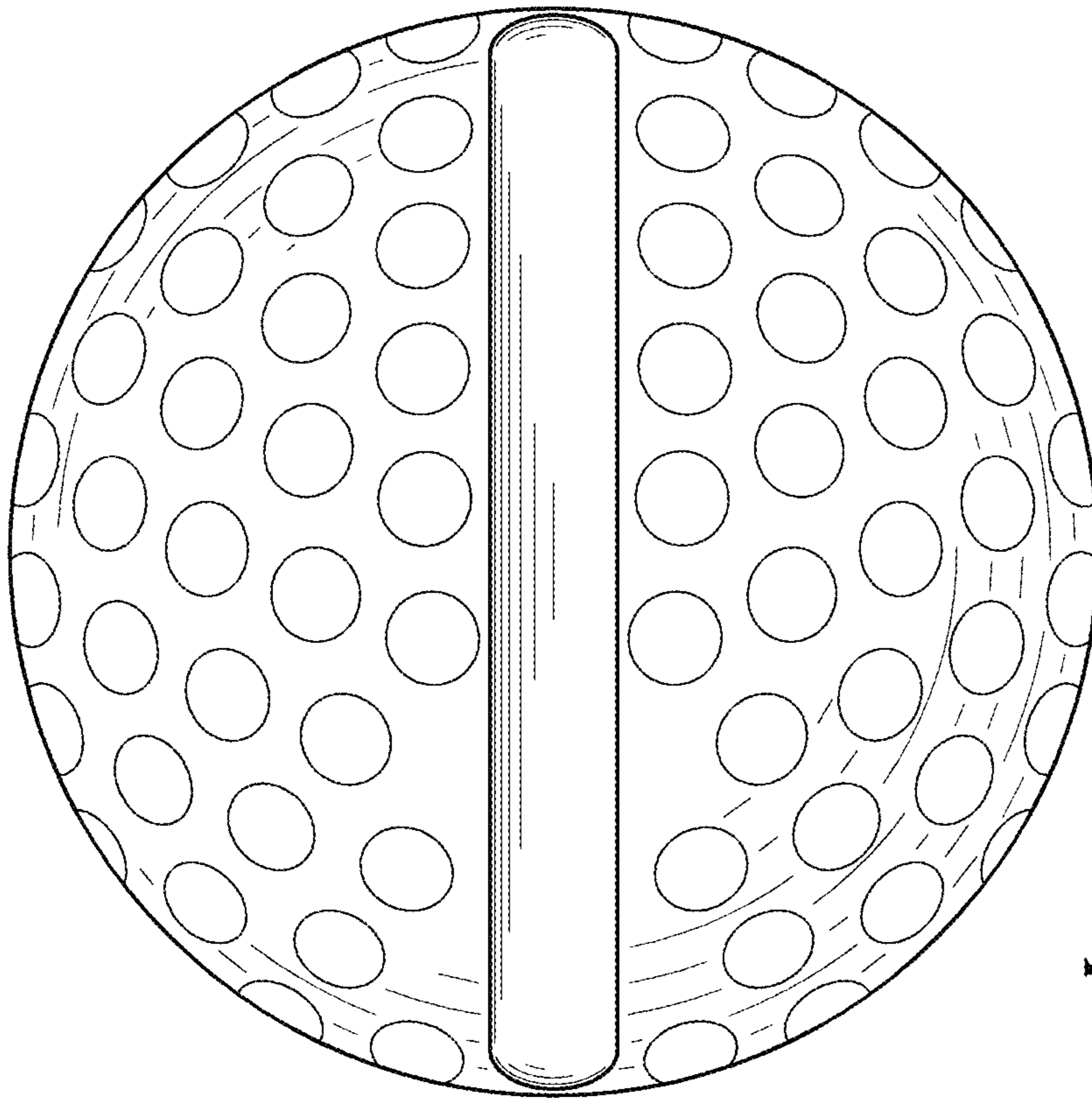
\* cited by examiner



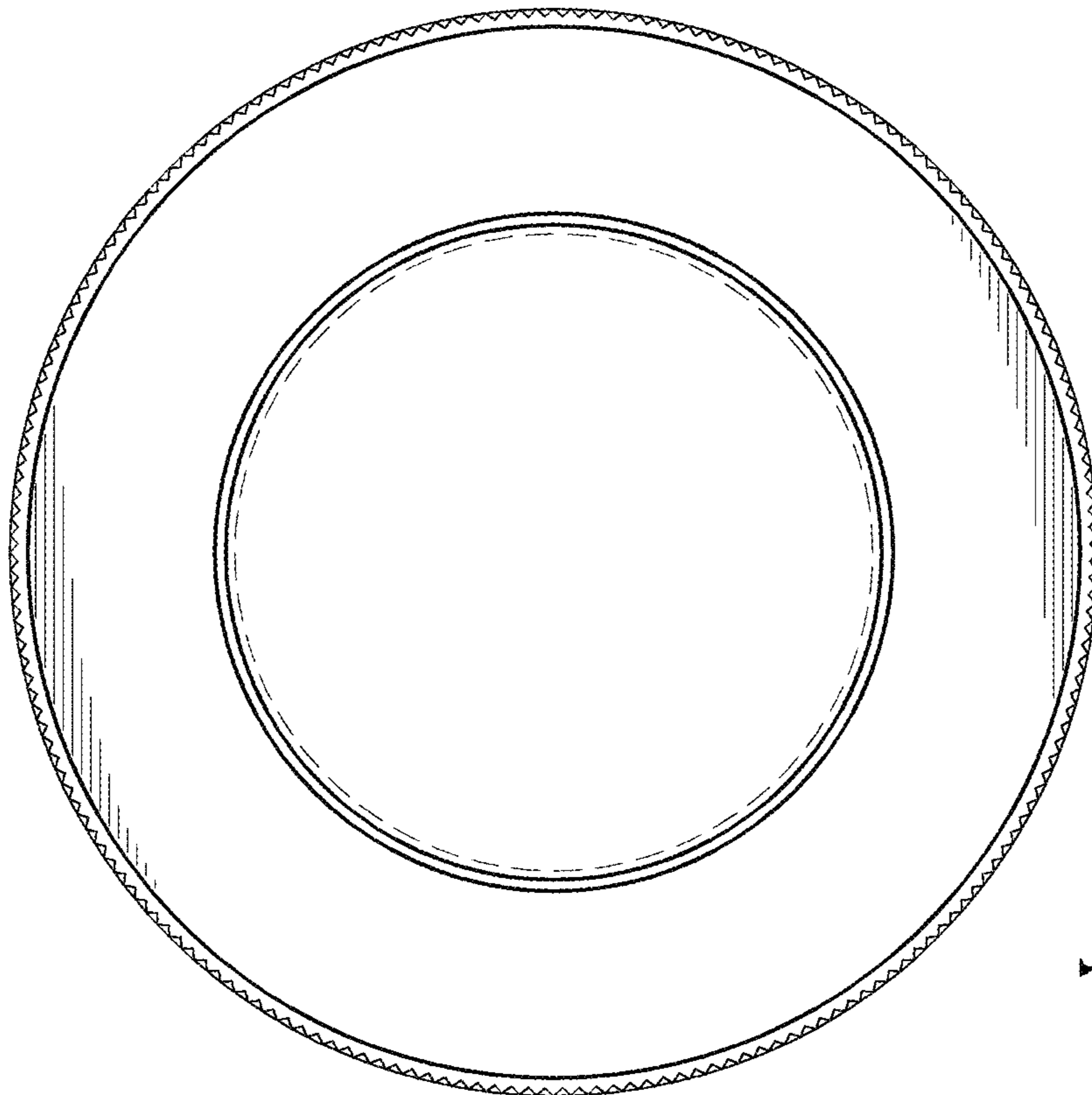
*Fig. 1*



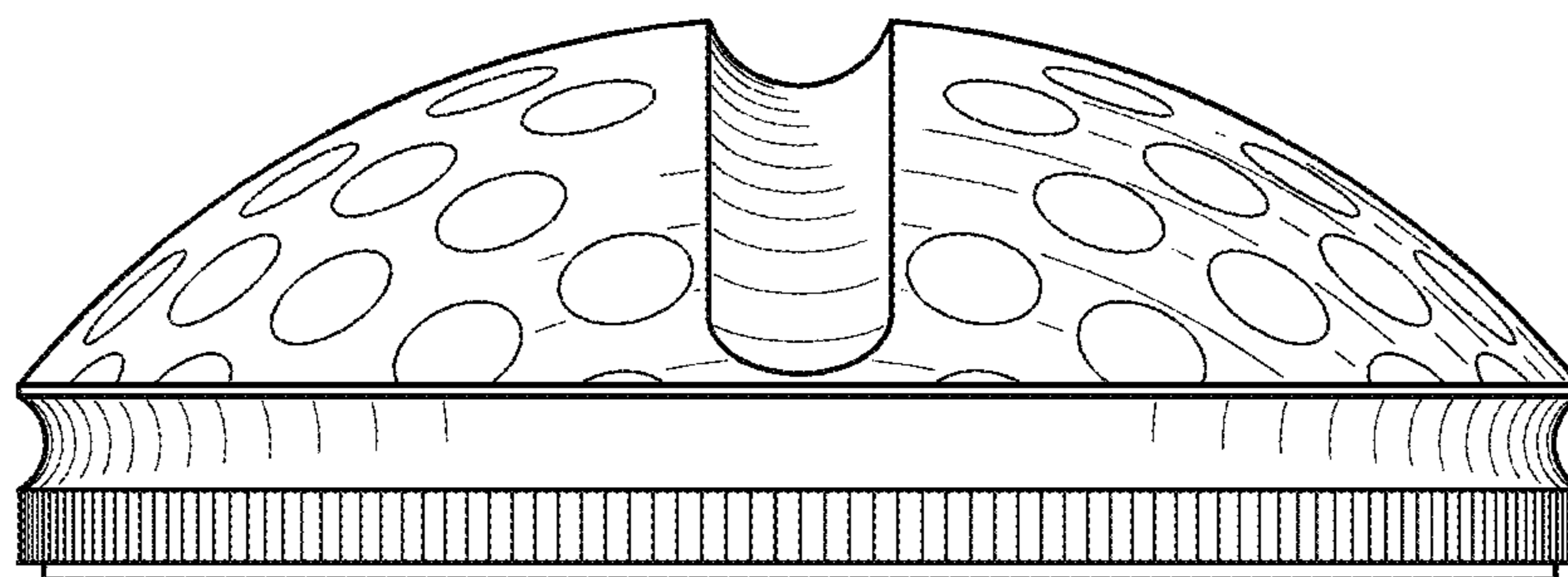
*Fig. 2*



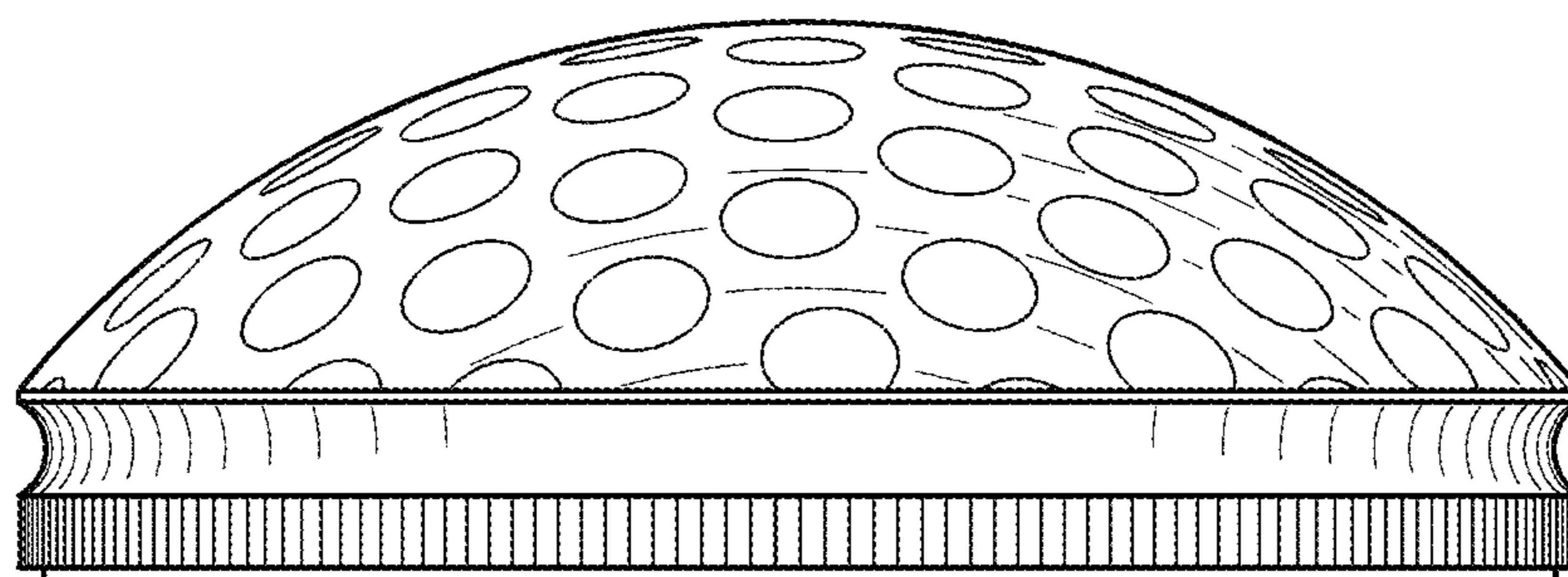
*Fig. 3*



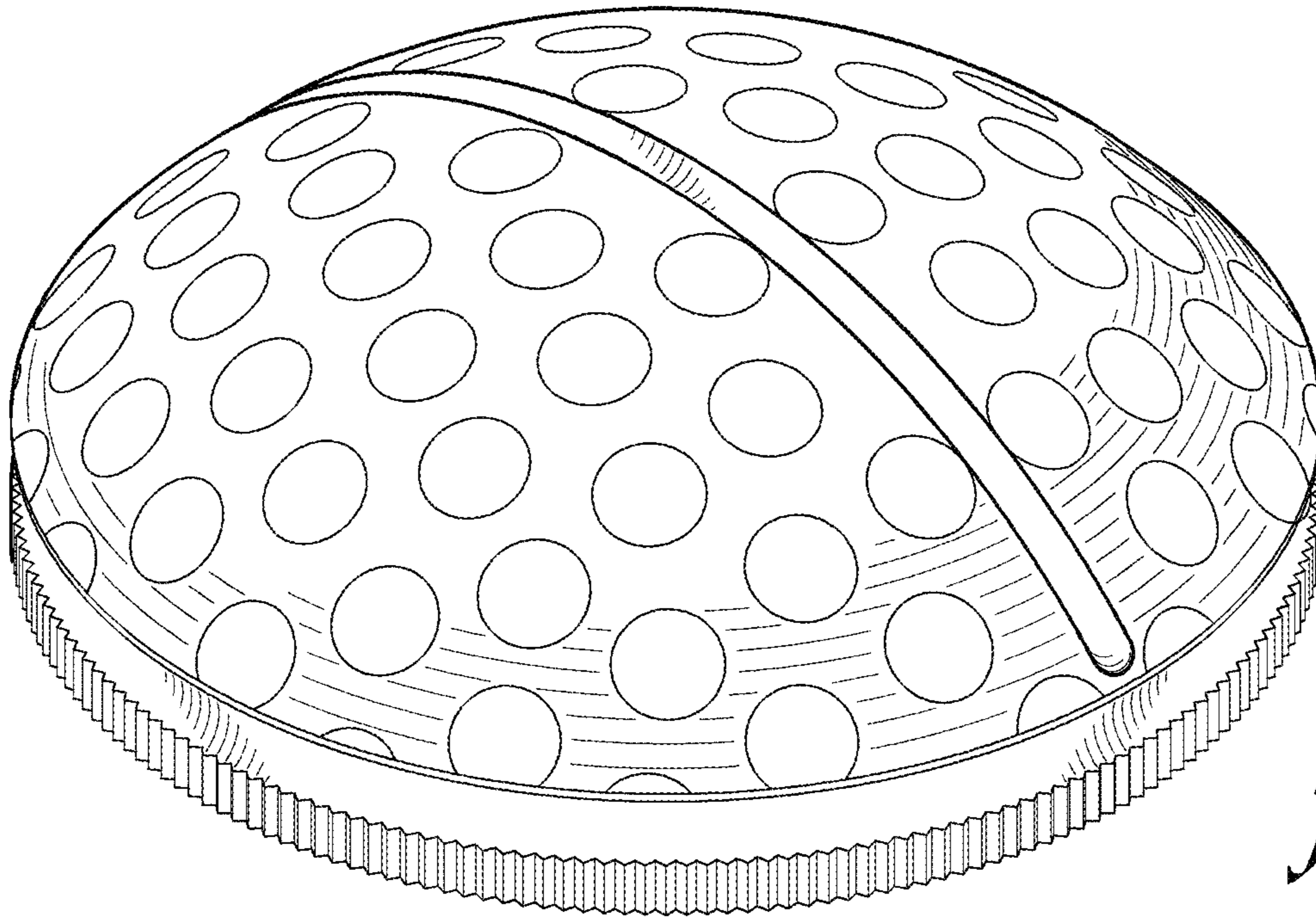
*Fig. 4*



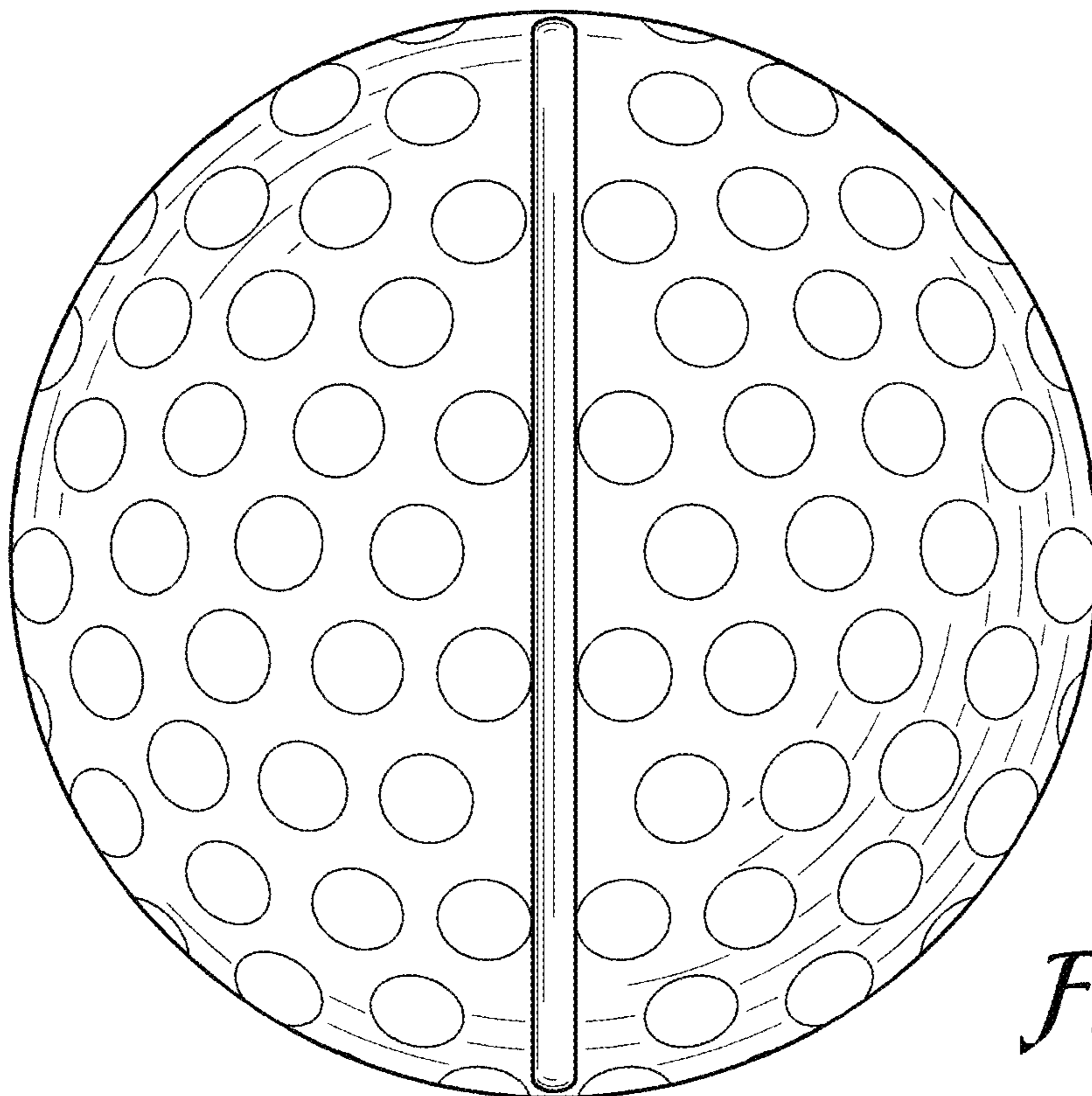
*Fig. 5*



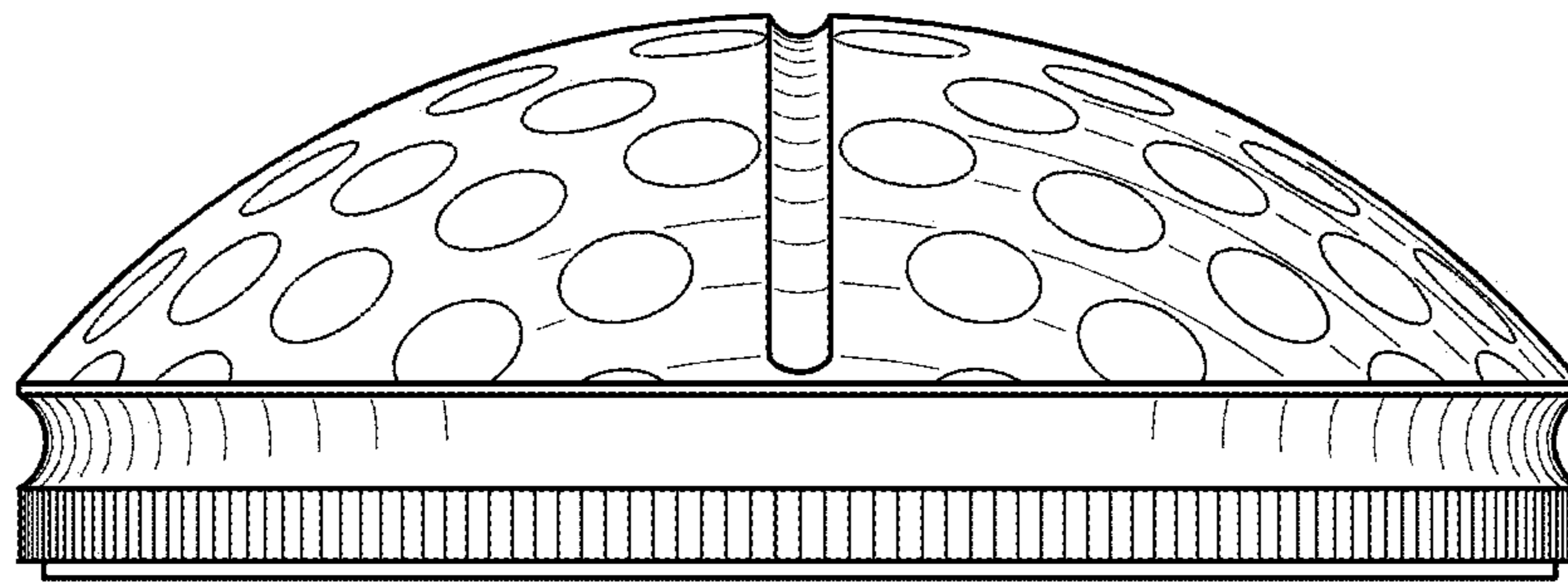
*Fig. 6*



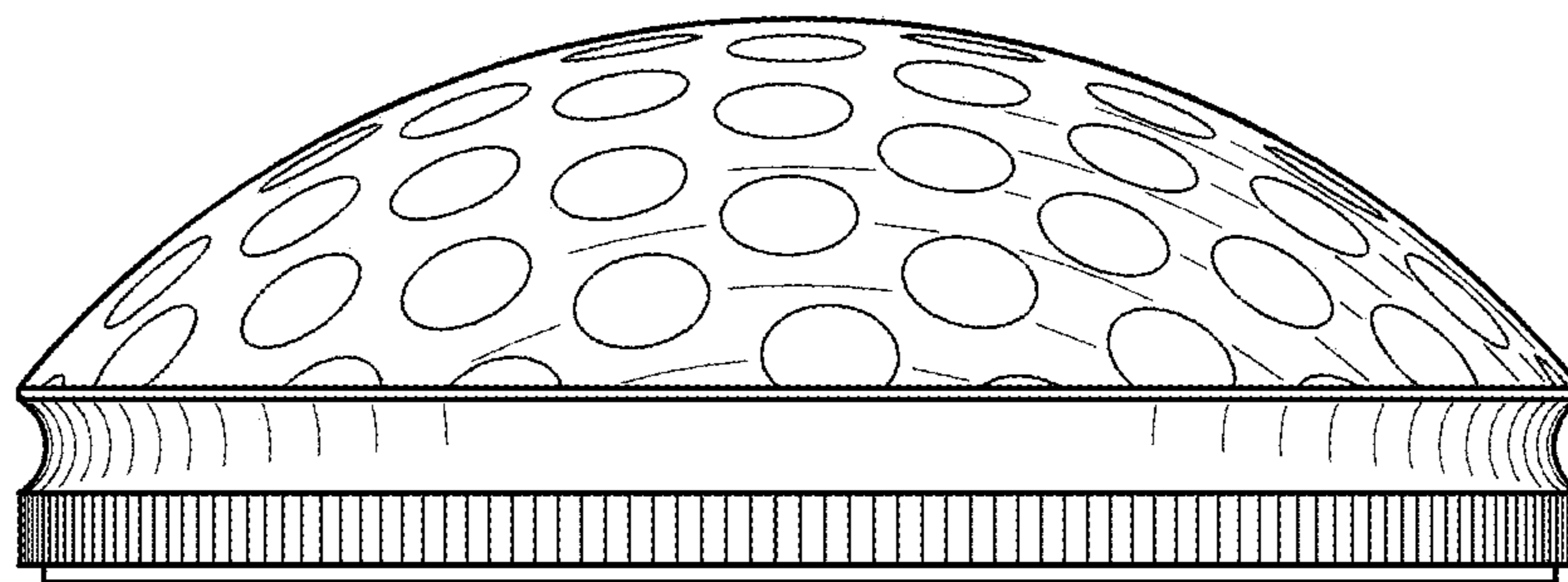
*Fig. 7*



*Fig. 8*



*Fig. 9*



*Fig. 10*