



US00D889578S

(12) **United States Design Patent**  
**Tury et al.**

(10) **Patent No.:** **US D889,578 S**

(45) **Date of Patent:** **\*\* Jul. 7, 2020**

- (54) **BILLIARD TABLE**
- (71) Applicant: **Life Fitness, LLC**, Rosemont, IL (US)
- (72) Inventors: **Colin Tury**, Southfield, MI (US);  
**Theodore J. Caron**, Kenosha, WI (US)
- (73) Assignee: **Life Fitness, LLC**, Rosemont, IL (US)
- (\*\*) Term: **15 Years**
- (21) Appl. No.: **29/712,203**
- (22) Filed: **Nov. 6, 2019**

- D408,487 S 4/1999 McCormick et al.
- D408,488 S 4/1999 McCormick et al.
- D418,185 S 12/1999 McCormick et al.
- 6,149,530 A 11/2000 Shih
- D441,479 S 5/2001 McCormick et al.
- D446,275 S 8/2001 Murrey
- D473,278 S 4/2003 McCormick et al.
- D476,711 S 7/2003 Church et al.
- D489,784 S 5/2004 Foley
- D491,245 S 6/2004 Newhouse
- D494,241 S 8/2004 Moore, Sr.
- D494,242 S 8/2004 McCormick
- D495,766 S 9/2004 Moore, Sr.

(Continued)

**Related U.S. Application Data**

- (62) Division of application No. 29/614,673, filed on Aug. 22, 2017, now Pat. No. Des. 870,831.
- (51) **LOC (12) Cl.** ..... **06-03**
- (52) **U.S. Cl.**  
USPC ..... **D21/784**
- (58) **Field of Classification Search**  
USPC ..... D21/782-784; D6/85, 691, 696  
CPC ..... A63D 15/00; A63D 15/01; A63D 15/02;  
A63D 15/04; A63D 15/06  
See application file for complete search history.

**References Cited**

**U.S. PATENT DOCUMENTS**

- D192,086 S \* 1/1962 Reinnan ..... D21/784
- 3,348,841 A 10/1967 Harvey
- 3,495,825 A 2/1970 Nielsen
- D257,469 S 10/1980 Moore
- D257,684 S 12/1980 Moore
- D259,579 S 6/1981 Kaye
- D319,279 S 8/1991 Kaye
- D319,860 S 9/1991 Ascher
- D332,293 S 1/1993 Powers
- D332,648 S 1/1993 Mitchell, Jr.
- D348,916 S 7/1994 Powers
- D376,401 S 12/1996 Lucas et al.
- 5,830,072 A 11/1998 D'Aguiar

**OTHER PUBLICATIONS**

“Billiard Table”, published Sep. 21, 2018[online], [retrieved Dec. 21, 2019]. Retrieved from Orbit, [https://www63.orbit.com/?locale=en&ticket=25d3e097-f9cd-46ac-b3fe-ebfa20e91c91#DesignListPage.\\*](https://www63.orbit.com/?locale=en&ticket=25d3e097-f9cd-46ac-b3fe-ebfa20e91c91#DesignListPage.*)

(Continued)

*Primary Examiner* — Sandra S Snapp  
*Assistant Examiner* — Mehri F Bajoul  
(74) *Attorney, Agent, or Firm* — Andrus Intellectual Property Law, LLP

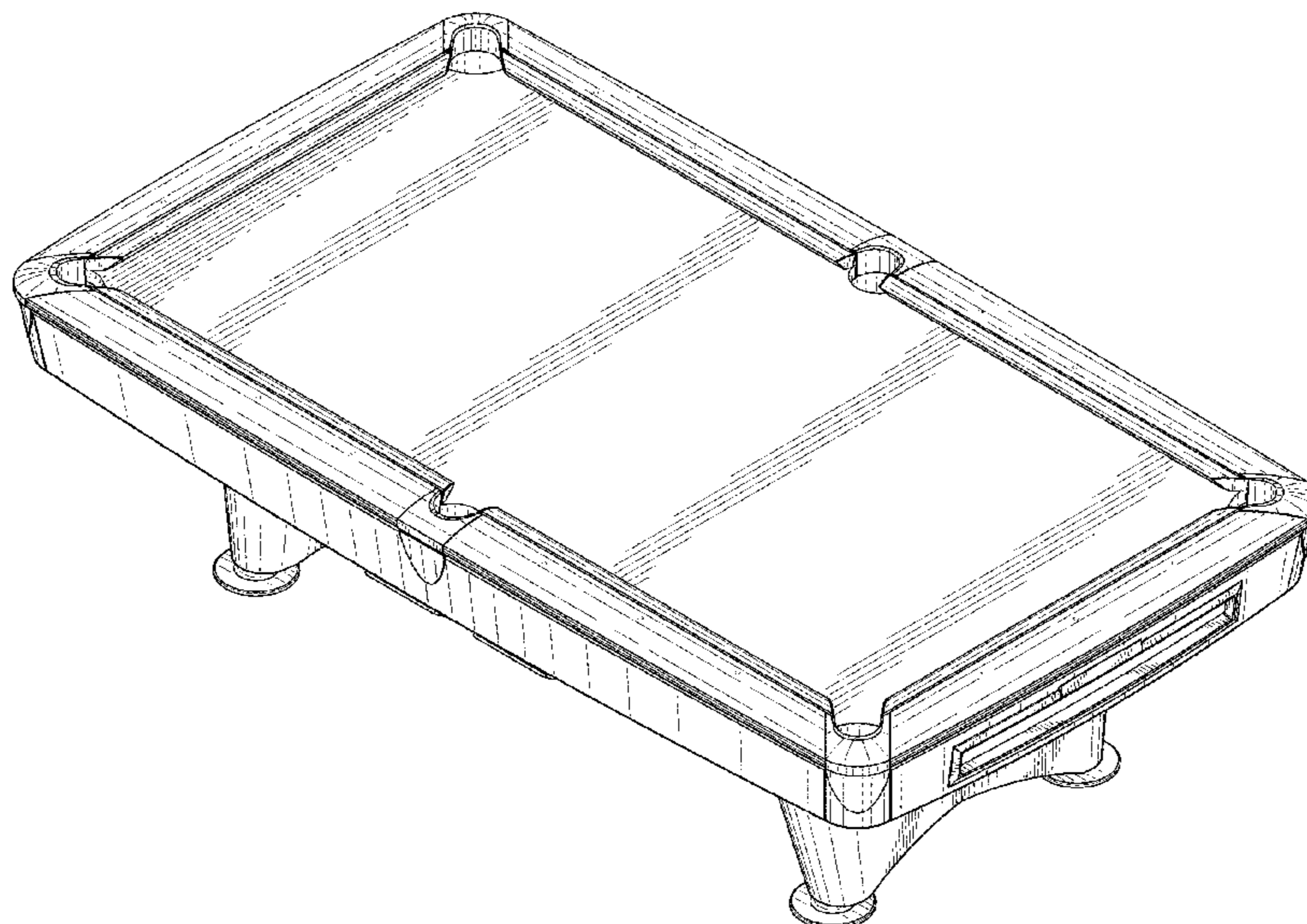
(57) **CLAIM**

The ornamental design for a billiard table, as shown and described.

**DESCRIPTION**

FIG. 1 is a perspective view of a billiard table.  
FIG. 2 is a side view thereof.  
FIG. 3 is an opposite side view thereof.  
FIG. 4 is an end view thereof.  
FIG. 5 is an opposite end view thereof.  
FIG. 6 is a top view thereof; and,  
FIG. 7 is bottom view thereof.

**1 Claim, 7 Drawing Sheets**



(56)

**References Cited**

U.S. PATENT DOCUMENTS

D505,173	S	5/2005	Foley	
6,991,231	B1	1/2006	Tien	
D515,650	S	2/2006	Hobbs et al.	
D558,847	S	1/2008	McCormick	
D558,848	S	1/2008	Moore, Sr.	
D594,522	S	6/2009	Callif et al.	
D597,161	S	7/2009	Blair et al.	
D597,162	S	7/2009	Blair et al.	
D597,623	S	8/2009	Blair et al.	
D598,515	S	8/2009	Blair et al.	
D599,426	S	9/2009	Blair et al.	
D654,204	S	2/2012	Friesen	
D676,917	S	2/2013	McCormick et al.	
D696,370	S	12/2013	Robison et al.	
D699,310	S	2/2014	Cox	
D849,862	S *	5/2019	Qiao .....	D21/784
2005/0107177	A1	5/2005	Arias	
2005/0221902	A1	10/2005	Chen	
2011/0143847	A1	6/2011	Lu	

OTHER PUBLICATIONS

“Billiard Table”, published Jul. 27, 2015 [online], [retrieved Dec. 21, 2019]. Retrieved from Orbit, <https://www63.orbit.com/?locale=en&ticket=25d3e097-f9cd-46ac-b3fe-ebfa20e91c91#DesignListPage>.\*

\* cited by examiner

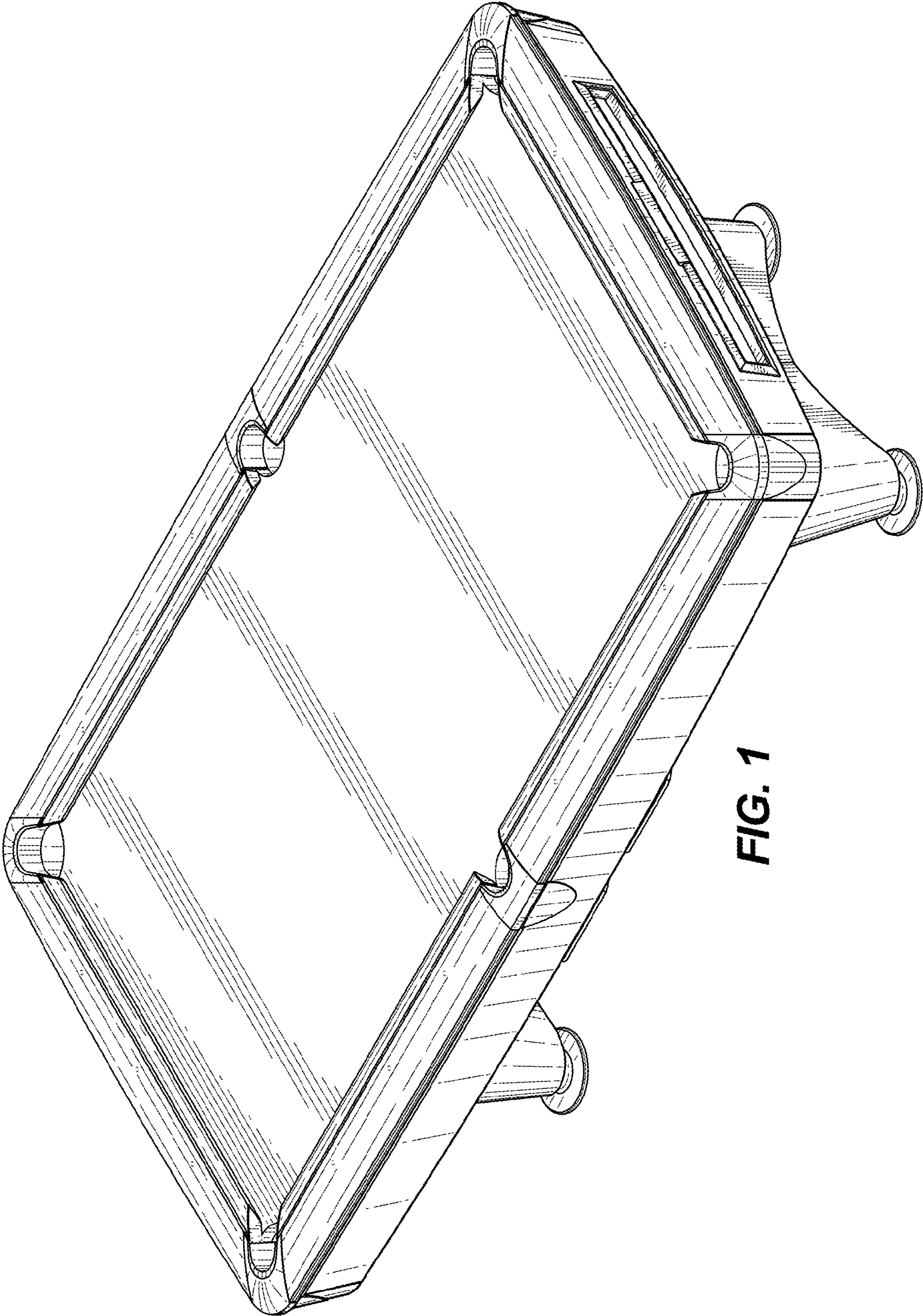


FIG. 1

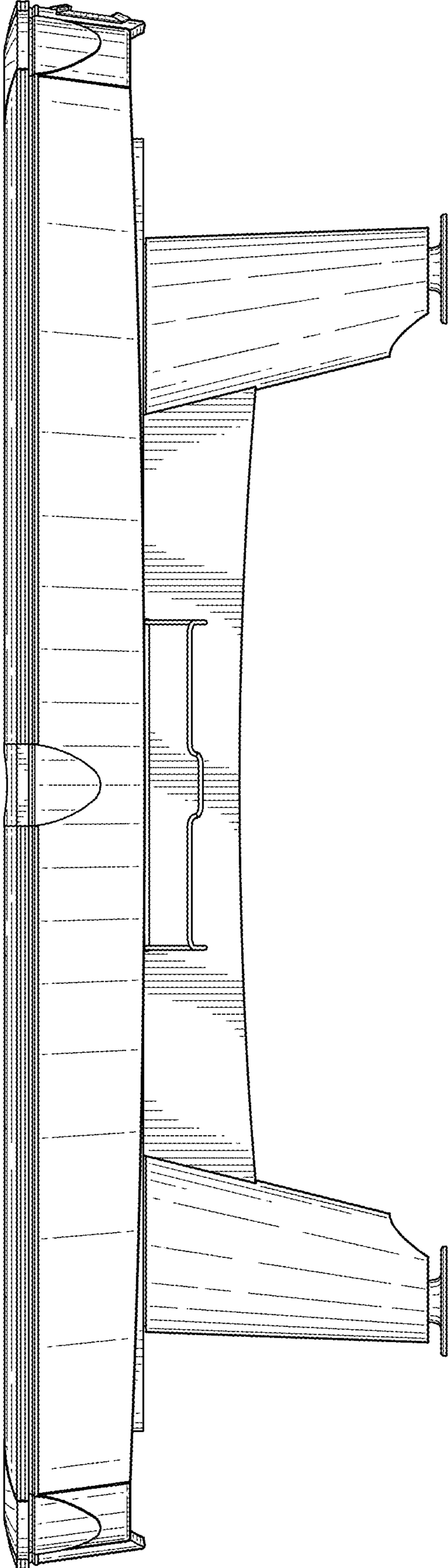


FIG. 2

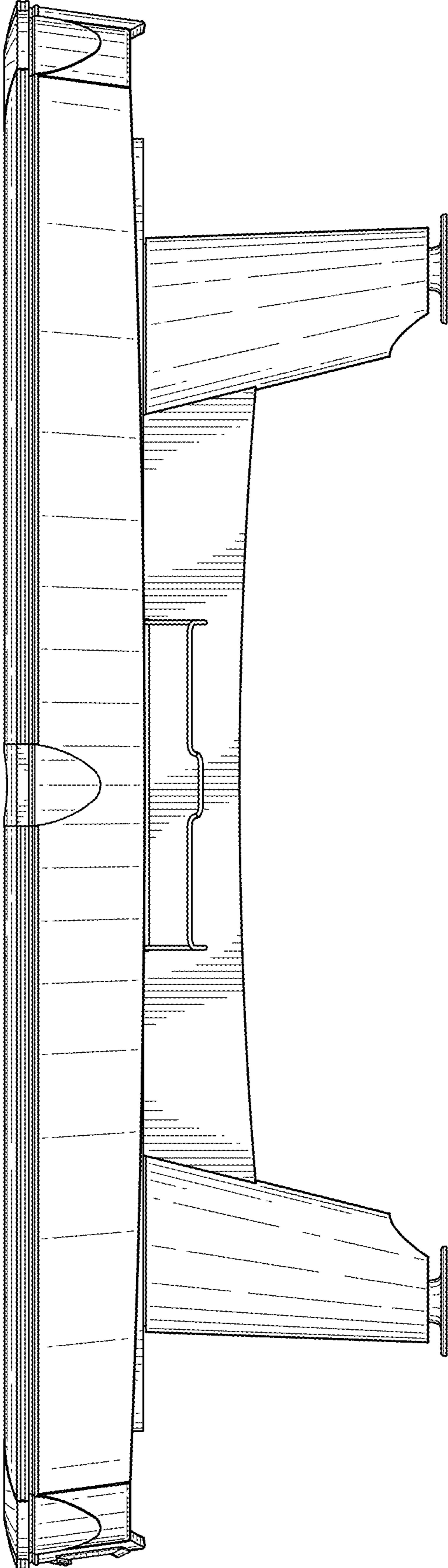
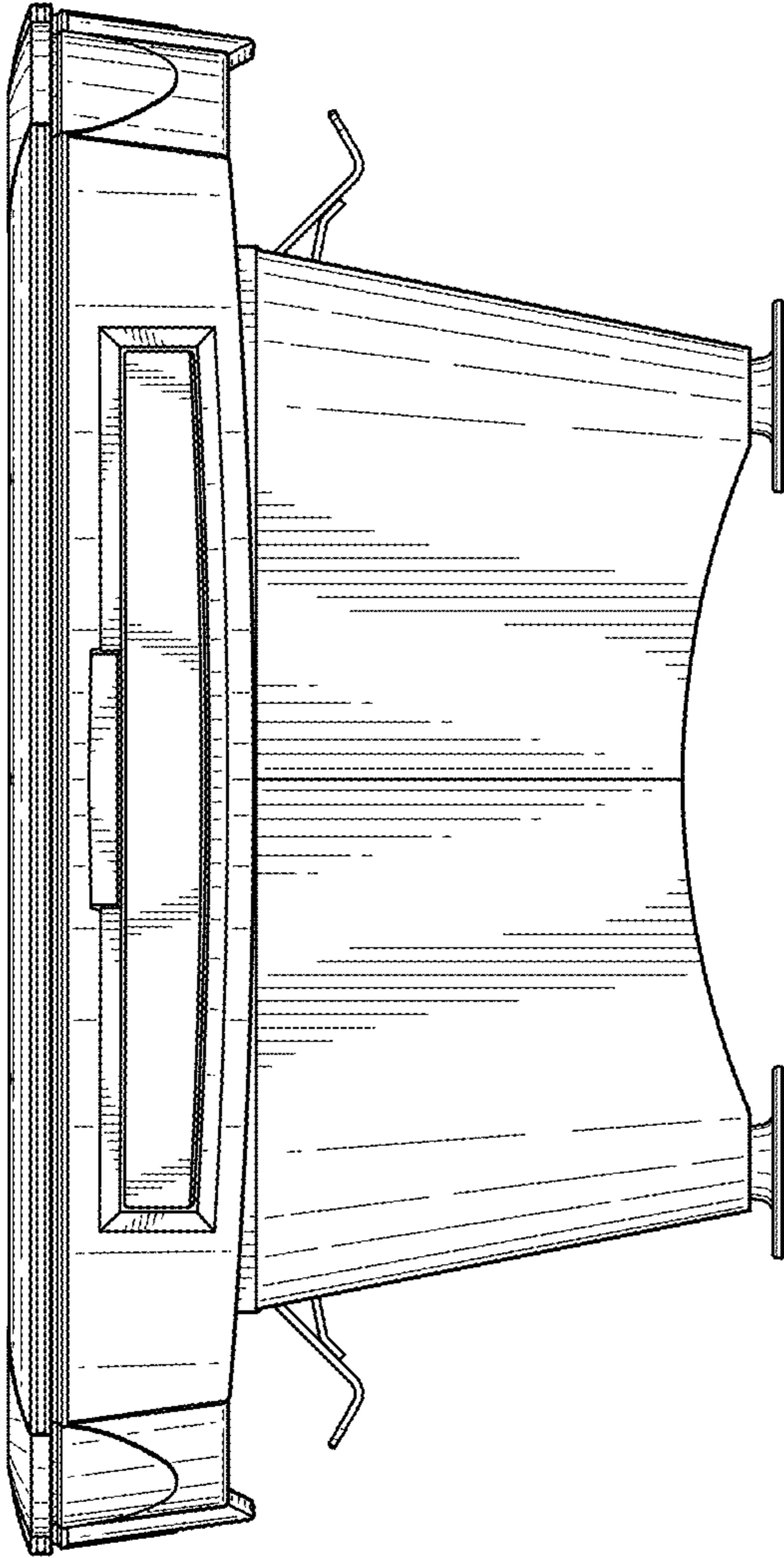
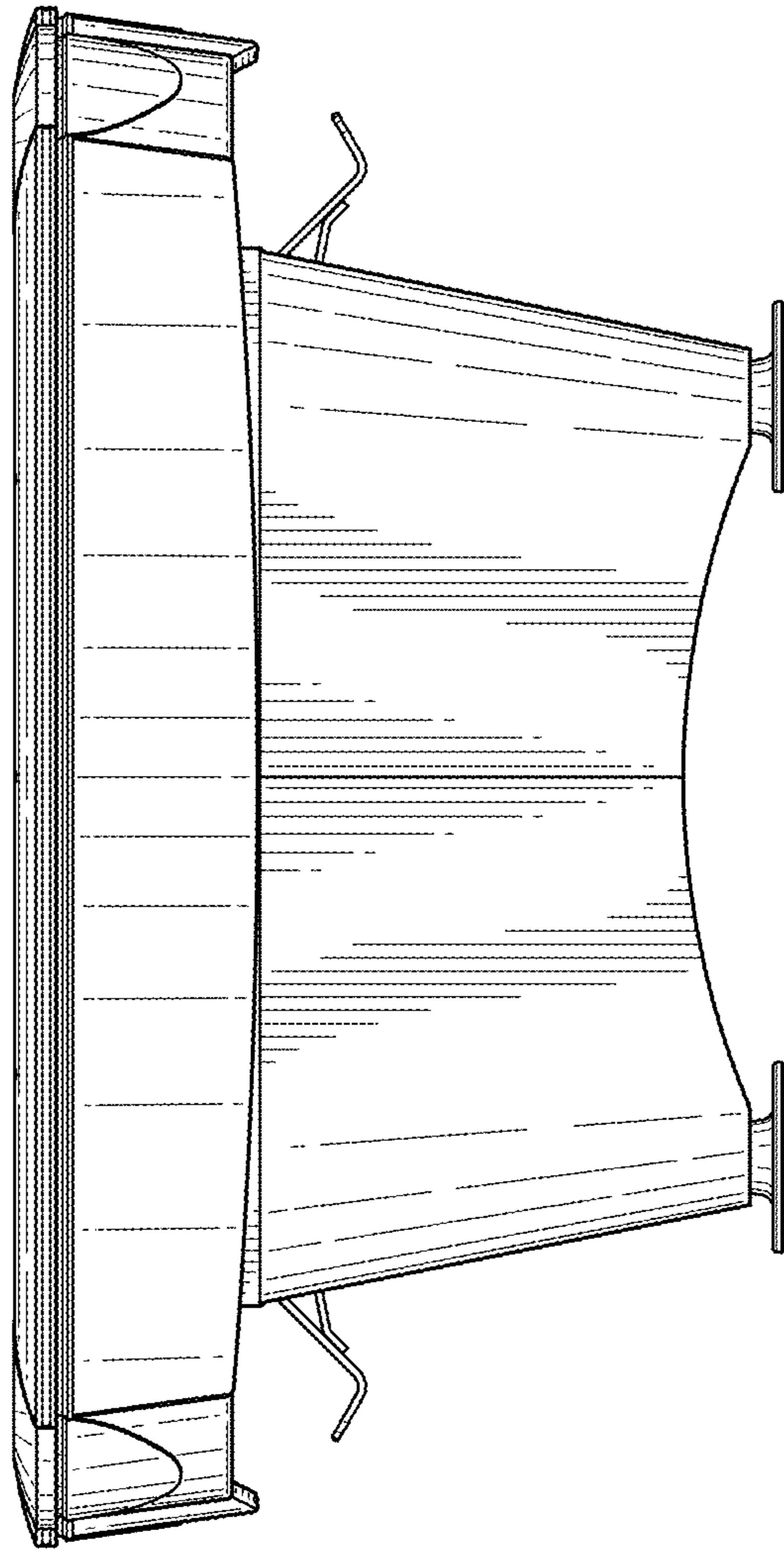


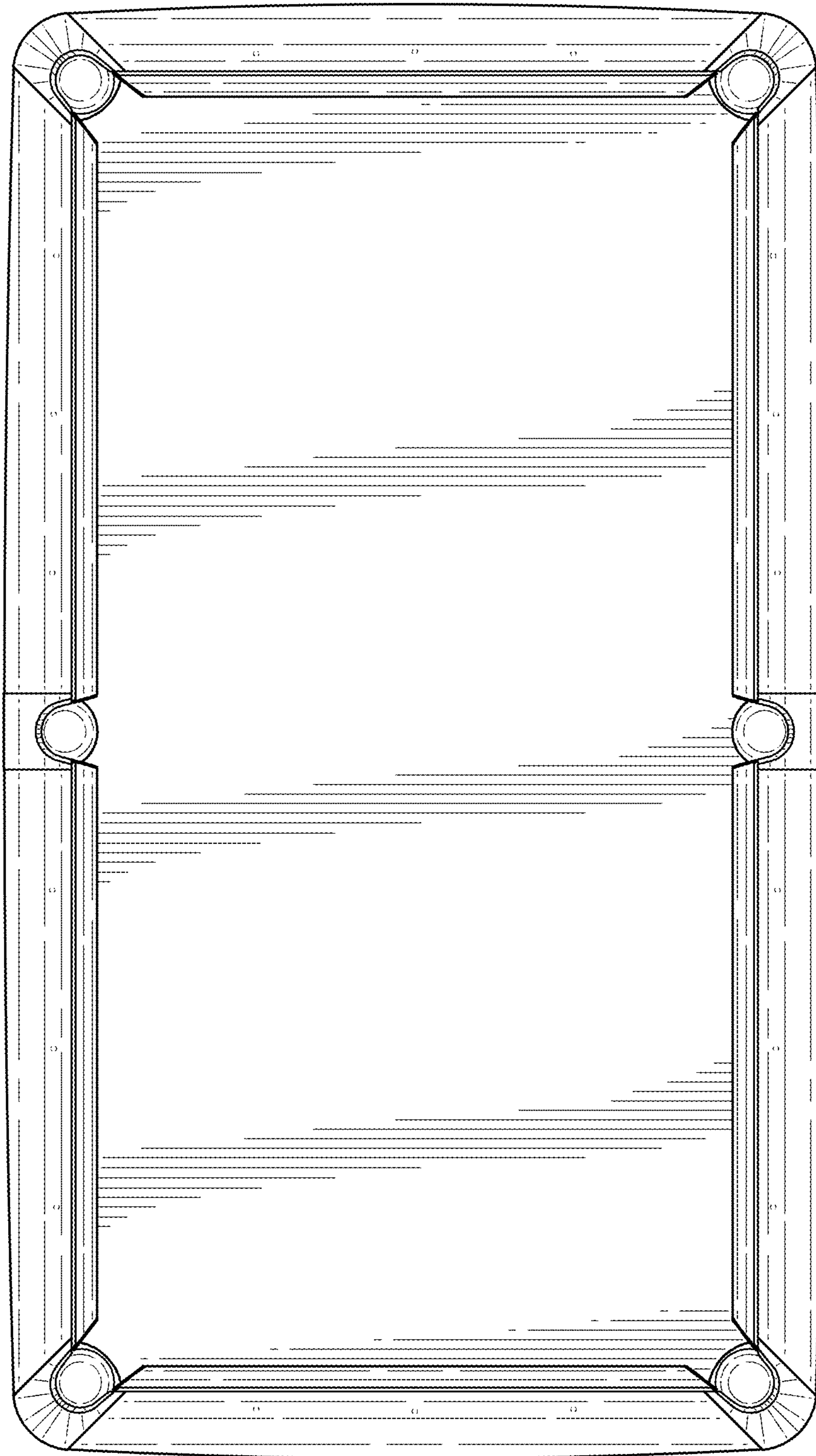
FIG. 3



**FIG. 4**

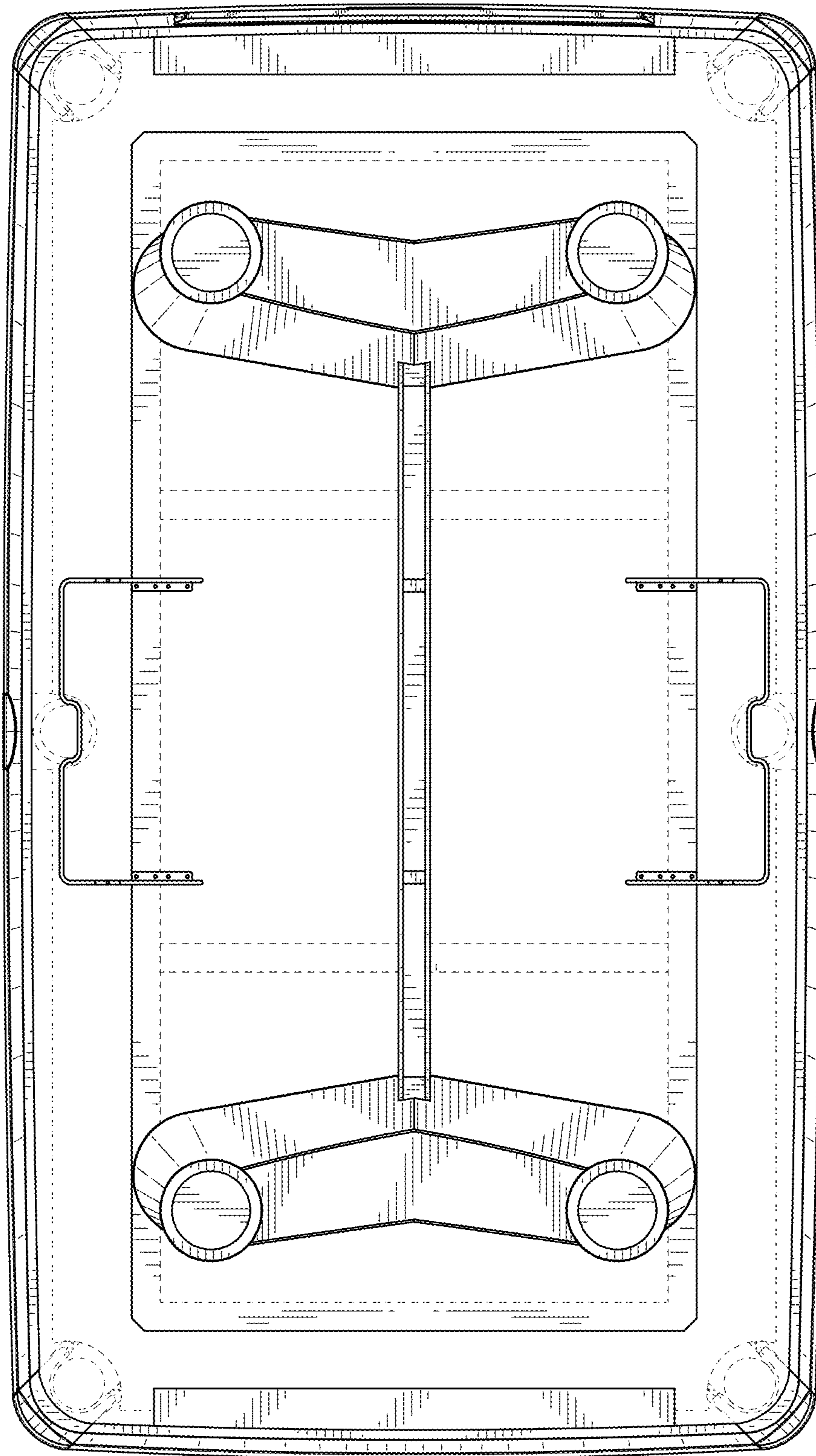


**FIG. 5**



**FIG. 6**





**FIG. 7**