



US00D889576S

(12) **United States Design Patent**  
**Li et al.**

(10) **Patent No.:** **US D889,576 S**  
(45) **Date of Patent:** **\*\* Jul. 7, 2020**

(54) **DUAL-WHEEL BALANCE SCOOTER**

(71) Applicant: **E-LINK TECHNOLOGY CO., LTD,**  
ShenZhen (CN)

(72) Inventors: **PingZhi Li, ShenZhen (CN); MinYi**  
**Chen, ShenZhen (CN); XiHui Jiang,**  
ShenZhen (CN)

(\*\*) Term: **15 Years**

(21) Appl. No.: **29/684,419**

(22) Filed: **Mar. 21, 2019**

(51) **LOC (12) Cl.** ..... **21-02**

(52) **U.S. Cl.**  
USPC ..... **D21/763**

(58) **Field of Classification Search**  
USPC ..... D21/419, 421, 423, 426, 760, 763, 765,  
D21/766, 769, 771, 776, 803; D12/1  
CPC ..... A63C 17/01; A63C 17/12; A63C 2203/00;  
A63C 2203/011; A63C 2203/012; A63C  
2203/013; A63C 2203/40; A63C 2203/52;  
B62D 51/02; B62K 2202/00; B62K  
2207/00; B62K 2207/02; B62K 2207/04  
See application file for complete search history.

(56) **References Cited**

**U.S. PATENT DOCUMENTS**

D737,723 S *	9/2015	Ying	.....	D12/1
D738,256 S *	9/2015	Ying	.....	D12/1
D784,195 S *	4/2017	Ying	.....	D12/1
D785,112 S *	4/2017	Ying	.....	D21/760
D785,113 S *	4/2017	Ying	.....	D21/760
D786,130 S *	5/2017	Huang	.....	D12/1
D786,994 S *	5/2017	Chen	.....	D21/760
D803,963 S *	11/2017	Desberg	.....	D21/760
D805,429 S *	12/2017	Cao	.....	D12/1
9,840,302 B2 *	12/2017	Zeng	.....	B62K 11/007

D807,457 S *	1/2018	Desberg	.....	D21/763
D808,300 S *	1/2018	Cao	.....	D12/1
D808,856 S *	1/2018	Zhang	.....	D12/1
D808,857 S *	1/2018	Zhang	.....	D12/1
D810,618 S *	2/2018	Li	.....	D12/1
D817,811 S *	5/2018	Wang	.....	D12/1
D834,448 S *	11/2018	Wang	.....	D12/1
D837,322 S *	1/2019	Desberg	.....	D21/760
D837,323 S *	1/2019	Desberg	.....	D21/760
D840,872 S *	2/2019	Desberg	.....	D12/1
D857,137 S *	8/2019	Cao	.....	D21/760
D865,095 S *	10/2019	Desberg	.....	D21/760
D865,890 S *	11/2019	Desberg	.....	D21/760
2016/0129963 A1 *	5/2016	Ying	.....	B62D 51/02 180/6.5
2017/0183053 A1 *	6/2017	Zeng	.....	B62K 11/007
2017/0217529 A1 *	8/2017	Chen	.....	B62K 11/007

\* cited by examiner

*Primary Examiner* — Cynthia M. Chin

(74) *Attorney, Agent, or Firm* — Bayramoglu Law Offices  
LLC

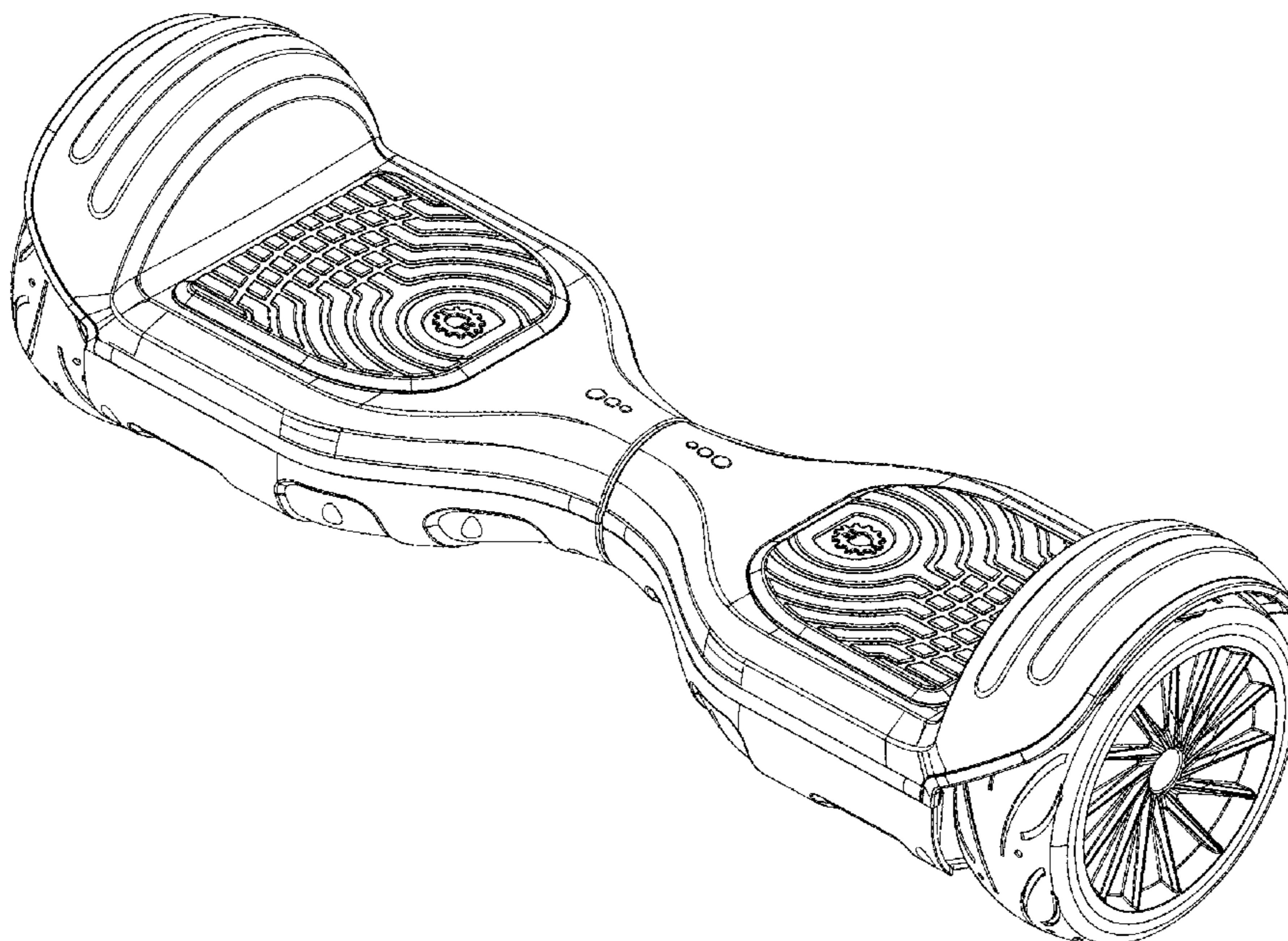
(57) **CLAIM**

The ornamental design for a dual-wheel balance scooter, as  
shown and described.

**DESCRIPTION**

FIG. 1 is a perspective view of a dual-wheel balance scooter  
showing my new design;  
FIG. 2 is another perspective view thereof;  
FIG. 3 is a front side elevation view thereof;  
FIG. 4 is a rear side elevation view thereof;  
FIG. 5 is a left side elevation view thereof;  
FIG. 6 is a right side elevation view thereof; and,  
FIG. 7 is an enlarged top plan view thereof.  
A bottom view is omitted since the bottom is a mirror image  
of the top view.

**1 Claim, 7 Drawing Sheets**



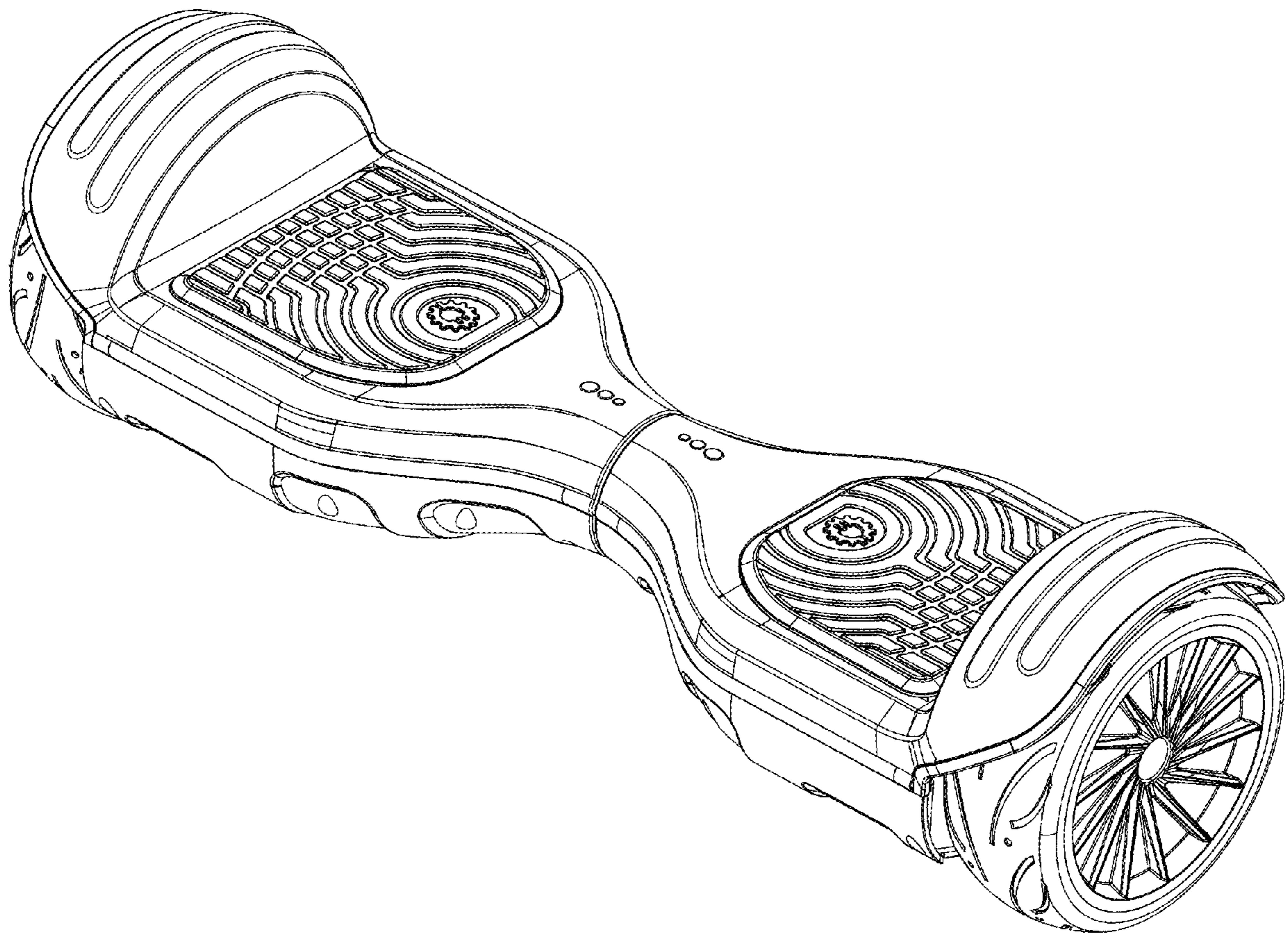


FIG. 1

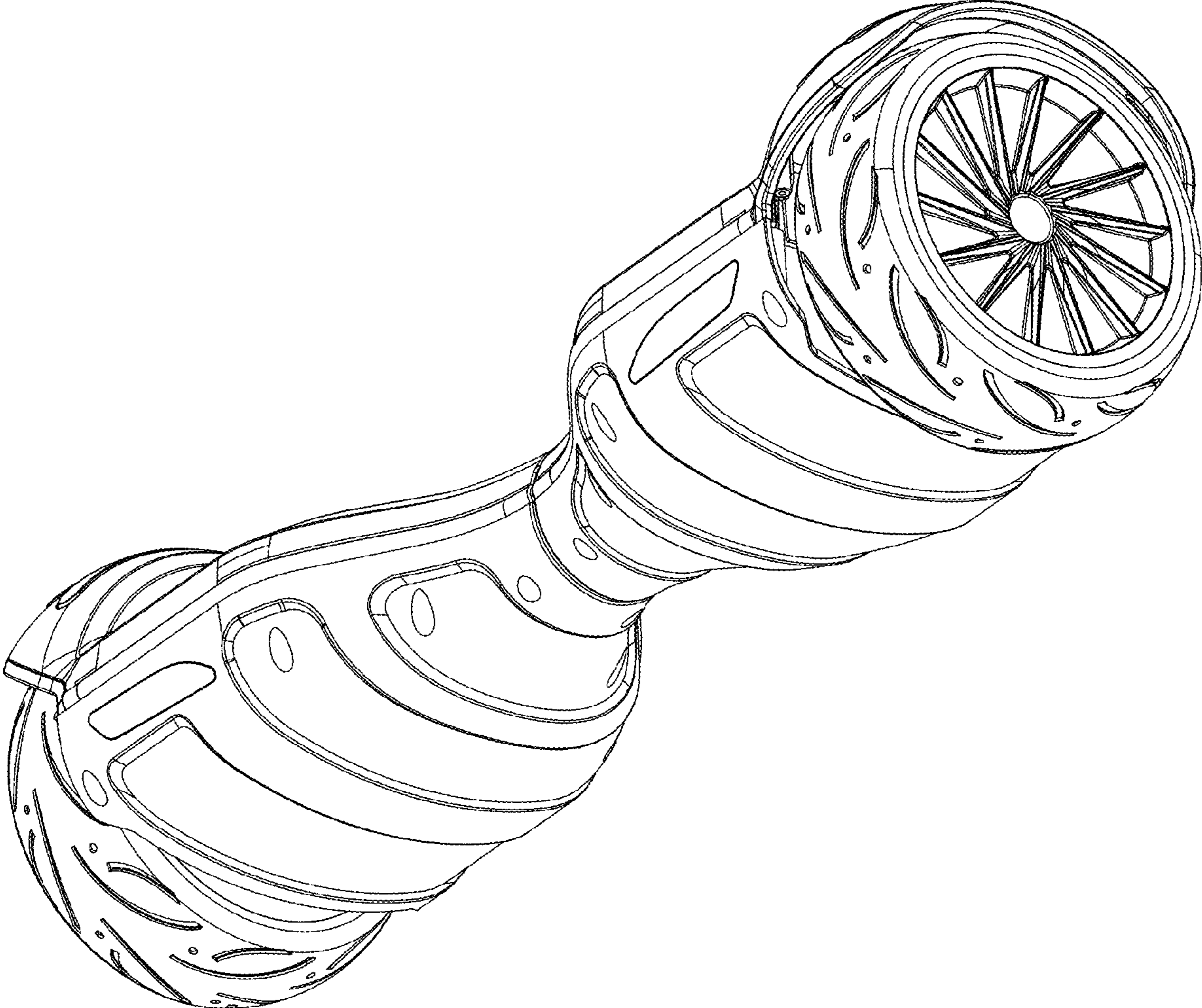


FIG. 2

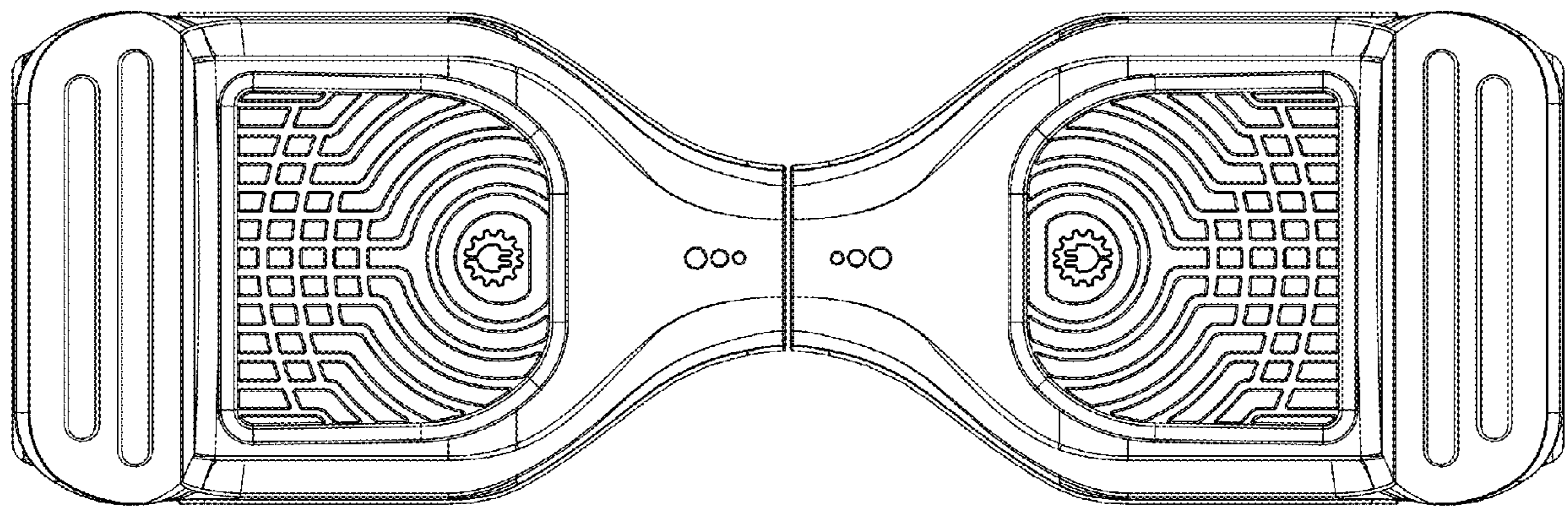


FIG. 3

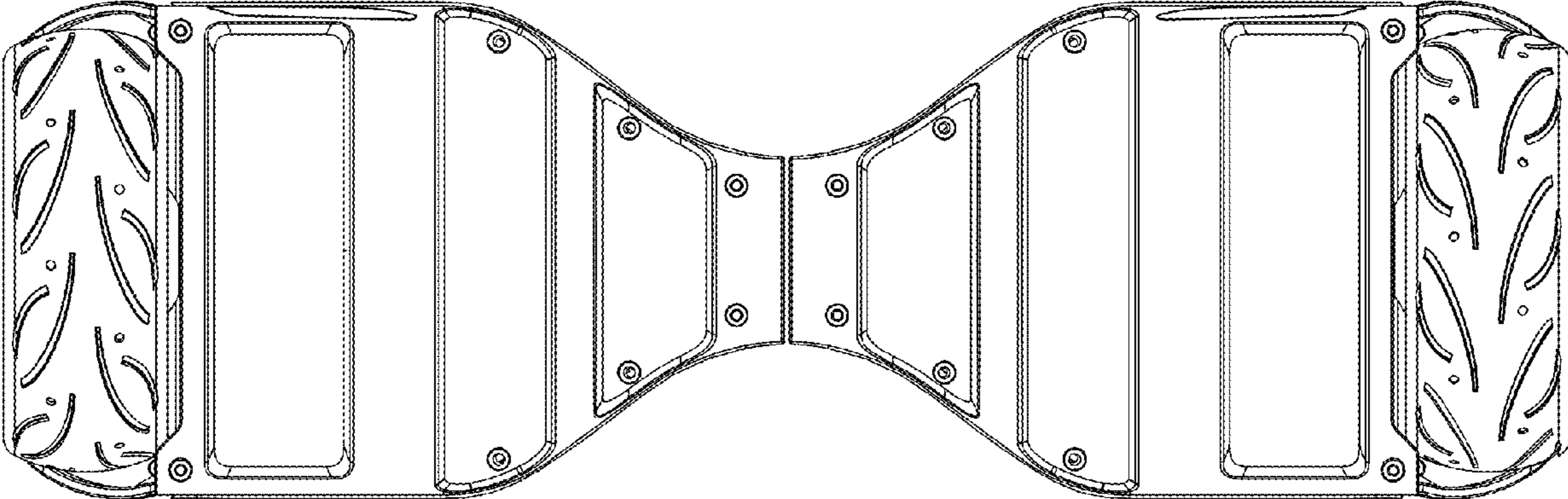


FIG. 4

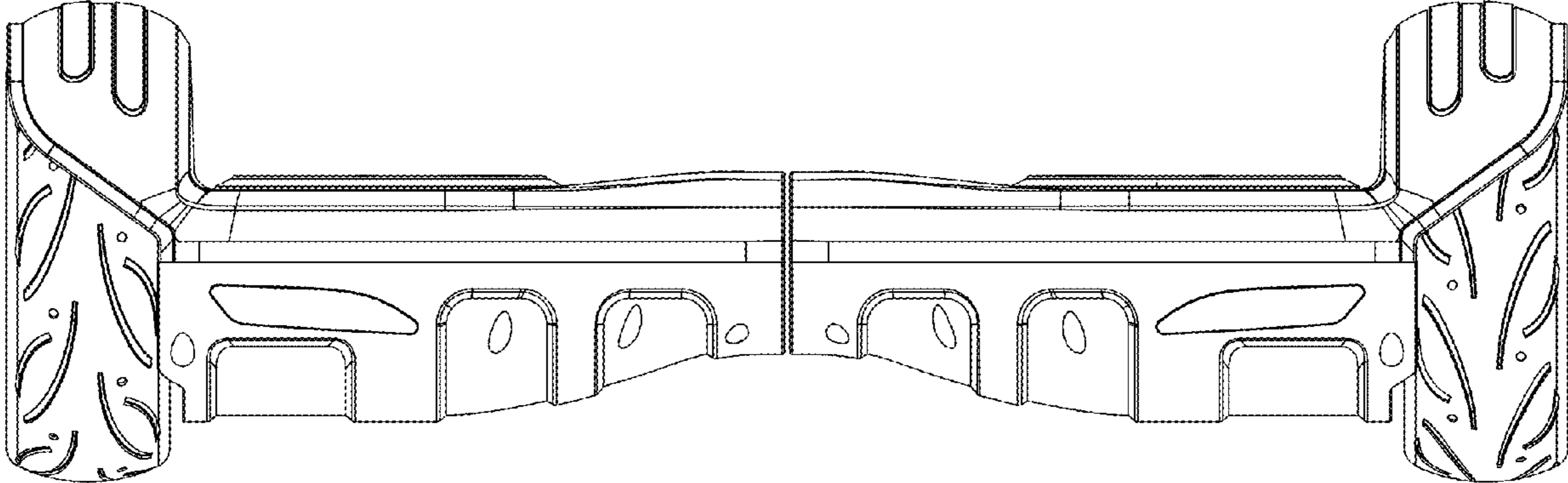


FIG. 5

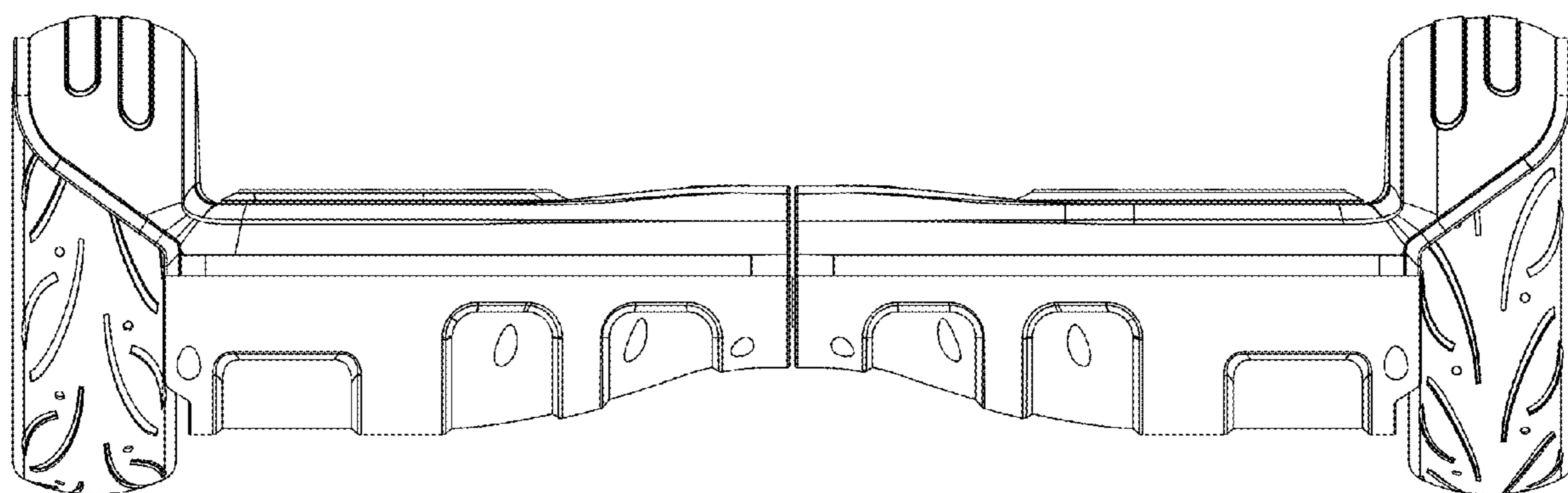


FIG. 6

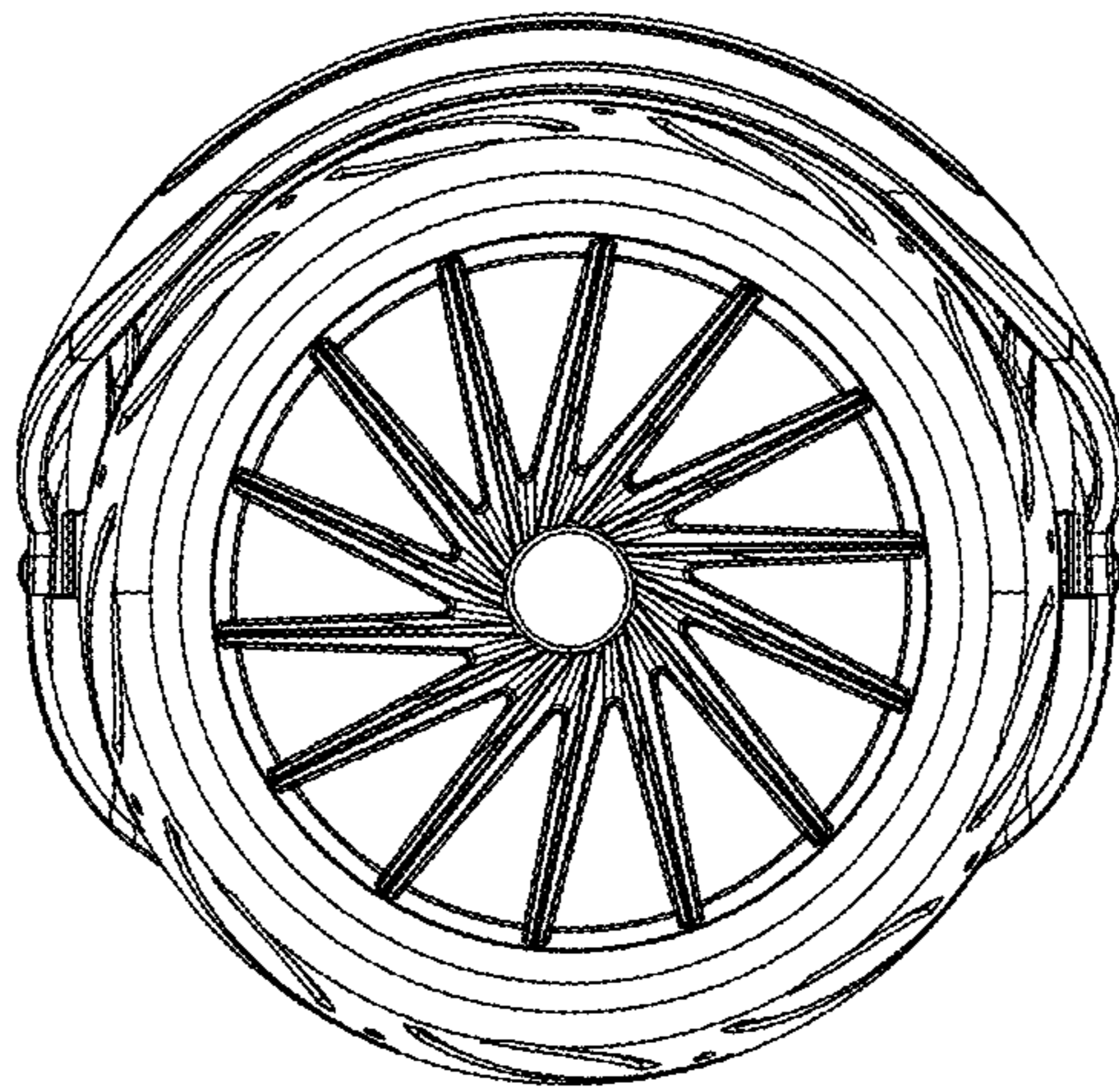


FIG. 7