



US00D889572S

(12) **United States Design Patent**  
**Hall**

(10) **Patent No.:** **US D889,572 S**

(45) **Date of Patent:** **\*\* Jul. 7, 2020**

(54) **ROPE SWINGING DEVICE**

(71) Applicant: **William B. Hall**, Evanston, IL (US)

(72) Inventor: **William B. Hall**, Evanston, IL (US)

(\*\*) Term: **15 Years**

(21) Appl. No.: **29/668,116**

(22) Filed: **Oct. 27, 2018**

(51) **LOC (12) Cl.** ..... **21-02**

(52) **U.S. Cl.**  
USPC ..... **D21/694**

(58) **Field of Classification Search**  
USPC ..... D21/694; D8/105, 107, 330, 333, 336,  
D8/338  
CPC . A63B 21/012; A63B 21/018; A63B 21/0552;  
A63B 21/151; A63B 21/16; A63B  
21/4049  
See application file for complete search history.

(56) **References Cited**

**U.S. PATENT DOCUMENTS**

3,737,162	A *	6/1973	Wood	.....	A63H 1/32 482/110
5,512,028	A *	4/1996	Sparks, III	.....	A63B 21/0004 446/253
D579,991	S *	11/2008	Arnstein	.....	D21/455
D711,986	S *	8/2014	Russotti	.....	D21/694
D733,815	S *	7/2015	Gustafson	.....	D21/694
D835,971	S *	12/2018	Moreau	.....	D8/333
D850,546	S *	6/2019	Reese	.....	D21/694
D861,087	S *	9/2019	Mantione, III	.....	D21/694
D864,319	S *	10/2019	Mantione, III	.....	D21/692
D868,564	S *	12/2019	Moreau	.....	D8/333
D869,579	S *	12/2019	Hannan	.....	D21/684
D874,586	S *	2/2020	Bartolotta	.....	D21/694

(Continued)

*Primary Examiner* — Cynthia Ramirez  
*Assistant Examiner* — Michael A Maharajh

(74) *Attorney, Agent, or Firm* — Andover Patents, LLC;  
Daniel N. Beinart

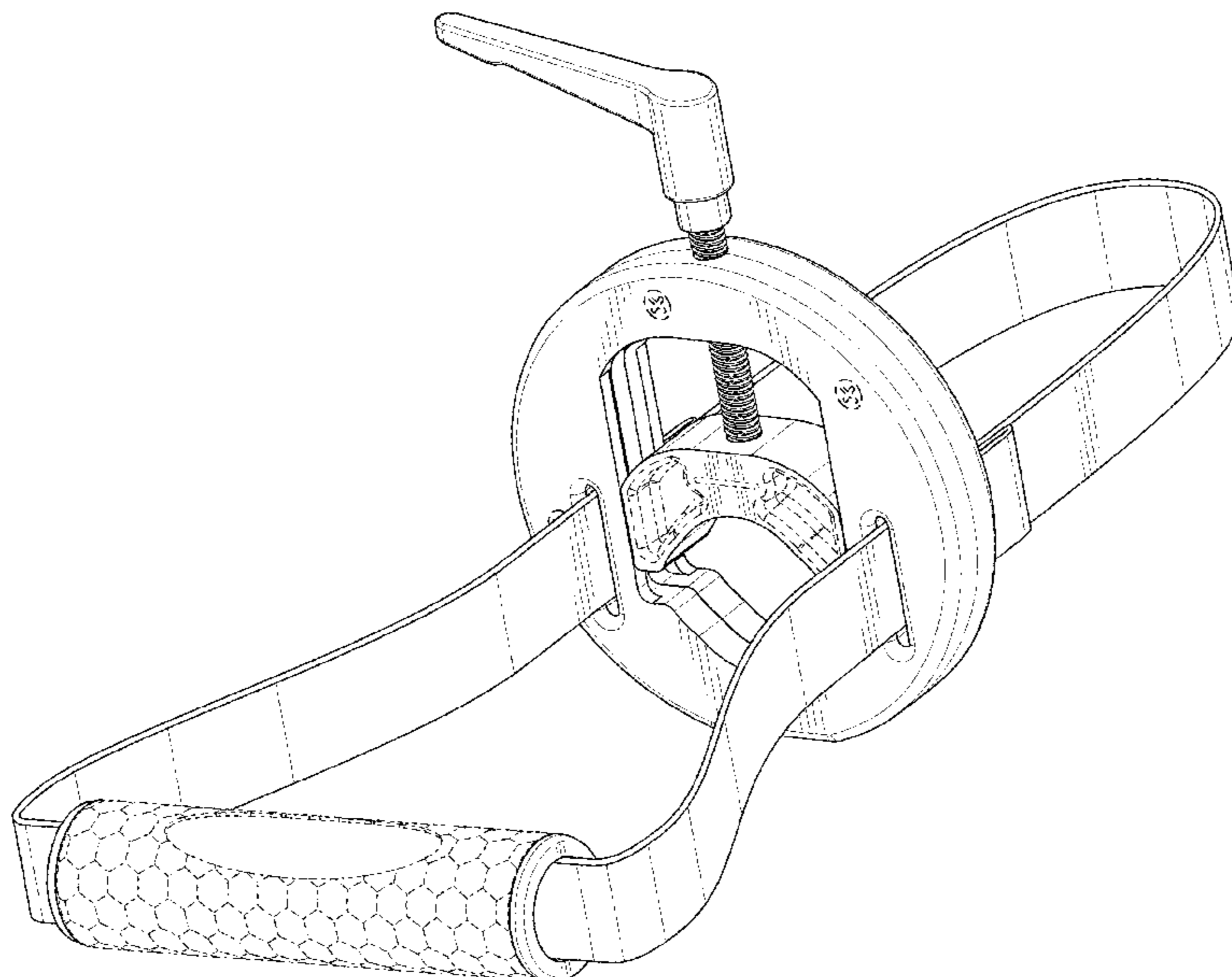
(57) **CLAIM**

The ornamental design for a rope swinging device, as shown and described.

**DESCRIPTION**

FIG. 1 is a perspective view of a first embodiment of a rope swinging device;  
FIG. 2 is a front view of the rope swinging device of FIG. 1;  
FIG. 3 is a back view of the rope swinging device of FIG. 1;  
FIG. 4 is a bottom view of the rope swinging device of FIG. 1;  
FIG. 5 is a top view of the rope swinging device of FIG. 1;  
FIG. 6 is a left side view of the rope swinging device of FIG. 1;  
FIG. 7 is a right side view of the rope swinging device of FIG. 1;  
FIG. 8 is a perspective view of a second embodiment of a rope swinging device;  
FIG. 9 is a front view of the rope swinging device of FIG. 8;  
FIG. 10 is a back view of the rope swinging device of FIG. 8;  
FIG. 11 is a bottom view of the rope swinging device of FIG. 8;  
FIG. 12 is a top view of the rope swinging device of FIG. 8;  
FIG. 13 is a left side view of the rope swinging device of FIG. 8; and,  
FIG. 14 is a right side view of the rope swinging device of FIG. 8.  
The broken lines in the drawings are for the purpose of illustrating portions of the rope swinging device, which form no part of the claimed design.

**1 Claim, 14 Drawing Sheets**



(56)

**References Cited**

U.S. PATENT DOCUMENTS

D882,003 S \* 4/2020 Sparber ..... D21/694  
2013/0185900 A1 \* 7/2013 Campbell ..... F16G 11/101  
24/301

\* cited by examiner

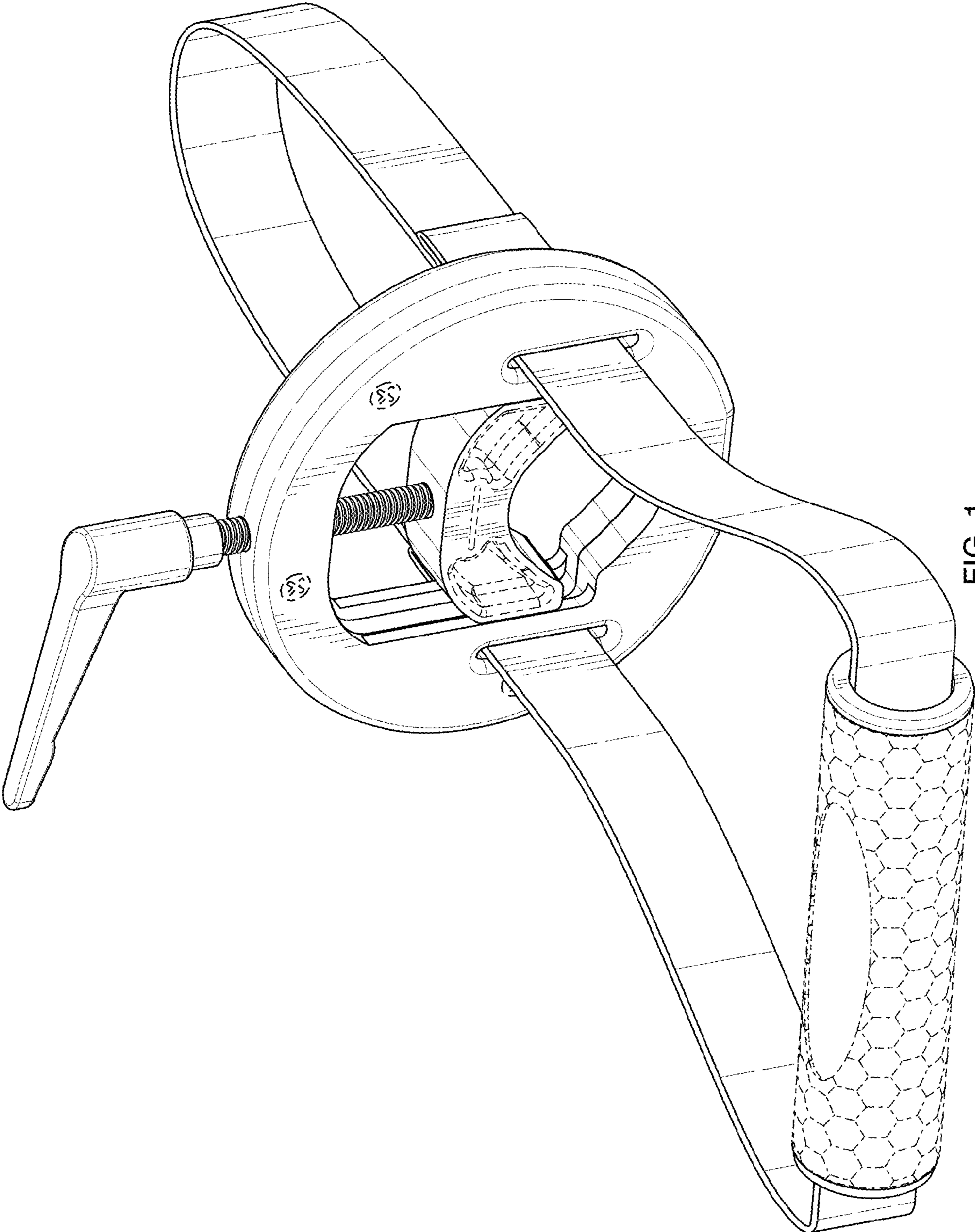


FIG. 1

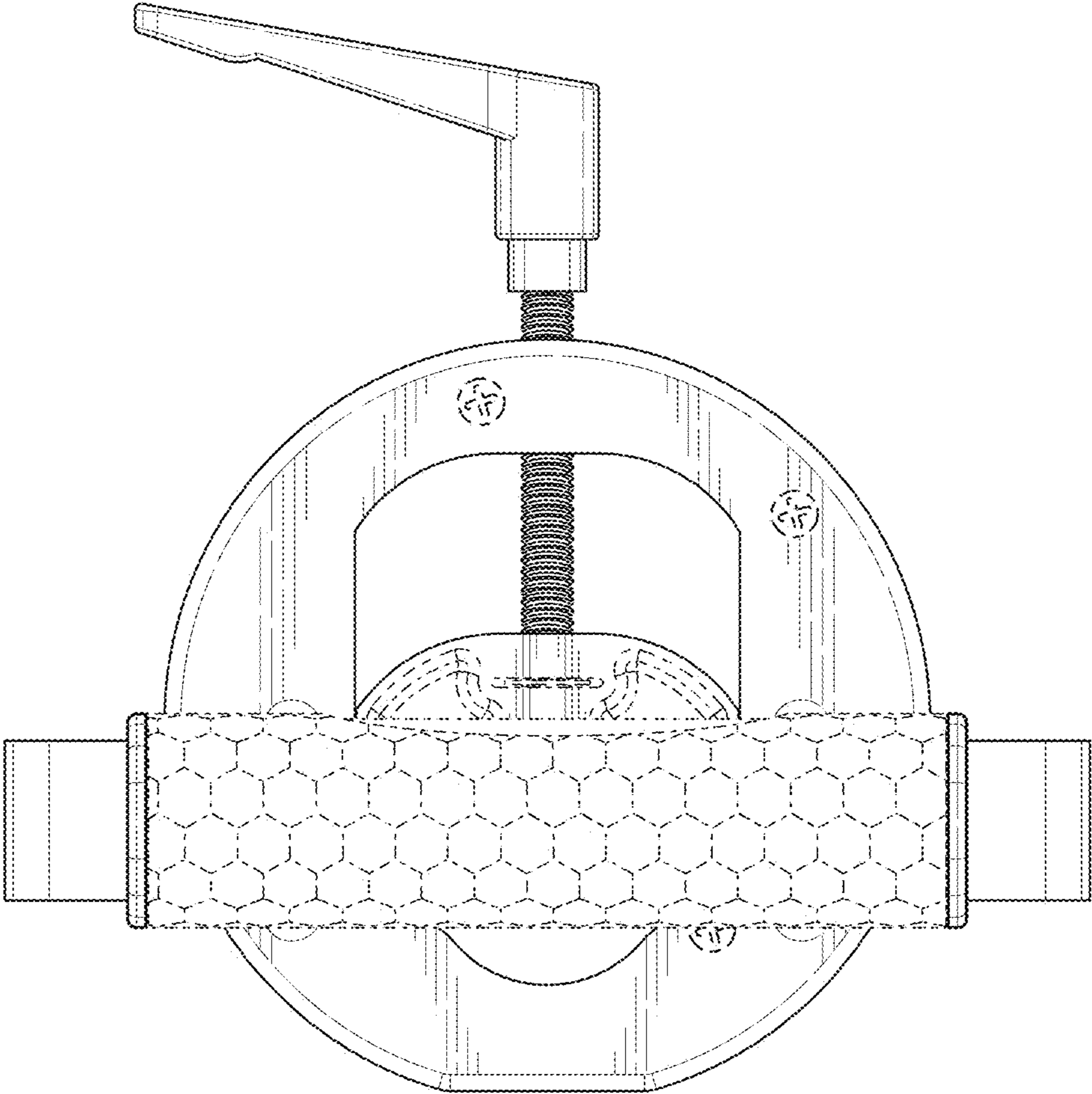


FIG. 2



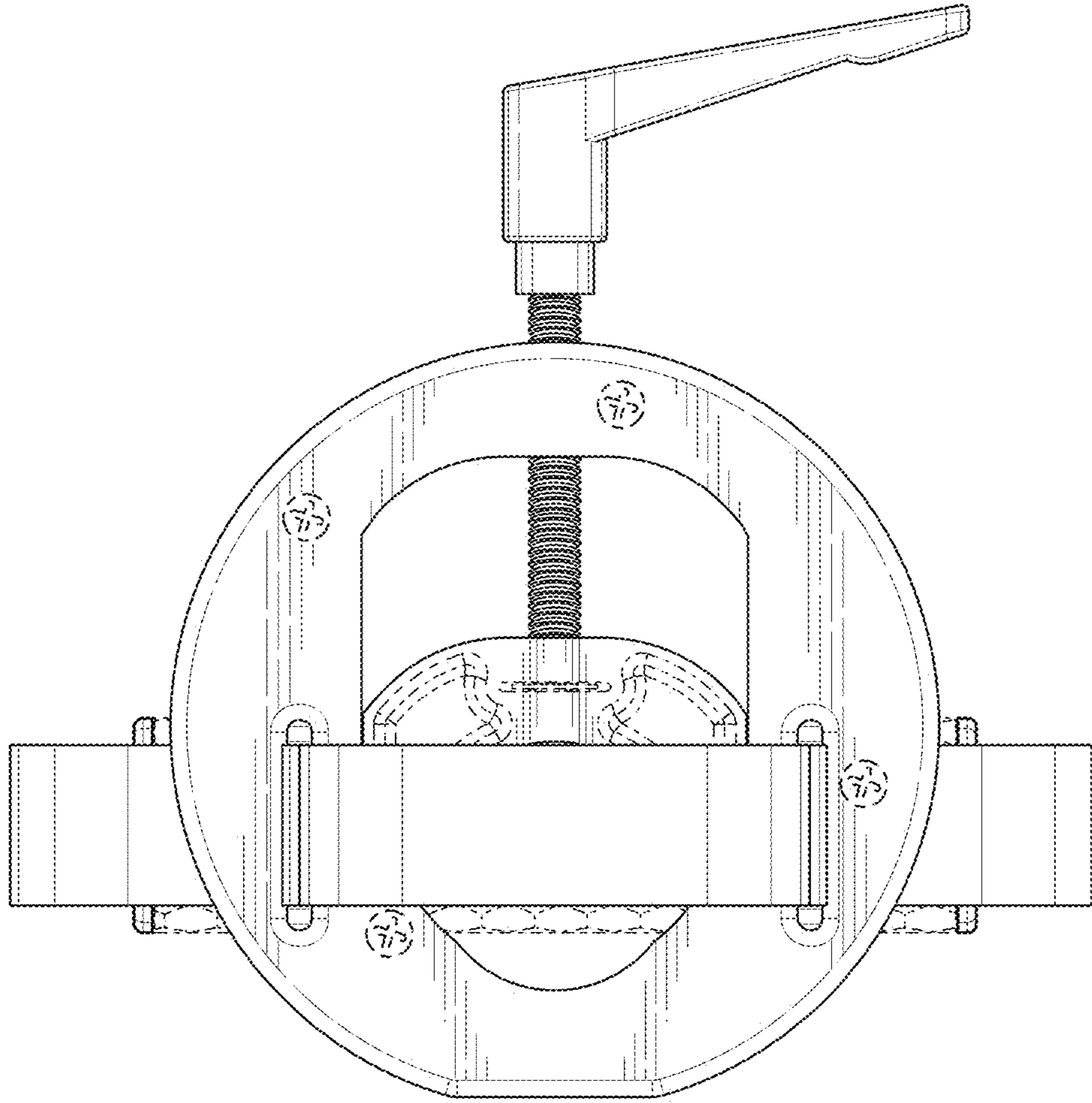


FIG. 3

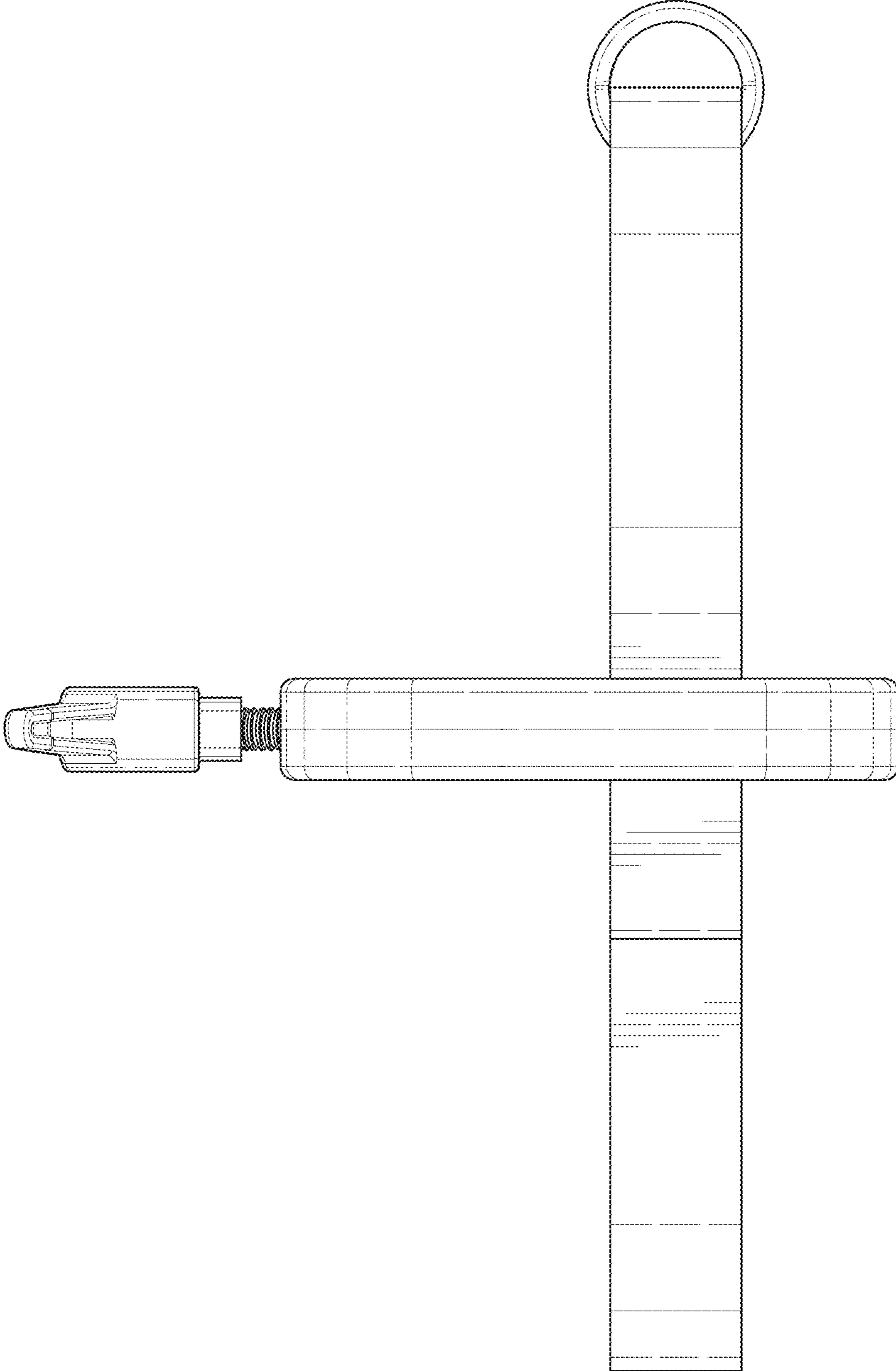


FIG. 4

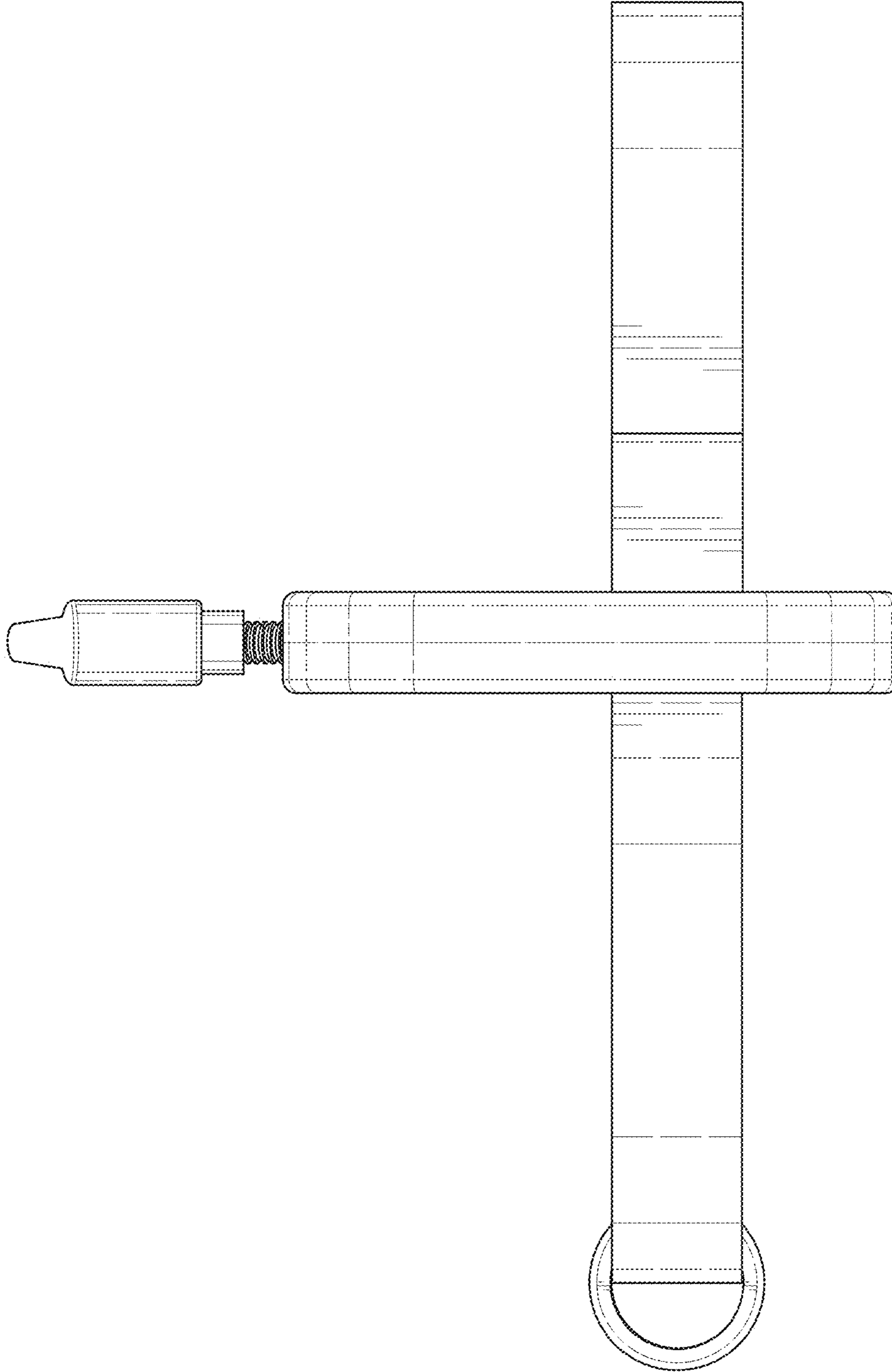


FIG. 5

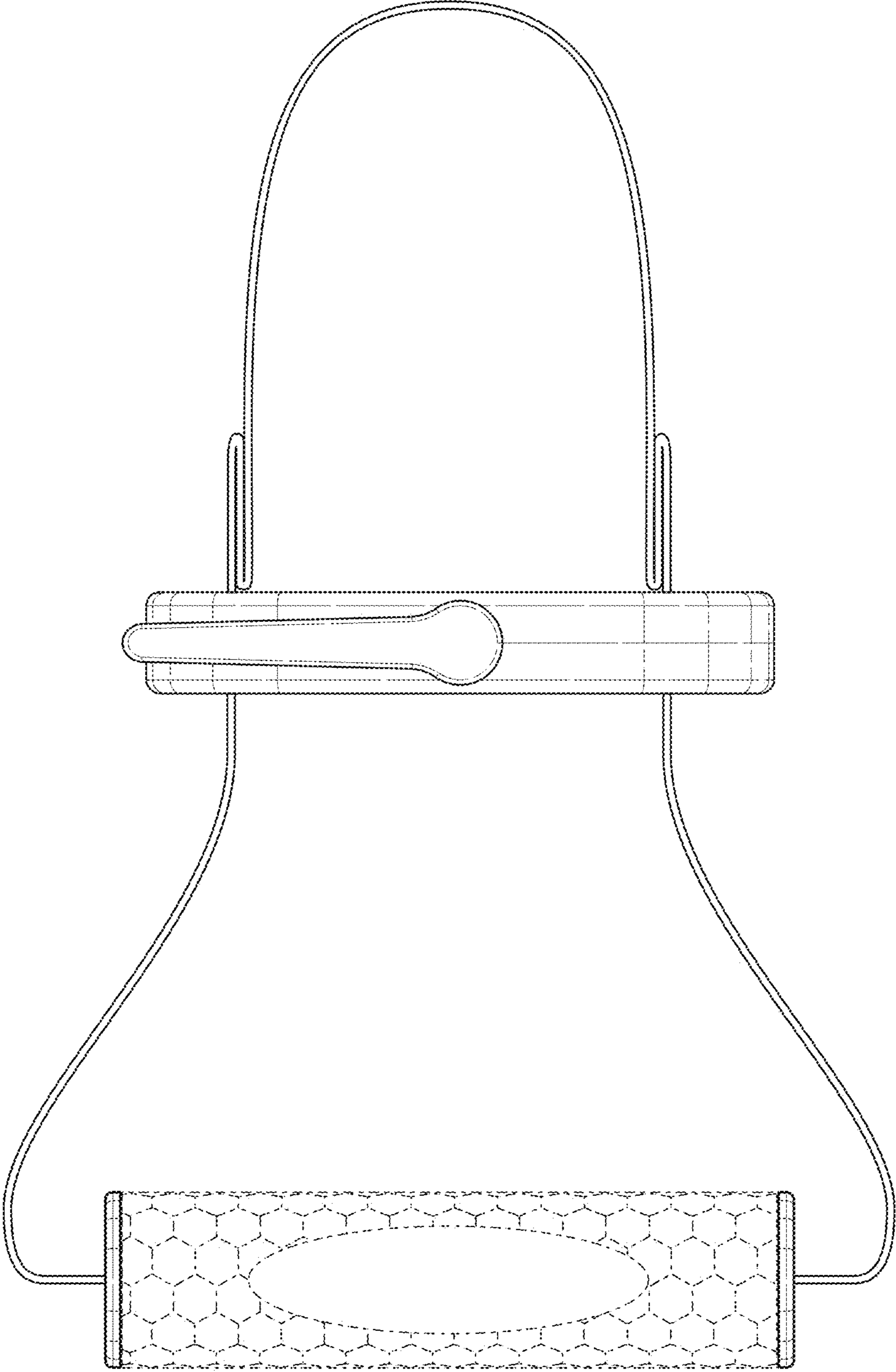


FIG. 6



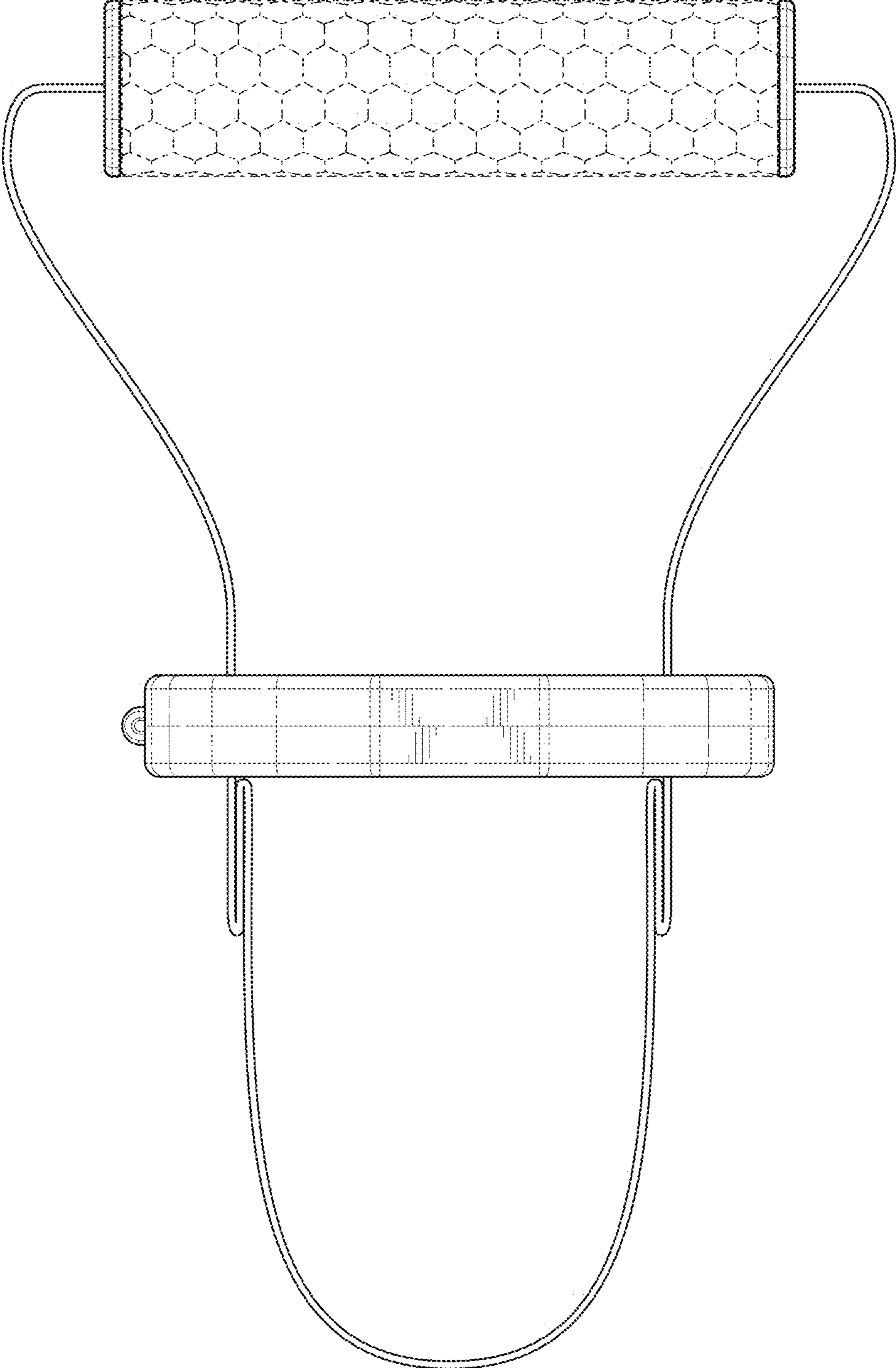


FIG. 7

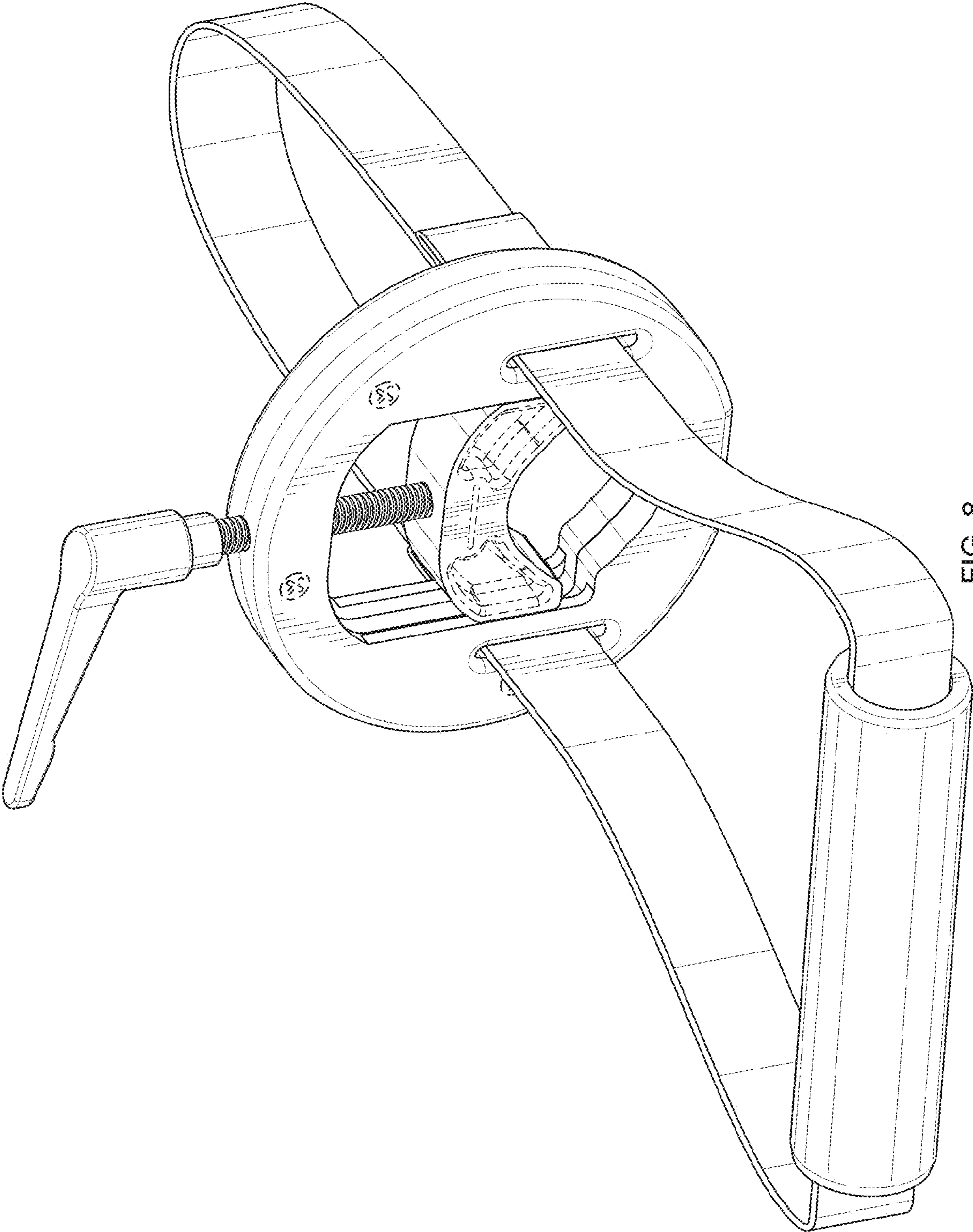


FIG. 8

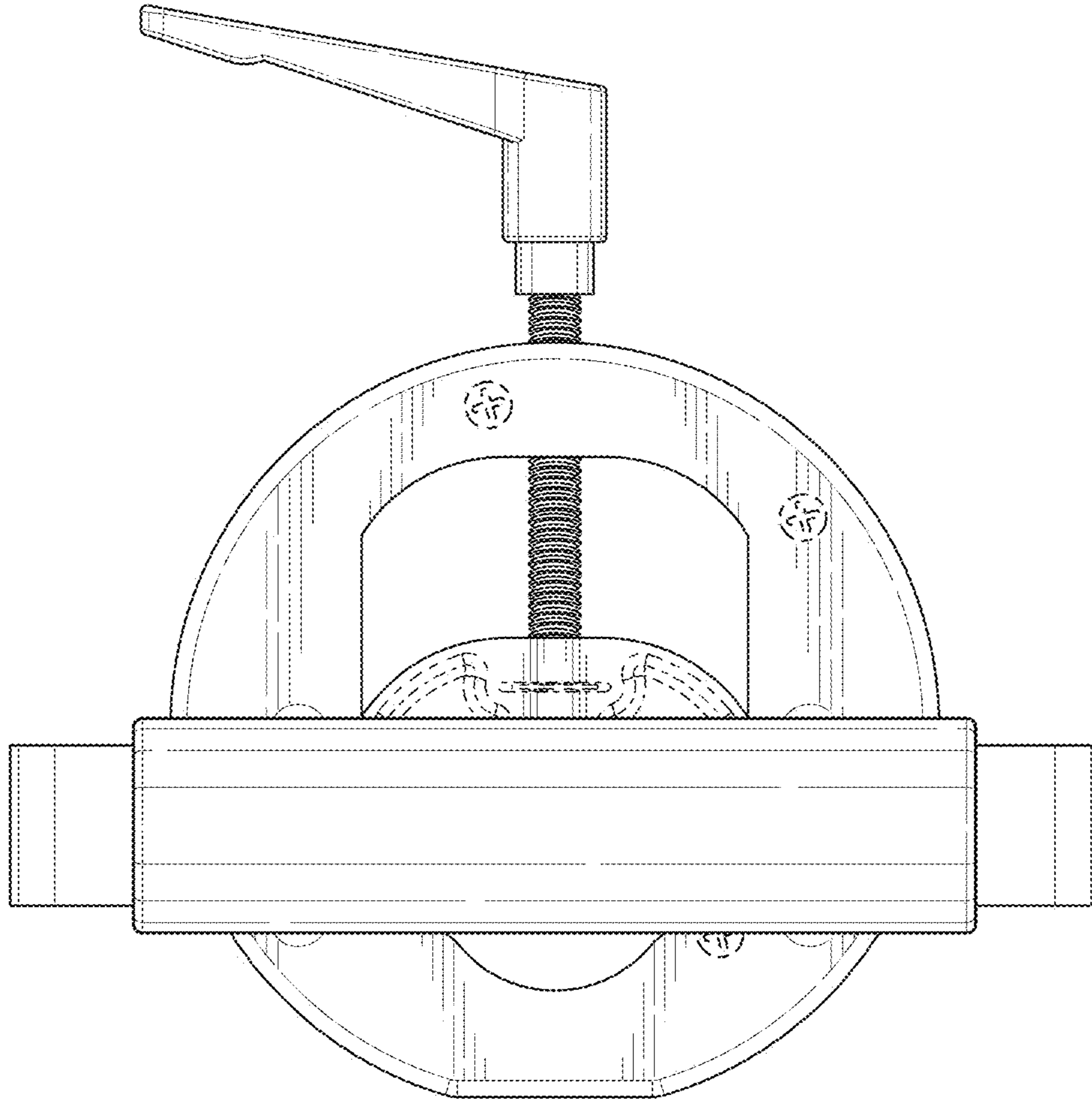


FIG. 9

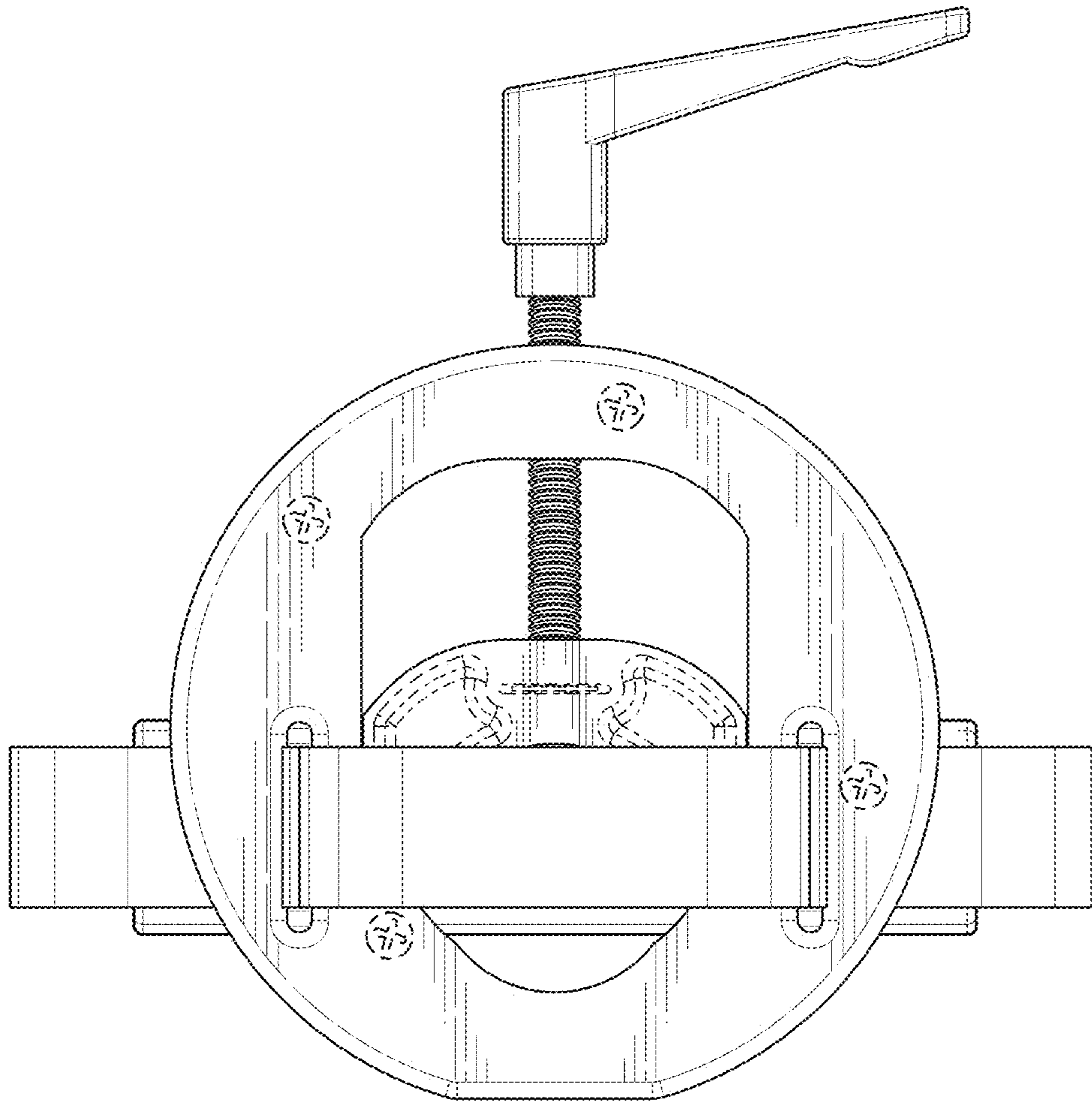


FIG. 10

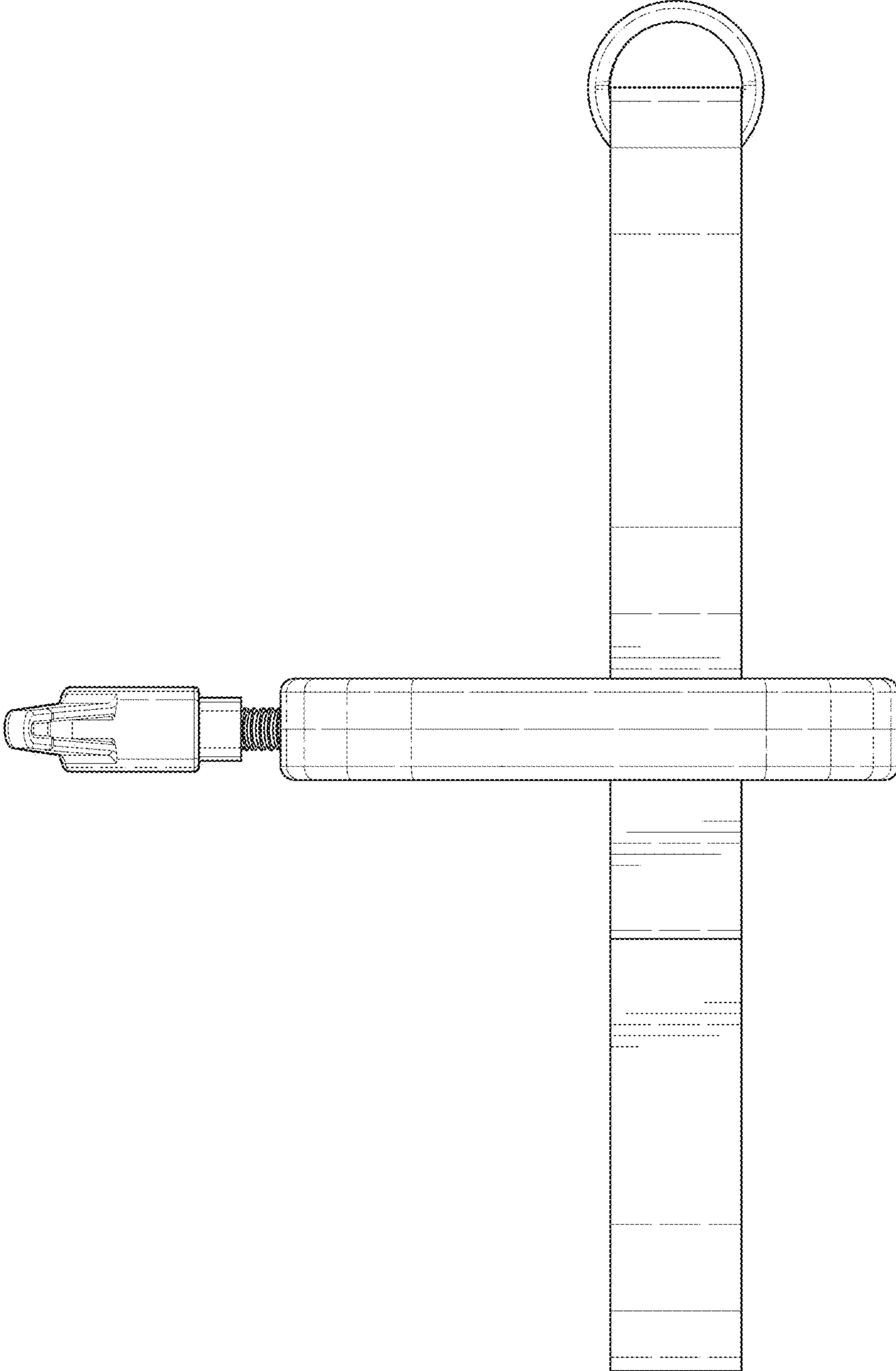


FIG. 11



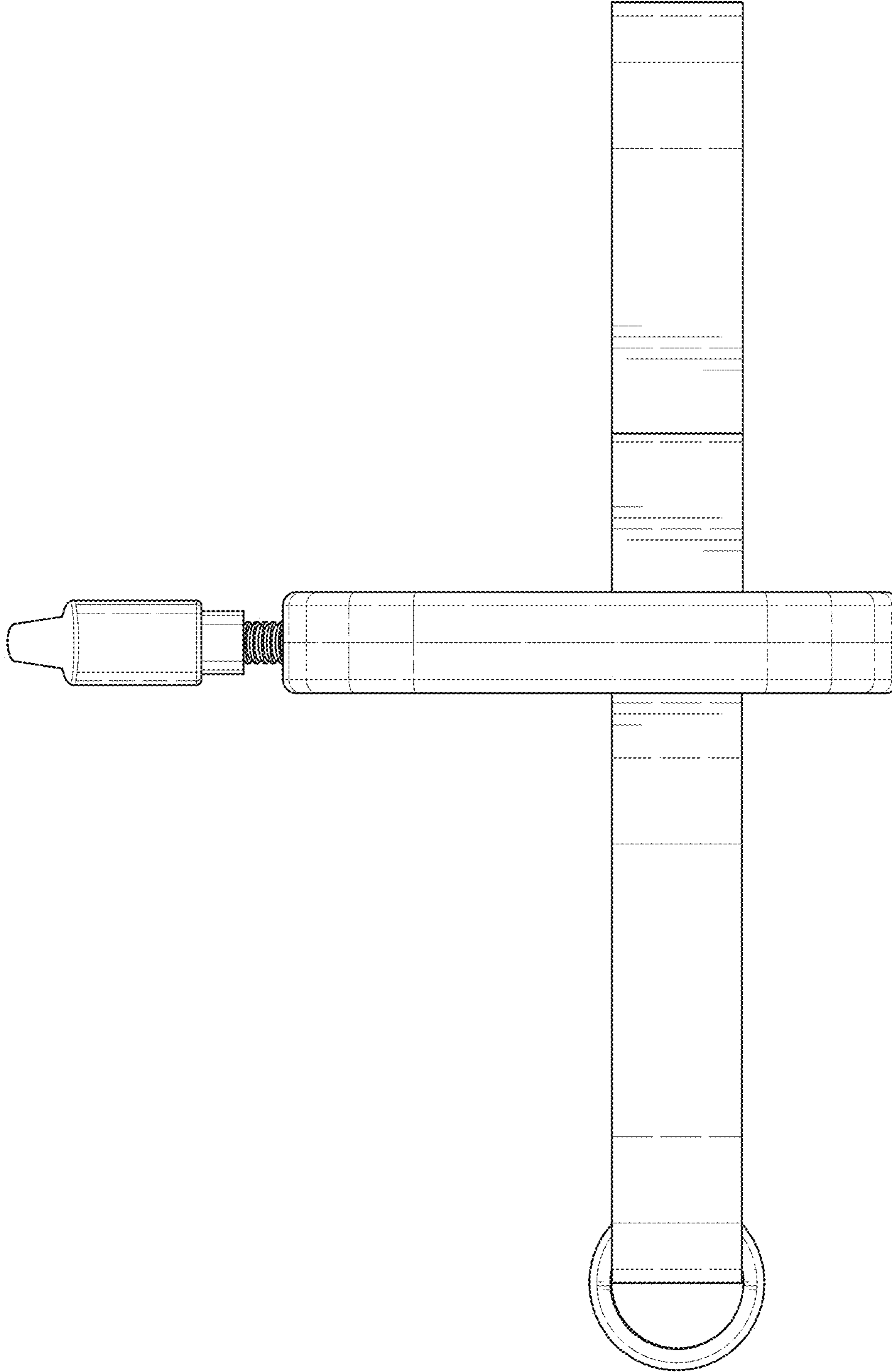


FIG. 12

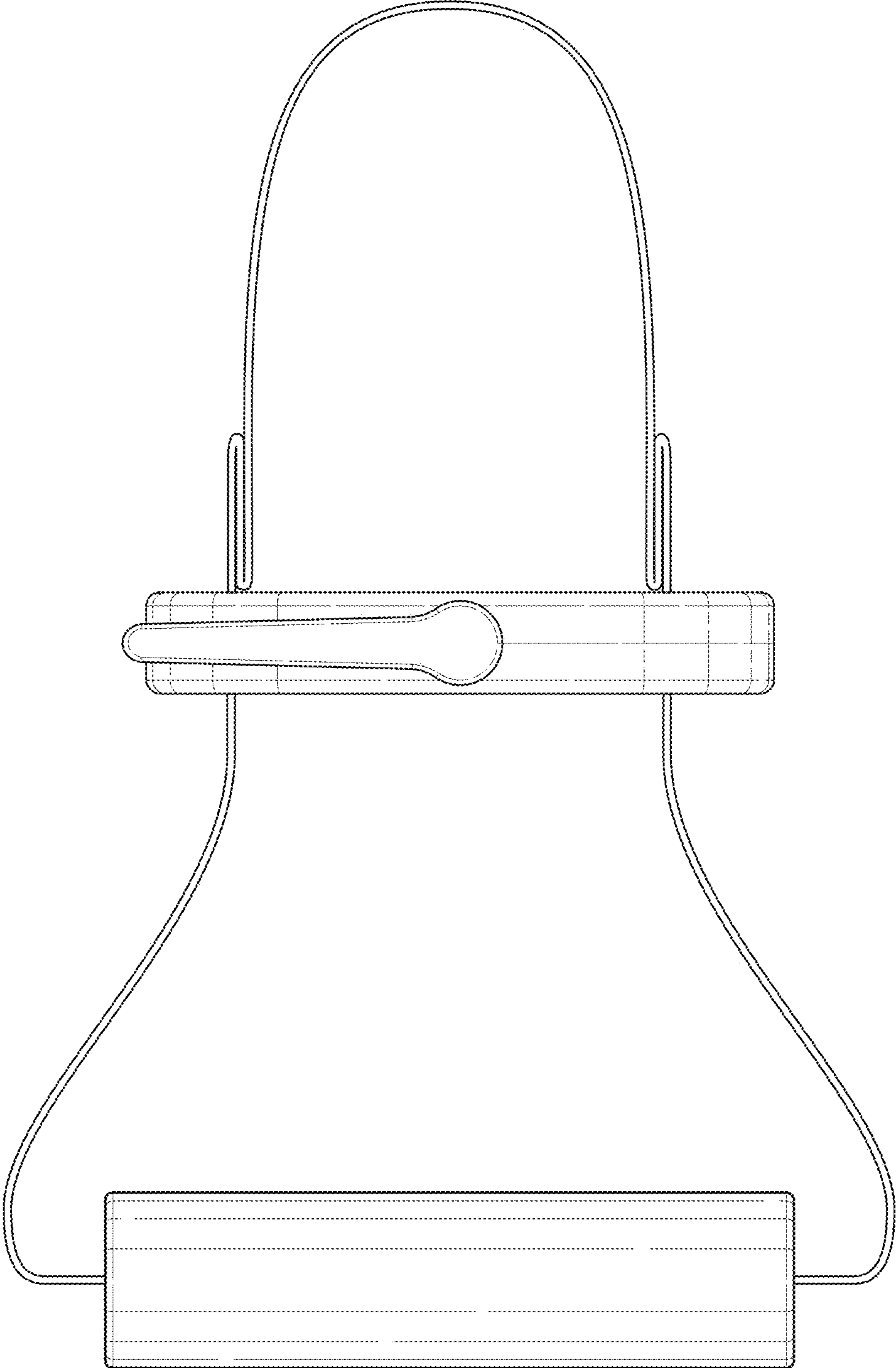


FIG. 13

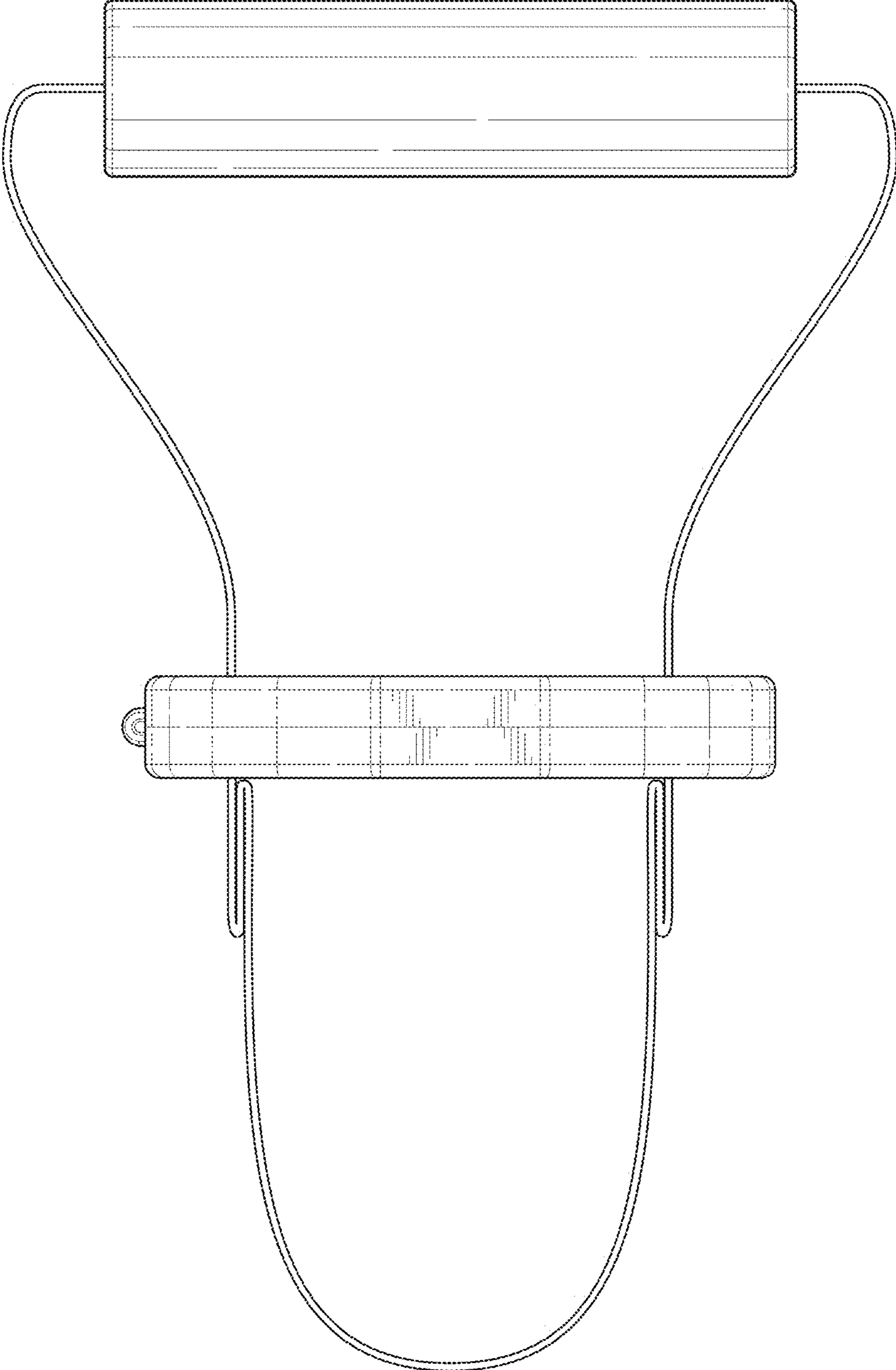


FIG. 14