



US00D889570S

(12) **United States Design Patent** (10) **Patent No.:** **US D889,570 S**  
**Petek** (45) **Date of Patent:** **\*\* Jul. 7, 2020**

(54) **WEIGHT BAR**  
(71) Applicant: **Richard C. Petek**, Medina, OH (US)  
(72) Inventor: **Richard C. Petek**, Medina, OH (US)  
(\* ) Notice: This patent is subject to a terminal disclaimer.  
(\*\*) Term: **15 Years**  
(21) Appl. No.: **29/654,660**  
(22) Filed: **Jun. 26, 2018**  
(51) **LOC (12) Cl.** ..... **21-02**  
(52) **U.S. Cl.**  
USPC ..... **D21/681**; D21/682  
(58) **Field of Classification Search**  
USPC ..... D21/662, 673, 675, 679-682, 684, 694  
CPC . A63B 21/0724; A63B 21/072; A63B 21/075;  
A63B 21/0726; A63B 211/4017; A63B  
23/12; A63B 23/03575; A63B 23/03516  
See application file for complete search history.

2005/0202942 A1\* 9/2005 De Lano ..... A63B 21/0724  
482/107  
2008/0176723 A1\* 7/2008 Johnson ..... A63B 21/0724  
482/106  
2010/0323854 A1\* 12/2010 Brandenburg ..... A63B 21/0724  
482/106

**OTHER PUBLICATIONS**

Internet Search URL>[https://www.amazon.com/CAP-Barbell-Regular-34-Inch-Triceps/product-reviews/B07L76S5LG/ref=cm\\_cr\\_getr\\_d\\_paging\\_btm\\_next\\_2?ie=UTF8&reviewerType=all\\_reviews&sortBy=recent&pageNumber=2](https://www.amazon.com/CAP-Barbell-Regular-34-Inch-Triceps/product-reviews/B07L76S5LG/ref=cm_cr_getr_d_paging_btm_next_2?ie=UTF8&reviewerType=all_reviews&sortBy=recent&pageNumber=2)[Date Searched Dec. 8, 2019] (Year: 2019).\*

\* cited by examiner

*Primary Examiner* — Shannon W Morgan  
*Assistant Examiner* — Keith Frank  
(74) *Attorney, Agent, or Firm* — Tucker Ellis LLP

(57) **CLAIM**

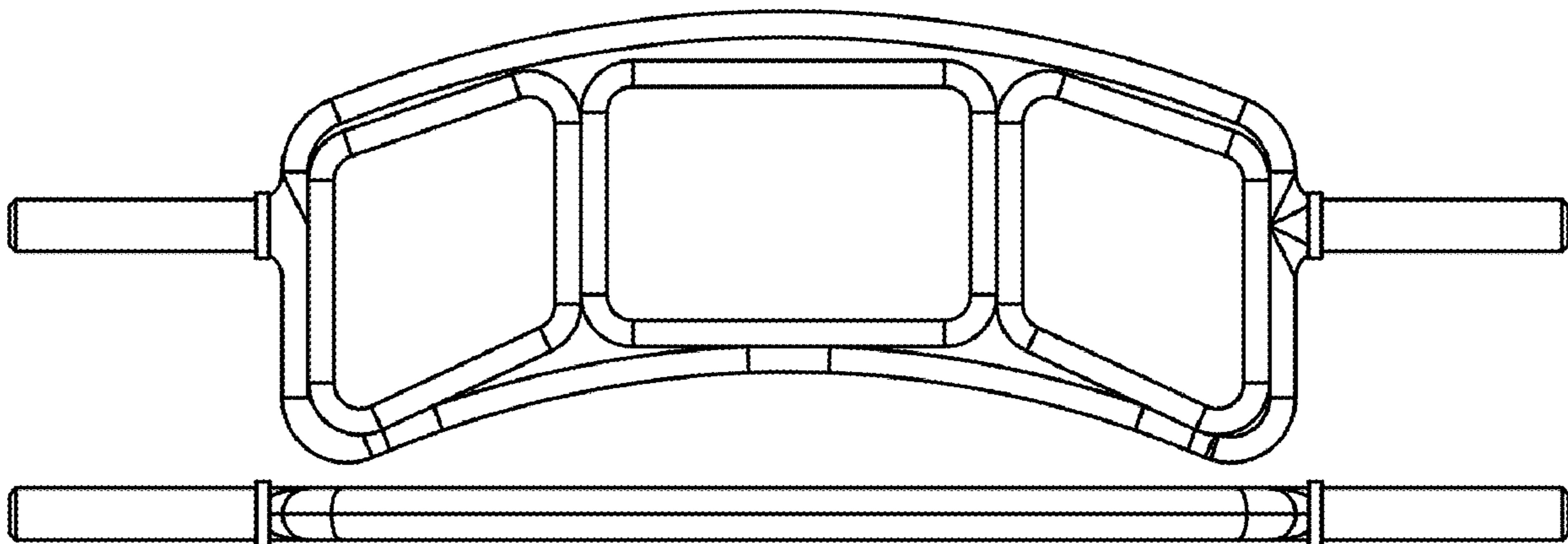
The ornamental design for a weight bar, as shown and described.

**DESCRIPTION**

FIG. 1 is a perspective view of a weight bar showing my new design;  
FIG. 2 is a front view thereof;  
FIG. 3 is a rear view thereof;  
FIG. 4 is a left side view thereof;  
FIG. 5 is a right side view thereof;  
FIG. 6 is a top view thereof; and  
FIG. 7 is a bottom view thereof;  
FIG. 8 is a perspective view of a second embodiment of the weight bar;  
FIG. 9 is a front view thereof;  
FIG. 10 is a rear view thereof;  
FIG. 11 is a left side view thereof;  
FIG. 12 is a right side view thereof;  
FIG. 13 is a top view thereof; and,  
FIG. 14 is a bottom view thereof.

(56) **References Cited**  
U.S. PATENT DOCUMENTS  
D261,788 S \* 11/1981 Burns ..... D21/682  
D317,641 S \* 6/1991 Gerard ..... D21/682  
D320,249 S \* 9/1991 Gerard ..... D21/682  
D425,151 S \* 5/2000 Landfair ..... D21/679  
D671,996 S \* 12/2012 Wierszewski ..... D21/680  
8,556,781 B1 \* 10/2013 Fitzpatrick ..... A63B 21/0724  
482/106  
8,951,170 B1 \* 2/2015 Tayo ..... A63B 21/0724  
482/107  
D731,008 S \* 6/2015 Orakwusi ..... D21/681  
9,254,408 B1 \* 2/2016 Otto ..... A63B 21/055  
9,254,410 B1 \* 2/2016 Mirza ..... A63B 21/0004  
D811,497 S \* 2/2018 Petek ..... D21/682  
D816,782 S \* 5/2018 Petek ..... D21/681  
D834,660 S \* 11/2018 Petek ..... D21/682  
D843,512 S \* 3/2019 Petek ..... D21/682  
2003/0130096 A1 \* 7/2003 LaCroce ..... A63B 21/0724  
482/106

**1 Claim, 10 Drawing Sheets**



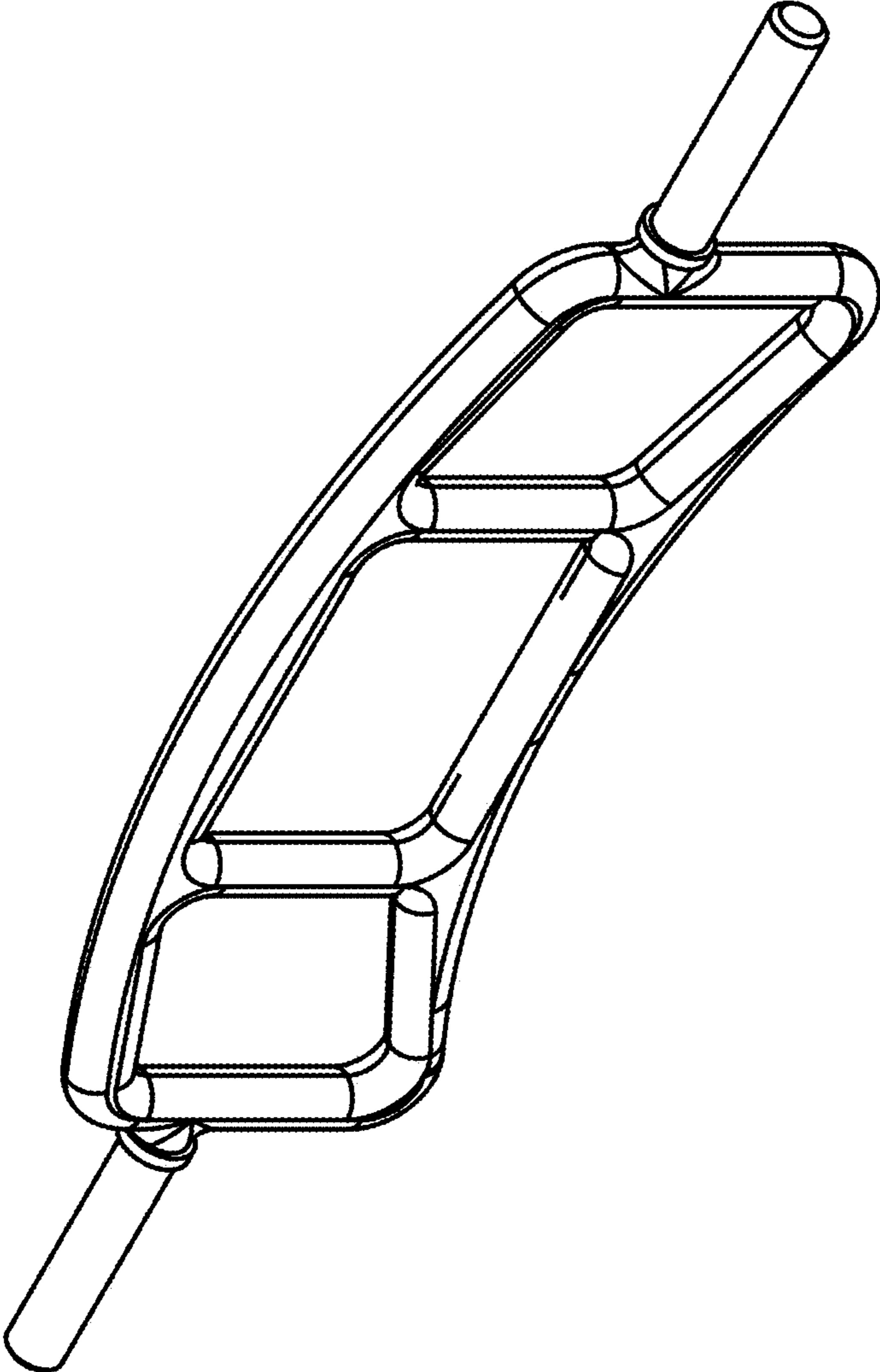


FIG. 1

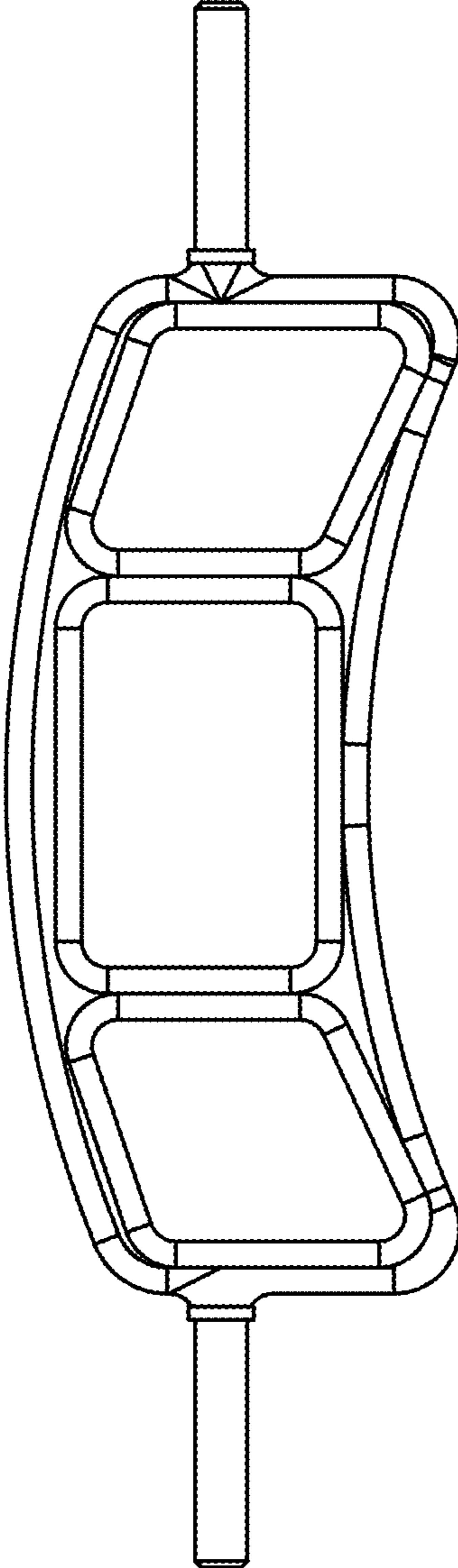


FIG. 2

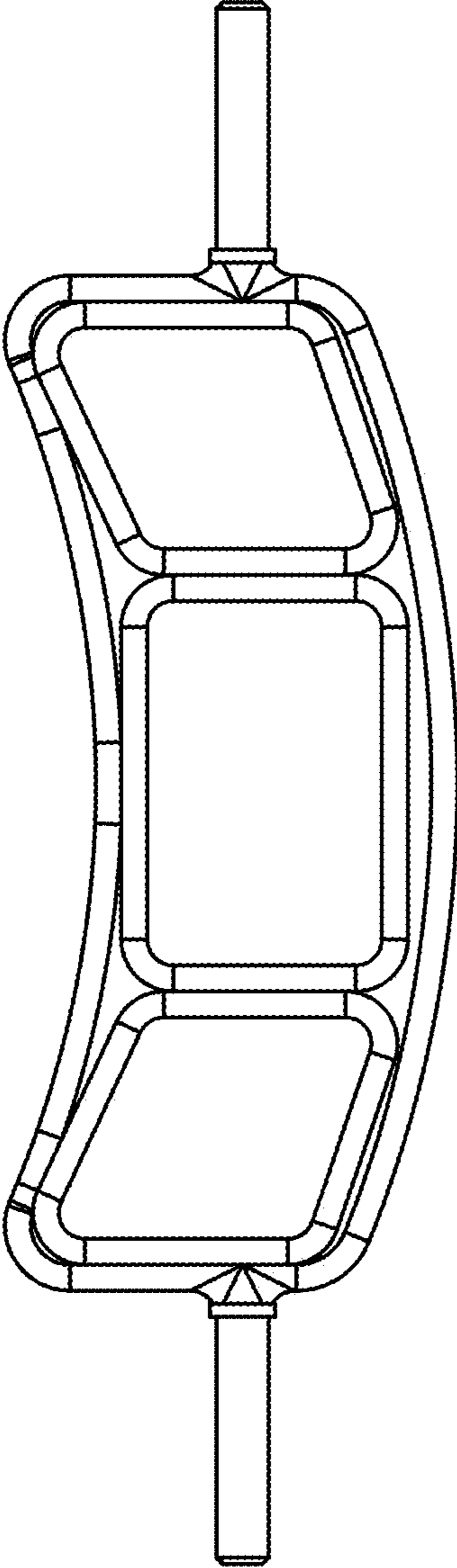


FIG. 3



FIG. 5



FIG. 4



FIG. 6

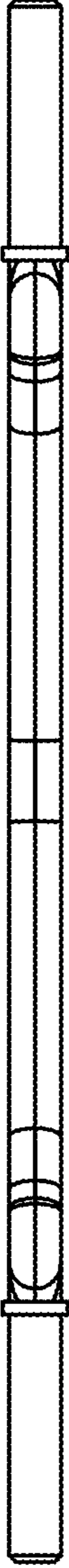


FIG. 7

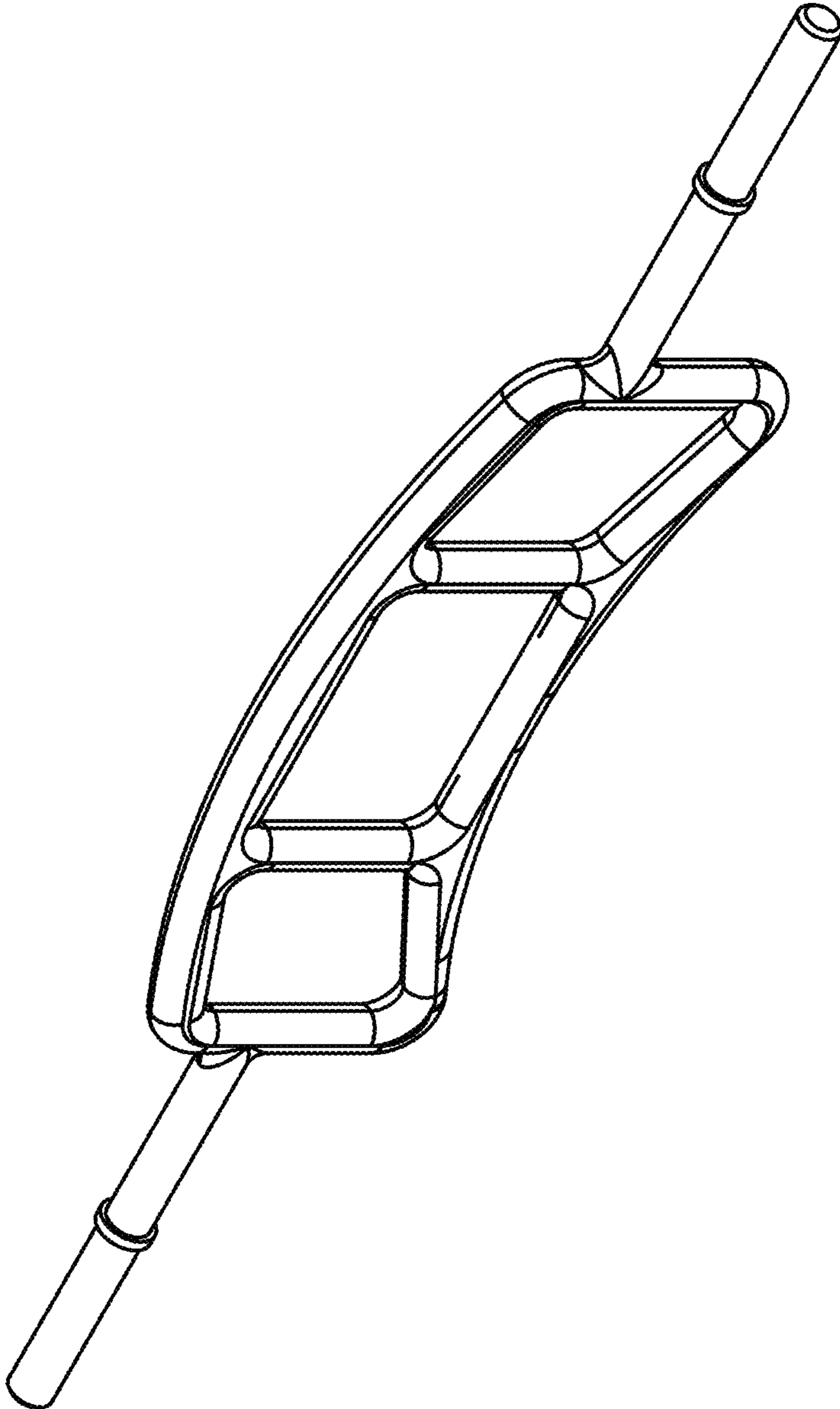


FIG. 8

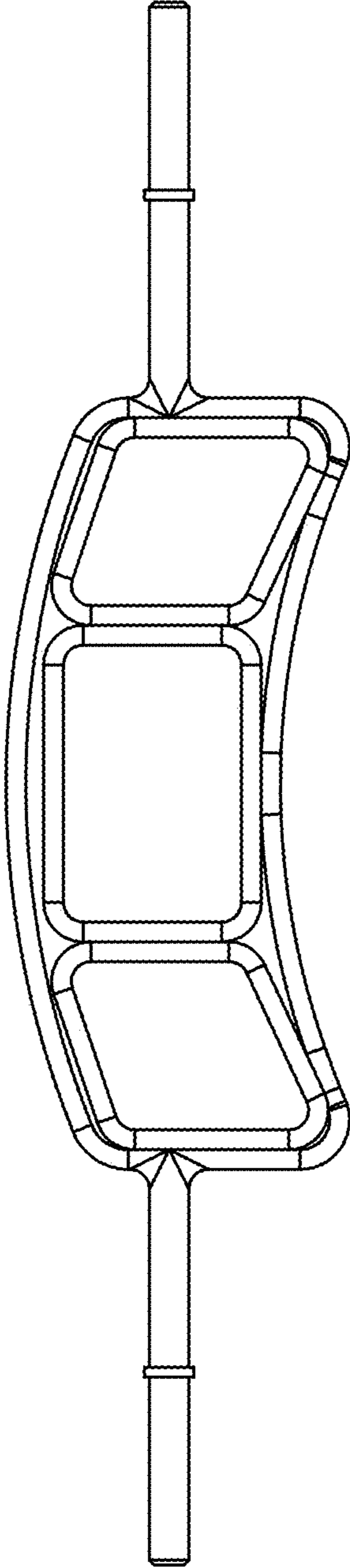


FIG. 9



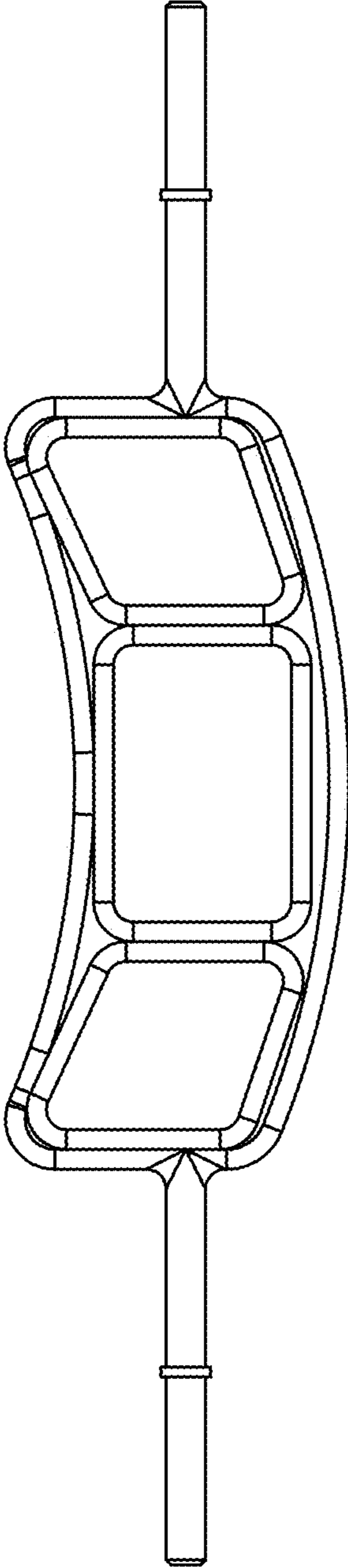


FIG. 10



FIG. 12



FIG. 11



FIG. 13



FIG. 14