



US00D889569S

(12) **United States Design Patent**  
**Luo**

(10) **Patent No.:** **US D889,569 S**

(45) **Date of Patent:** **\*\* Jul. 7, 2020**

(54) **TREADMILL**

(71) Applicant: **Jiangxi EQI Industrial Co., Ltd,**  
Jiangxi (CN)

(72) Inventor: **Xietong Luo,** Jiangxi (CN)

(73) Assignee: **Jiangxi EQI Industrial Co., Ltd,**  
Jiangxi (CN)

(\*\*) Term: **15 Years**

(21) Appl. No.: **29/709,884**

(22) Filed: **Oct. 18, 2019**

(51) **LOC (12) Cl.** ..... **21-02**

(52) **U.S. Cl.**  
USPC ..... **D21/669**

(58) **Field of Classification Search**  
USPC ..... 482/54, 2, 51, 8, 70, 146; D21/669;  
198/439, 456; D30/160; 601/35, 23, 5,  
601/34  
CPC . A63B 22/02; A63B 22/0023; A63B 22/0235;  
A63B 2210/50; A63B 22/0285; A63B  
22/0242; A63B 2022/025; A63B 2225/30;  
A63B 2022/0214; A63B 2220/13; A63B  
2022/0228; A63B 2210/56; A63B  
2024/0093; A63B 2022/0207; A63B  
22/0012; A63B 22/0257; A61H 3/008;  
A61H 1/0262; A61H 2201/164; A01K  
15/027

See application file for complete search history.

(56) **References Cited**

**U.S. PATENT DOCUMENTS**

- 1,211,765 A \* 1/1917 Schmidt ..... A63B 22/02  
482/54
- 4,614,336 A \* 9/1986 Taitel ..... A63B 21/015  
482/54
- 4,757,987 A \* 7/1988 Allemand ..... A63B 22/02  
482/54
- D325,951 S \* 5/1992 Johnson ..... D21/669
- D355,227 S \* 2/1995 Summers ..... D21/669

- D374,260 S \* 10/1996 Snyderman ..... D21/669
- 5,709,632 A \* 1/1998 Socwell ..... A63B 22/0012  
482/51
- 5,711,745 A \* 1/1998 Yang ..... A63B 22/02  
482/51
- 5,746,682 A \* 5/1998 Hung ..... A63B 22/02  
482/51
- D413,366 S \* 8/1999 Husted ..... D21/668
- D416,298 S \* 11/1999 Onuma ..... D21/669
- 6,042,514 A \* 3/2000 Abelbeck ..... A63B 22/02  
198/439

(Continued)

**FOREIGN PATENT DOCUMENTS**

CN 304920571 11/2018

**OTHER PUBLICATIONS**

ncient by ncient dated Aug. 12, 2018. Found online [Dec. 18, 2019]  
[https://www.amazon.com/ncient-Electric-Treadmill-Motorized-HP-Orange\\_Not/dp/B082FDDQGC/ref=cm\\_cr\\_ar\\_p\\_d\\_product\\_top?ie=UTF8](https://www.amazon.com/ncient-Electric-Treadmill-Motorized-HP-Orange_Not/dp/B082FDDQGC/ref=cm_cr_ar_p_d_product_top?ie=UTF8).\*

*Primary Examiner* — Ryan Harvey

(74) *Attorney, Agent, or Firm* — JCIP Global Inc.

(57) **CLAIM**

The ornamental design for a treadmill, as shown and described.

**DESCRIPTION**

FIG. 1 is a perspective view of a treadmill showing my new design;

FIG. 2 is a front view thereof;

FIG. 3 is a rear view thereof;

FIG. 4 is a left side view thereof;

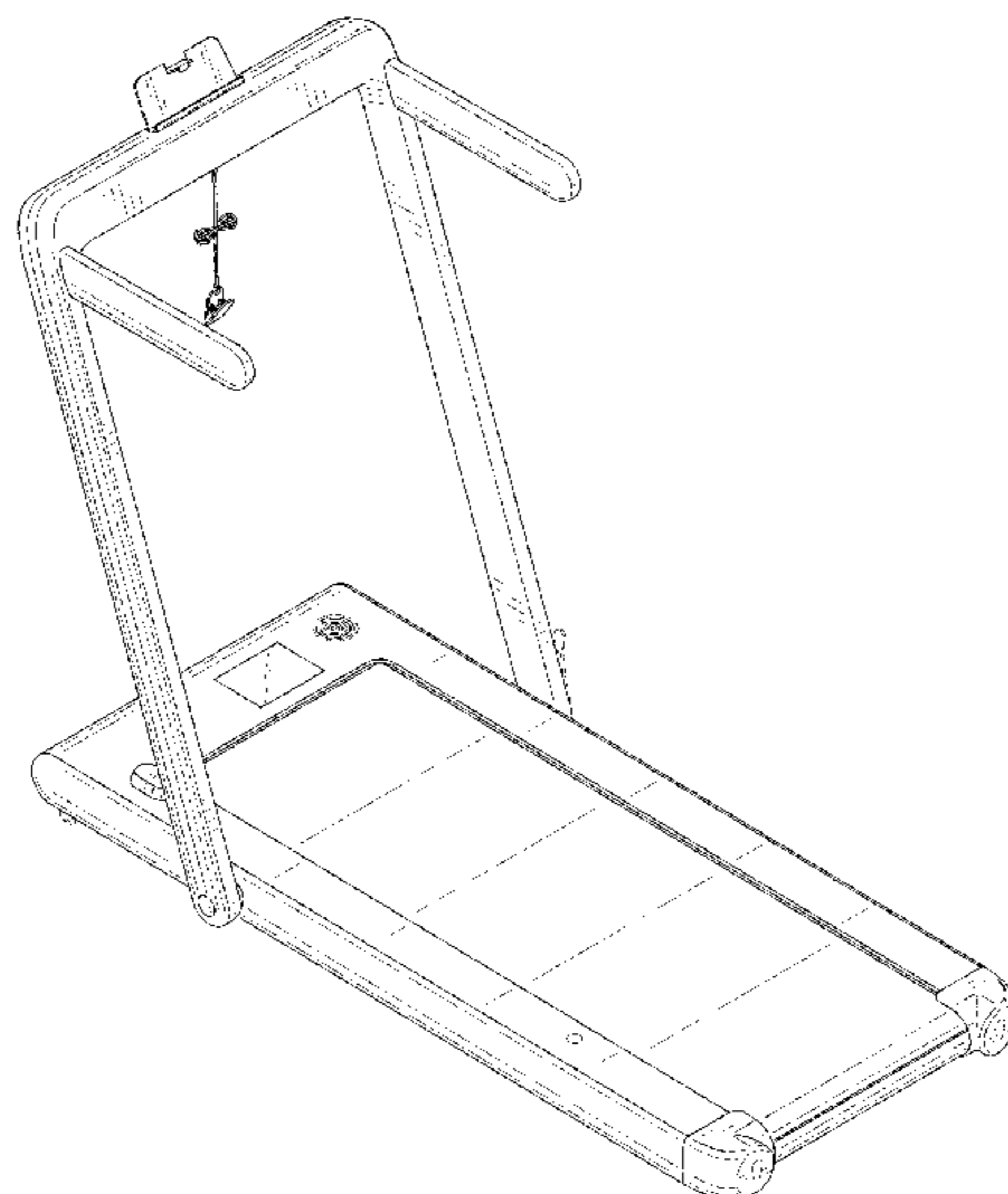
FIG. 5 is a right side view thereof;

FIG. 6 is a top view thereof; and,

FIG. 7 is a bottom view thereof.

The broken lines depict portions of the treadmill that form no part of the claimed design.

**1 Claim, 7 Drawing Sheets**



(56)

**References Cited**

U.S. PATENT DOCUMENTS

6,390,955 B1 \* 5/2002 Wang ..... A63B 22/02  
482/54  
6,527,678 B1 \* 3/2003 Wang ..... A63B 22/0235  
482/51  
6,561,953 B1 \* 5/2003 Chang ..... A63B 22/0235  
482/51  
D484,554 S \* 12/2003 Hellman, Jr. .... D21/669  
D579,992 S 11/2008 Cesaroni  
D607,067 S \* 12/2009 Wu ..... D21/669  
D657,833 S 4/2012 Cloutier  
D690,782 S \* 10/2013 Perkins ..... D21/669  
D728,045 S 4/2015 Hubler et al.  
D739,902 S 9/2015 Hubler et al.  
D751,156 S \* 3/2016 Tasca ..... D21/669  
2006/0160665 A1 \* 7/2006 Tai ..... A63B 22/0023  
482/54  
2009/0170666 A1 \* 7/2009 Chiang ..... A63B 22/02  
482/54  
2016/0096064 A1 \* 4/2016 Gatti ..... A63B 22/02  
482/54  
2016/0144225 A1 \* 5/2016 Dalebout ..... A63B 22/02  
482/54  
2016/0279465 A1 \* 9/2016 Chang ..... A63B 22/02  
2016/0287930 A1 \* 10/2016 Moser ..... A63B 71/0622  
2017/0333751 A1 \* 11/2017 Seol ..... A63B 24/0062  
2017/0340917 A1 \* 11/2017 Chang ..... B32B 5/02

\* cited by examiner

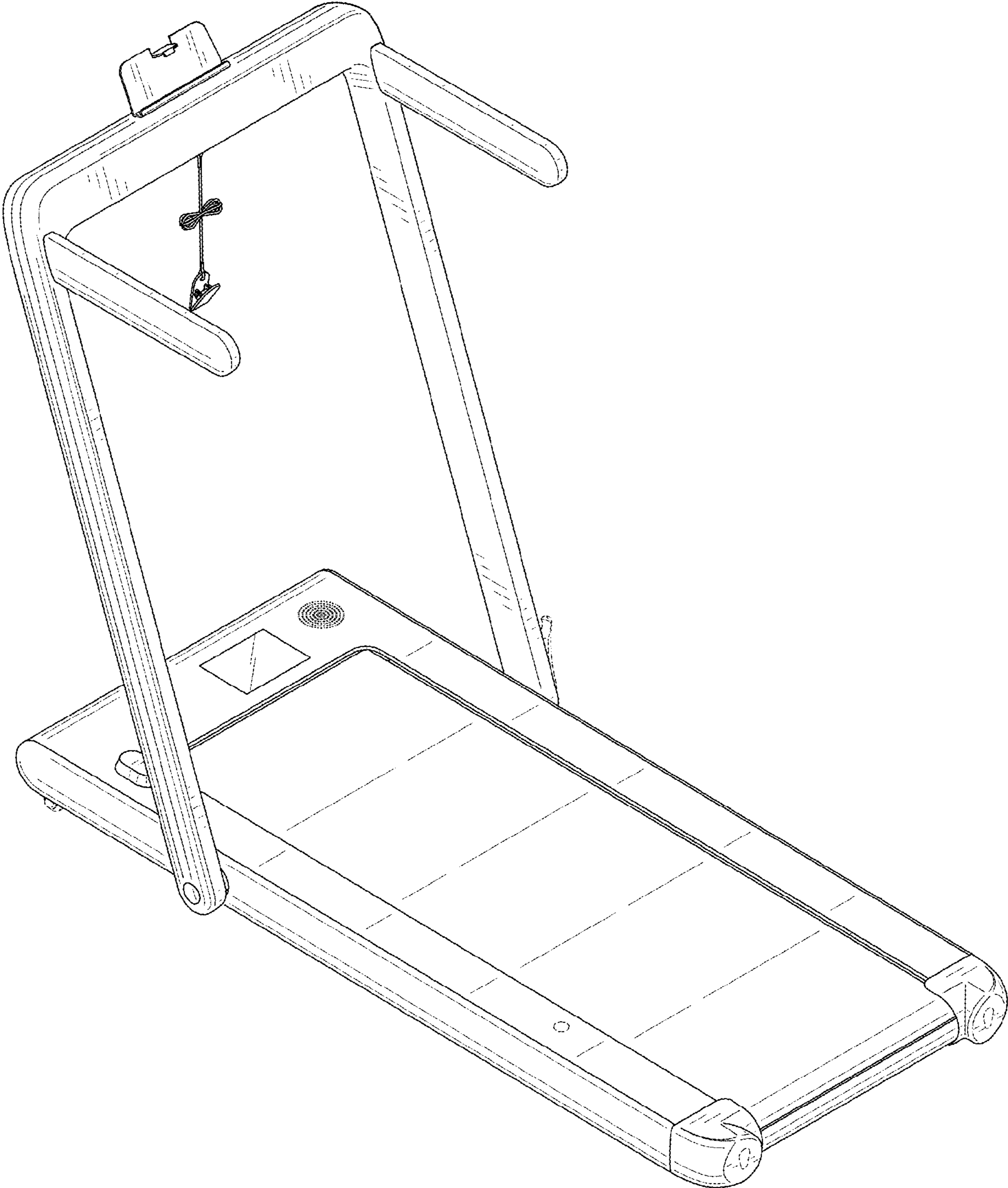


FIG. 1

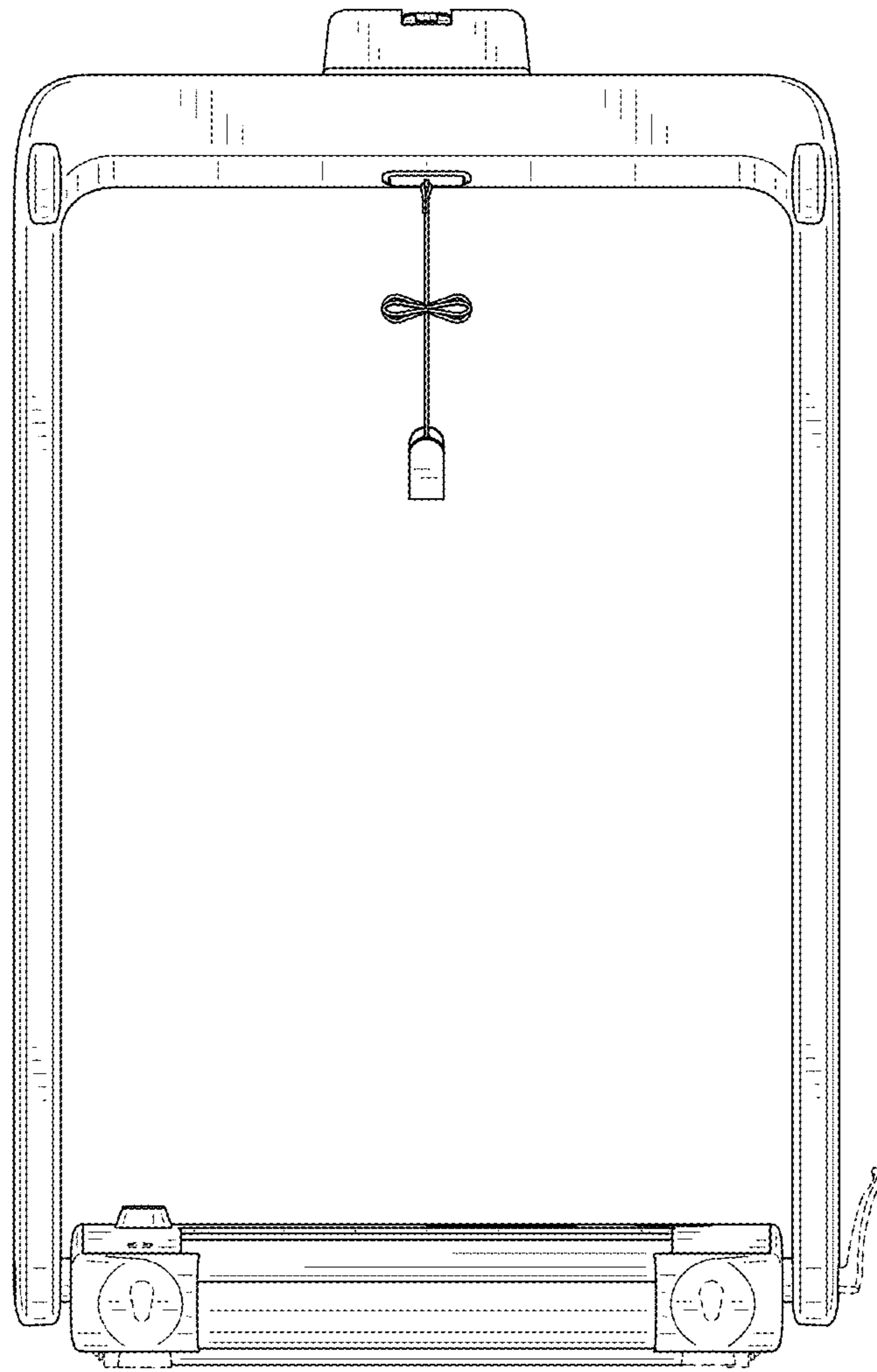


FIG. 2

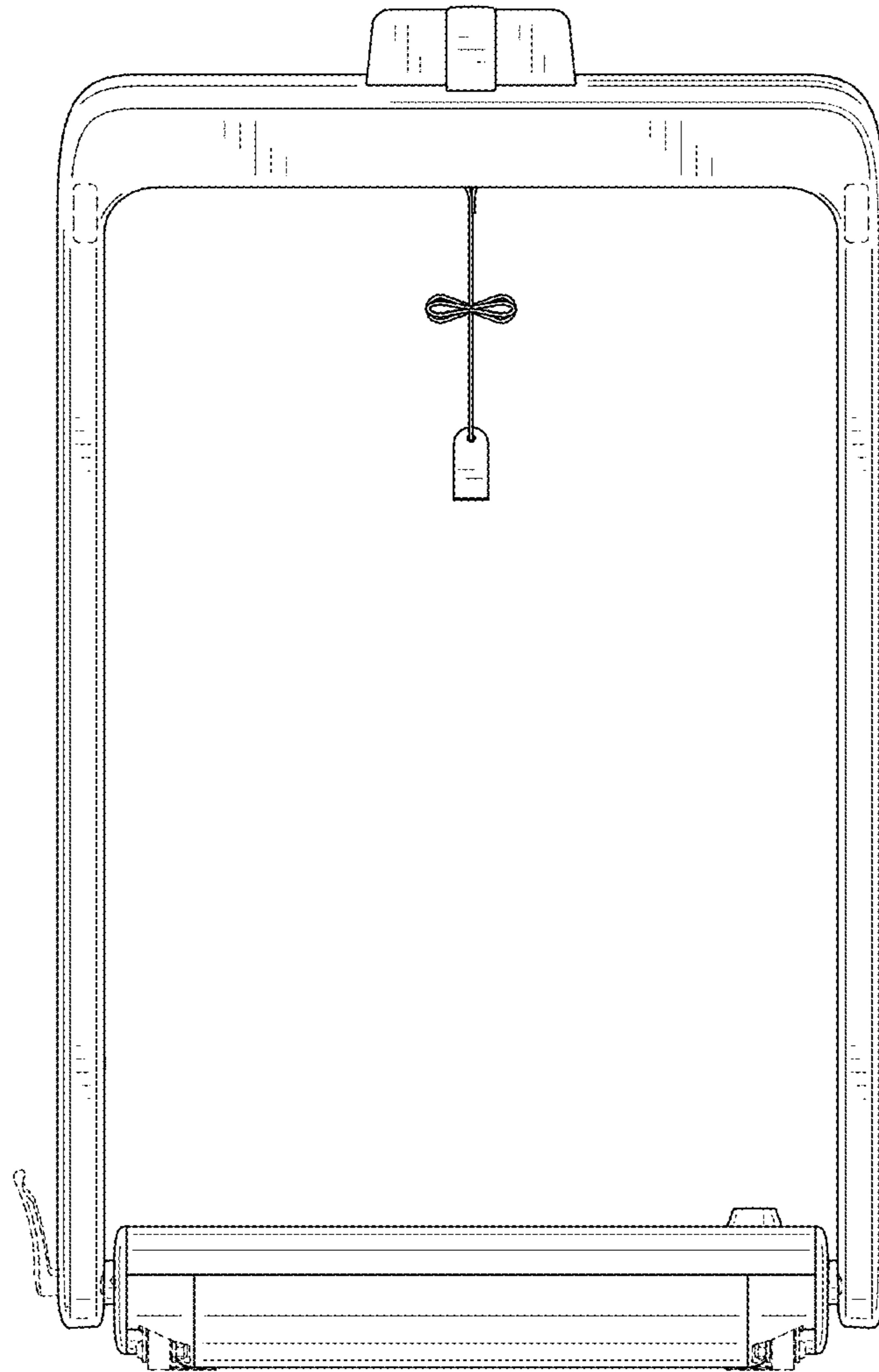


FIG. 3



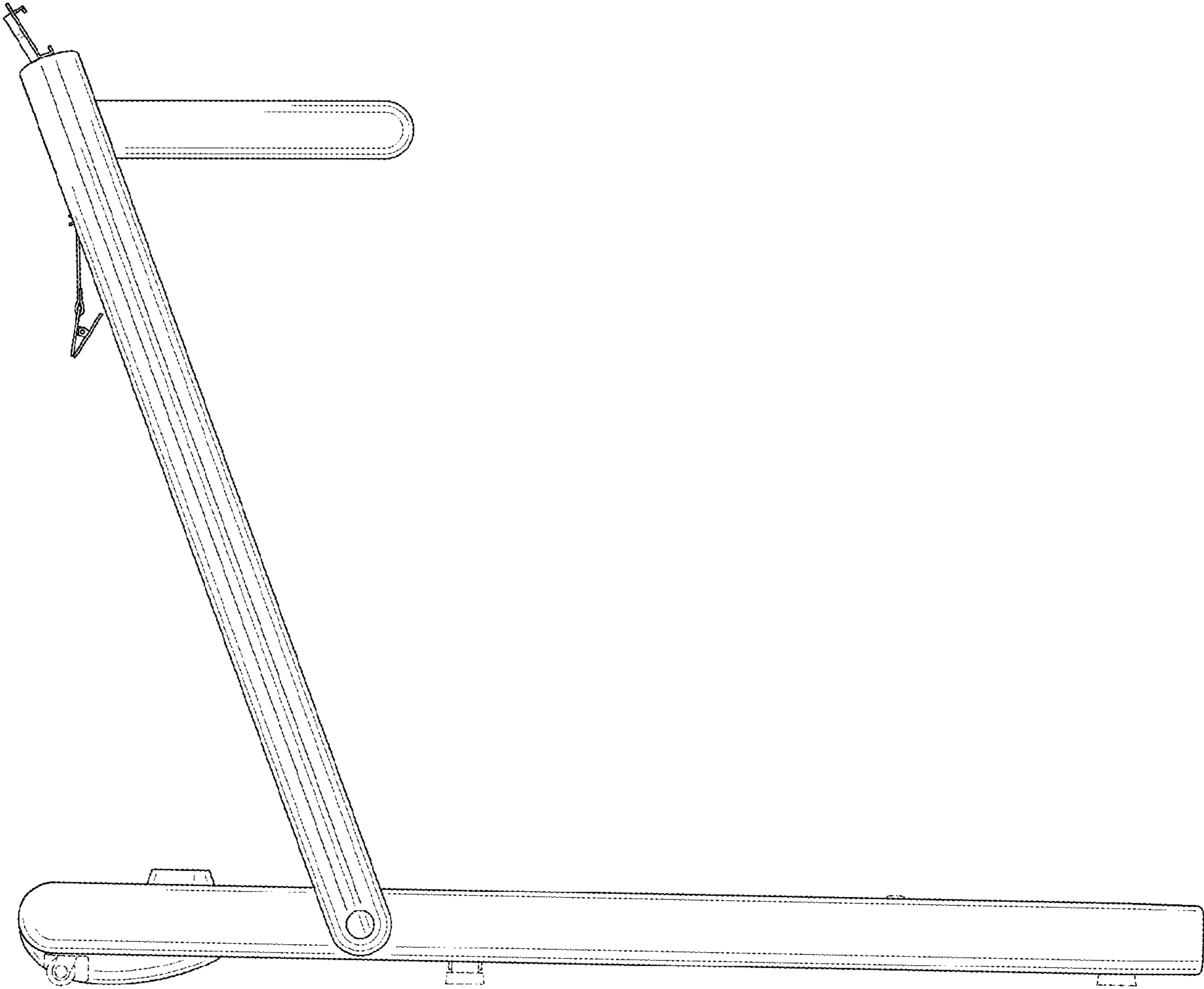


FIG. 4

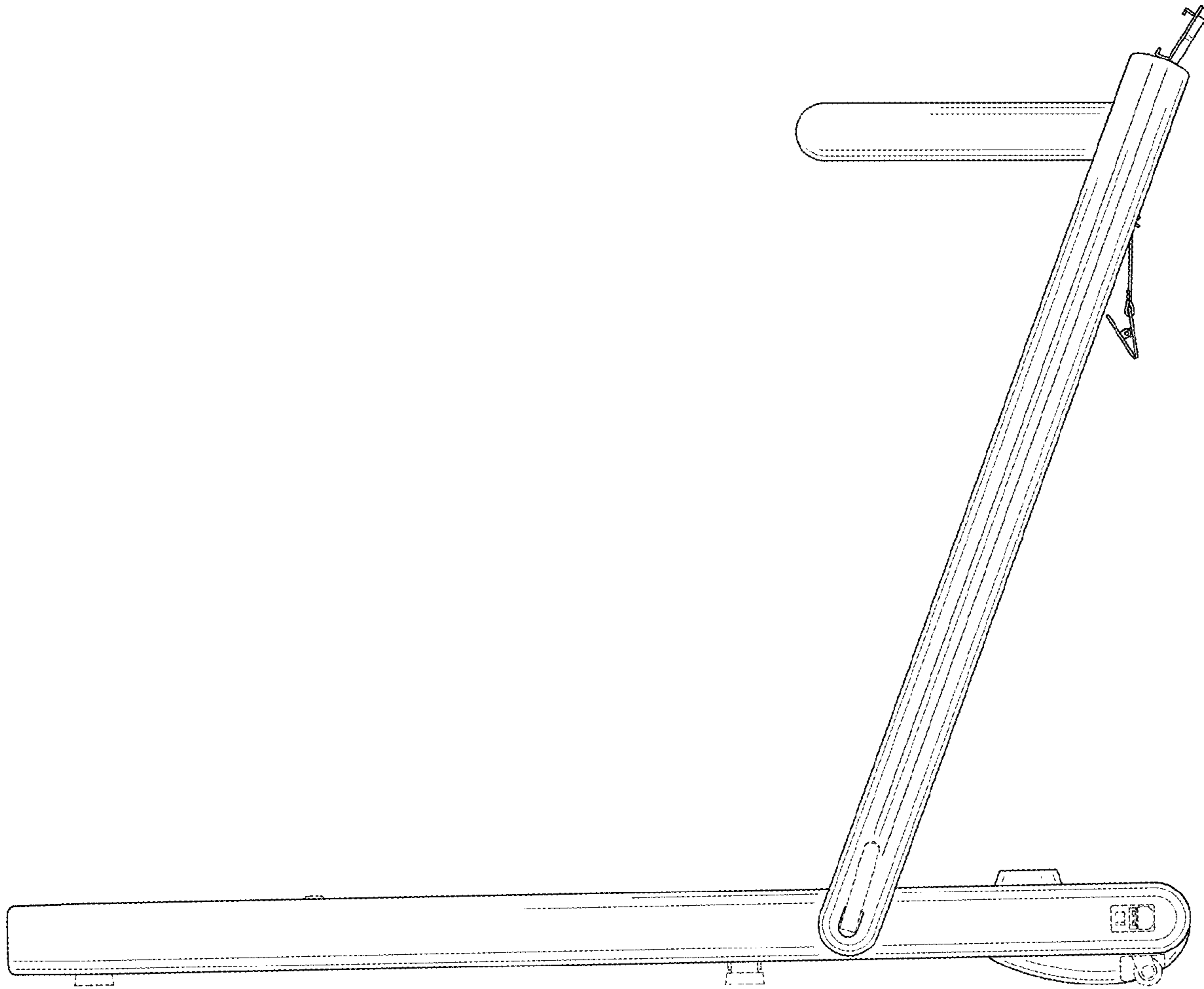


FIG. 5

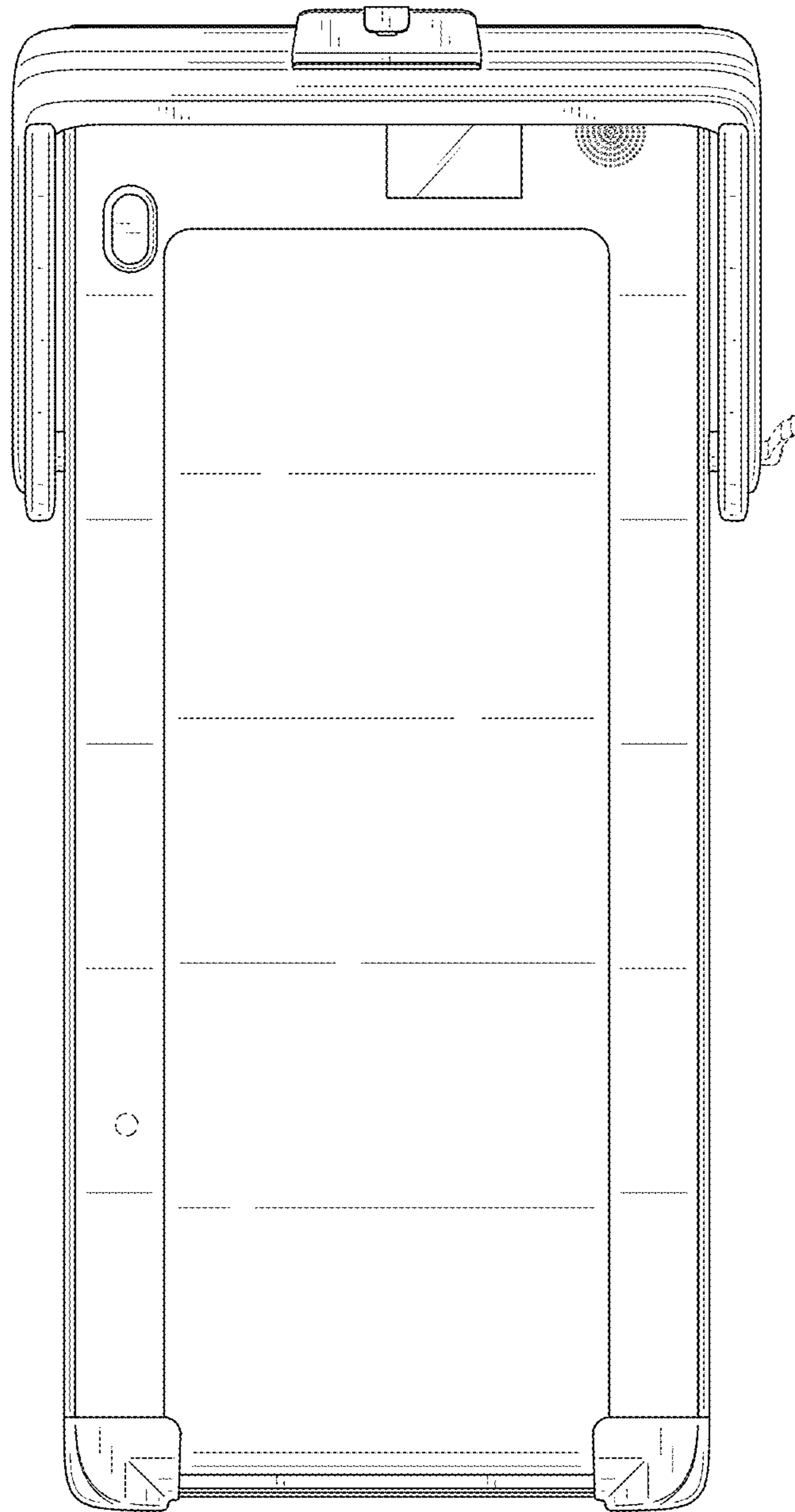


FIG. 6



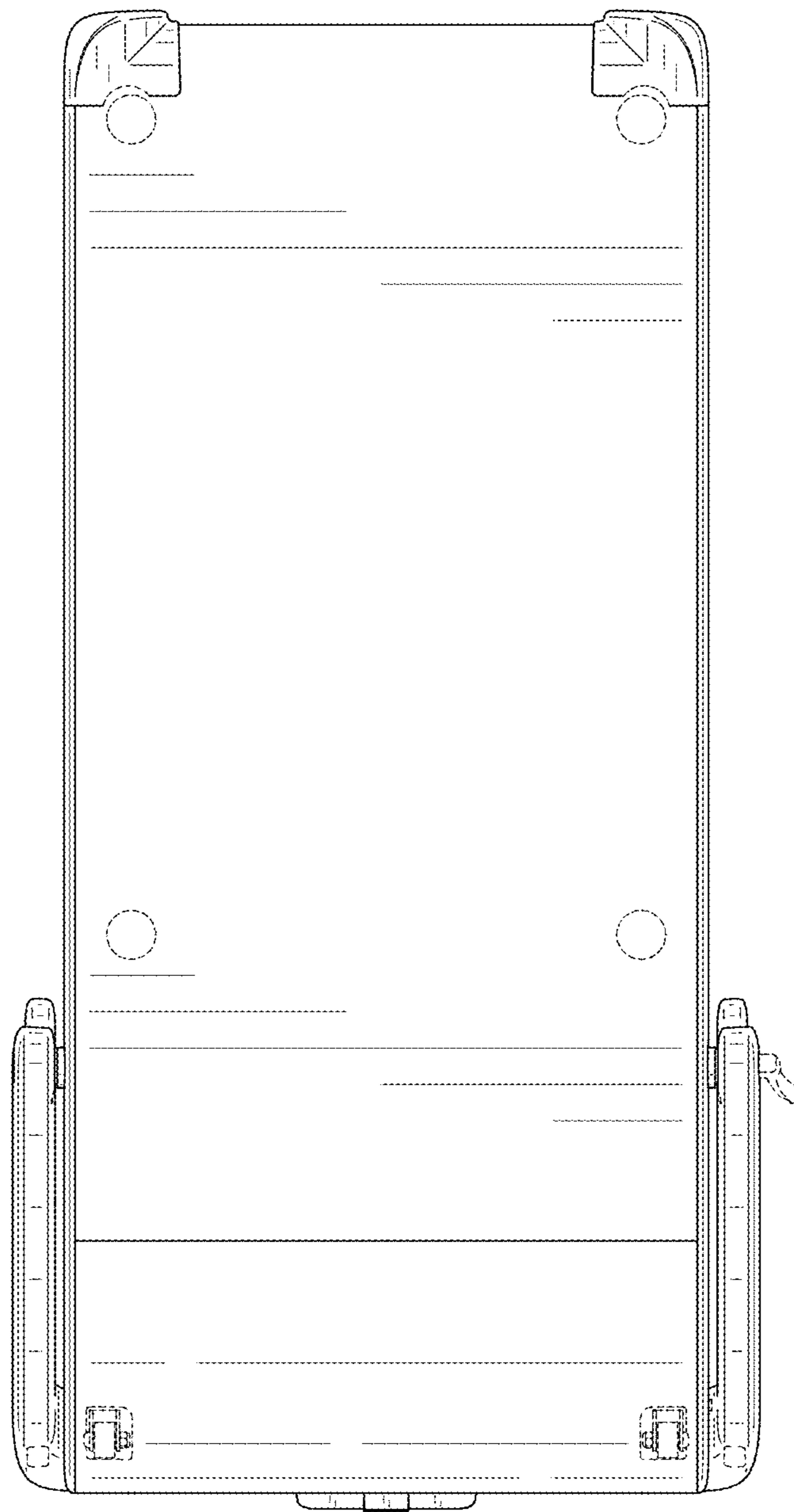


FIG. 7