



US00D889566S

(12) **United States Design Patent**  
**Ewing et al.**

(10) **Patent No.:** **US D889,566 S**  
(45) **Date of Patent:** **\*\* Jul. 7, 2020**

(54) **WHEEL FOR A MODEL VEHICLE**

- (71) Applicant: **TRAXXAS LP**, McKinney, TX (US)
- (72) Inventors: **Adam Cole Ewing**, McKinney, TX (US); **Jory Sprowl**, Honey Grove, TX (US); **Otto Karl Allmendinger**, Rowlett, TX (US); **Kent Poteet**, Lucas, TX (US)
- (73) Assignee: **TRAXXAS LP**, McKinney, TX (US)
- (\*\*) Term: **15 Years**

- (21) Appl. No.: **29/678,359**
- (22) Filed: **Jan. 28, 2019**
- (51) **LOC (12) Cl.** ..... **21-01**
- (52) **U.S. Cl.**  
USPC ..... **D21/563**
- (58) **Field of Classification Search**  
USPC ..... D21/533, 548-561, 563, 779;  
D12/204-213  
CPC ..... A63H 17/262; B60B 21/00; B60B 5/00;  
B60B 5/02  
See application file for complete search history.

(56) **References Cited**

**U.S. PATENT DOCUMENTS**

D316,731 S *	5/1991	Tsuchiya	.....	D21/550
D420,637 S	2/2000	Glade		
D444,118 S *	6/2001	Chung	.....	D12/211
D466,067 S	11/2002	Muzzarelli		
D469,728 S	2/2003	Kataoka		
D481,982 S	11/2003	Takechi		
D492,234 S	6/2004	Kataoka		
D499,683 S *	12/2004	Kushartanto	.....	D12/209
D500,006 S *	12/2004	Cahyono	.....	D12/211
D524,216 S *	7/2006	Scheu	.....	D12/211
D530,757 S *	10/2006	Jones	.....	D21/563

(Continued)

**FOREIGN PATENT DOCUMENTS**

TW	D114104 S	12/2006
TW	D141989 S	8/2011
TW	D143556 S	11/2011

**OTHER PUBLICATIONS**

KMD XD Series XD228 Machete Desert Beadlock Machined Custom Wheels Rims; <http://www.customwheelsexpress.com/custom-wheels-by-brand-xd-series-by-kmc-kmc-xd-series-xd228-machete-desert-beadlock-machined-custom-wheels-rims-p-2930.html>; Aug. 2016.

(Continued)

*Primary Examiner* — Cynthia M. Chin

(74) *Attorney, Agent, or Firm* — Daryl R. Wright; Greg Carr

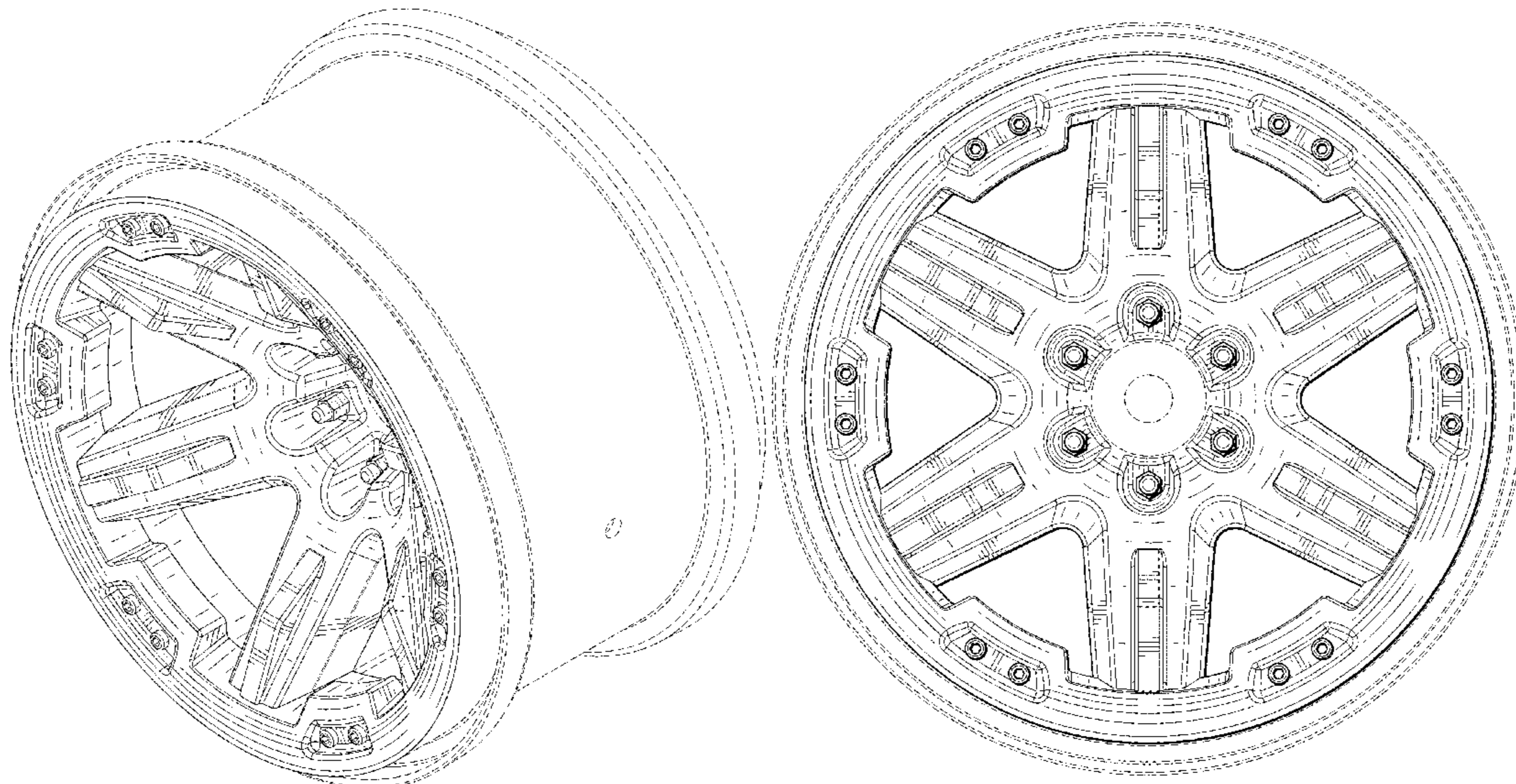
(57) **CLAIM**

We claim the ornamental design for a wheel for a model vehicle, as shown and described.

**DESCRIPTION**

FIG. 1 is an upper, left, rear perspective view of a wheel for a model vehicle;  
 FIG. 2 is front elevation view thereof, the rear elevation view being a mirror image thereof;  
 FIG. 3 is a right side elevation view thereof;  
 FIG. 4 is a left side elevation view thereof;  
 FIG. 5 is a top plan view thereof, the bottom plan view being a mirror image thereof; and,  
 FIG. 6 is an upper, right, rear perspective view.  
 In the drawings, the broken line showing of features of the wheel for a model vehicle illustrate portions of the tire for a model vehicle that form no part of the claimed design. In the drawings, only the front plan view and top plan view are shown. The corresponding rear plan view and bottom plan view are mirror images of the front plan view and top plan view and are included in the scope of the claim.

**1 Claim, 6 Drawing Sheets**



(56)

References Cited

U.S. PATENT DOCUMENTS

D534,968 S 1/2007 Proch  
 D536,293 S 2/2007 Brouillette et al.  
 D543,493 S 5/2007 Kim  
 D546,264 S 7/2007 Young  
 D569,778 S 5/2008 Kim  
 D570,758 S 6/2008 Bhambra  
 D579,398 S 10/2008 Kim  
 D583,292 S 12/2008 Chung  
 D587,181 S 2/2009 Musser  
 D590,322 S 4/2009 Rak  
 D597,012 S 7/2009 Chung  
 D603,778 S 11/2009 Chung  
 D614,108 S 4/2010 Varga  
 D617,722 S 6/2010 Zhao  
 D619,072 S 7/2010 Gallert  
 D627,698 S 11/2010 Zhang  
 D628,135 S 11/2010 Zhao  
 D633,028 S 2/2011 Kim  
 D636,319 S 4/2011 Toth  
 D639,220 S 6/2011 Zhao  
 D662,868 S 7/2012 Furst et al.  
 D663,668 S 7/2012 Pollmann  
 D670,227 S 11/2012 Chung  
 D671,875 S 12/2012 Camacho et al.  
 D688,188 S 8/2013 Baum  
 D697,008 S 1/2014 Juergens et al.  
 D697,010 S 1/2014 Lorinser  
 D719,893 S 12/2014 Kim  
 D727,822 S 4/2015 Wheel  
 D727,829 S 4/2015 Chung  
 D729,721 S 5/2015 Fahr-Becker  
 D730,799 S 6/2015 Hans et al.  
 D741,240 S 10/2015 Melabiotis et al.  
 D743,315 S 11/2015 Perini

D753,048 S \* 4/2016 Chan ..... D12/211  
 D753,571 S 4/2016 Juergens et al.  
 D769,169 S 10/2016 Kumeya et al.  
 D769,785 S \* 10/2016 Wells ..... D12/211  
 D780,654 S 3/2017 Gallert  
 D784,238 S 4/2017 Chu et al.  
 D784,462 S \* 4/2017 Barajas ..... D21/563  
 D787,407 S \* 5/2017 Chung ..... D12/211  
 D790,427 S 6/2017 Palana  
 D791,057 S 7/2017 Johnson  
 D791,668 S 7/2017 Murase  
 D796,407 S 9/2017 Krause  
 D799,394 S \* 10/2017 Yamashita ..... D12/209  
 D803,130 S \* 11/2017 Taylor ..... D12/209  
 D805,455 S 12/2017 Kong  
 D805,990 S 12/2017 Mizutani  
 D806,628 S 1/2018 Schell et al.  
 D828,462 S \* 9/2018 Sprowl ..... D21/563  
 D828,878 S \* 9/2018 Sprowl ..... D21/563  
 D842,205 S \* 3/2019 Kraljevic ..... D12/209  
 D842,795 S \* 3/2019 Groth ..... D12/209  
 D849,645 S \* 5/2019 Khachatryan ..... D12/209  
 D862,612 S \* 10/2019 Sprowl ..... D21/563  
 D865,080 S \* 10/2019 Sprowl ..... D21/563  
 2017/0080350 A1 \* 3/2017 Allmendinger ..... A63H 17/262

OTHER PUBLICATIONS

MSA M21 LOK (Beadlock); <https://msawheels.com/wheels/m21-lok>; Aug. 2016.  
 OMF Performance Products; Beadlocked Wheels; [https://www.omfperformance.com/beadlocked\\_wheels\\_uq.php](https://www.omfperformance.com/beadlocked_wheels_uq.php); Aug. 2016.  
 Taiwan IPO Search Report dated Aug. 4, 2016; regarding Taiwan Design Patent Application No. 105301436.

\* cited by examiner

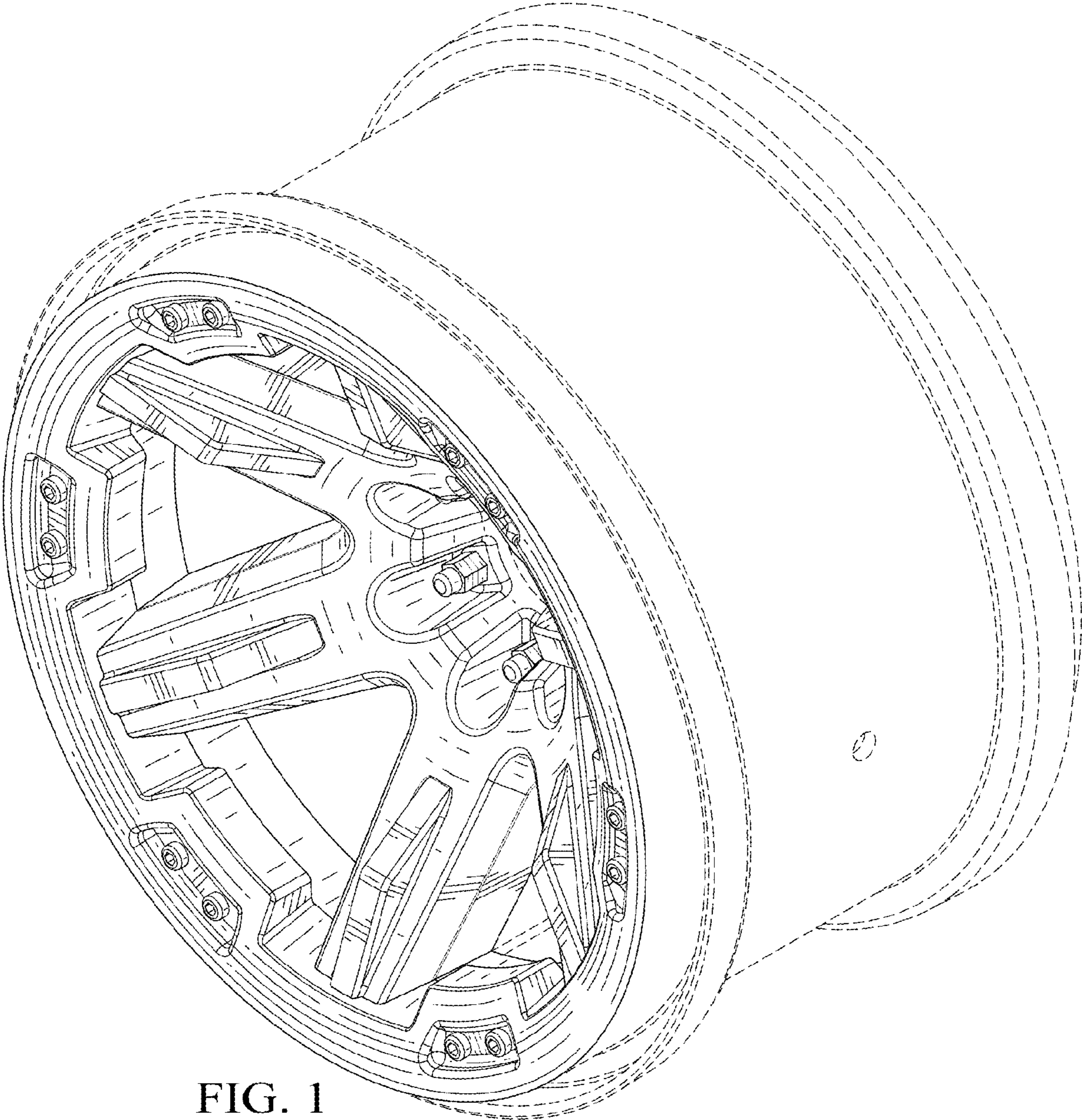


FIG. 1

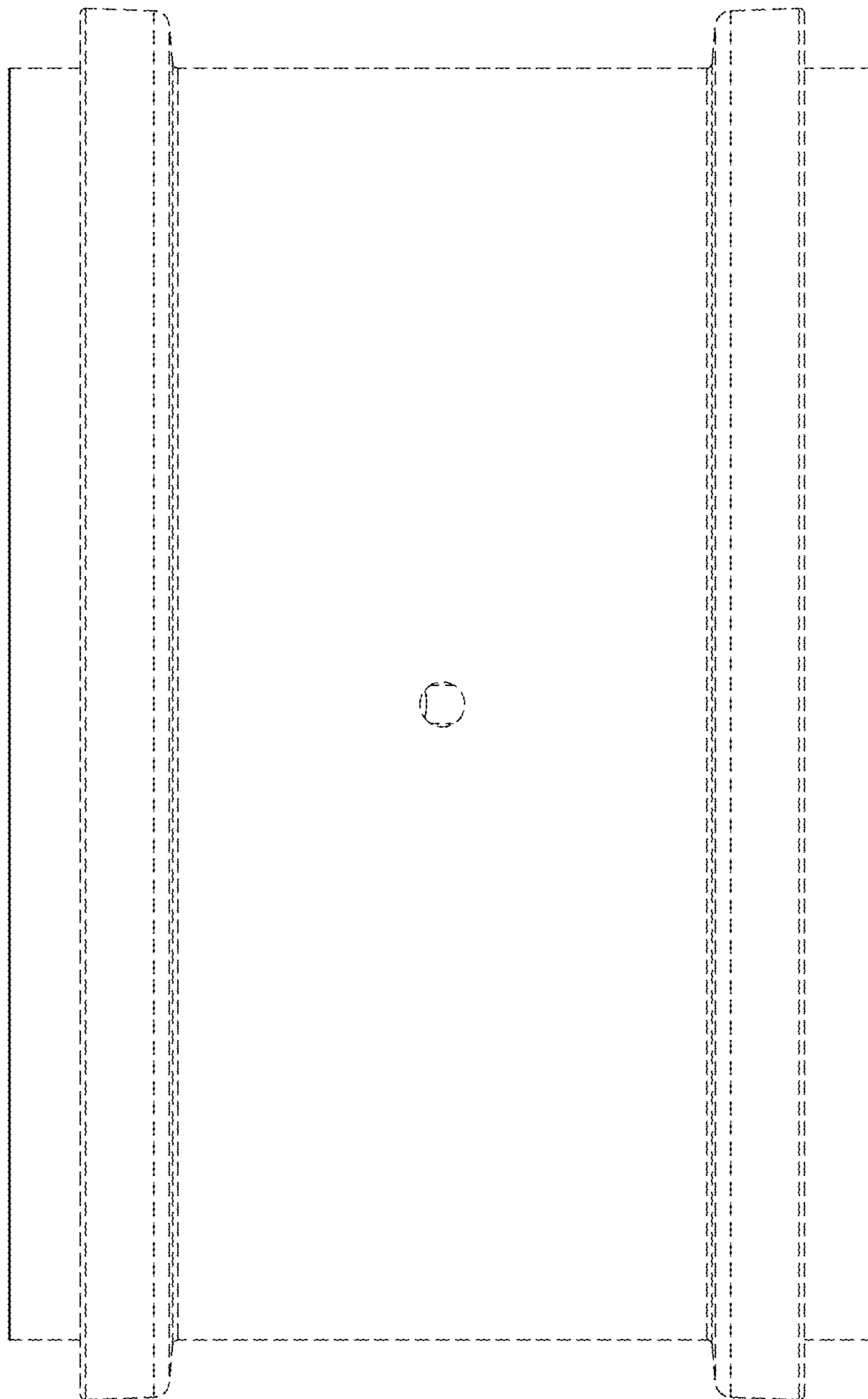


FIG. 2

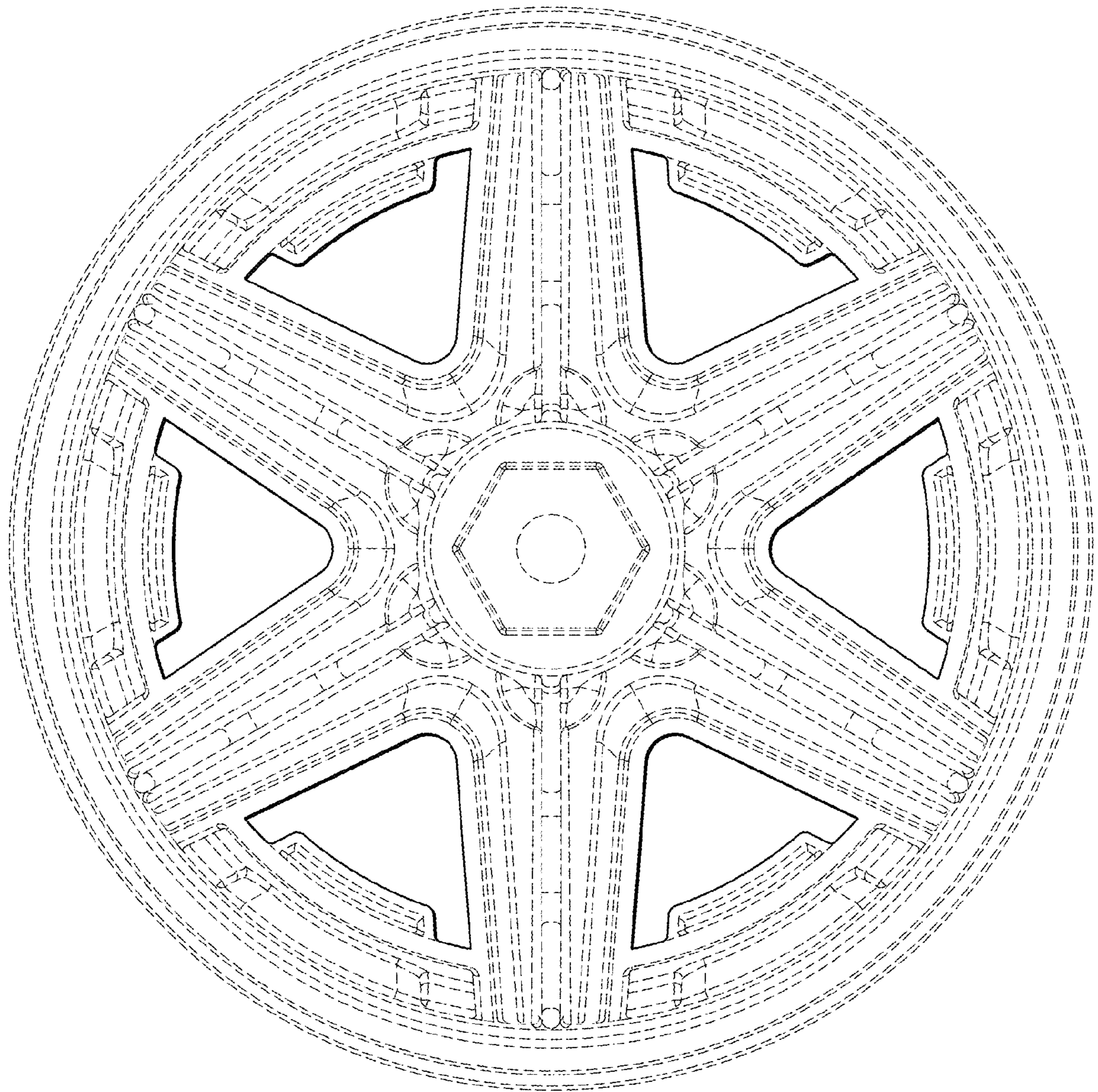


FIG. 3

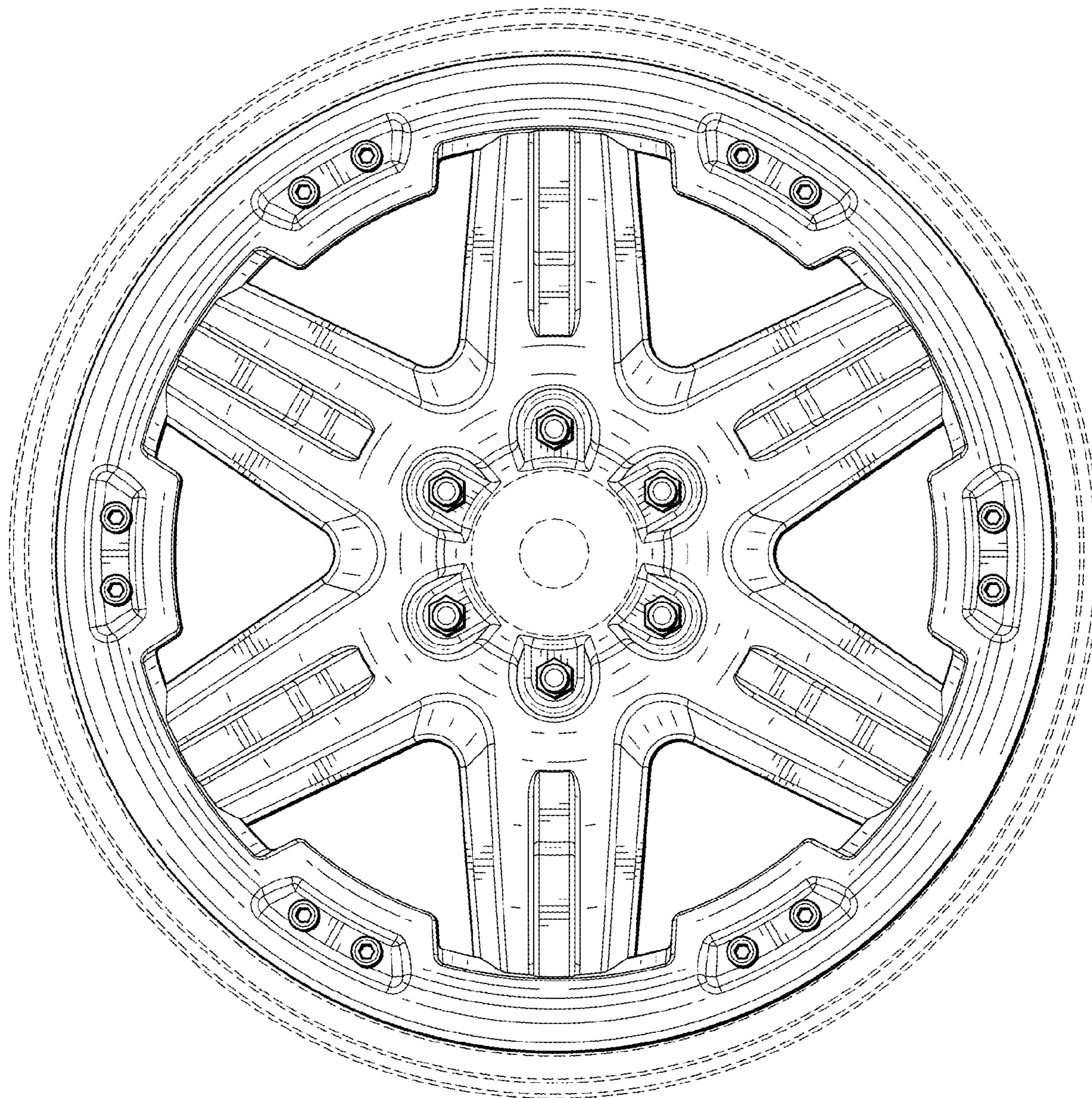


FIG. 4

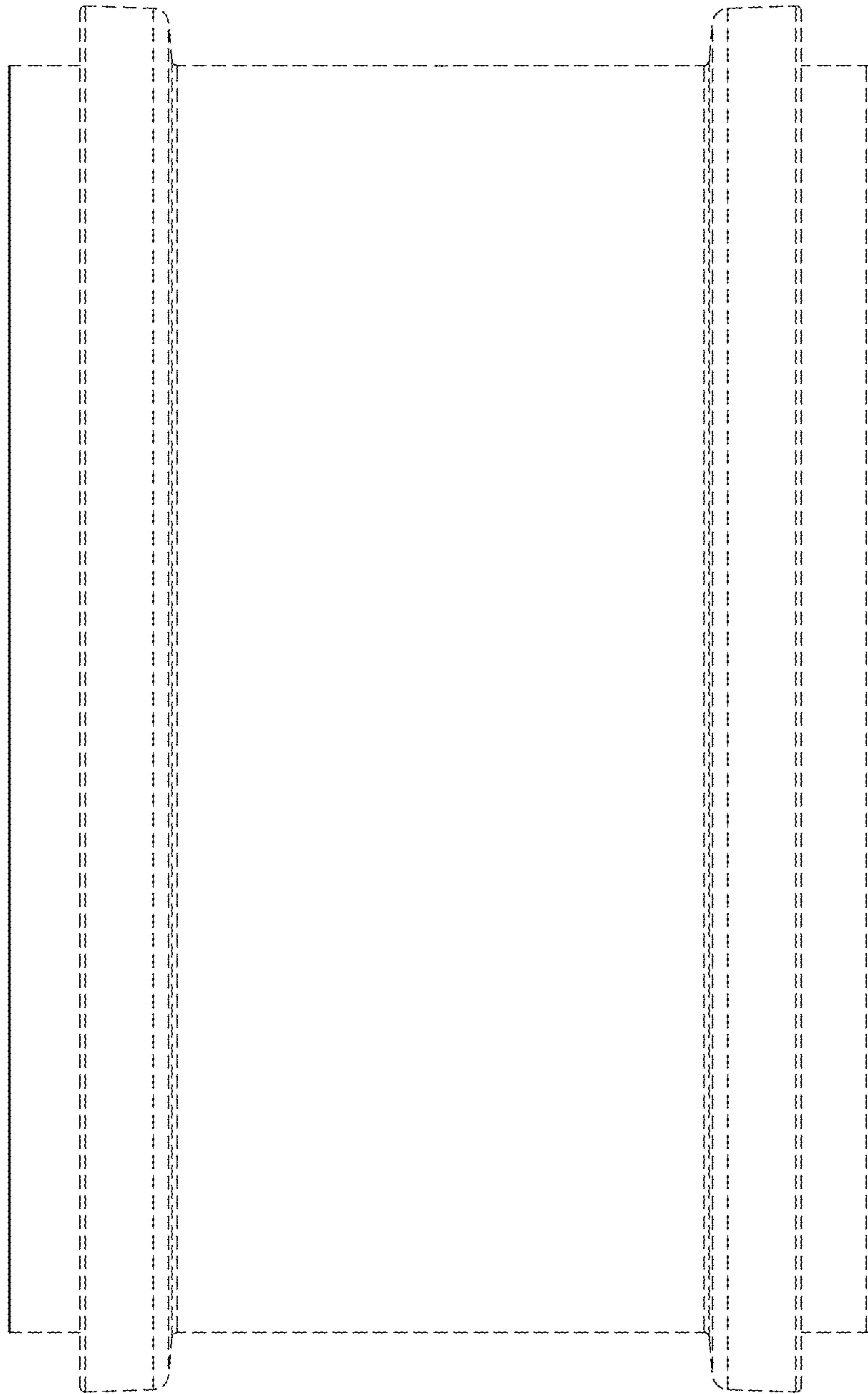


FIG. 5

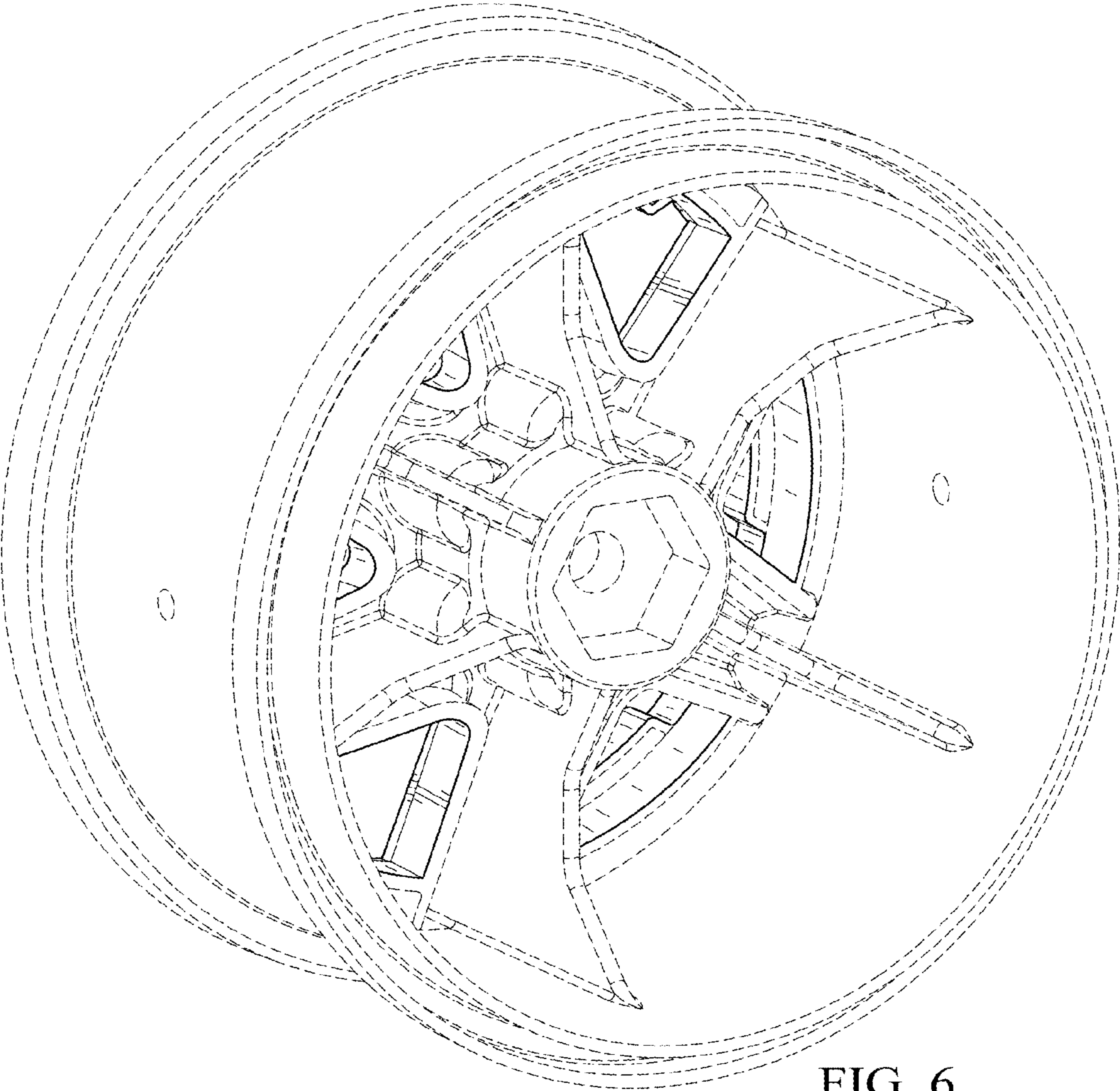


FIG. 6