



US00D889565S

(12) **United States Design Patent**  
**Sprowl**

(10) **Patent No.:** **US D889,565 S**  
(45) **Date of Patent:** **\*\* Jul. 7, 2020**

(54) **WHEEL FOR A MODEL VEHICLE**

FOREIGN PATENT DOCUMENTS

(71) Applicant: **Traxxas, LP**, McKinney, TX (US)

TW D114104 S 12/2006

(72) Inventor: **Jory Sprowl**, Wolfe City, TX (US)

TW D141989 S 8/2011

TW D143556 S 11/2011

(73) Assignee: **TRAXXAS LP**, McKinney, TX (US)

OTHER PUBLICATIONS

(\*\*) Term: **15 Years**

KMD XD Series XD228 Machete Desert Beadlock Machined Custom Wheels Rims; <http://www.customwheelsexpress.com/custom-wheels-by-brand-xd-series-by-kmc-kmc-xd-series-xd228-machete-desert-beadlock-machined-custom-wheels-rims-p-2930.html>; Aug. 2016.

(21) Appl. No.: **29/646,942**

(Continued)

(22) Filed: **May 8, 2018**

(51) **LOC (12) Cl.** ..... **21-01**

(52) **U.S. Cl.**

USPC ..... **D21/563**

(58) **Field of Classification Search**

USPC ..... D21/533, 548-561, 563, 779;  
D12/204-213

CPC ..... A63H 17/262; B60B 21/00; B60B 5/00;  
B60B 5/02

See application file for complete search history.

*Primary Examiner* — Cynthia M. Chin

(74) *Attorney, Agent, or Firm* — Daryl R. Wright; Greg Carr

(57) **CLAIM**

I claim the ornamental design for a wheel for a model vehicle, as shown and described.

(56) **References Cited**

**DESCRIPTION**

U.S. PATENT DOCUMENTS

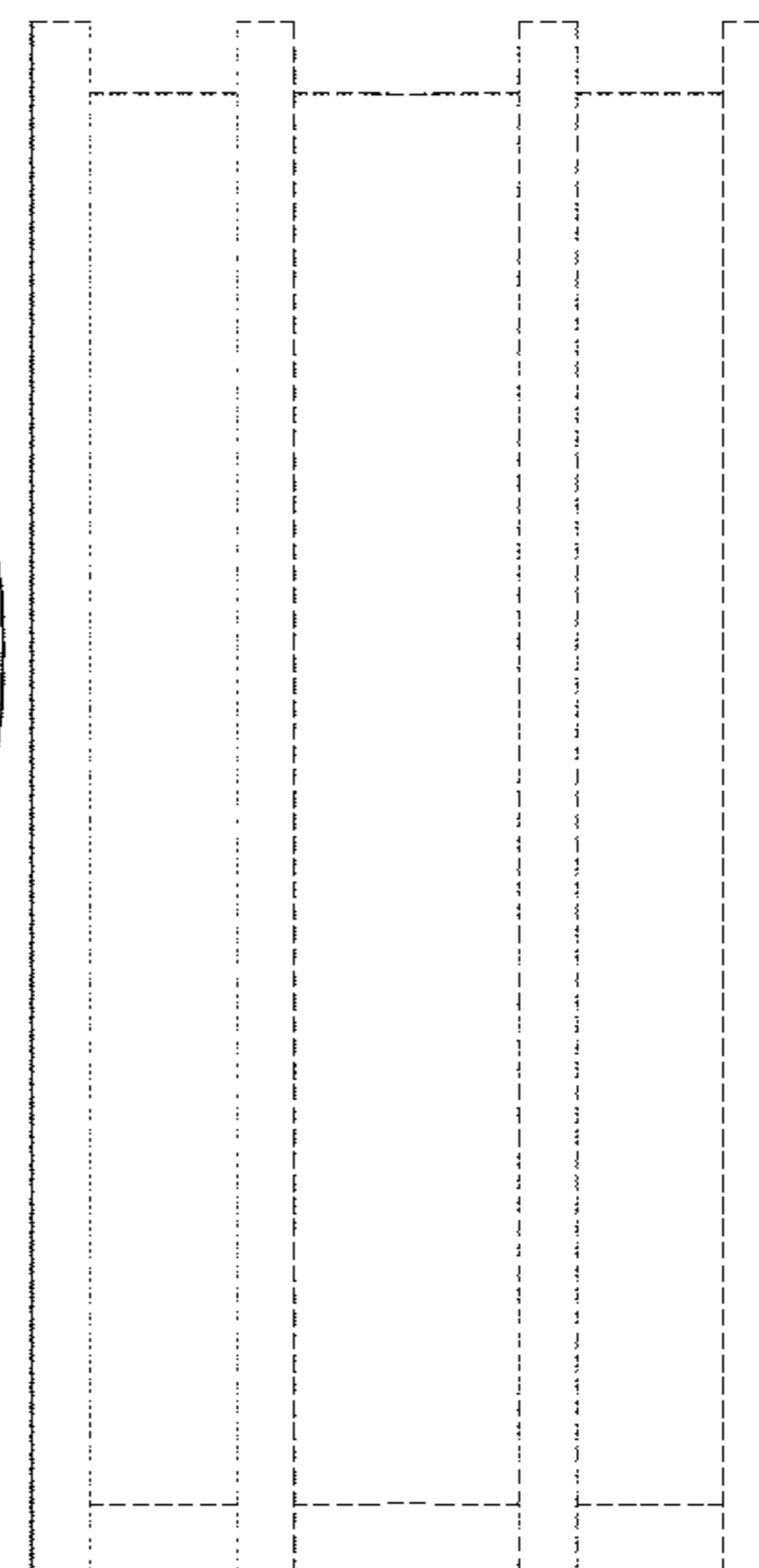
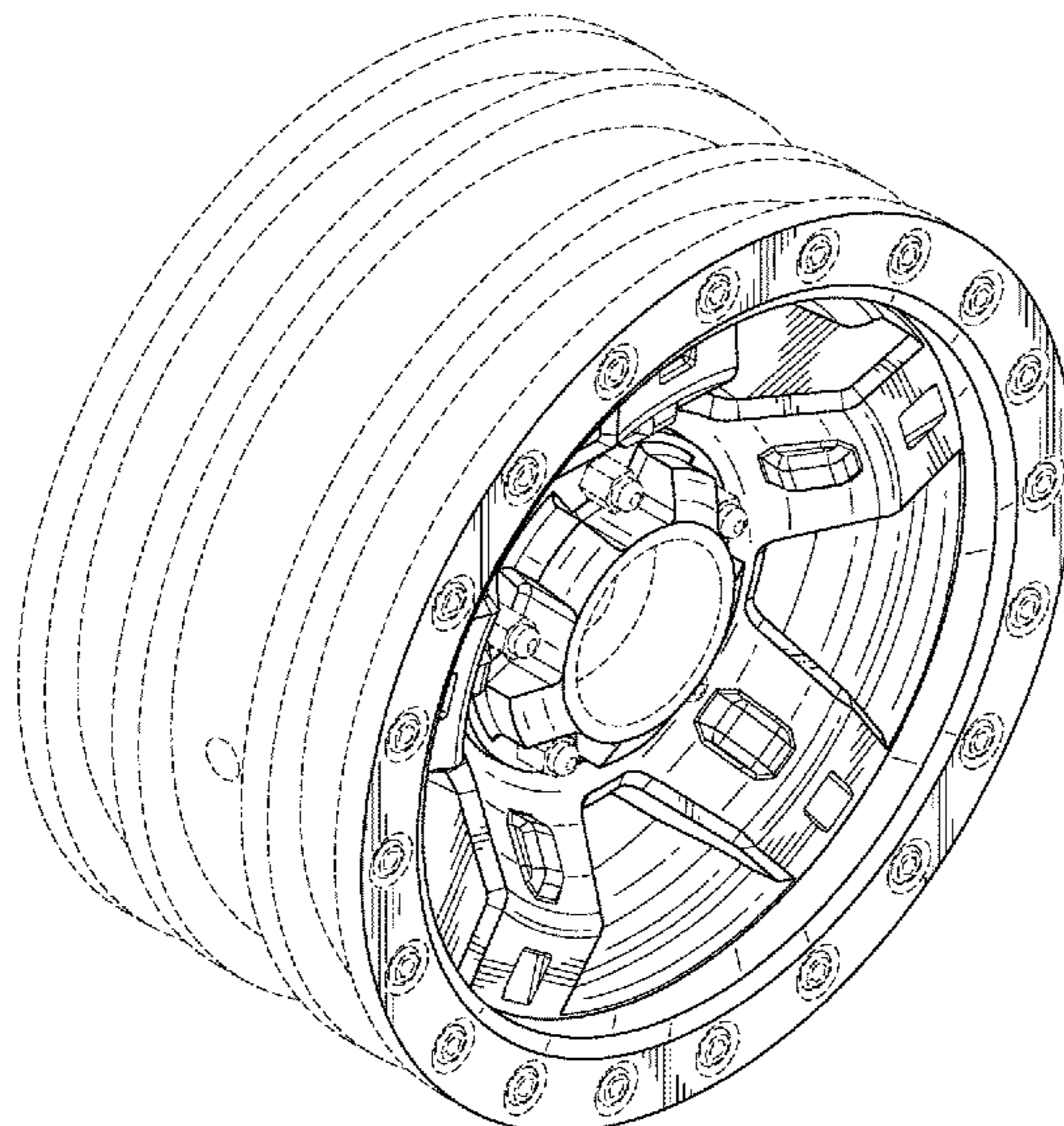
D316,731 S *	5/1991	Tsuchiya	.....	D21/550
D420,637 S	2/2000	Glade		
D444,118 S *	6/2001	Chung	.....	D12/211
D466,067 S	11/2002	Muzzarelli		
D469,728 S	2/2003	Kataoka		
D481,982 S	11/2003	Takechi		
D492,234 S	6/2004	Kataoka		
D499,683 S *	12/2004	Kushartanto	.....	D12/209
D500,006 S *	12/2004	Cahyono	.....	D12/211
D524,216 S *	7/2006	Scheu	.....	D12/211
D530,757 S *	10/2006	Jones	.....	D21/563
D534,968 S	1/2007	Proch		
D536,293 S	2/2007	Brouillette et al.		
D543,493 S	5/2007	Kim		
D546,264 S	7/2007	Young		
D569,778 S	5/2008	Kim		
D570,758 S	6/2008	Bhambra		
D579,398 S	10/2008	Kim		

(Continued)

FIG. 1 is an upper, left, front perspective view of a wheel for a model vehicle;  
FIG. 2 is a left elevation view thereof;  
FIG. 3 is a right elevation view thereof;  
FIG. 4 is a rear elevation view thereof; and,  
FIG. 5 is an upper, left, front perspective environmental use view.

In the drawings, the broken line showing of features of the wheel for a model vehicle illustrate portions of the wheel for a model vehicle that form no part of the claimed design; whereas, the broken line showing of the environmental use view depicts environmental subject matter and is provided for the purposes of illustrating environmental use structure and context and forms no part of the claimed design.

**1 Claim, 5 Drawing Sheets**



(56)

References Cited

U.S. PATENT DOCUMENTS

D583,292 S 12/2008 Chung  
 D587,181 S 2/2009 Musser  
 D590,322 S 4/2009 Rak  
 D597,012 S 7/2009 Chung  
 D603,778 S 11/2009 Chung  
 D614,108 S 4/2010 Varga  
 D617,722 S 6/2010 Zhao  
 D619,072 S 7/2010 Gallert  
 D627,698 S 11/2010 Zhang  
 D628,135 S 11/2010 Zhao  
 D633,028 S 2/2011 Kim  
 D636,319 S 4/2011 Toth  
 D639,220 S 6/2011 Zhao  
 D662,868 S 7/2012 Furst et al.  
 D663,668 S 7/2012 Pollmann  
 D670,227 S 11/2012 Chung  
 D671,875 S 12/2012 Camacho et al.  
 D688,188 S 8/2013 Baum  
 D697,008 S 1/2014 Juergens et al.  
 D697,010 S 1/2014 Lorinser  
 D719,893 S 12/2014 Kim  
 D727,822 S 4/2015 Wheel  
 D727,829 S 4/2015 Chung  
 D729,721 S 5/2015 Fahr-Becker  
 D730,799 S 6/2015 Hans et al.  
 D741,240 S 10/2015 Melabiotis et al.  
 D743,315 S 11/2015 Perini  
 D753,048 S \* 4/2016 Chan ..... D12/211  
 D753,571 S 4/2016 Juergens et al.  
 D769,169 S 10/2016 Kumeya et al.

D769,785 S \* 10/2016 Wells ..... D12/211  
 D780,654 S 3/2017 Gallert  
 D784,238 S 4/2017 Chu et al.  
 D784,462 S \* 4/2017 Barajas ..... D21/563  
 D787,407 S \* 5/2017 Chung ..... D12/211  
 D790,427 S 6/2017 Palana  
 D791,057 S 7/2017 Johnson  
 D791,668 S 7/2017 Murase  
 D796,407 S 9/2017 Krause  
 D799,394 S \* 10/2017 Yamashita ..... D12/209  
 D803,130 S \* 11/2017 Taylor ..... D12/209  
 D805,455 S 12/2017 Kong  
 D805,990 S 12/2017 Mizutani  
 D806,628 S 1/2018 Schell et al.  
 D828,462 S \* 9/2018 Sprowl ..... D21/563  
 D828,878 S \* 9/2018 Sprowl ..... D21/563  
 D842,205 S \* 3/2019 Kraljevic ..... D12/209  
 D842,795 S \* 3/2019 Groth ..... D12/209  
 D849,645 S \* 5/2019 Khachatryan ..... D12/209  
 D862,612 S \* 10/2019 Sprowl ..... D21/563  
 D865,080 S \* 10/2019 Sprowl ..... D21/563  
 2017/0080350 A1 \* 3/2017 Allmendinger ..... A63H 17/262

OTHER PUBLICATIONS

MSA M21 LOK (Beadlock); <https://msawheels.com/wheels/m21-lok/>; Aug. 2016.  
 OMF Performance Products; Beadlocked Wheels; [https://www.omfperformance.com/beadlocked\\_wheels\\_uq.php](https://www.omfperformance.com/beadlocked_wheels_uq.php); Aug. 2016.  
 Taiwan IPO Search Report; completed Aug. 4, 2016; regarding Taiwan Design Patent Application No. 105301436.

\* cited by examiner

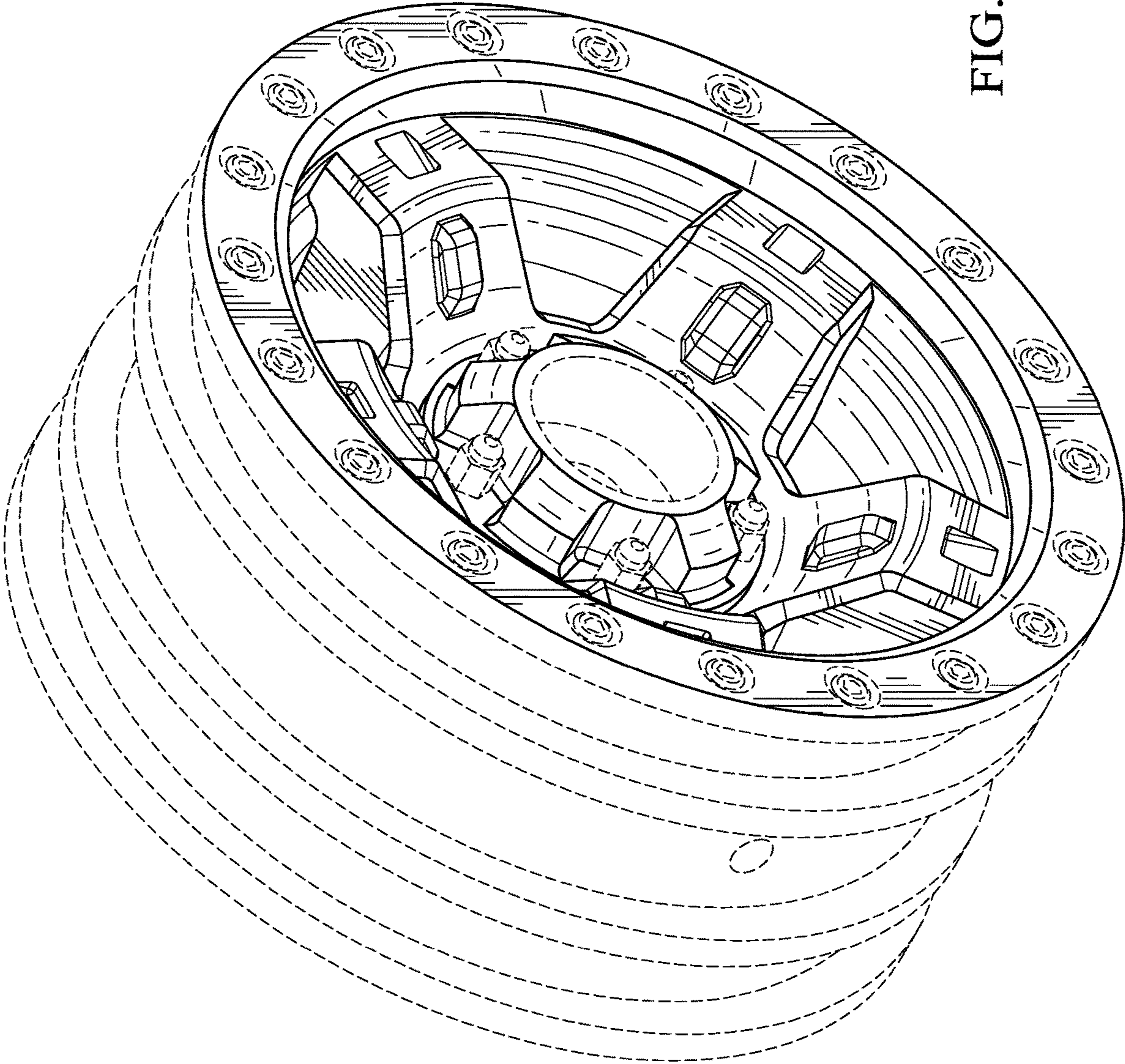


FIG. 1

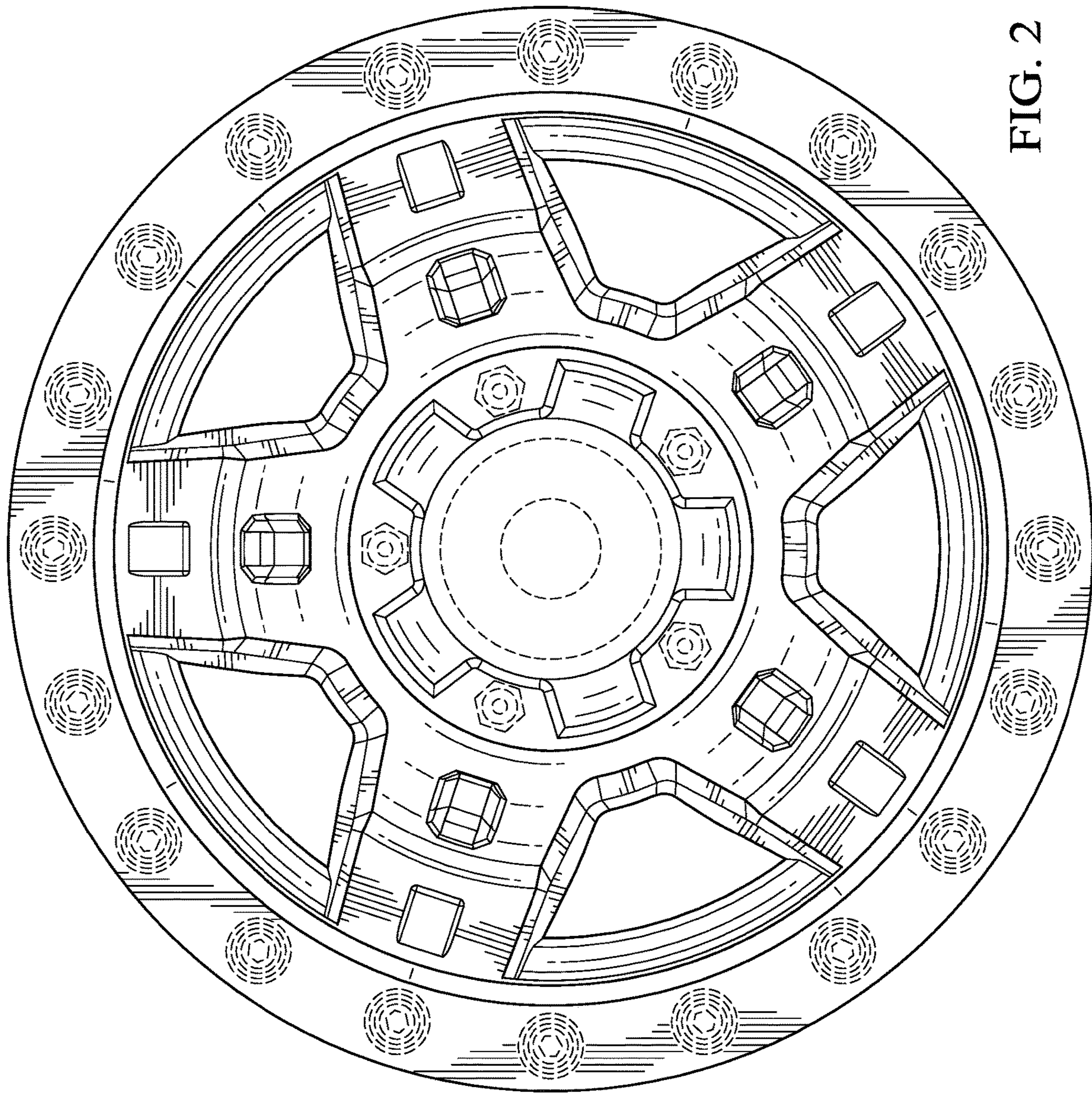


FIG. 2

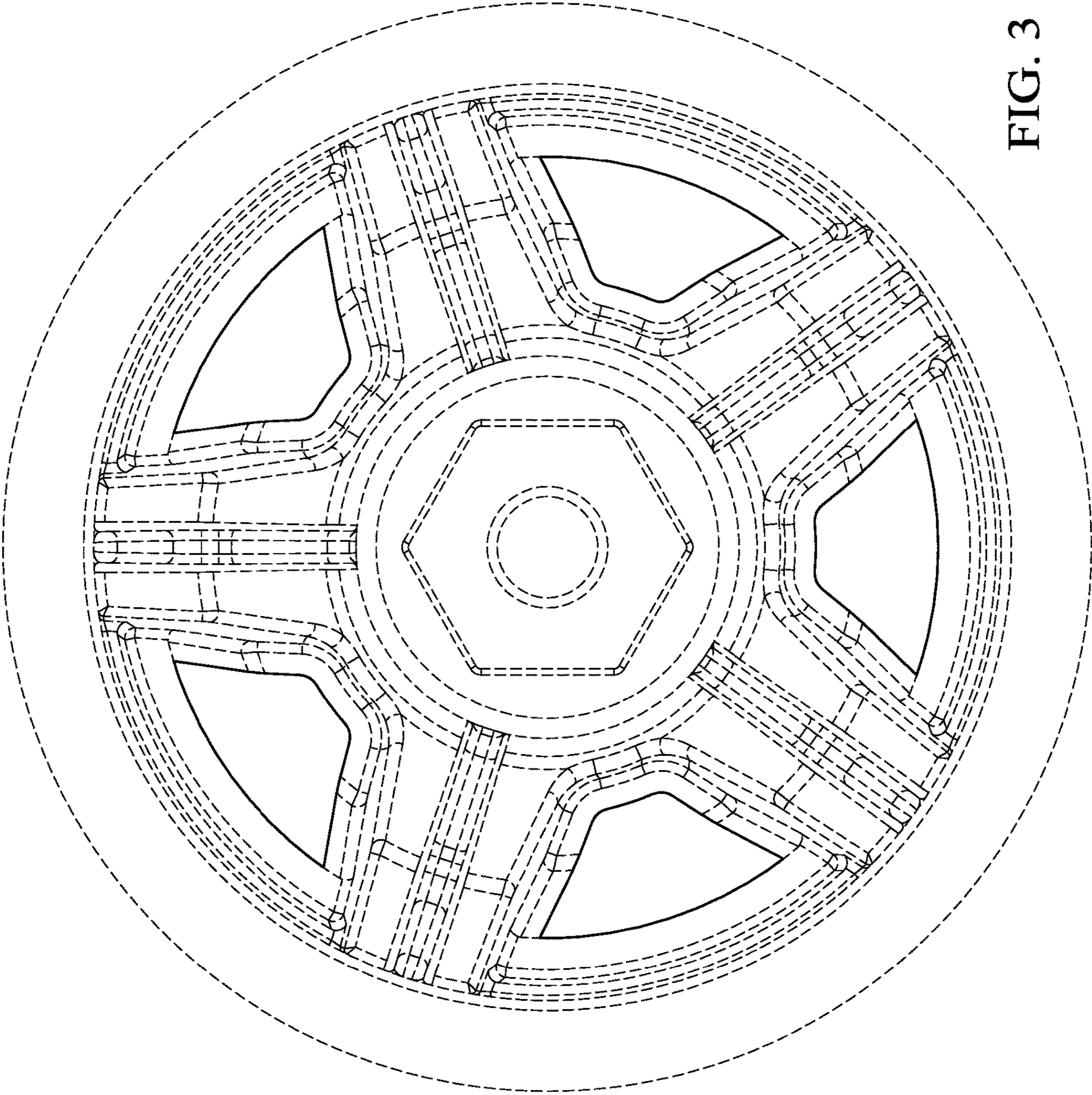
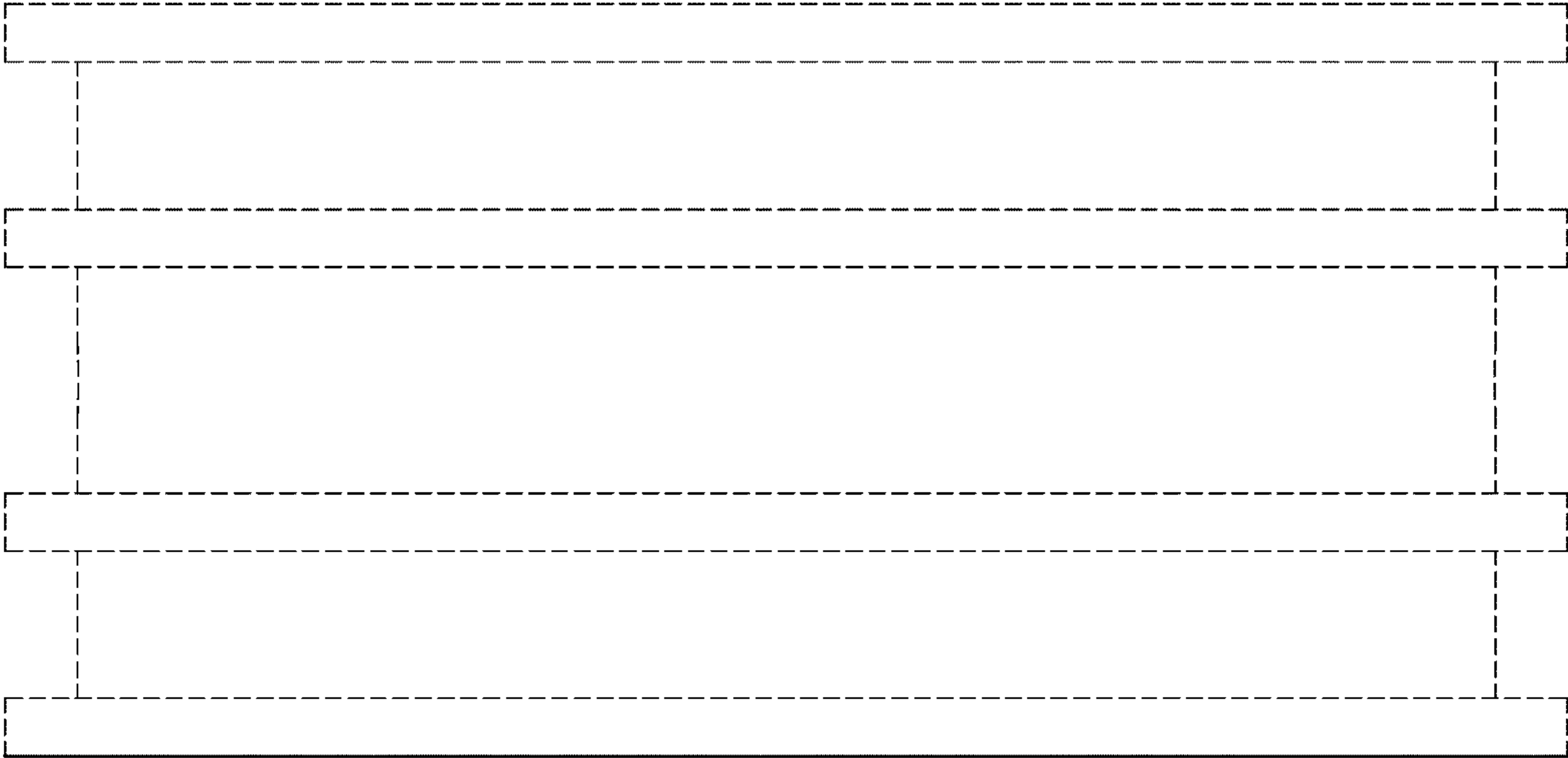


FIG. 3

FIG. 4



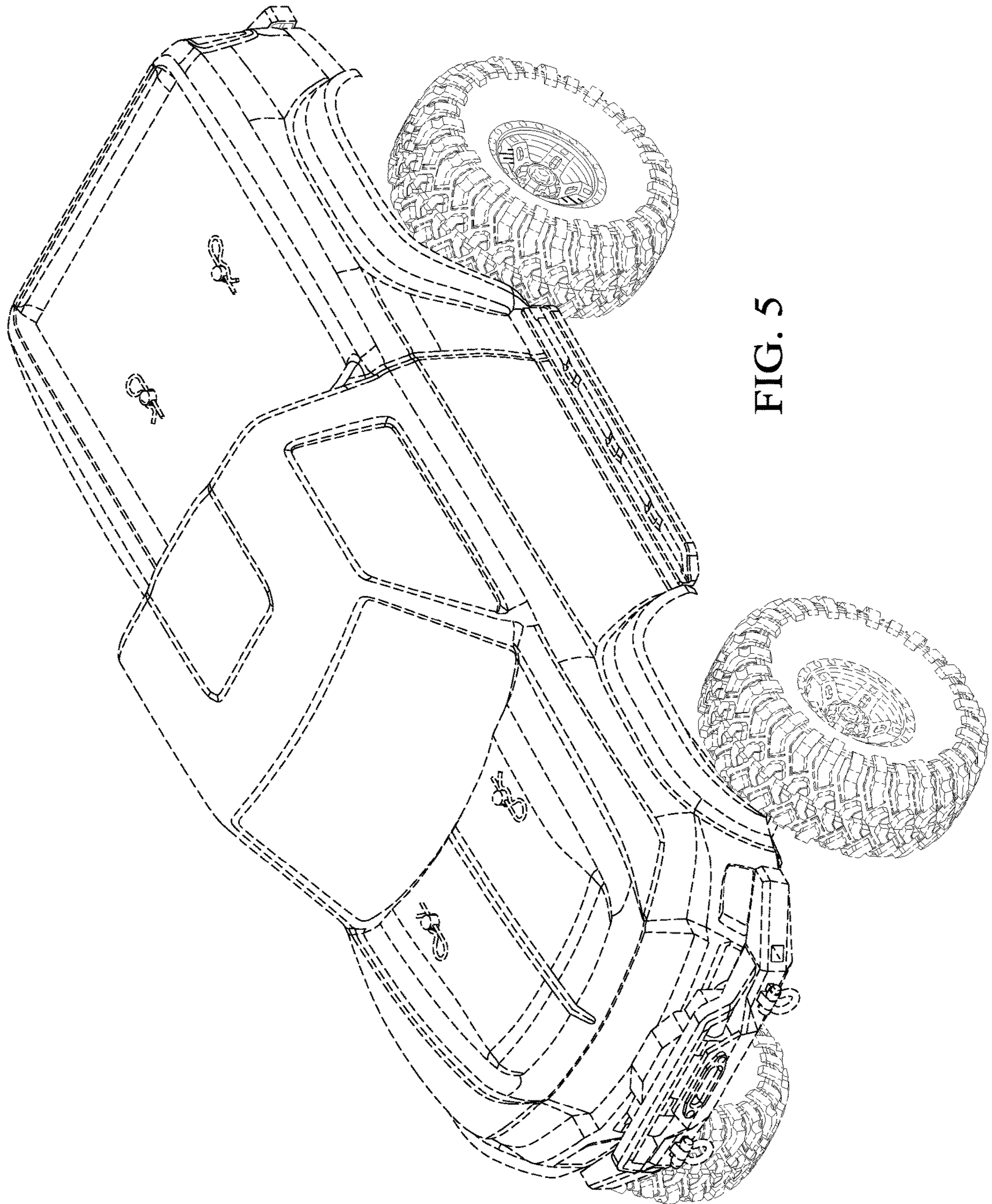


FIG. 5